



US00D617464S

(12) **United States Design Patent**  
**Weaver, II et al.**

(10) **Patent No.:** **US D617,464 S**  
(45) **Date of Patent:** **\*\* Jun. 8, 2010**

(54) **WRIST BRACE**

(75) Inventors: **Edward L. Weaver, II**, Milford, OH (US); **Shaelyn D. Benson**, St. Paul, MN (US); **Beth E. Gramza**, Cincinnati, OH (US); **Sherry A. Hinds**, Goshen, OH (US)

(73) Assignee: **3M Innovative Properties Company**, St. Paul, MN (US)

(\*\*) Term: **14 Years**

(21) Appl. No.: **29/340,062**

(22) Filed: **Jul. 13, 2009**

(51) **LOC (9) Cl.** ..... **24-01**

(52) **U.S. Cl.** ..... **D24/190**

(58) **Field of Classification Search** ..... D24/188-192, D24/206; D29/113, 120.1; 602/5-8, 20-22, 602/26, 43, 48, 54, 64, 75, 79; 128/DIG. 15, 128/DIG. 23, 77, 94, 96.1, 100.1, 101.1, 128/106.1, 107.1, 878; 604/332, 390, 397; 2/16, 21

See application file for complete search history.

(56) **References Cited**

**U.S. PATENT DOCUMENTS**

1,471,948	A *	10/1923	Cox et al.	602/22
2,206,404	A *	7/1940	Jones	602/21
4,883,073	A *	11/1989	Aziz	128/878
5,769,804	A *	6/1998	Harris et al.	602/21
5,982,285	A *	11/1999	Bueche et al.	340/573.1
6,024,715	A *	2/2000	Maxwell	602/64
D456,081	S *	4/2002	Bell et al.	D24/190
D461,600	S *	8/2002	Domanski et al.	D29/113
D477,409	S *	7/2003	Mills et al.	D24/190
D496,465	S *	9/2004	Weaver, II	D24/190
6,893,410	B1 *	5/2005	Hely	602/21
6,960,176	B1 *	11/2005	Hely et al.	602/21

7,056,298 B1 \* 6/2006 Weber ..... 602/22  
2006/0155226 A1 \* 7/2006 Grim et al. .... 602/6

\* cited by examiner

*Primary Examiner*—Philip S Hyder  
*Assistant Examiner*—Susan E Krakower  
(74) *Attorney, Agent, or Firm*—Lisa P. Fulton

(57) **CLAIM**

The ornamental design for a wrist brace, as shown and described.

**DESCRIPTION**

FIG. 1 is a perspective view of a first embodiment of a wrist brace for the left hand, showing our new design in closed condition on the environment of a left hand;

FIG. 2 is a top view thereof;

FIG. 3 is a side view thereof, as taken from the right side in FIG. 2;

FIG. 4 is a bottom view thereof;

FIG. 5 is a side view thereof, as taken from the left side of FIG. 2;

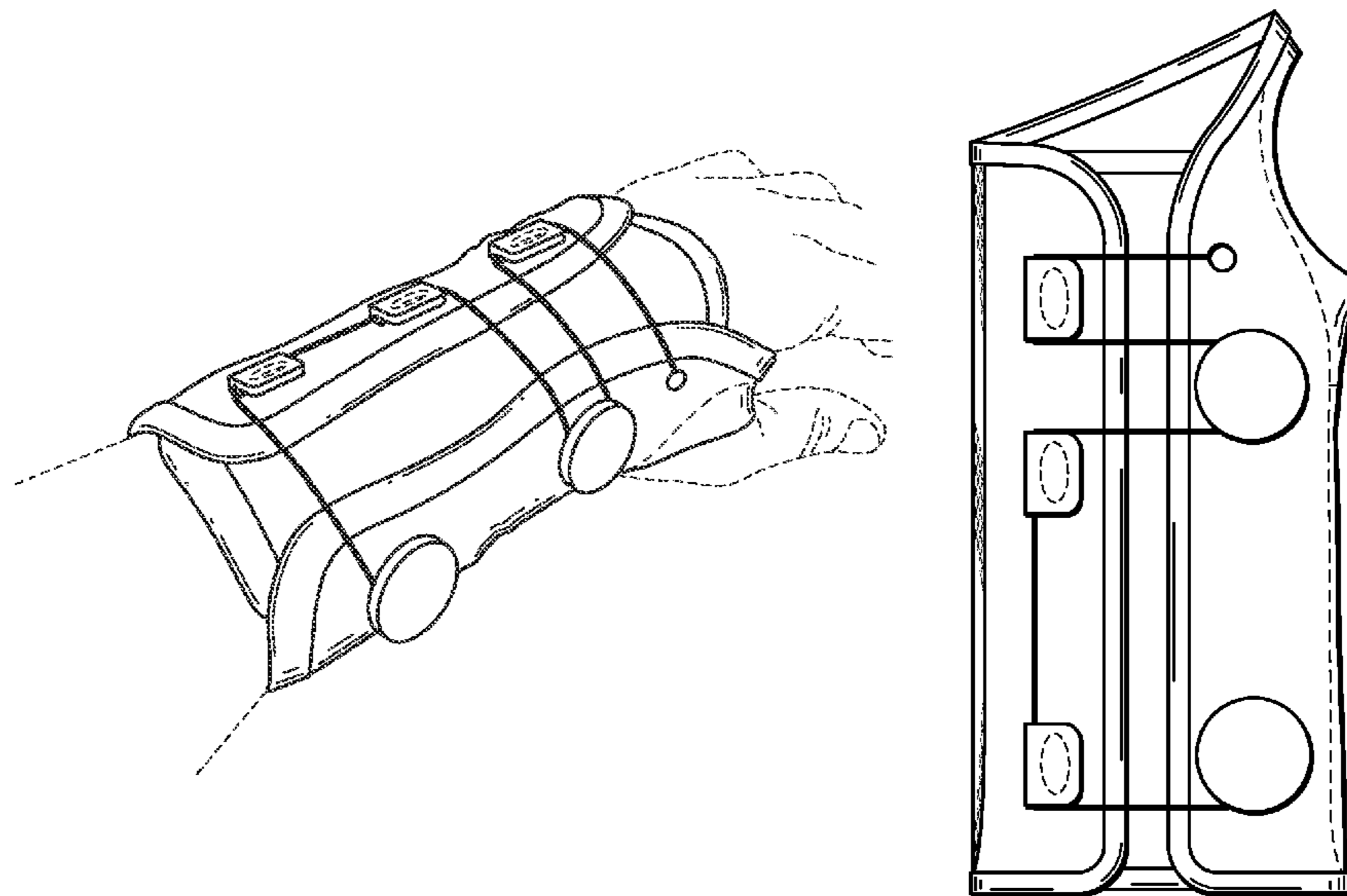
FIG. 6 is an end view thereof, as taken from the top of FIG. 2; and,

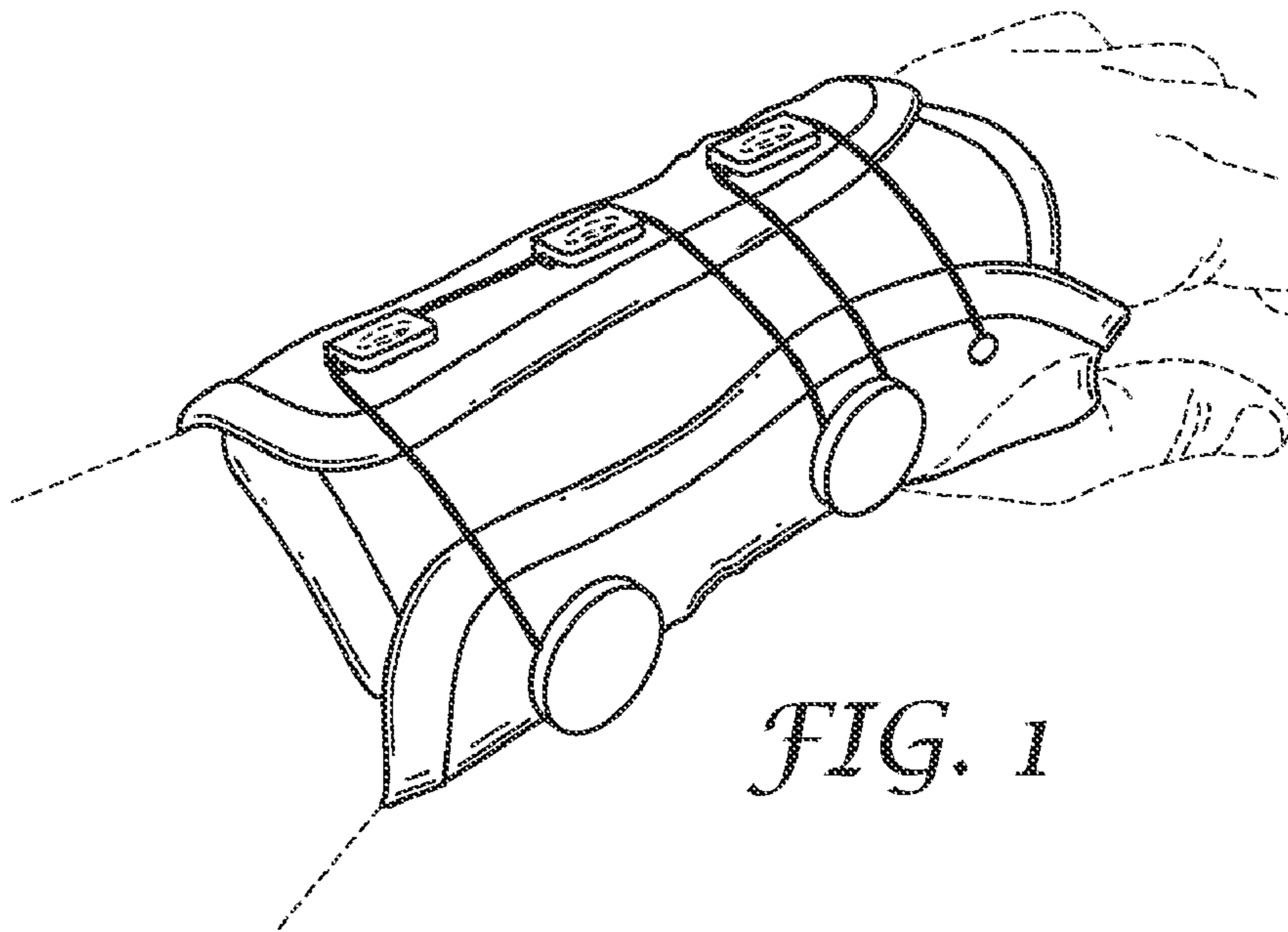
FIG. 7 is a end view thereof, as taken from the bottom of FIG. 2.

A second embodiment of the wrist brace for a right hand is a mirror image of the wrist brace shown in FIGS. 1-7. Our new, original, and ornamental design for a wrist brace includes embodiments for both left hands and right hands.

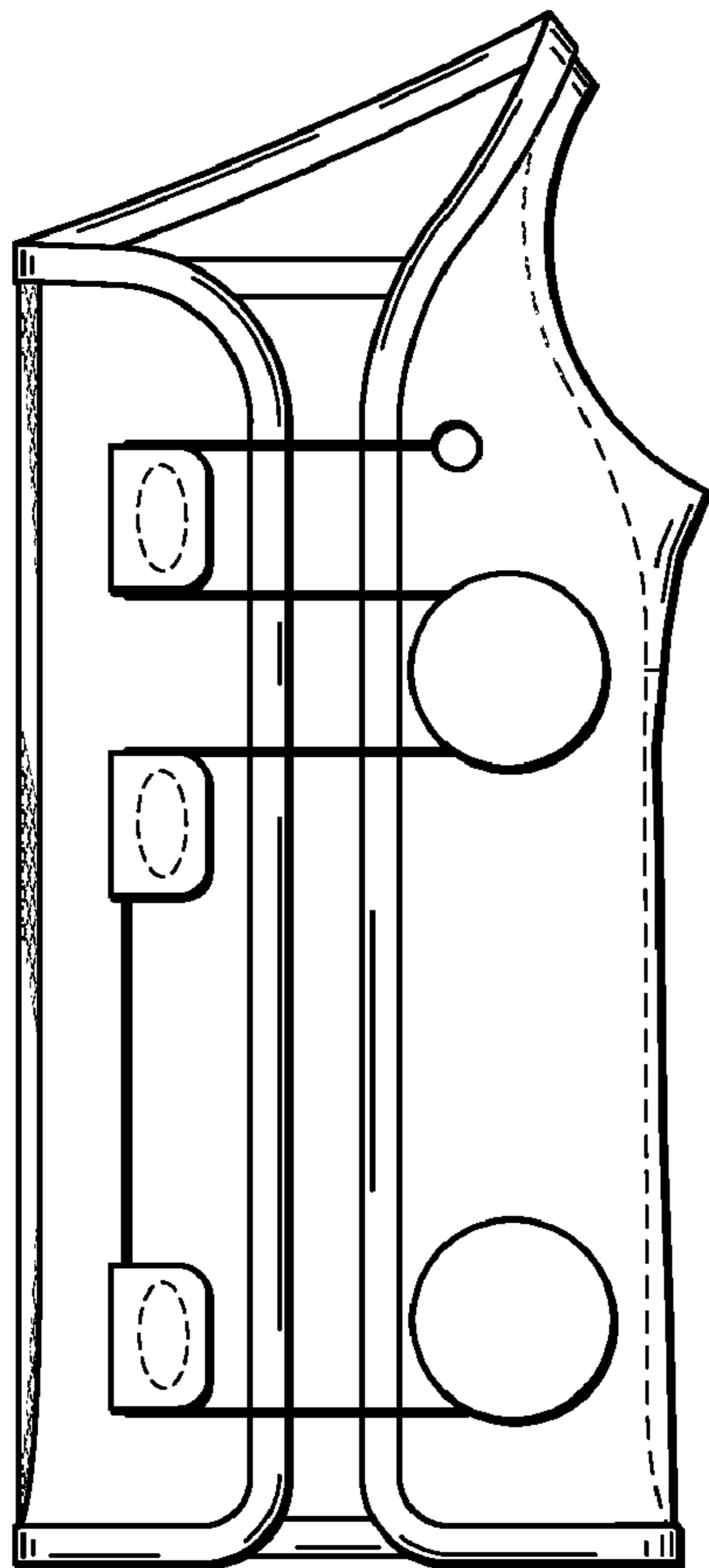
The broken lines showing a hand, seam patterns and oval-shaped holes on the lace guides are included for the purpose of illustrating environmental structure and form no part of the claimed design.

**1 Claim, 2 Drawing Sheets**

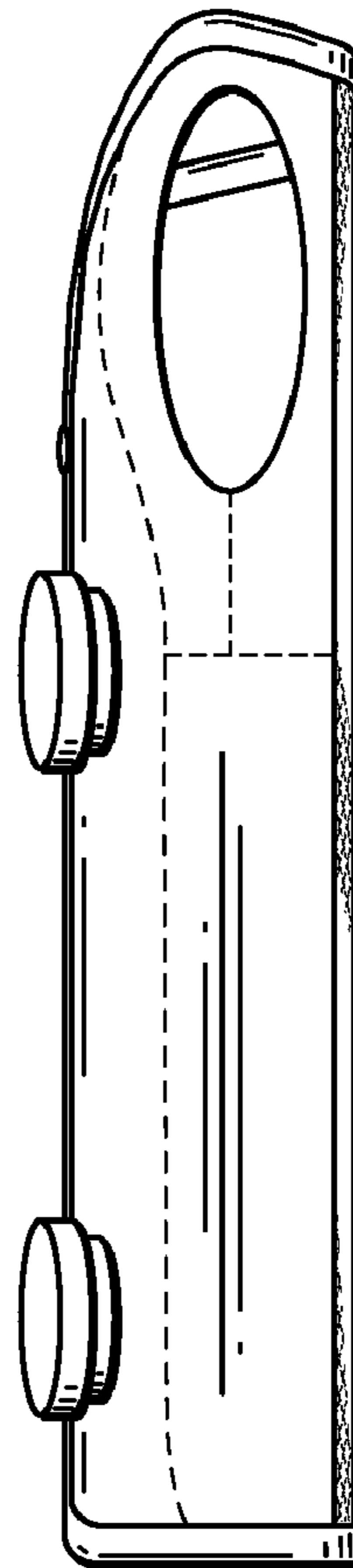




*FIG. 1*



*FIG. 2*



*FIG. 3*

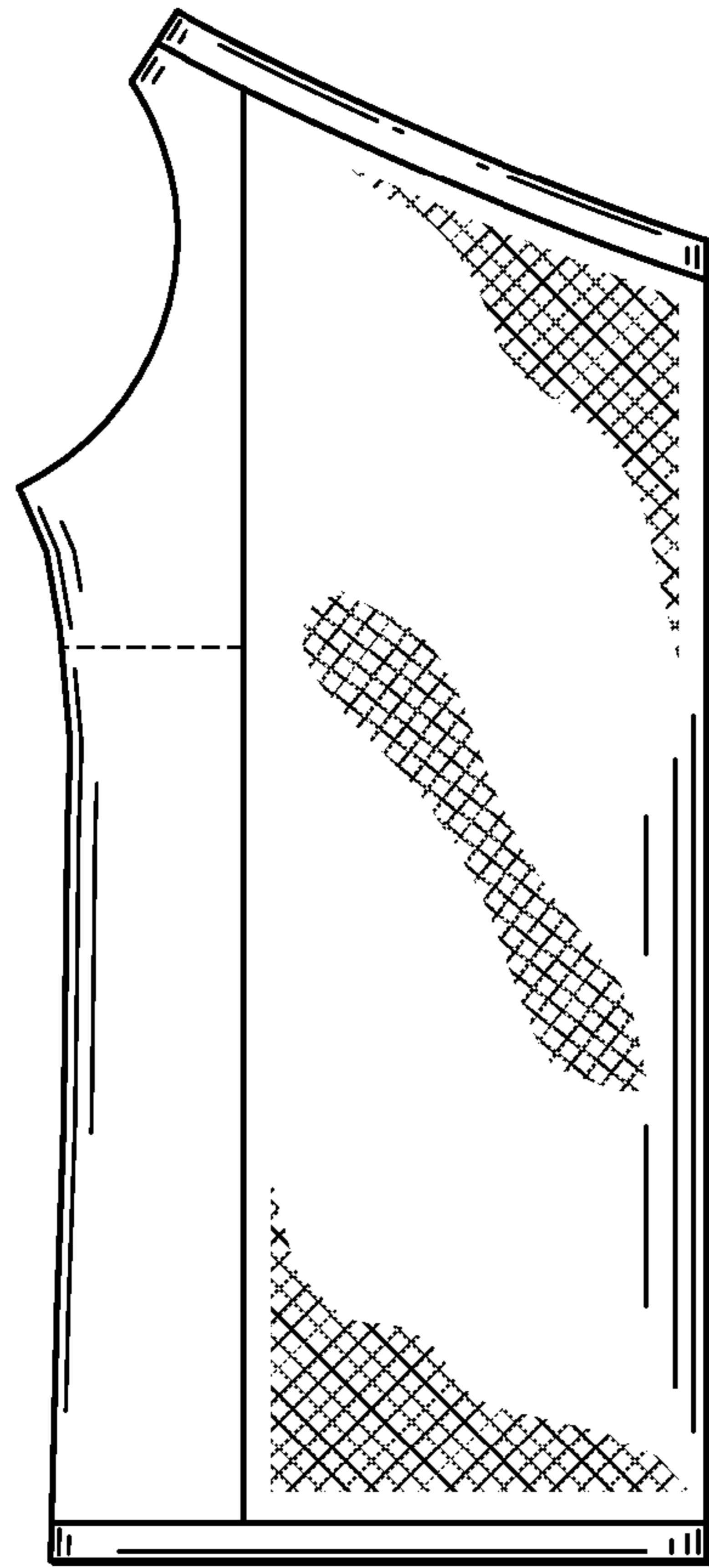


FIG. 4

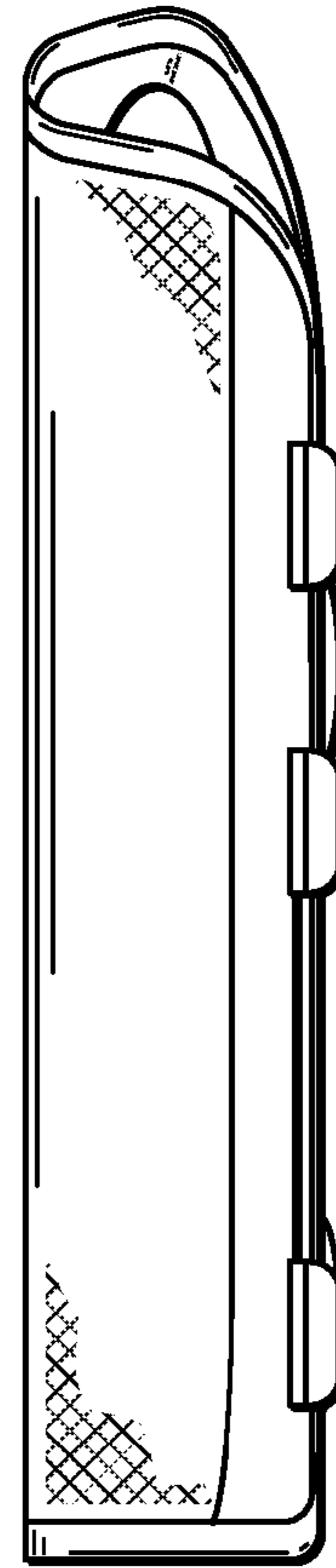


FIG. 5

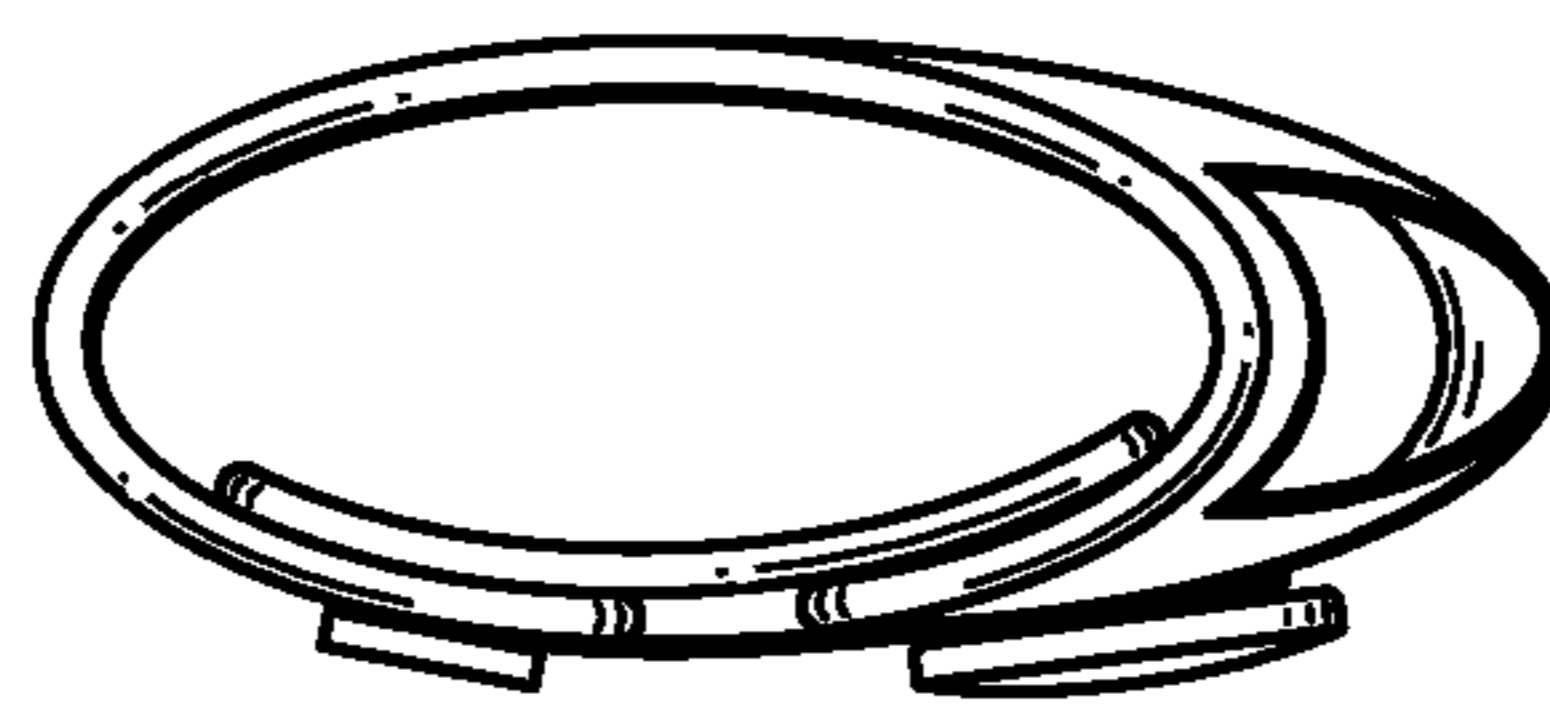


FIG. 6

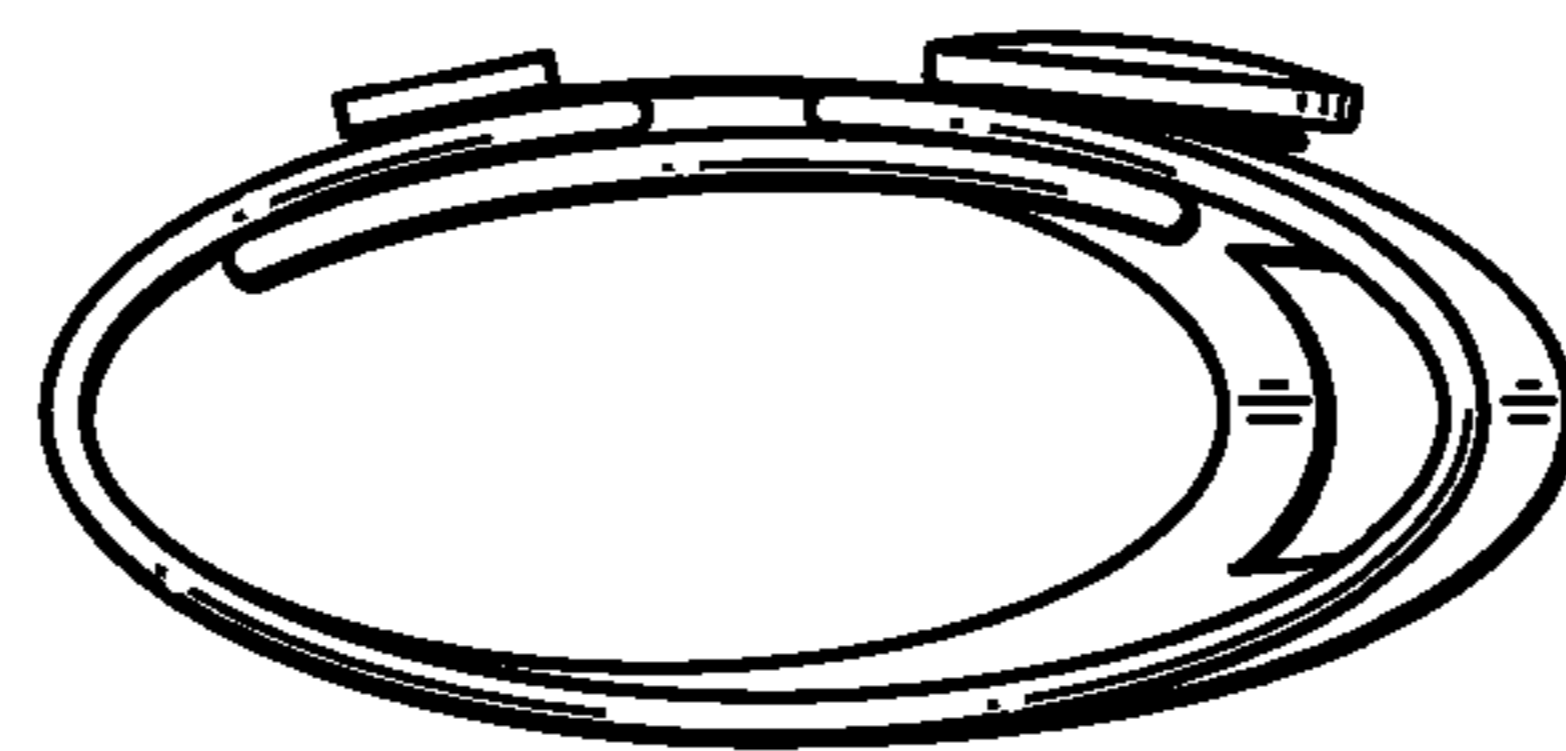


FIG. 7