



US00D617462S

(12) **United States Design Patent**
Nauche

(10) **Patent No.:** **US D617,462 S**

(45) **Date of Patent:** **** Jun. 8, 2010**

(54) **PUPILOMETER**

(75) Inventor: **Michel Nauche**, Soisy sous
Montmorency (FR)

(73) Assignee: **Essilor International (Compagnie
Generale d'Optique)** (FR)

(**) Term: **14 Years**

(21) Appl. No.: **29/306,790**

(22) Filed: **Apr. 16, 2008**

(30) **Foreign Application Priority Data**

Oct. 22, 2007 (EM) 000820568

(51) **LOC (9) Cl.** **24-01**

(52) **U.S. Cl.** **D24/172**

(58) **Field of Classification Search** D24/150,
D24/133, 137, 172, 183; 351/205-206, 208,
351/222, 224, 203, 213, 233, 237; 600/398-401,
600/558

See application file for complete search history.

(56) **References Cited**

U.S. PATENT DOCUMENTS

D188,394 S *	7/1960	Sorenson	D24/172
3,966,310 A *	6/1976	Larson	351/221
D390,662 S *	2/1998	Cooper	D24/172
5,838,424 A *	11/1998	Wawro et al.	351/245
6,116,736 A *	9/2000	Stark et al.	351/206
6,820,979 B1 *	11/2004	Stark et al.	351/206

7,147,327 B2 *	12/2006	Stark et al.	351/205
7,159,984 B2 *	1/2007	Fukuma et al.	351/227
7,237,897 B2 *	7/2007	Terabe	351/222
7,338,166 B2 *	3/2008	Waldorf et al.	351/205
7,399,081 B2 *	7/2008	Mimura et al.	351/205
7,448,751 B2 *	11/2008	Kiderman et al.	351/205
2008/0192202 A1 *	8/2008	Lewkowski	351/206
2008/0278685 A1 *	11/2008	MacDougall et al.	351/206

* cited by examiner

Primary Examiner—Ian Simmons

Assistant Examiner—Wan Laymon

(74) *Attorney, Agent, or Firm*—Gardere Wynne Sewell, LLP

(57) **CLAIM**

The ornamental design for a pupilometer, as shown and described.

DESCRIPTION

FIG. 1 is a top view of a pupilometer, showing my new design;

FIG. 2 is a bottom view thereof;

FIG. 3 is a left side view thereof;

FIG. 4 is a right side view thereof;

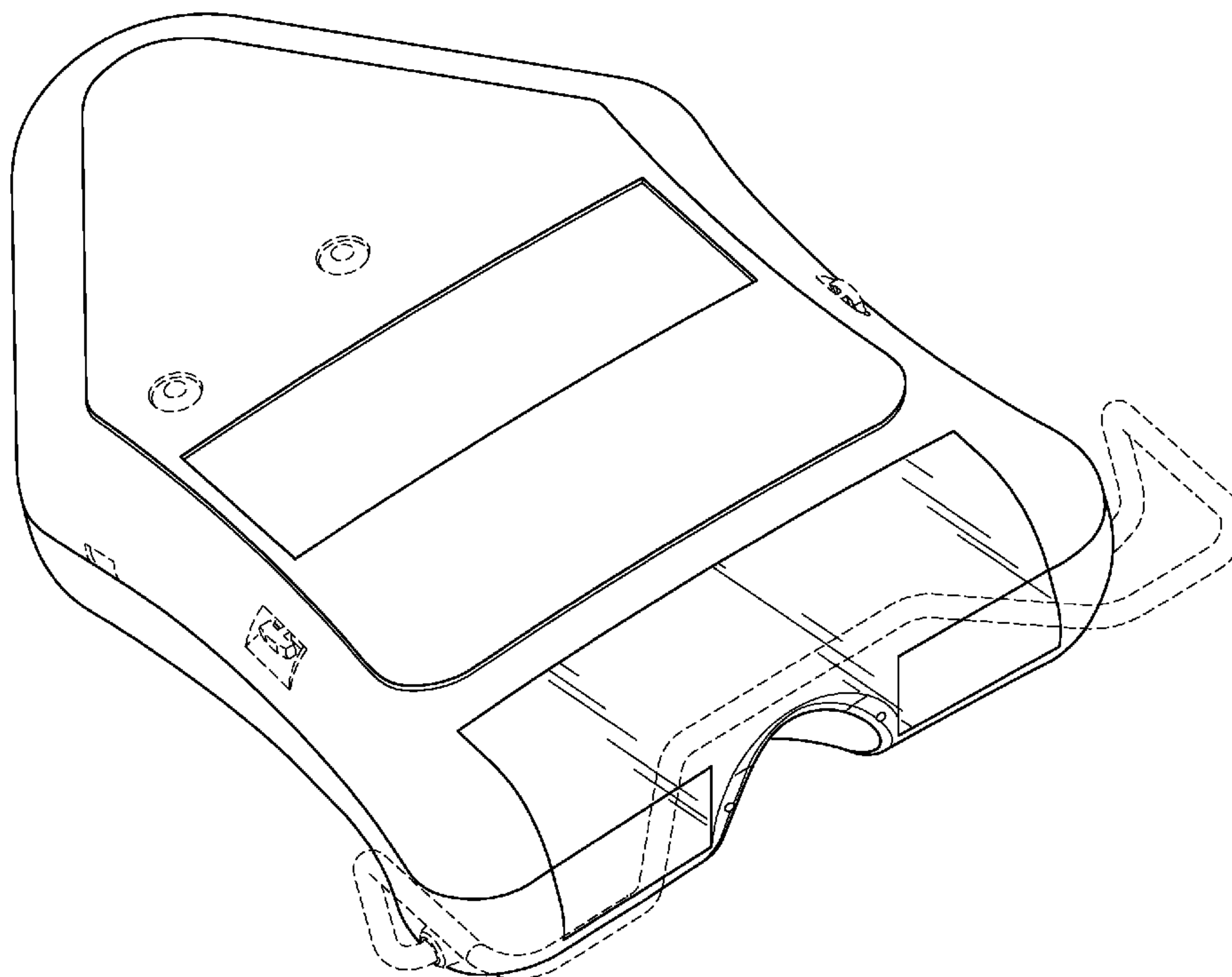
FIG. 5 is a front view thereof;

FIG. 6 is a rear view thereof; and,

FIG. 7 is a perspective view thereof.

The broken line showing portions of a pupilometer is included for the purpose of illustrating environmental structure and forms no part of the claimed design.

1 Claim, 5 Drawing Sheets



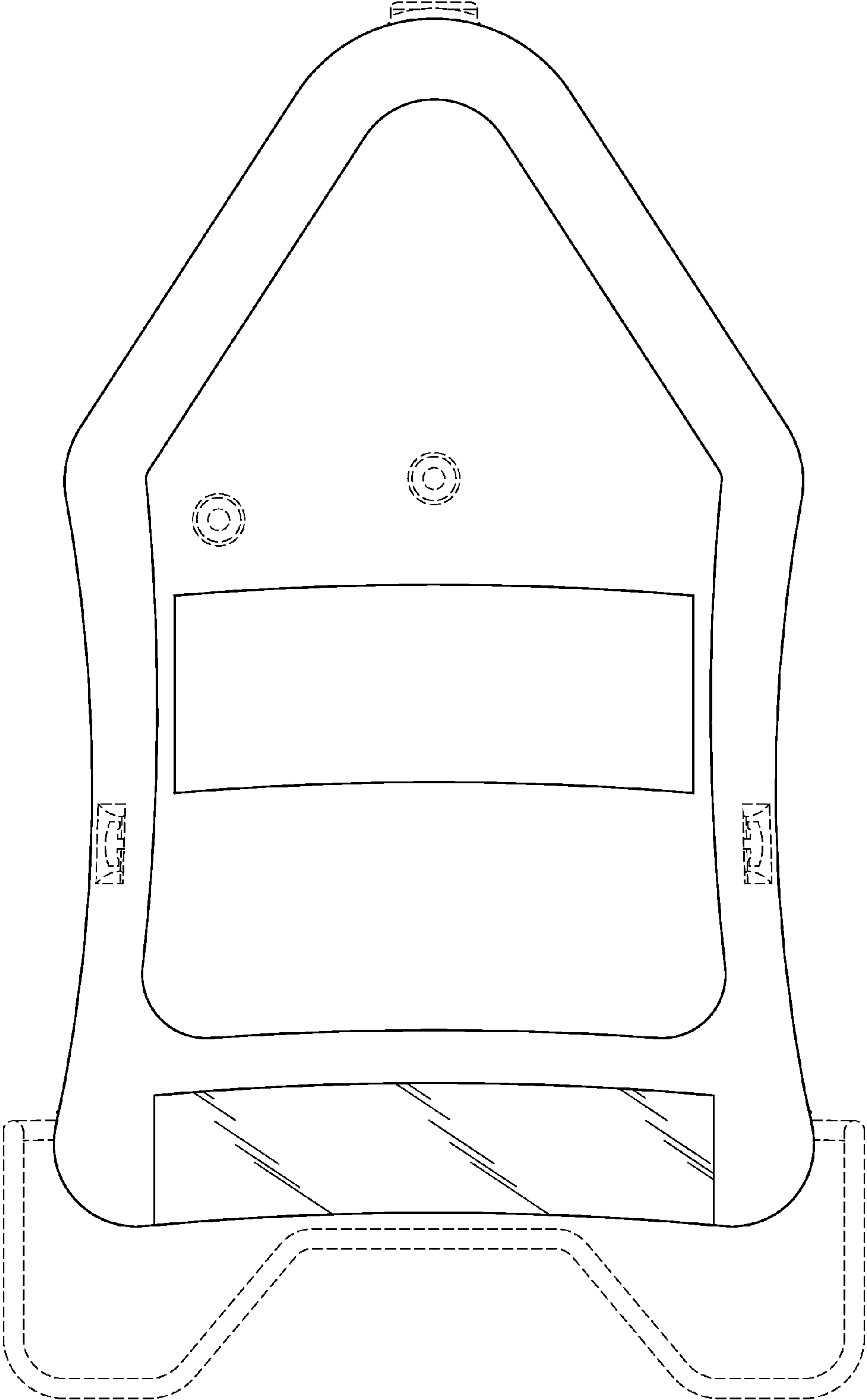


FIG. 1

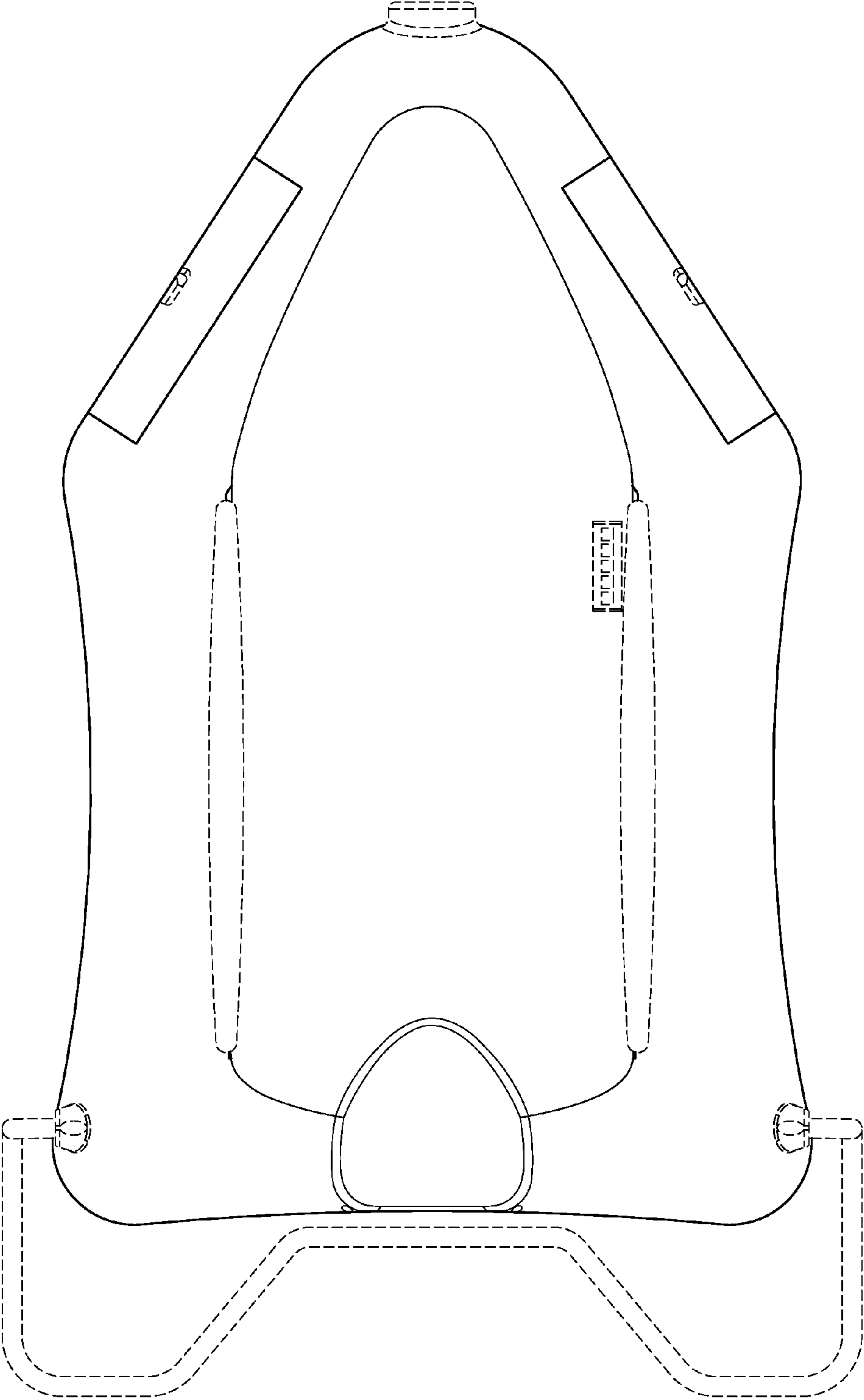


FIG. 2

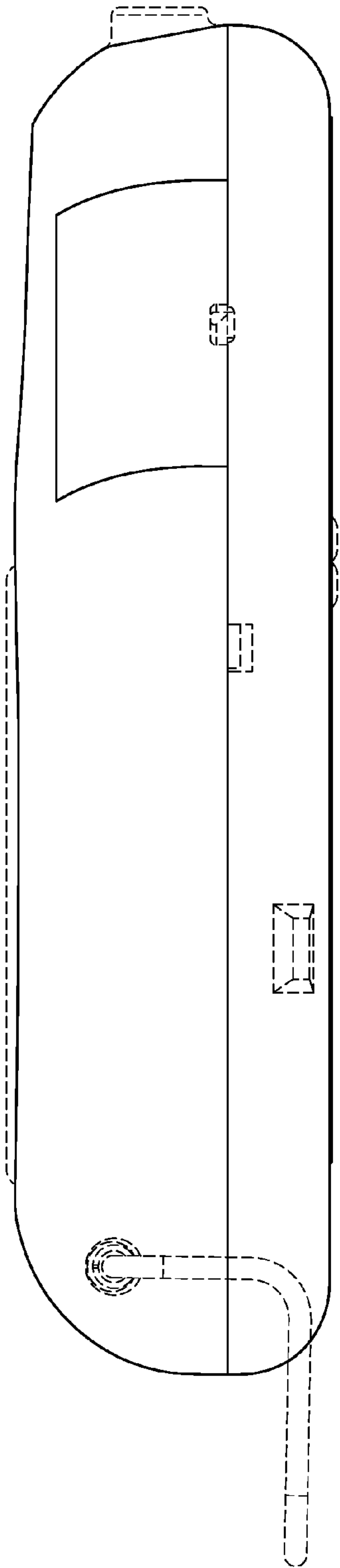


FIG. 3

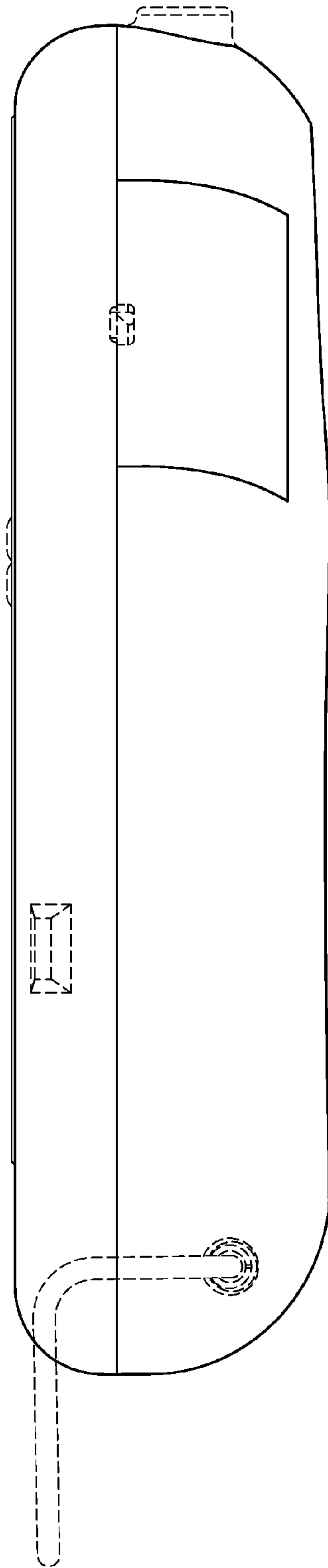


FIG. 4

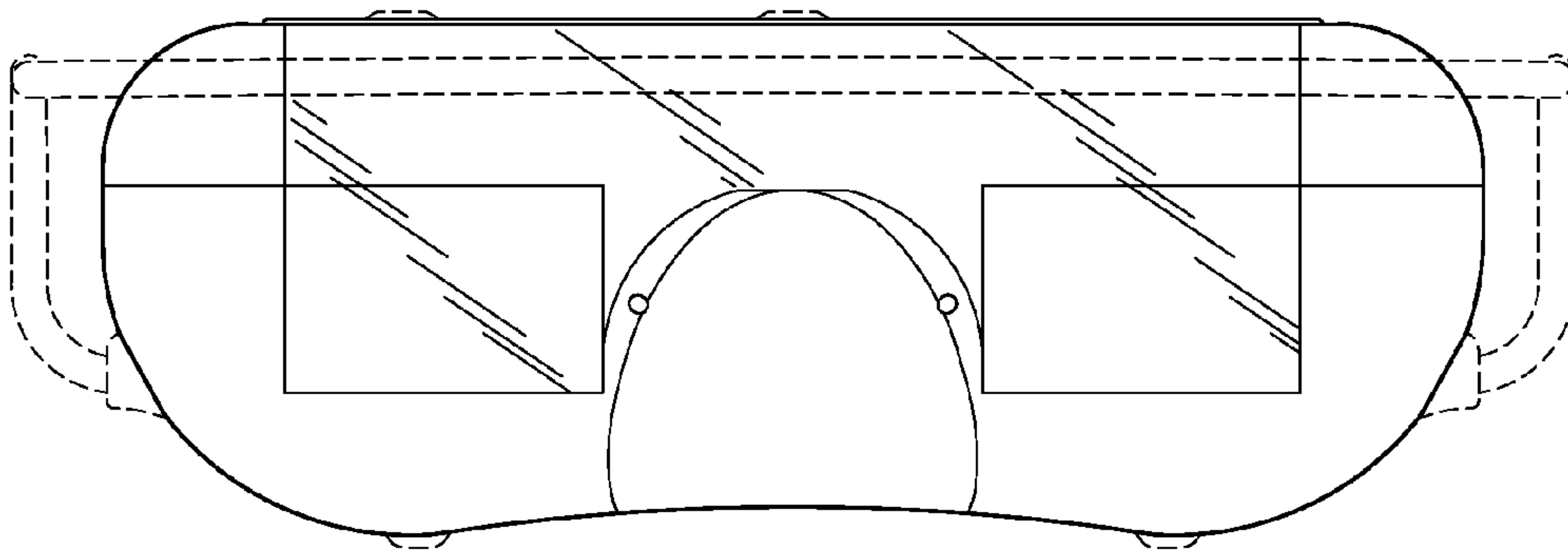


FIG. 5

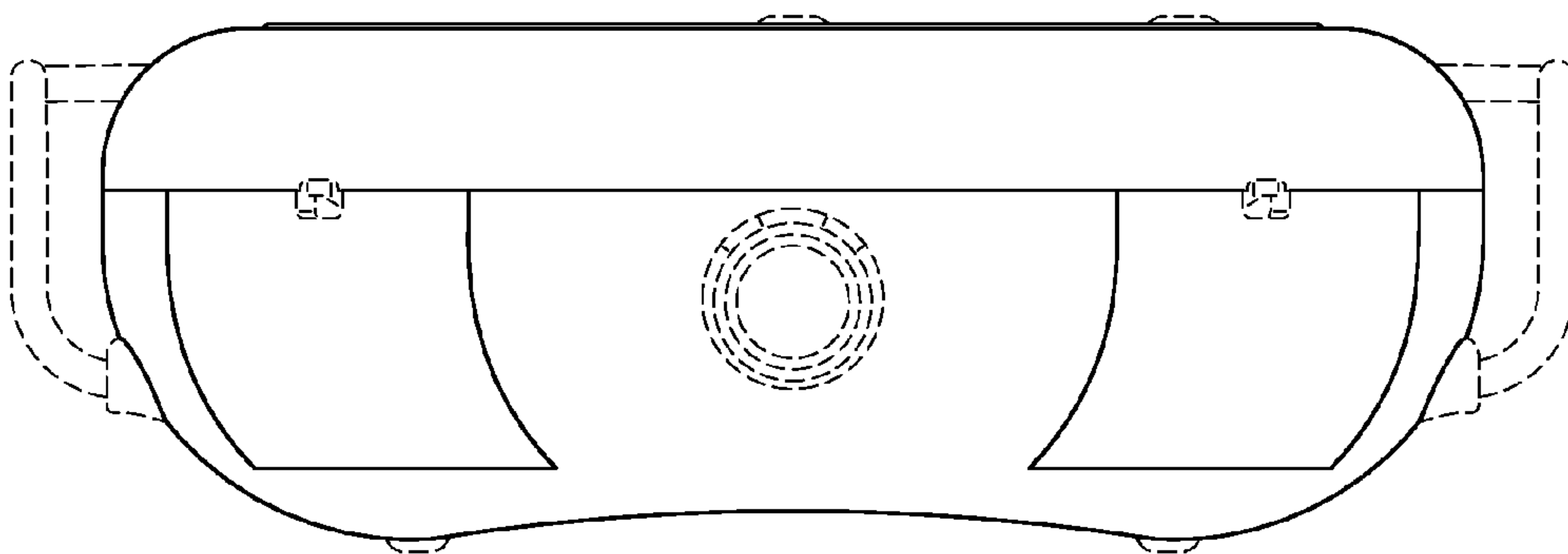


FIG. 6

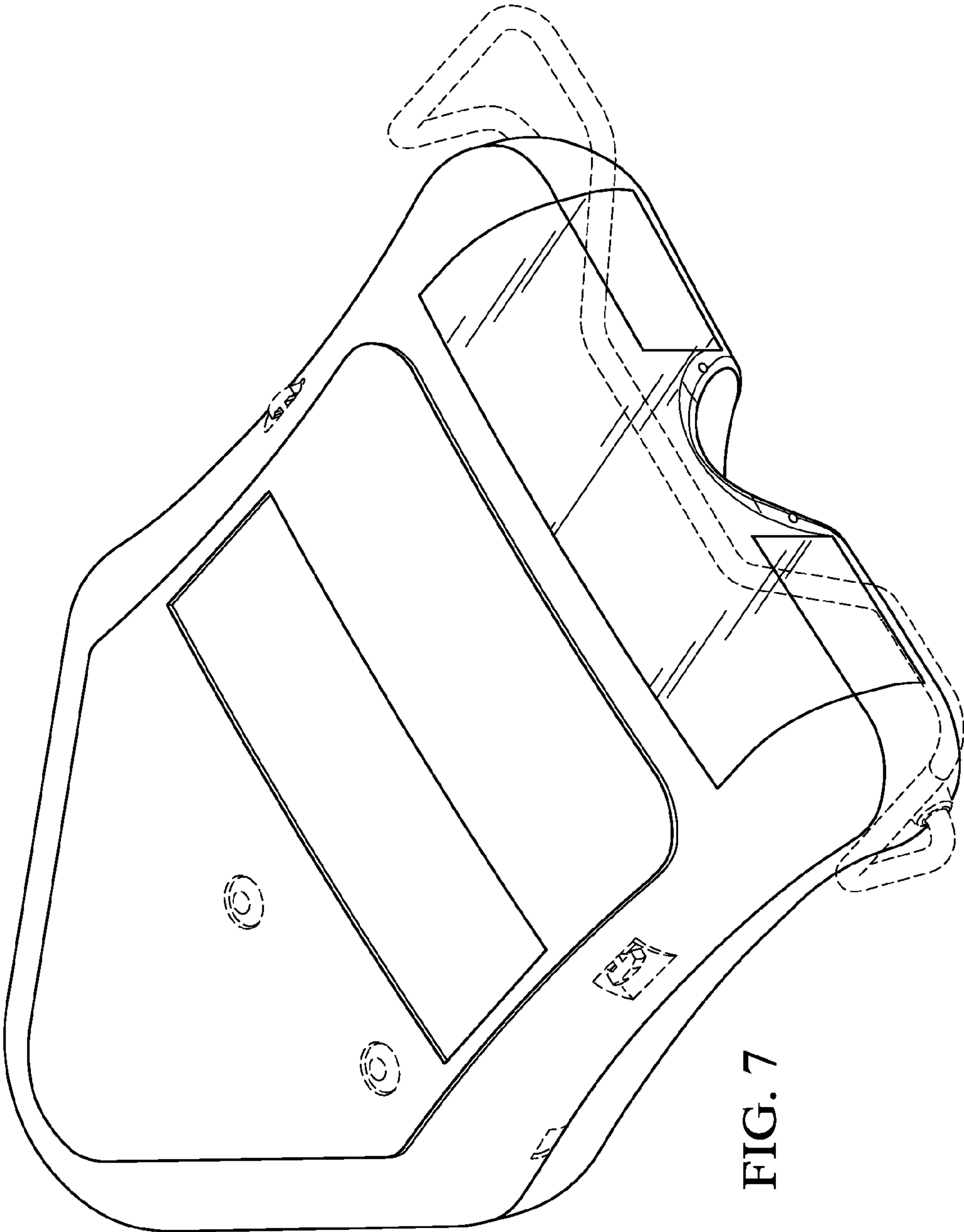


FIG. 7