



US00D617461S

(12) **United States Design Patent**
Kaushal et al.

(10) **Patent No.:** **US D617,461 S**
(45) **Date of Patent:** **** Jun. 8, 2010**

(54) **DIAGNOSTIC INSTRUMENT**

(75) Inventors: **Ashwani Kaushal**, Mississauga (CA);
Duncan MacIntyre, Campbellville (CA)

(73) Assignee: **NIRresults Inc.**, Toronto, Ontario (CA)

(**) Term: **14 Years**

(21) Appl. No.: **29/302,138**

(22) Filed: **Jan. 10, 2008**

(51) **LOC (9) Cl.** **24-01**

(52) **U.S. Cl.** **D24/169; D10/78; D10/81**

(58) **Field of Classification Search** D24/107,
D24/158, 165–169, 186, 188, 232; D10/57,
D10/70, 78, 81, 98, 104; D14/149, 151,
D14/168, 253, 341, 371, 374–375; 600/309,
600/316, 322, 365, 368, 483–485, 490–492,
600/495, 500–501, 504, 513, 549; 422/56–58,
422/61, 68.1, 102, 104; 435/16; 436/168–169,
436/183; 455/404.1; 379/428.4, 441, 446,
379/454–455; D13/168

See application file for complete search history.

(56) **References Cited**

U.S. PATENT DOCUMENTS

D291,245 S *	8/1987	Lanci et al.	D24/167
D312,621 S *	12/1990	Soren et al.	D14/339
D361,129 S *	8/1995	Collins et al.	D24/169
5,714,123 A *	2/1998	Sohrab 422/99	
D399,566 S *	10/1998	Sohrab et al.	D24/169
D406,895 S *	3/1999	Byrd et al.	D24/169
D411,621 S *	6/1999	Eisenbarth et al.	D24/169
D417,504 S *	12/1999	Love et al.	D24/169
D428,654 S *	7/2000	Schlesinger et al.	D24/169
D456,514 S *	4/2002	Brown et al.	D24/169

D459,812 S *	7/2002	Ijiri	D24/169
6,580,948 B2 *	6/2003	Haupt et al.	607/60
D496,732 S *	9/2004	Nagai et al.	D24/169
D509,900 S *	9/2005	Barnes et al.	D24/160
D545,882 S *	7/2007	Sato	D18/4.4
D564,378 S *	3/2008	Kaushal et al.	D10/78
D564,379 S *	3/2008	Kaushal et al.	D10/78
D564,924 S *	3/2008	Kaushal et al.	D10/78
D569,526 S *	5/2008	Duffy et al.	D24/232
7,497,827 B2 *	3/2009	Brister et al.	600/309

* cited by examiner

Primary Examiner—Philip S Hyder

Assistant Examiner—Susan E Krakower

(74) *Attorney, Agent, or Firm*—Hovey Williams LLP

(57) **CLAIM**

The ornamental design for a diagnostic instrument, as shown and described.

DESCRIPTION

FIG. 1 is a perspective view of the diagnostic instrument with a finger receptor in the open position;

FIG. 2 is a perspective view of the diagnostic instrument with the finger receptor in the closed position;

FIG. 3 is a front elevational view thereof;

FIG. 4 is a rear elevational view thereof;

FIG. 5 is a right side elevational view thereof;

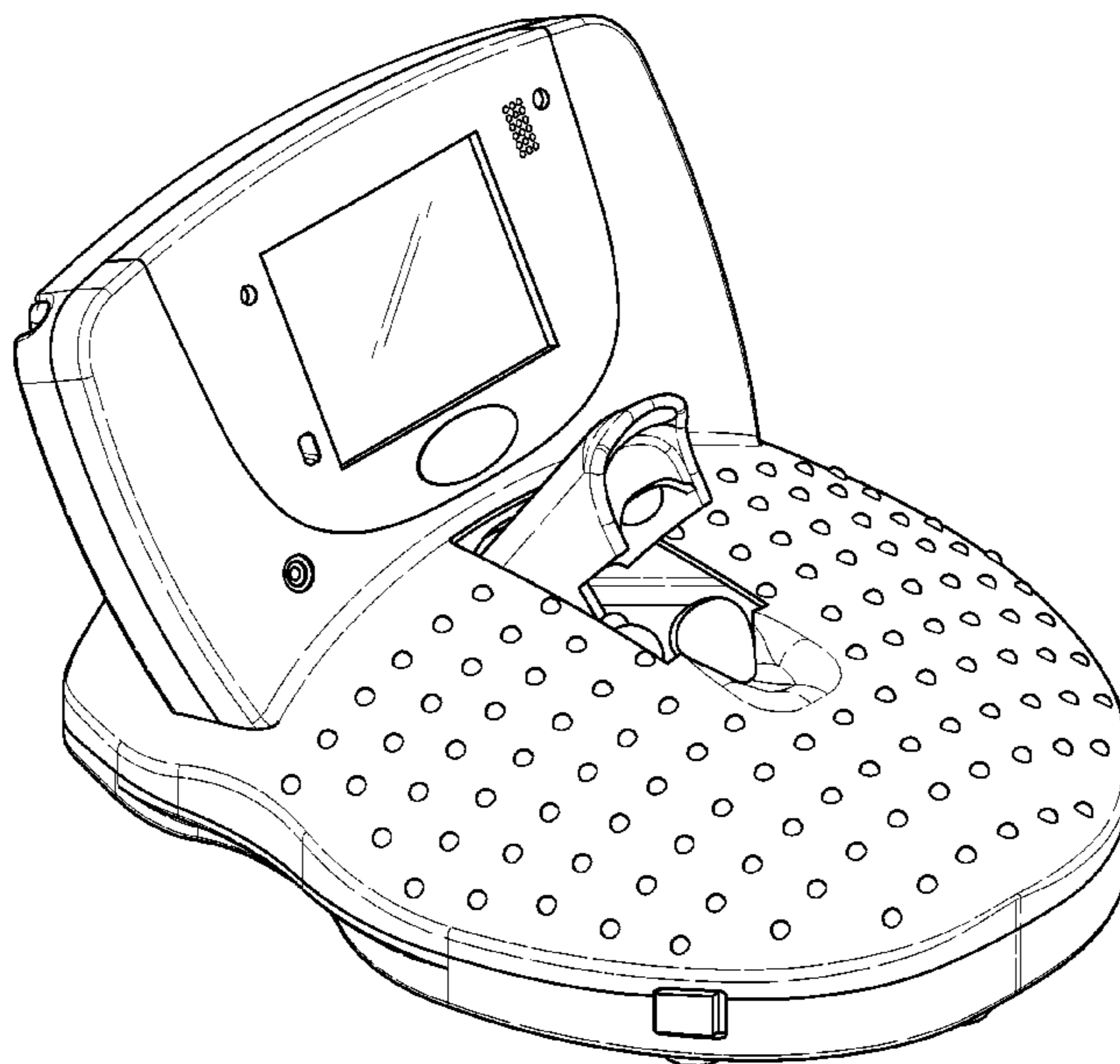
FIG. 6 is a left side elevational view thereof;

FIG. 7 is a top plan view thereof; and,

FIG. 8 is a bottom plan view thereof.

Environmental elements of the disclosure shown in broken lines form no part of the claimed design.

1 Claim, 8 Drawing Sheets



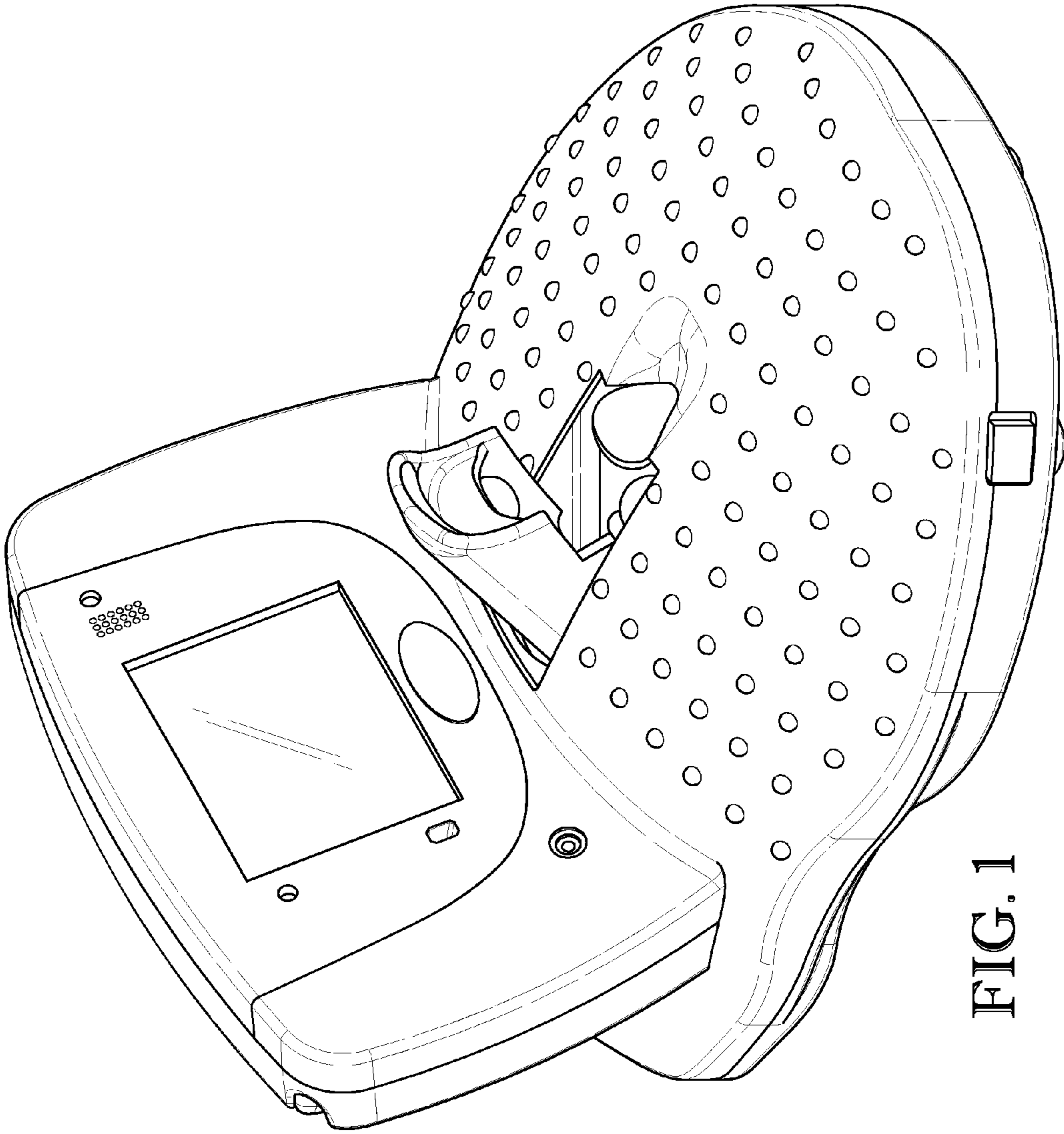


FIG. 1

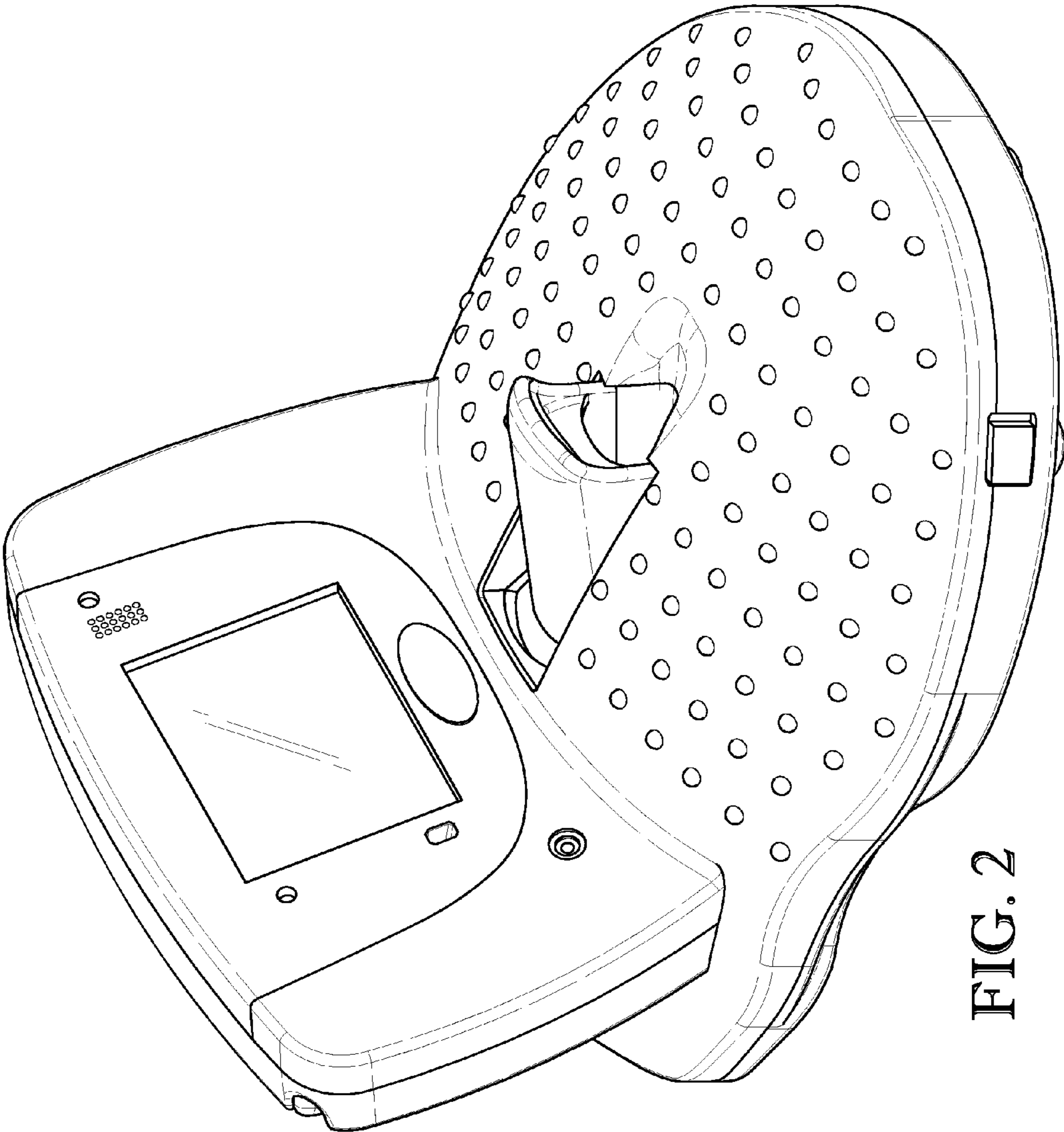


FIG. 2

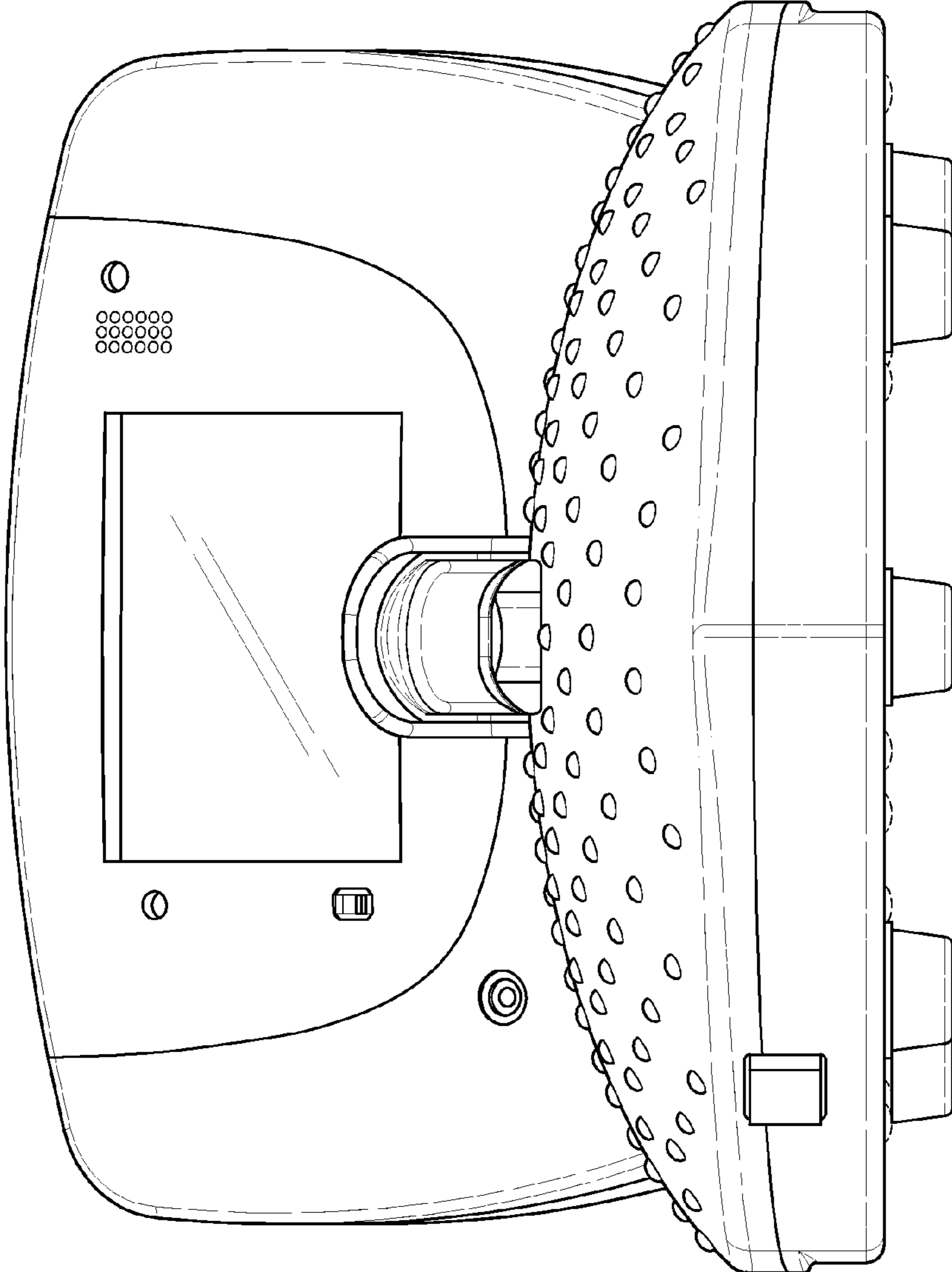


FIG. 3

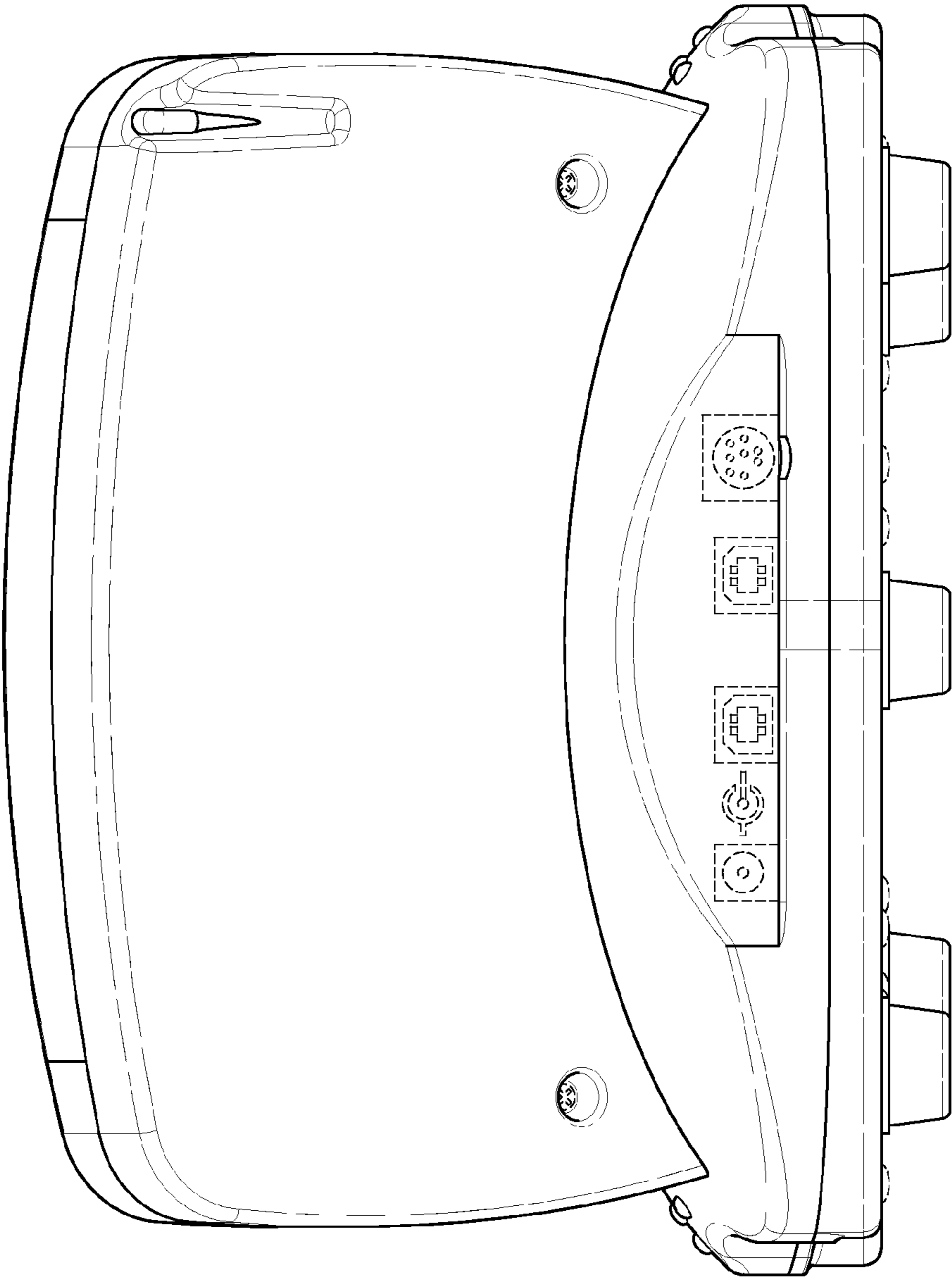


FIG. 4

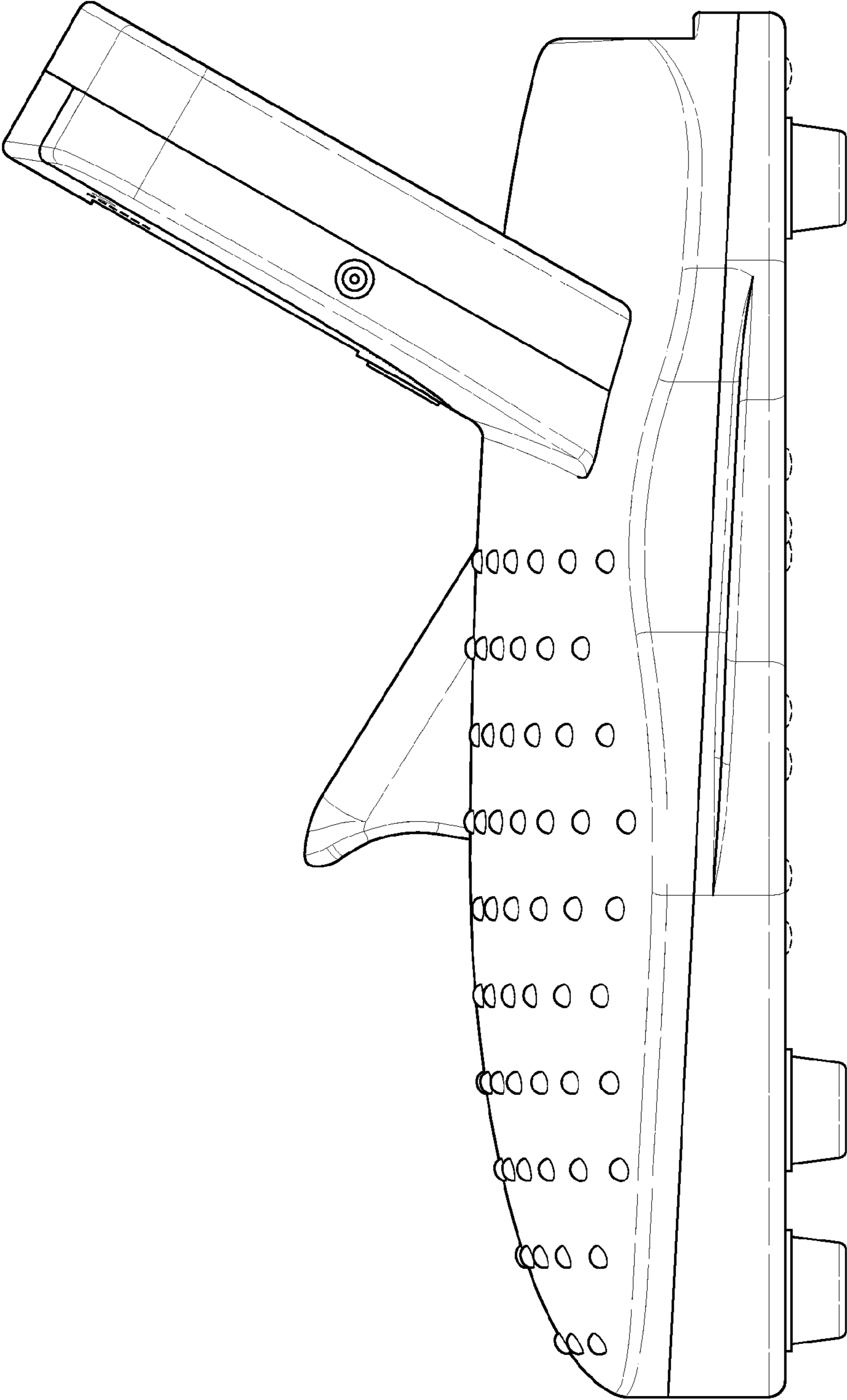


FIG. 5

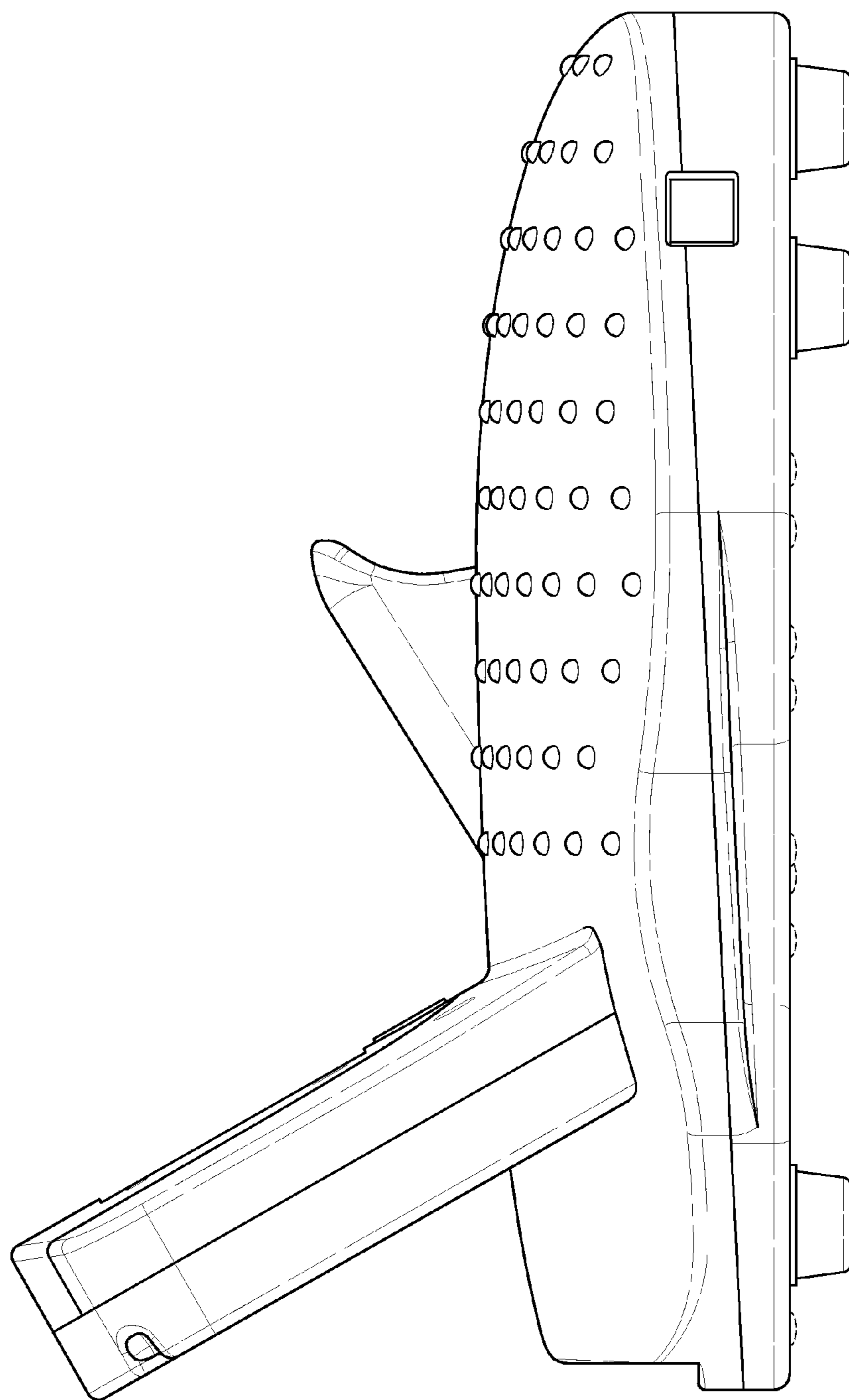


FIG. 6

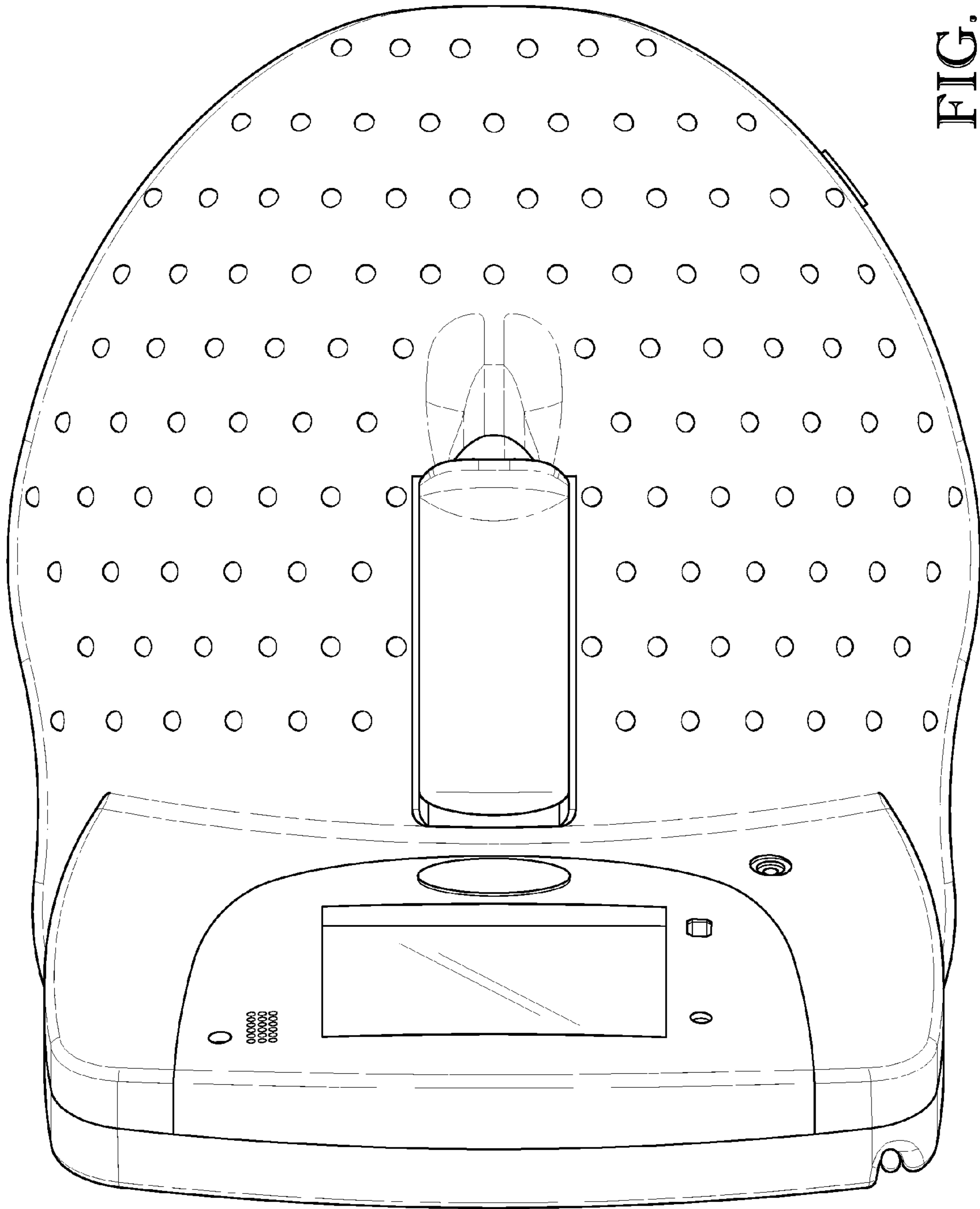


FIG. 7

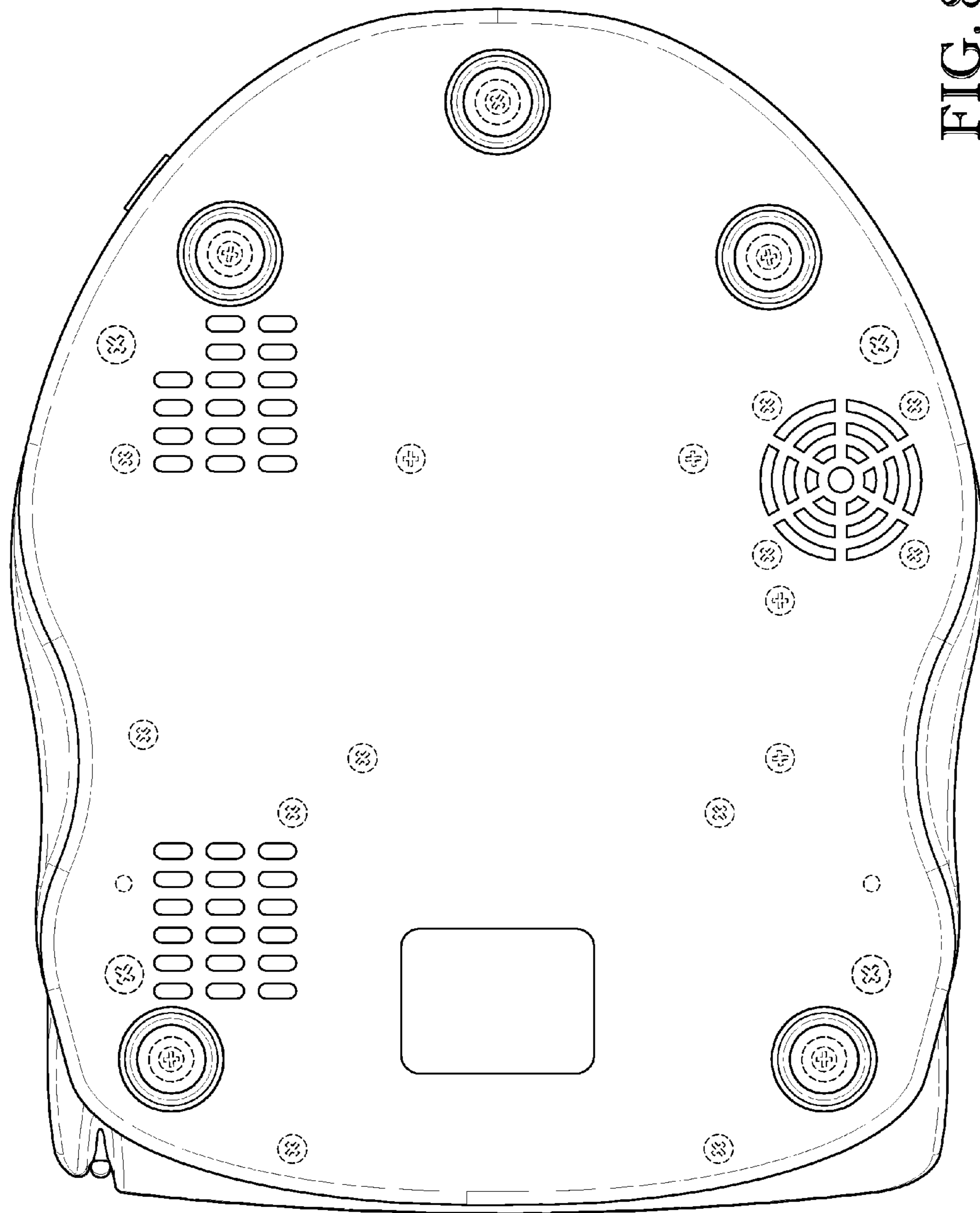


FIG. 8