



US00D617460S

(12) **United States Design Patent**  
**Okuda et al.**

(10) **Patent No.:** **US D617,460 S**  
(45) **Date of Patent:** **\*\* Jun. 8, 2010**

(54) **ADJUSTABLE ADAPTOR FOR A PROSTHETIC LEG**

(75) Inventors: **Masahiko Okuda**, Hyogo (JP);  
**Yoshiaki Nakaya**, Hyogo (JP)

(73) Assignee: **Nabtesco Corporation** (JP)

(\*\*) Term: **14 Years**

(21) Appl. No.: **29/331,084**

(22) Filed: **Jan. 20, 2009**

(30) **Foreign Application Priority Data**

Jul. 23, 2008 (JP) ..... D2008-018820

(51) **LOC (9) Cl.** ..... **24-01**

(52) **U.S. Cl.** ..... **D24/155**

(58) **Field of Classification Search** ..... D24/155;  
623/11.11, 16, 14, 20.23, 20.33, 33, 41, 17.11–17.16  
See application file for complete search history.

(56) **References Cited**

**U.S. PATENT DOCUMENTS**

4,608,054 A \* 8/1986 Schroder ..... 623/39  
5,549,689 A \* 8/1996 Epstein et al. .... 623/20.23  
5,609,643 A 3/1997 Colleran et al.  
D402,368 S \* 12/1998 Holzapfel ..... D24/155  
6,162,254 A \* 12/2000 Timoteo ..... 623/20.33  
6,217,618 B1 \* 4/2001 Hileman ..... 623/20.33

(Continued)

**FOREIGN PATENT DOCUMENTS**

JP 8-89519 4/1996  
JP 8-294502 11/2006  
WO 97/17042 5/1997  
WO 2006/004666 A2 1/2006

**OTHER PUBLICATIONS**

Catalogue of the Otto Bock Orthopedic Industry 2000—Otto Bock Japan K.K.

*Primary Examiner*—Charles A Rademaker  
(74) *Attorney, Agent, or Firm*—Gerald E. Hespos; Michael J. Porco

(57) **CLAIM**

The ornamental design for an adjustable adaptor for a prosthetic leg, as shown and described.

**DESCRIPTION**

FIG. 1 is a first perspective view of an adjustable adaptor for a prosthetic leg;

FIG. 2 is a second perspective view thereof;

FIG. 3 is a front view thereof;

FIG. 4 is a rear view thereof;

FIG. 5 is a left side view thereof;

FIG. 6 is a right side view thereof;

FIG. 7 is a top view thereof;

FIG. 8 is a bottom view thereof;

FIG. 9 is a first perspective view showing a condition in sliding the upside parts thereof;

FIG. 10 is a second perspective view showing a condition in sliding the upside parts thereof;

FIG. 11 is a front view showing a condition in sliding the upside parts thereof;

FIG. 12 is a rear view showing a condition in sliding the upside parts thereof;

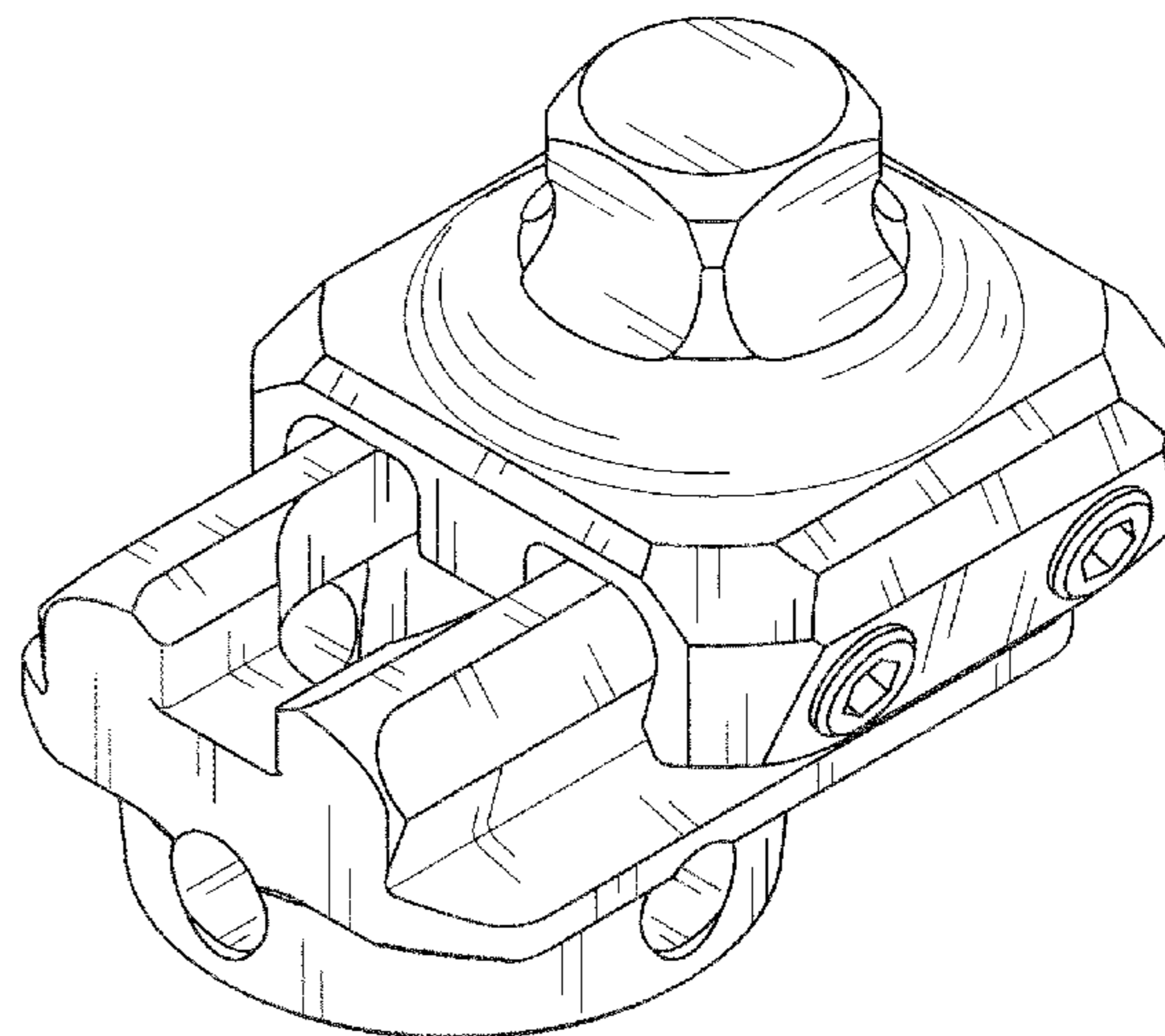
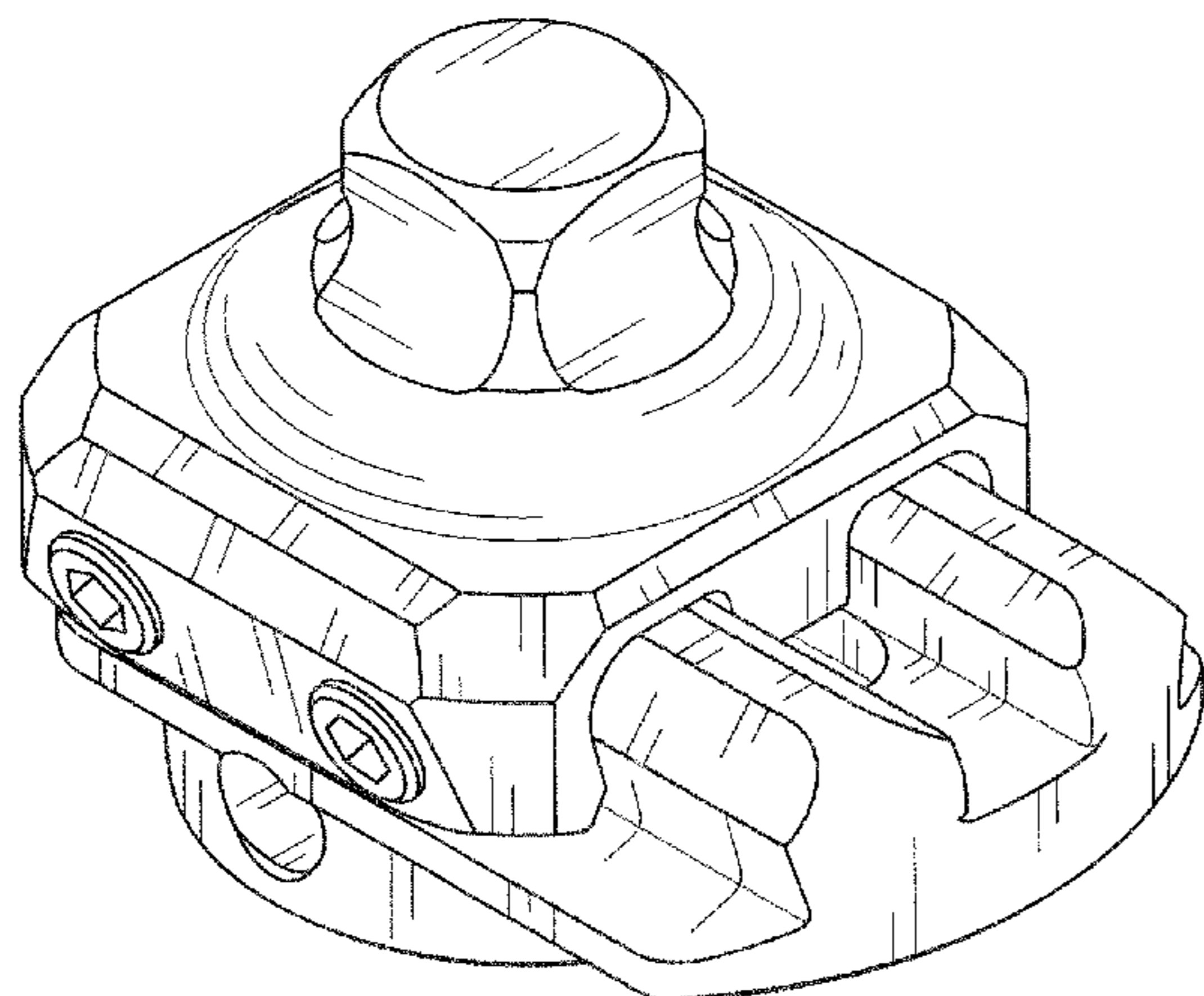
FIG. 13 is a left side view showing a condition in sliding the upside parts thereof;

FIG. 14 is a right side view showing a condition in sliding the upside parts thereof;

FIG. 15 is a top view showing a condition in sliding the upside parts thereof; and,

FIG. 16 is a bottom view showing a condition in sliding the upside parts thereof.

**1 Claim, 8 Drawing Sheets**



# US D617,460 S

Page 2

---

## U.S. PATENT DOCUMENTS

6,596,028 B1 *	7/2003	Laghi .....	623/33	7,338,532 B2	3/2008	Haberman et al.	
6,689,171 B2 *	2/2004	Slemker et al. ....	623/33	7,364,589 B2 *	4/2008	Eisermann .....	623/17.15
6,946,001 B2 *	9/2005	Sanford et al. ....	623/20.33				

\* cited by examiner

Fig.1

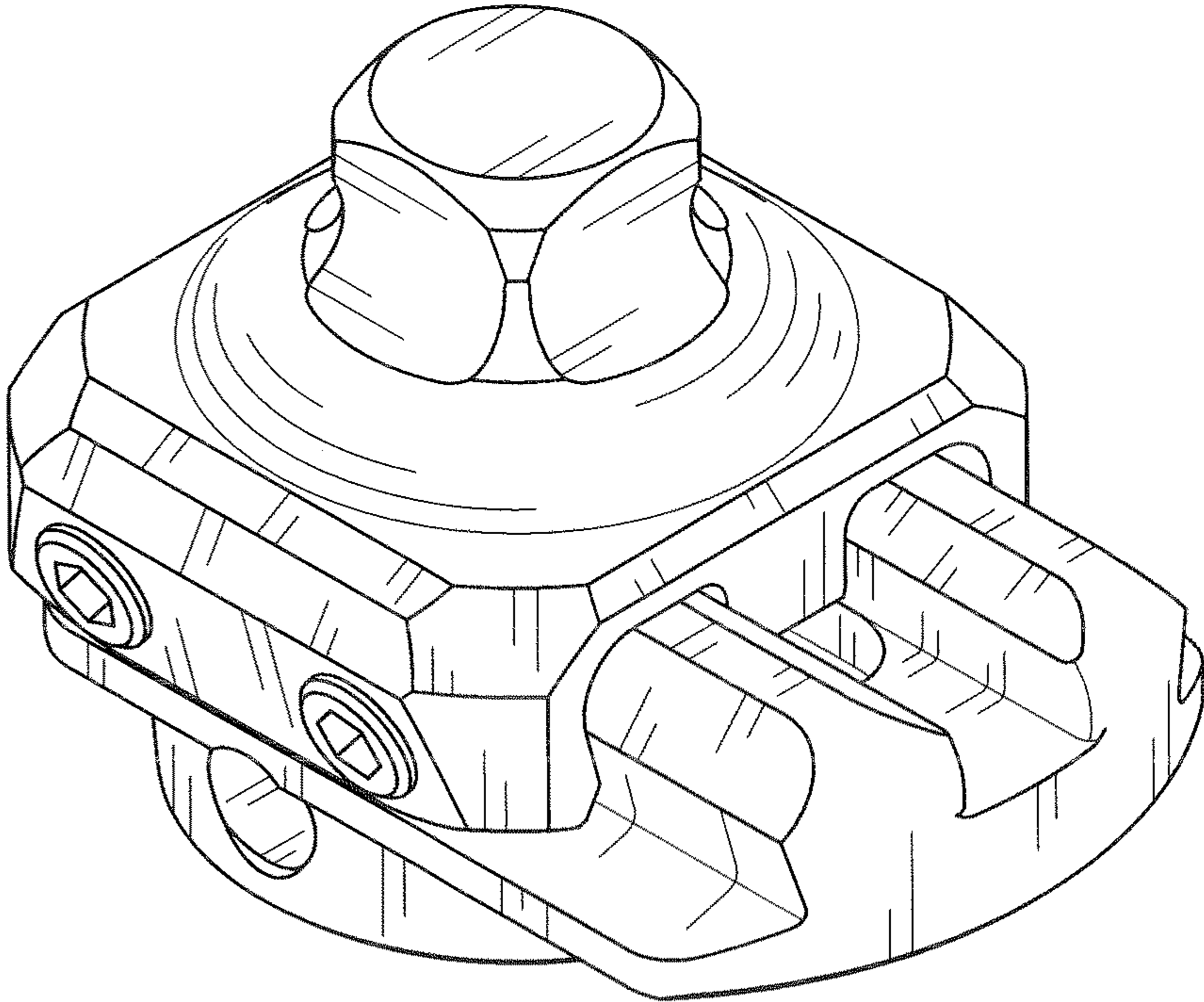


Fig.2

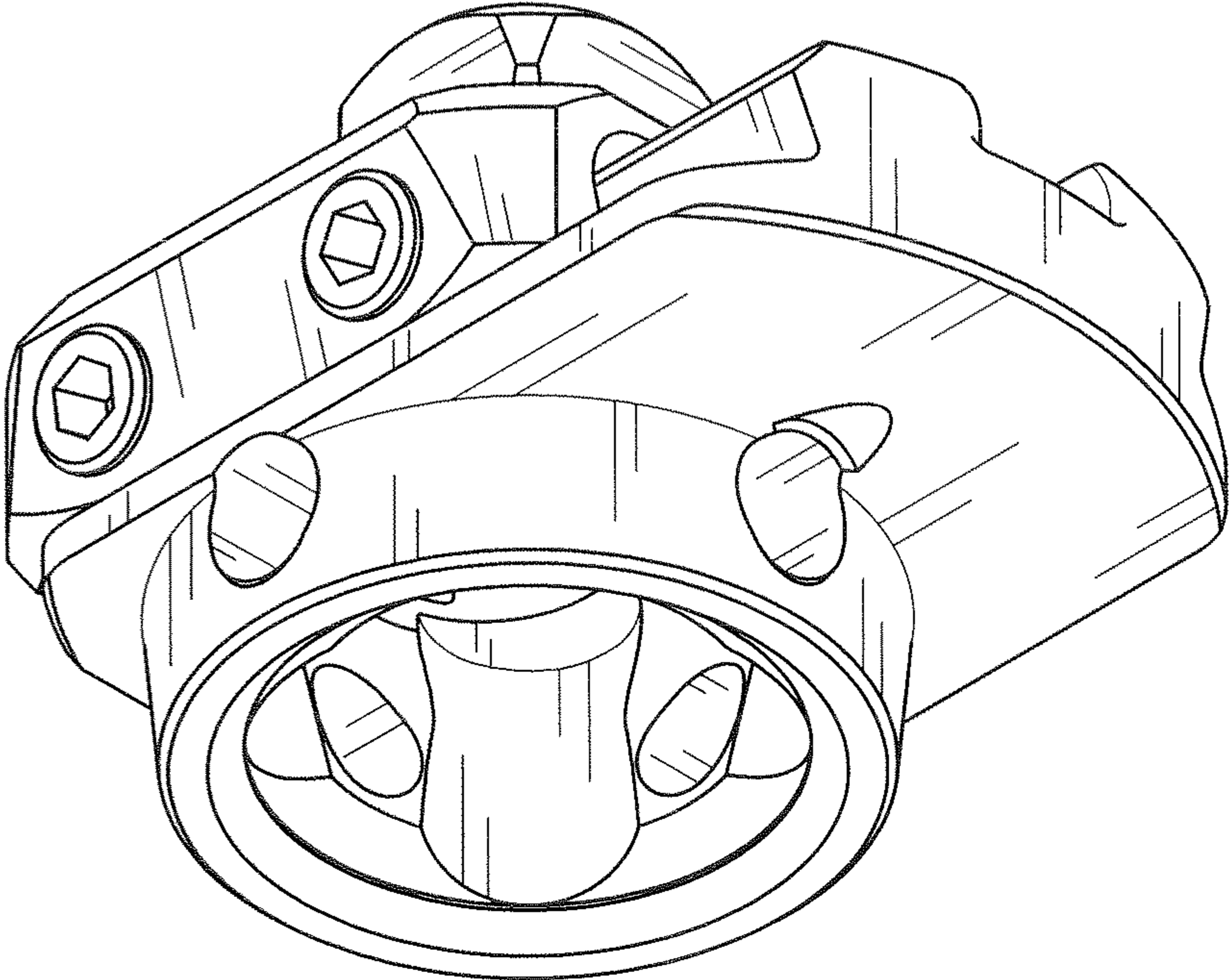




Fig.3

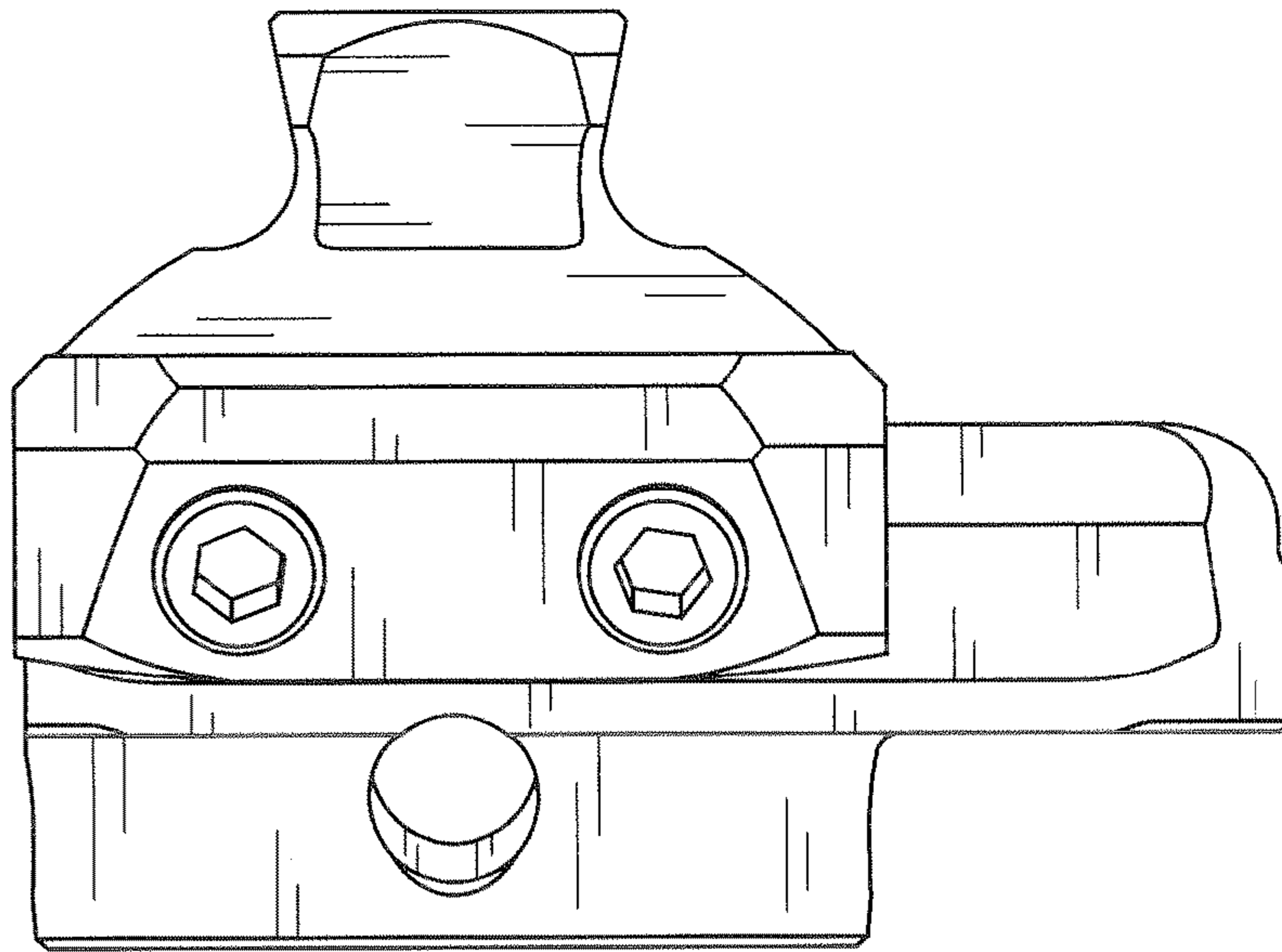


Fig.4

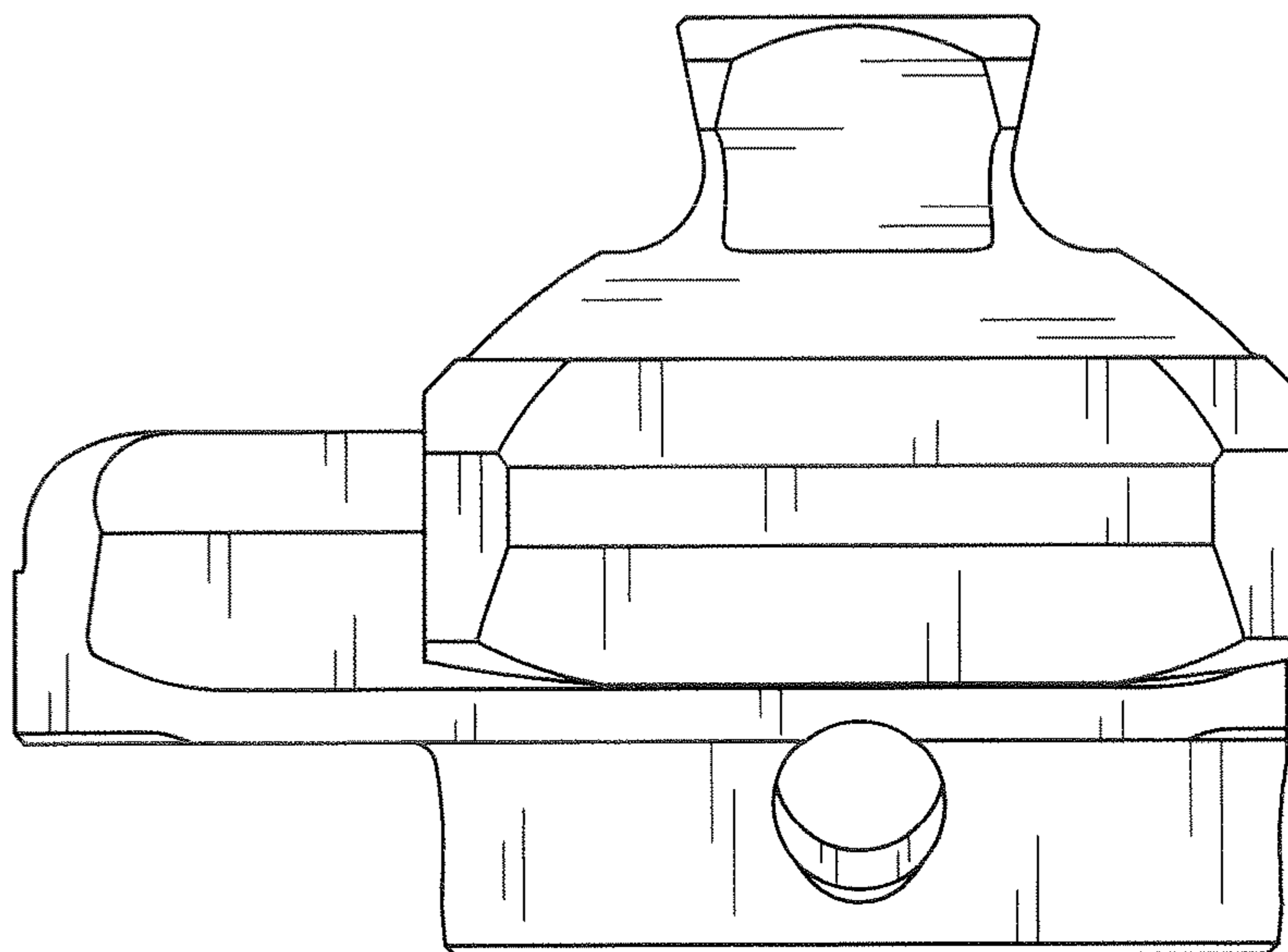


Fig.5

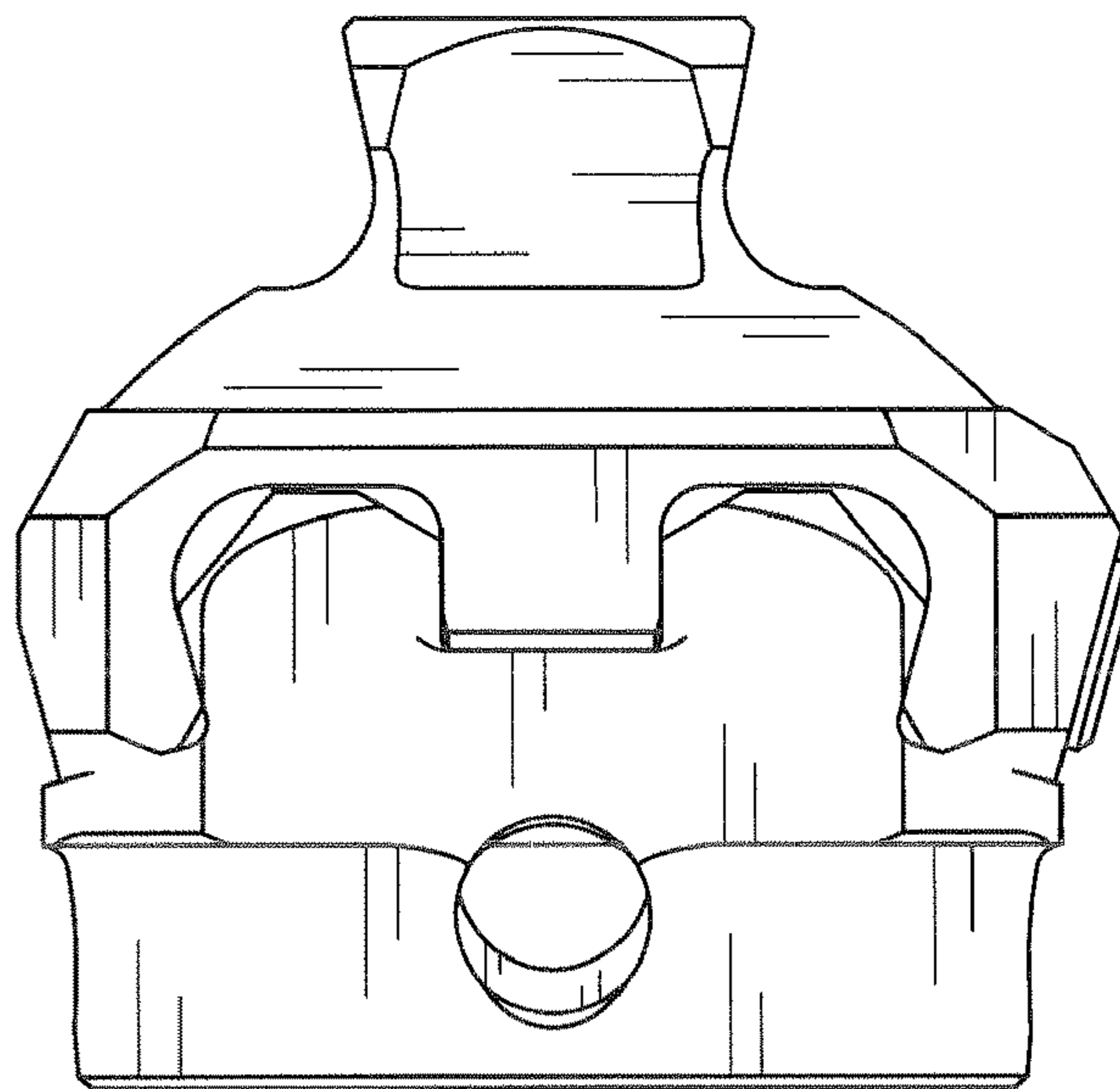


Fig.6

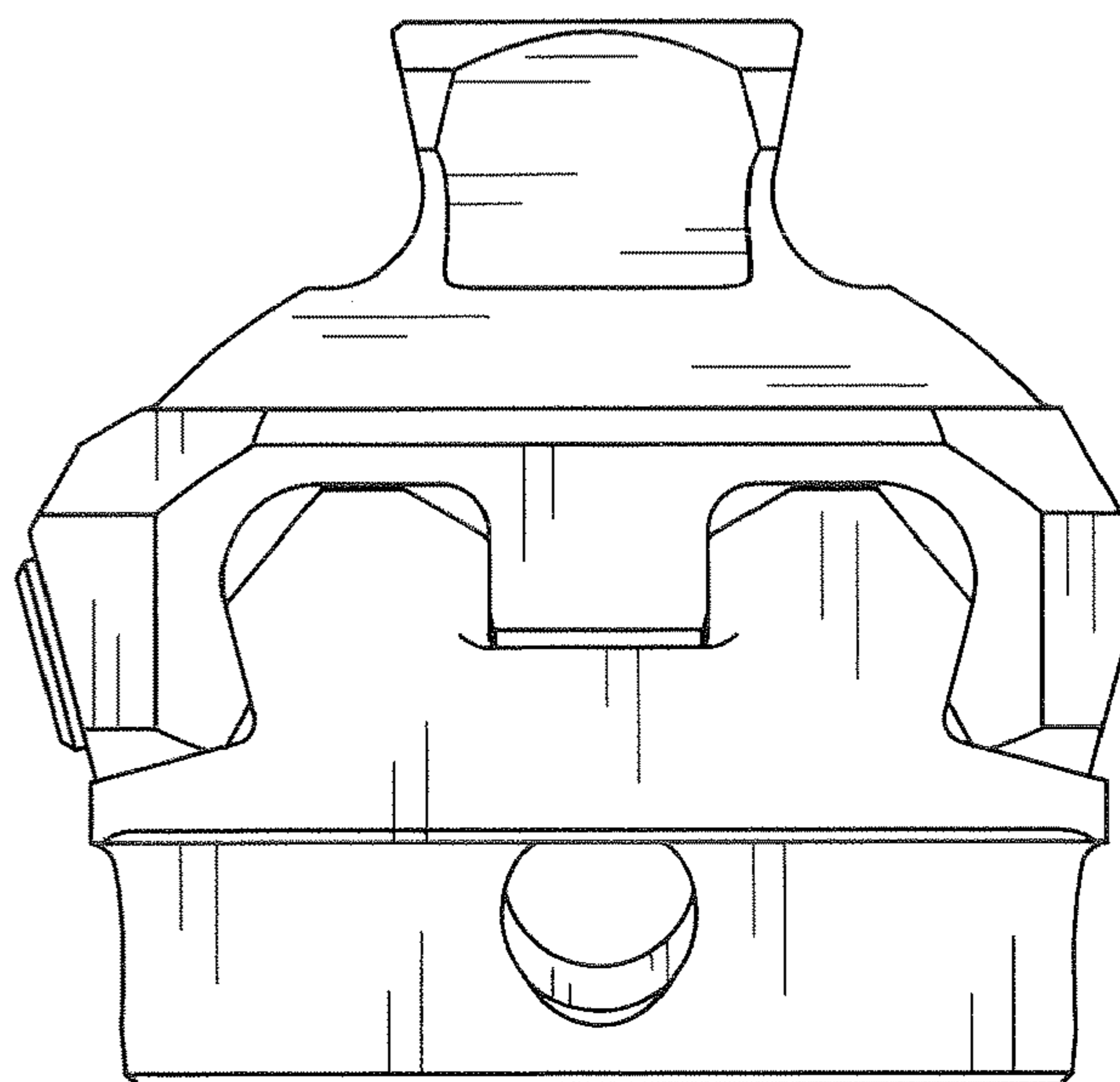


Fig.7

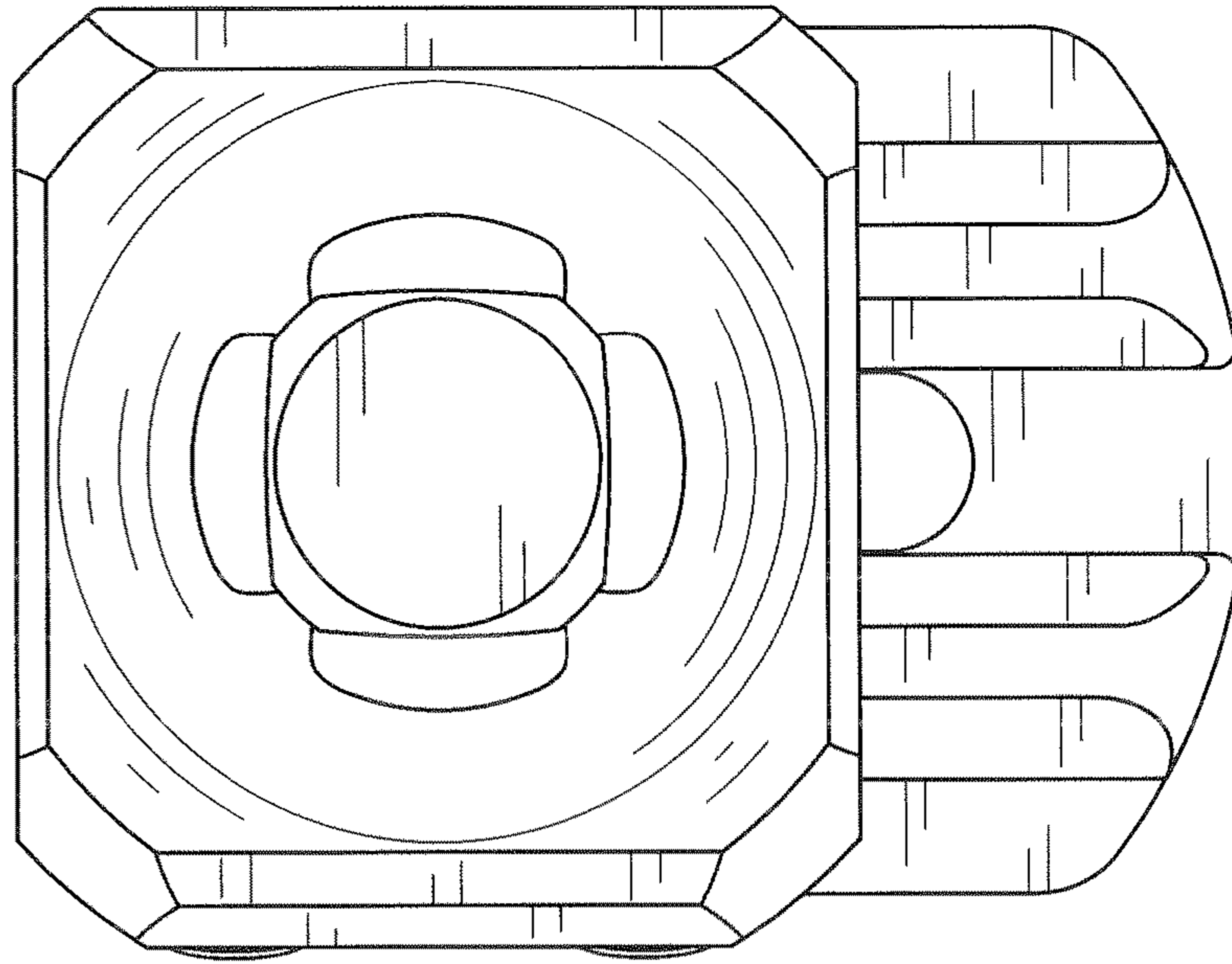


Fig.8

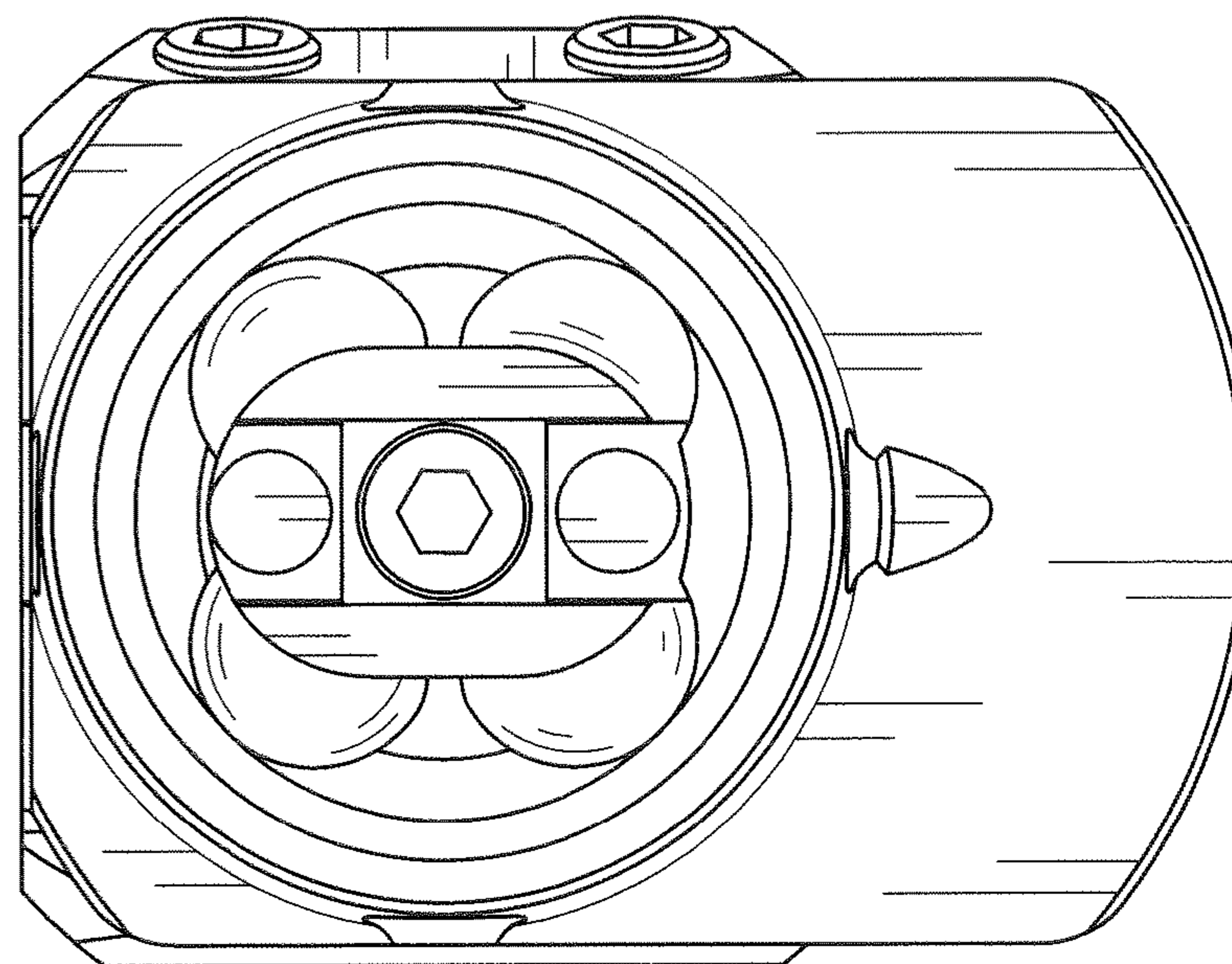




Fig.9

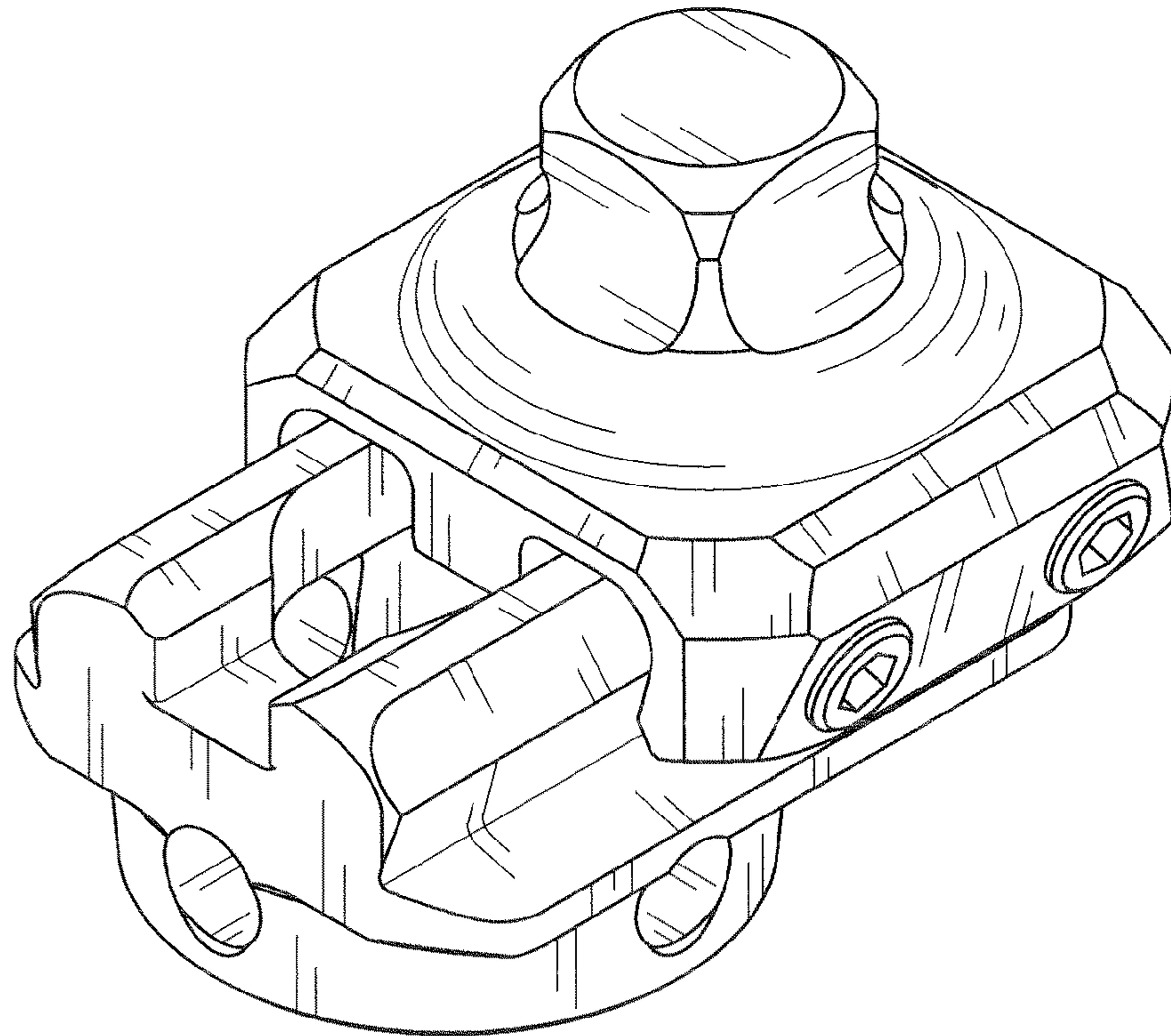


Fig.10

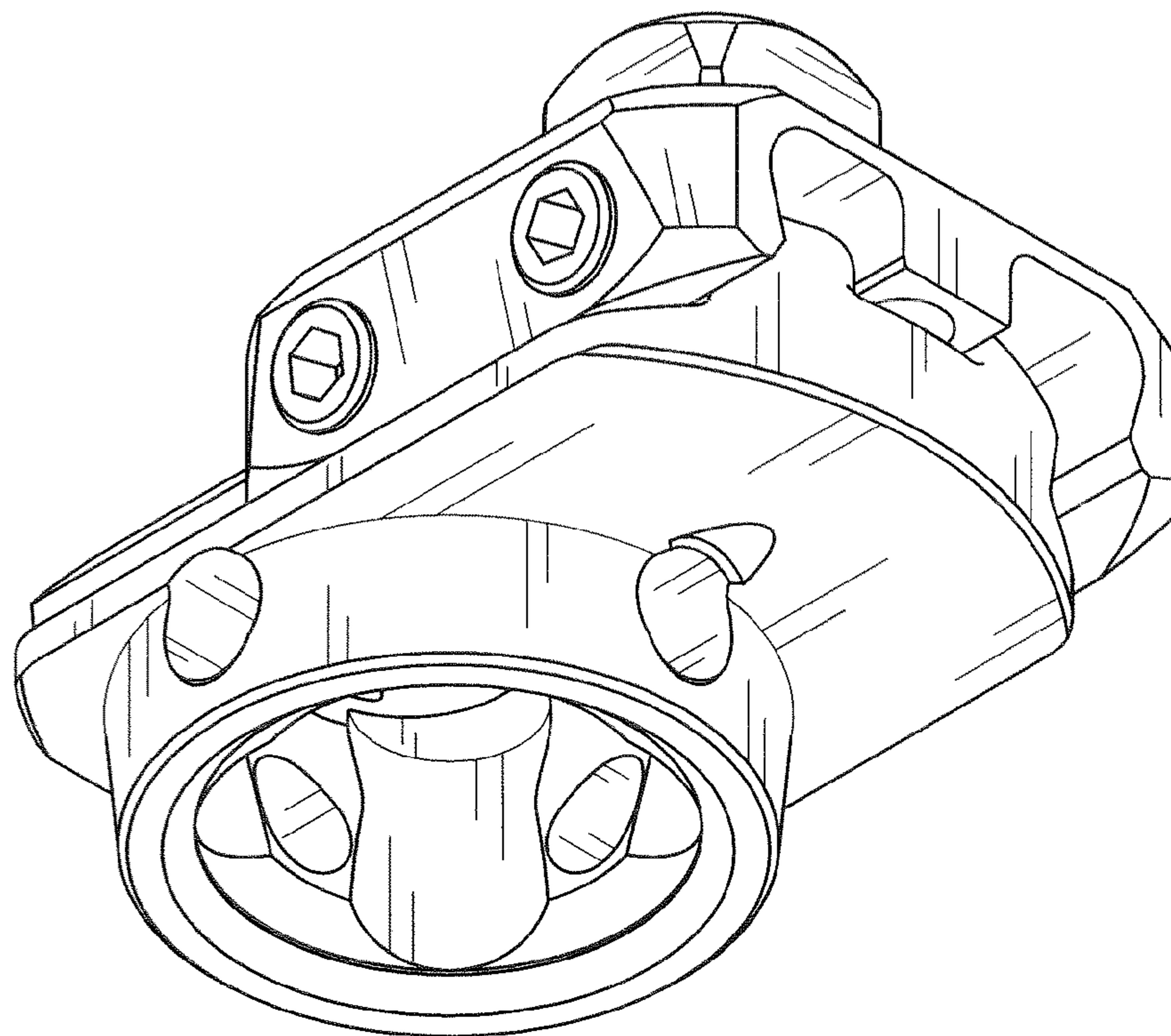


Fig.11

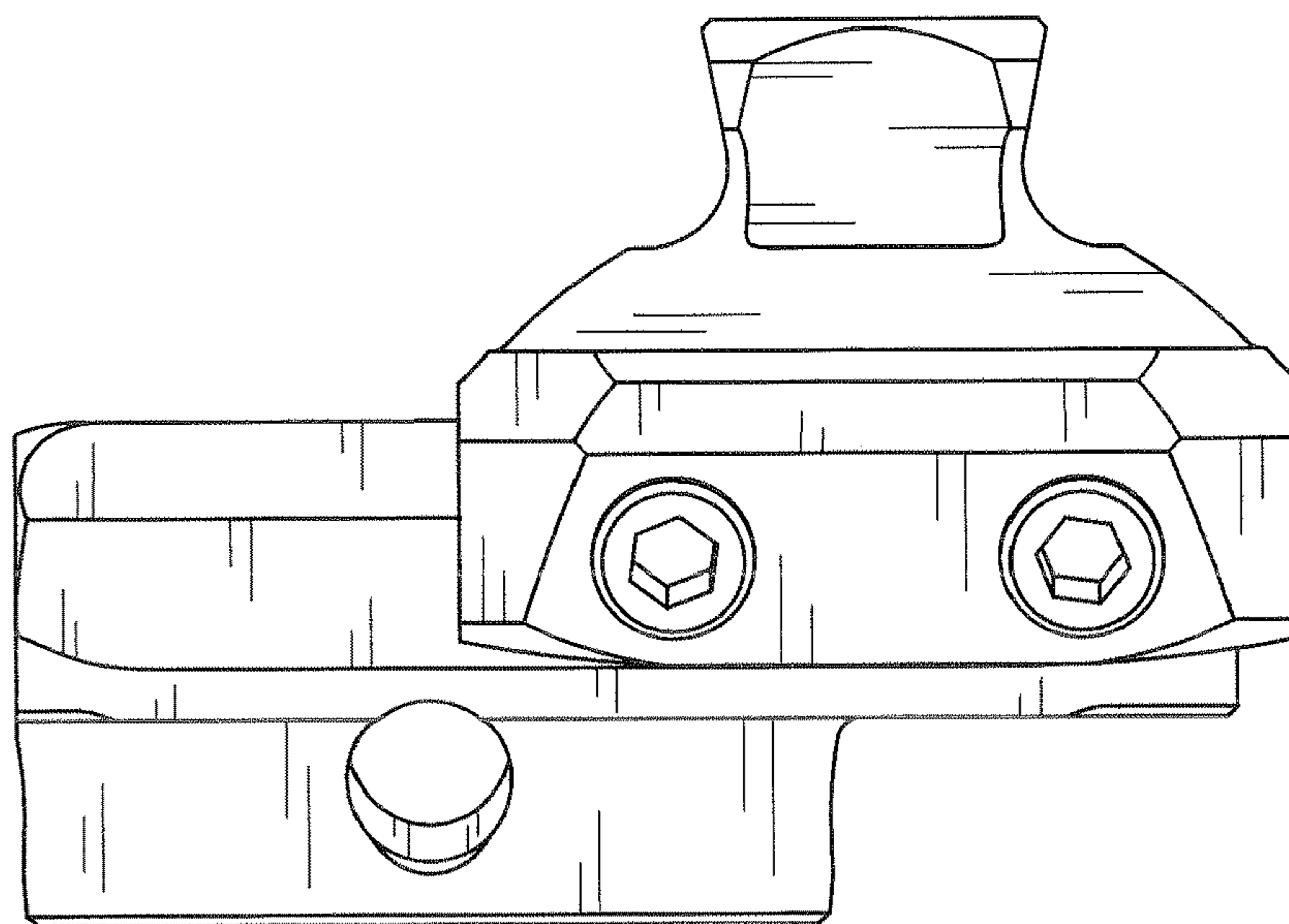


Fig.12

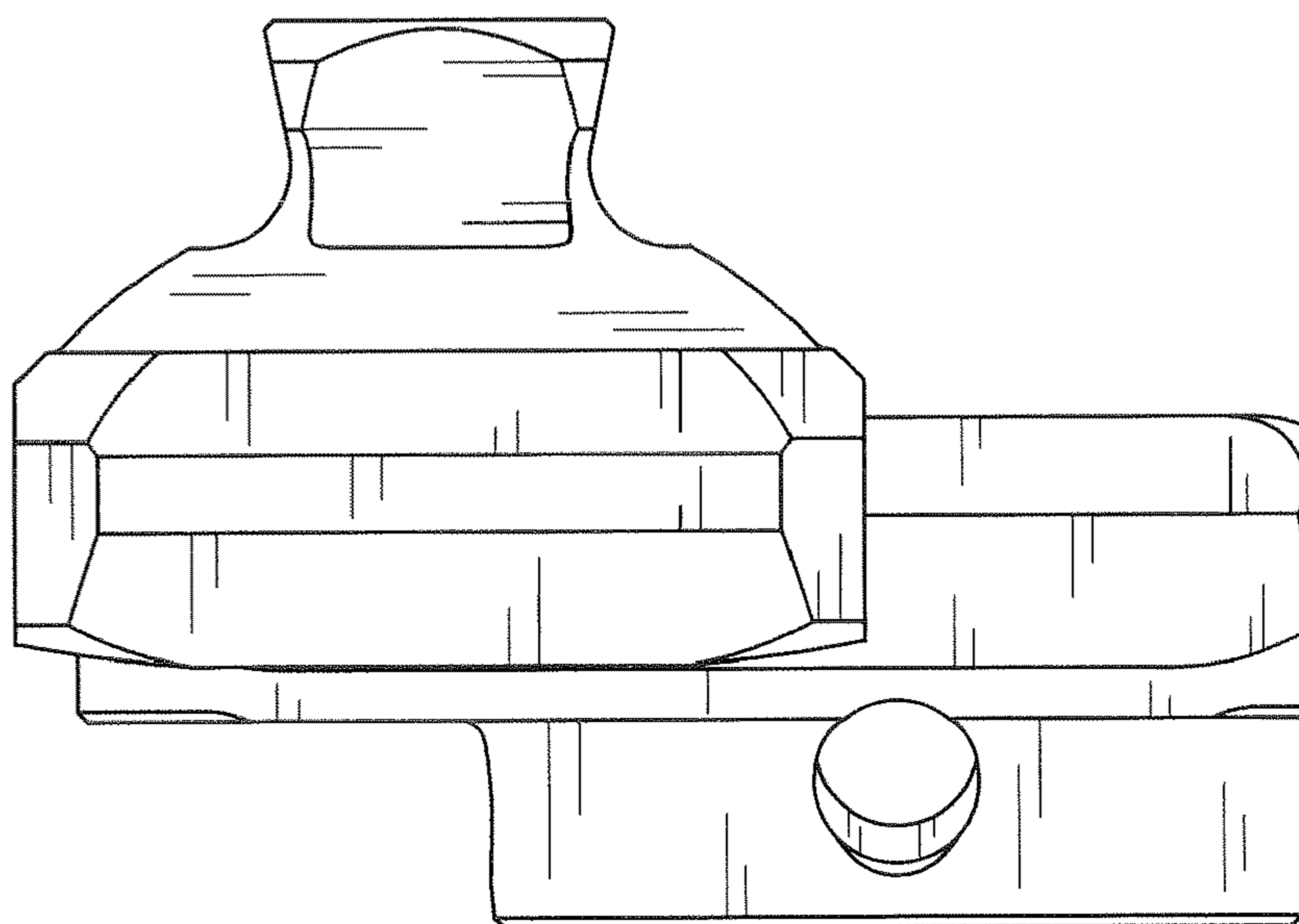




Fig. 13

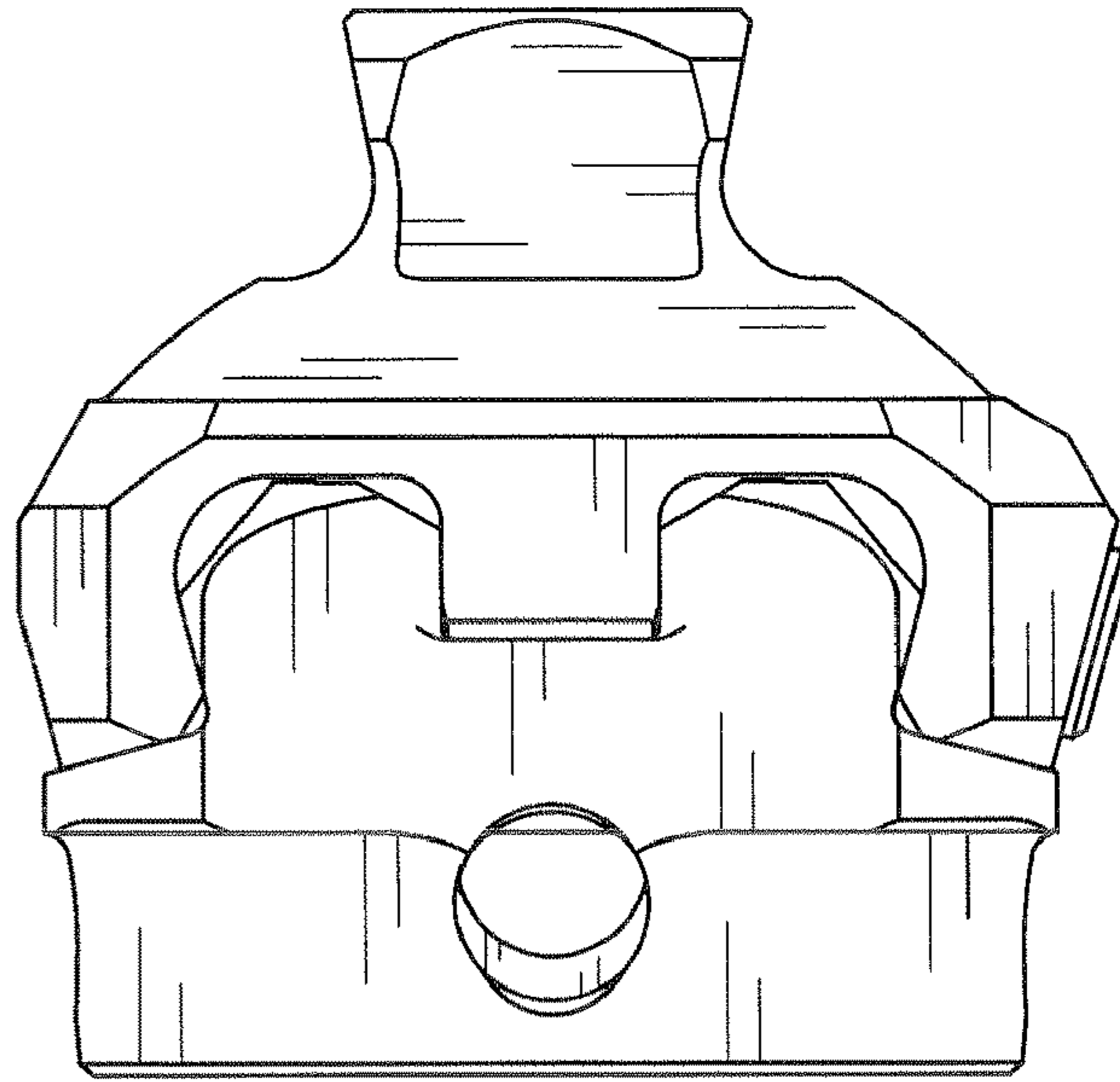


Fig. 14

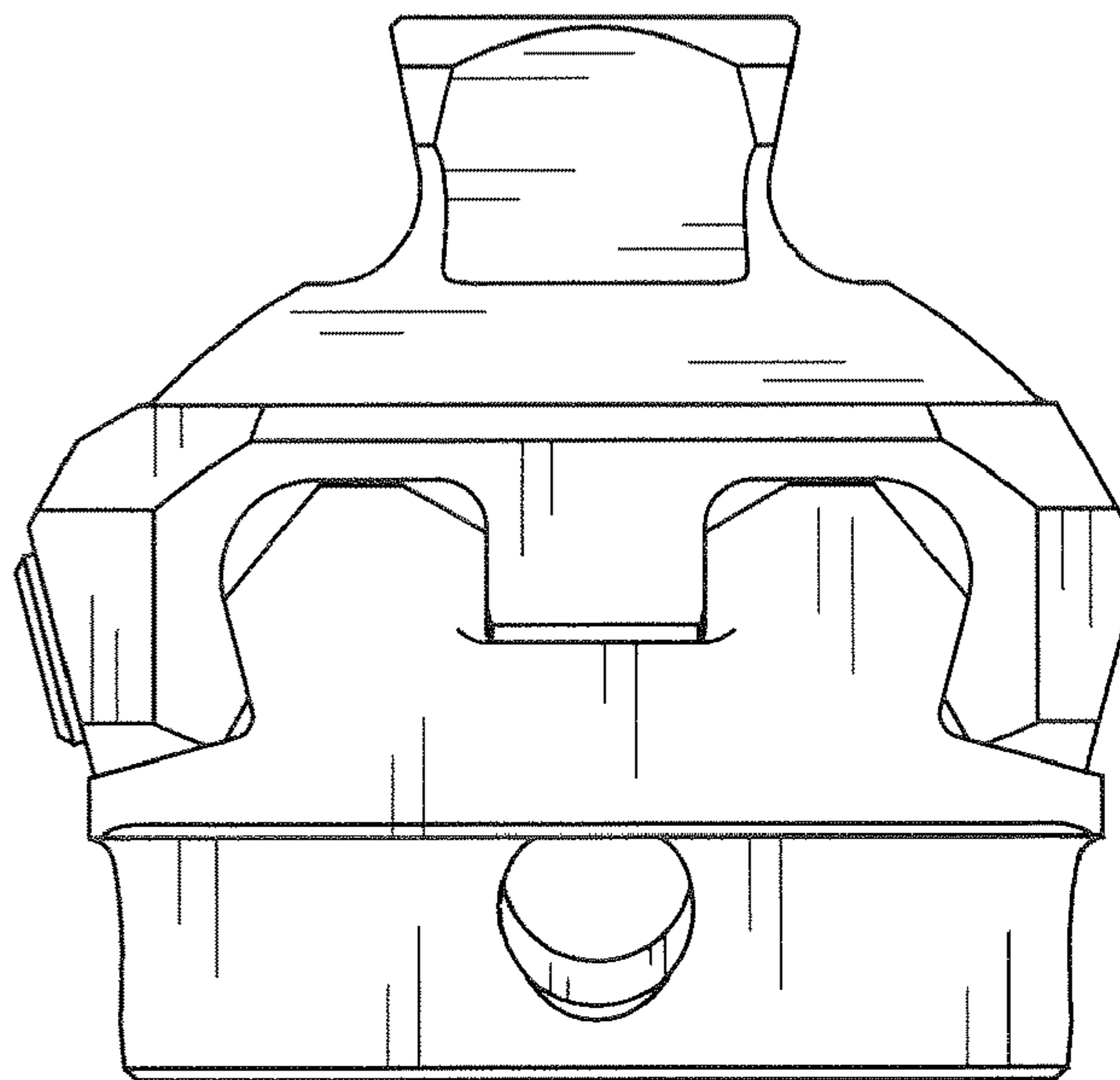


Fig. 15

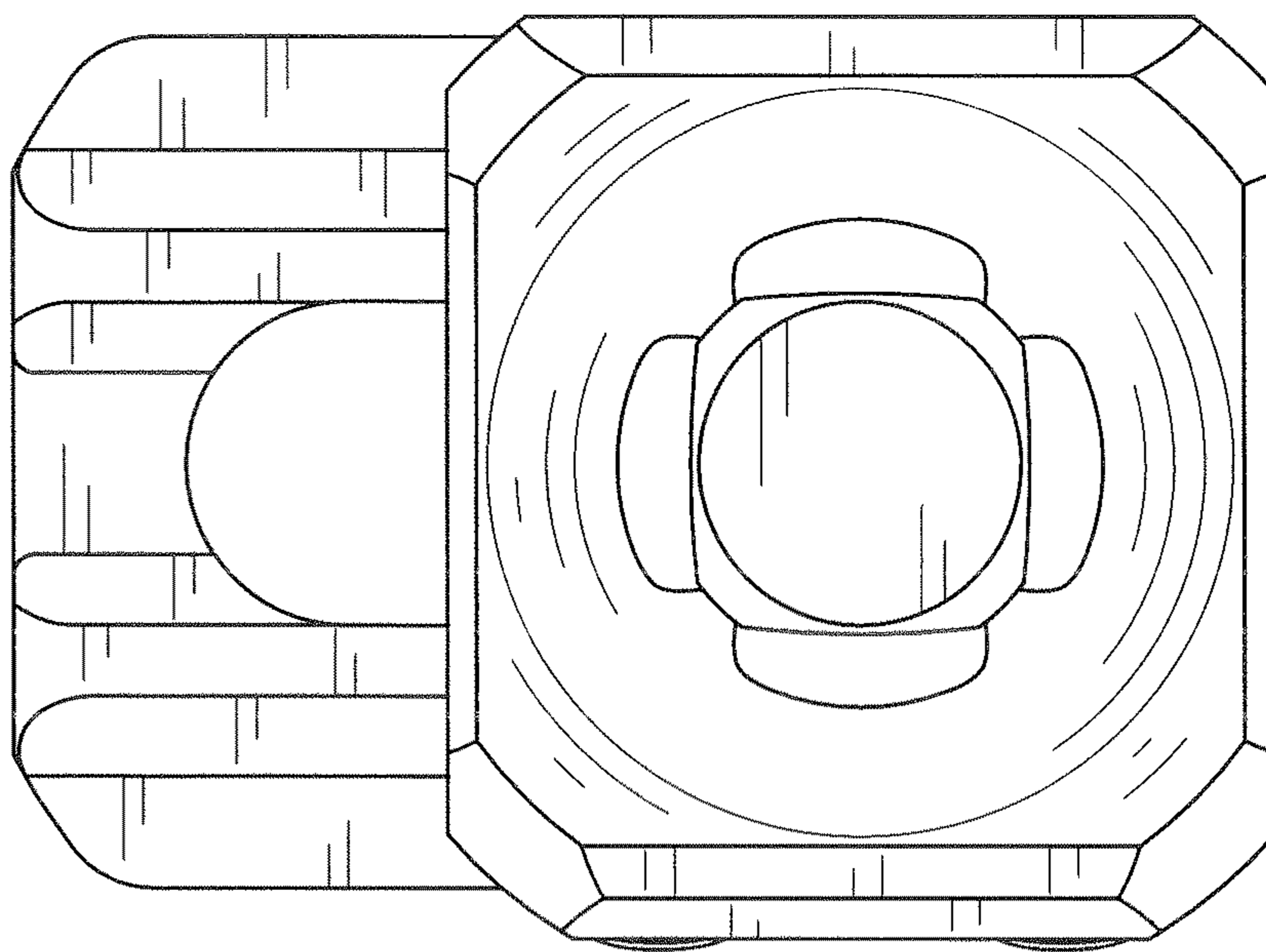


Fig. 16

