



US00D617459S

(12) **United States Design Patent**
Bogue

(10) **Patent No.:** **US D617,459 S**
(45) **Date of Patent:** **** Jun. 8, 2010**

(54) **PROSTHETIC VALVE**

(76) Inventor: **David Robert Bogue**, P.O. Box 301,
Layton, NJ (US) 07851

(**) Term: **14 Years**

(21) Appl. No.: **29/325,611**

(22) Filed: **Oct. 3, 2008**

(51) **LOC (9) Cl.** **24-03**

(52) **U.S. Cl.** **D24/155; D12/197**

(58) **Field of Classification Search** D24/155,
D24/156, 180, 176; 433/173, 176, 125, 126;
606/304, 74, 72; 623/25, 33, 34; D23/250;
D8/312; D12/197

See application file for complete search history.

(56) **References Cited**

U.S. PATENT DOCUMENTS

D143,807 S *	2/1946	Eastham	D8/312
2,533,404 A	12/1950	Sharp et al.		
2,569,790 A	10/1951	White et al.		
3,505,687 A *	4/1970	Prahl	623/33
2,790,180 A	4/1975	Hauser		
D271,843 S *	12/1983	Ferdinand et al.	D8/312
D324,986 S *	3/1992	Fratantonio et al.	D8/312
D334,806 S *	4/1993	Reif	D24/155
5,201,774 A	4/1993	Greene		
D353,357 S *	12/1994	Weinberg et al.	D12/197
5,658,353 A	8/1997	Layton		
6,334,876 B1	1/2002	Perkins		
6,544,292 B1	4/2003	Laghi		
6,979,355 B1	12/2005	Slemker		
D520,856 S *	5/2006	Osiecki et al.	D8/312
D589,776 S *	4/2009	Camp	D8/312
2002/0042659 A1 *	4/2002	Ingimarsson	623/33
2002/0103544 A1 *	8/2002	McDowell et al.	623/33

2005/0131550 A1	6/2005	Coop
2006/0079965 A1	4/2006	Benson
2007/0055383 A1	3/2007	King
2007/0112440 A1	5/2007	Perkins et al.
2007/0265711 A1	11/2007	Klein
2008/0086218 A1	4/2008	Egilsson
2008/0147202 A1	6/2008	Danzig et al.

FOREIGN PATENT DOCUMENTS

TW	0298422	10/2006
WO	WO 84/00881 A1	3/1984
WO	WO 2008/061500 A2	5/2008

OTHER PUBLICATIONS

WWW.KINGSLEYMFG.COM, Advertisement for Quick Change Suction Valve printed on Aug. 18, 2008 from http://www.kingsleymfg.com/KMFGStore/Catalog_Product.asp?dept_id=0AFDB5C5-319..., 1 page.

* cited by examiner

Primary Examiner—Charles A Rademaker
(74) *Attorney, Agent, or Firm*—Law Offices of Rita C. Chipperson, P.C.

(57) **CLAIM**

The ornamental design for a prosthetic valve, as shown and described.

DESCRIPTION

FIG. 1 is a perspective view of a prosthetic valve;
FIG. 2 is a top plan view thereof;
FIG. 3 is an elevational view thereof;
FIG. 4 is a bottom plan view thereof; and,
FIG. 5 is a cross-sectional view thereof taken along lines 5—5 of FIG. 2.

1 Claim, 4 Drawing Sheets

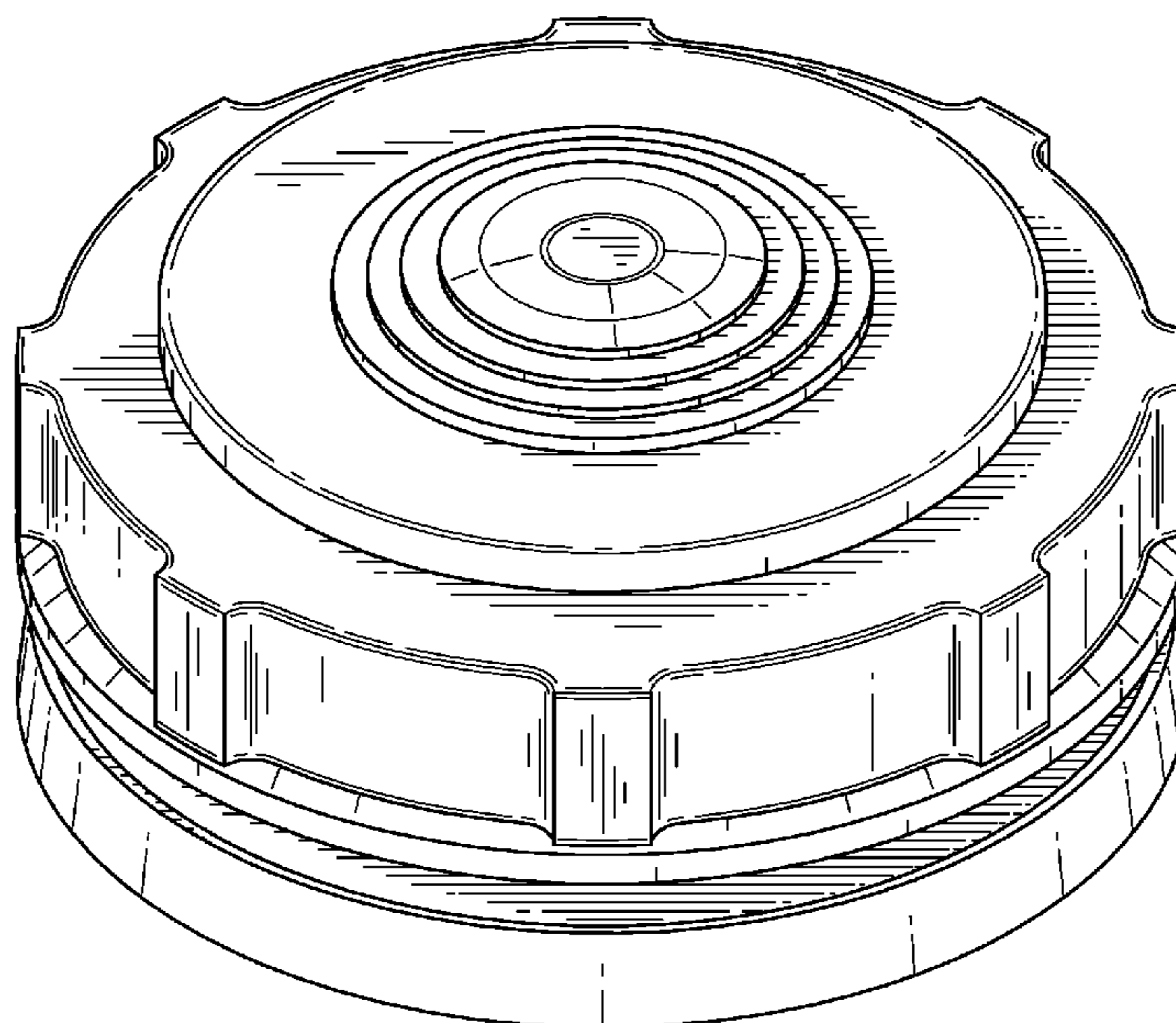


FIG. 1

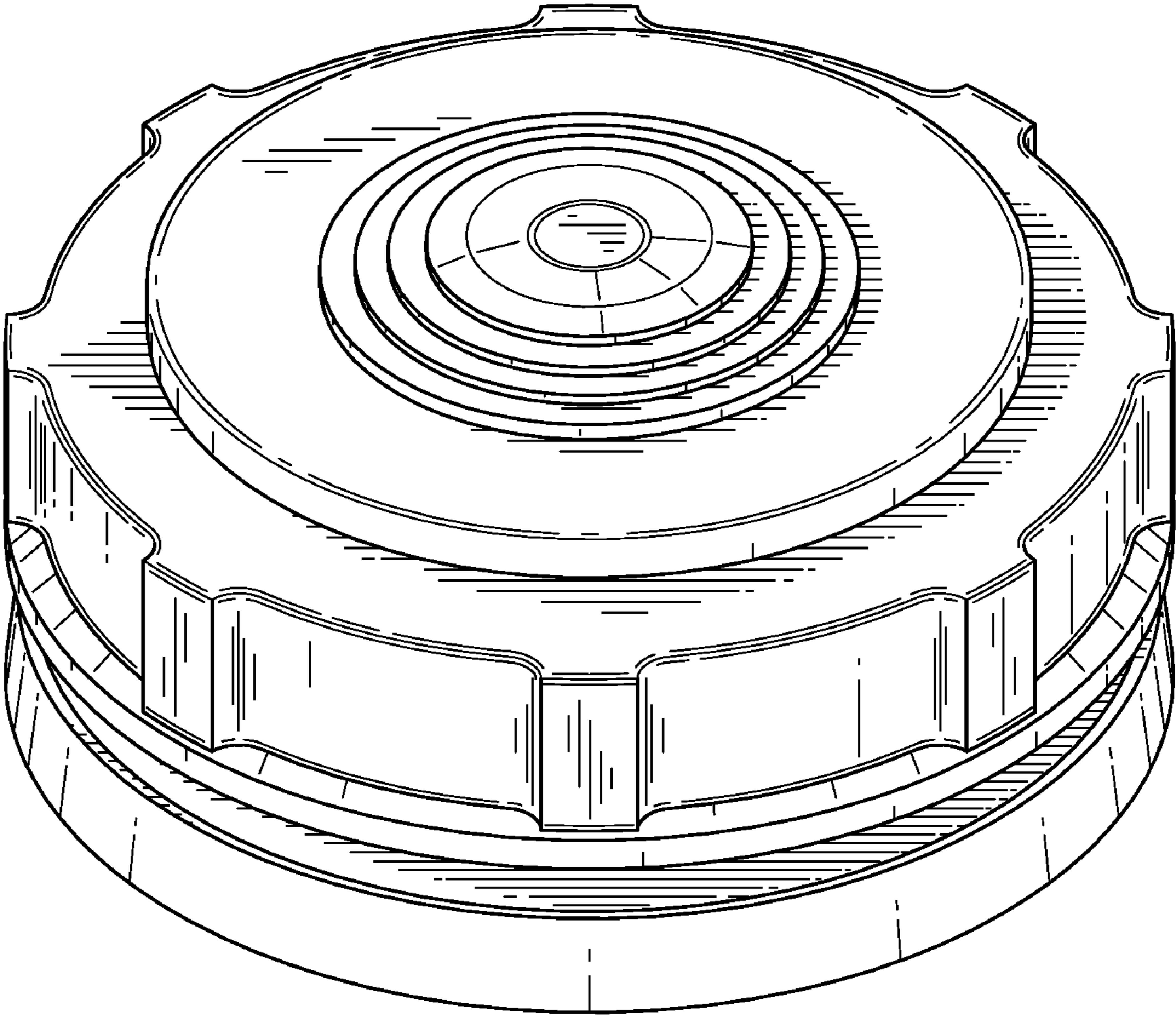


FIG. 2

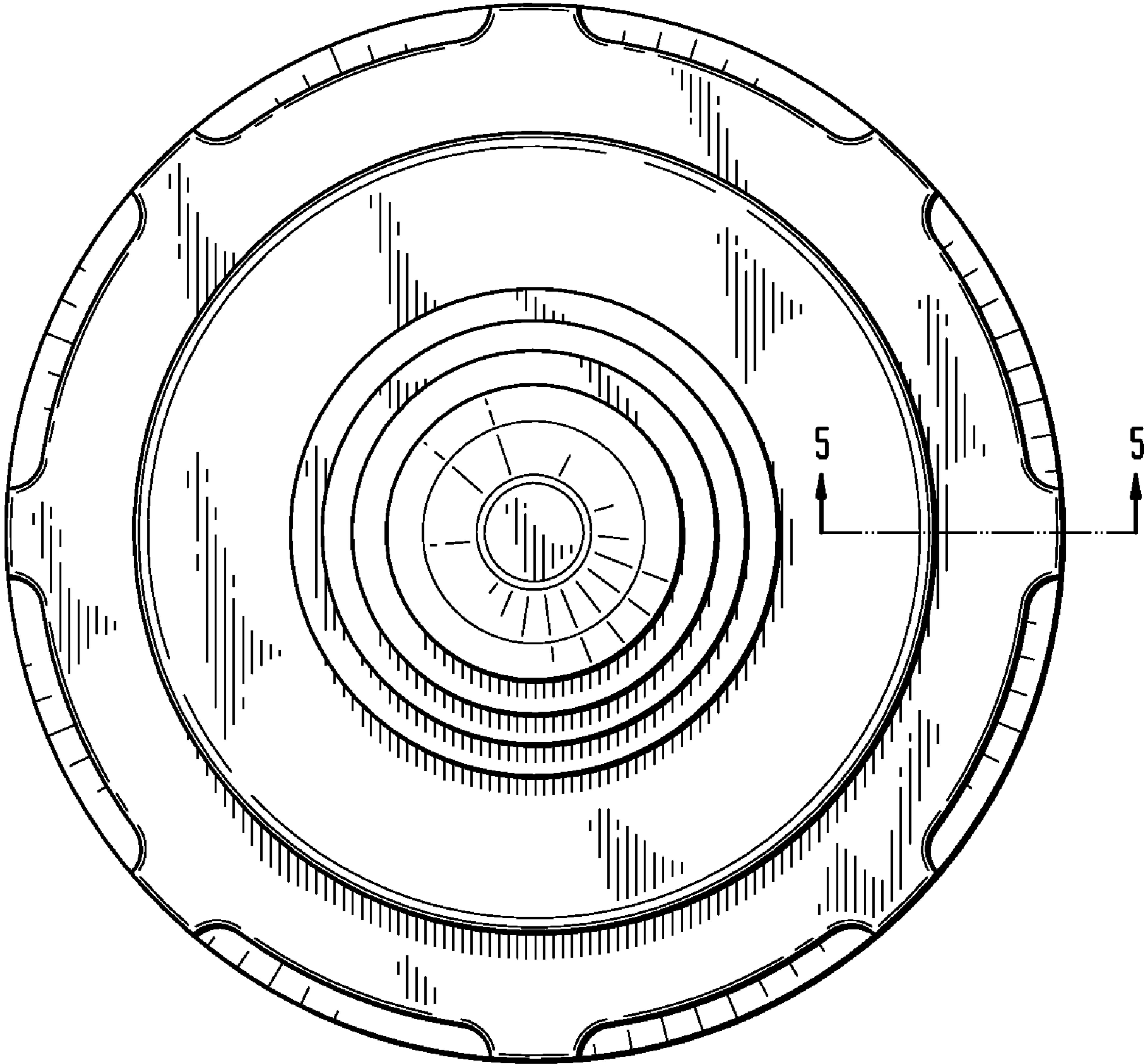


FIG. 3

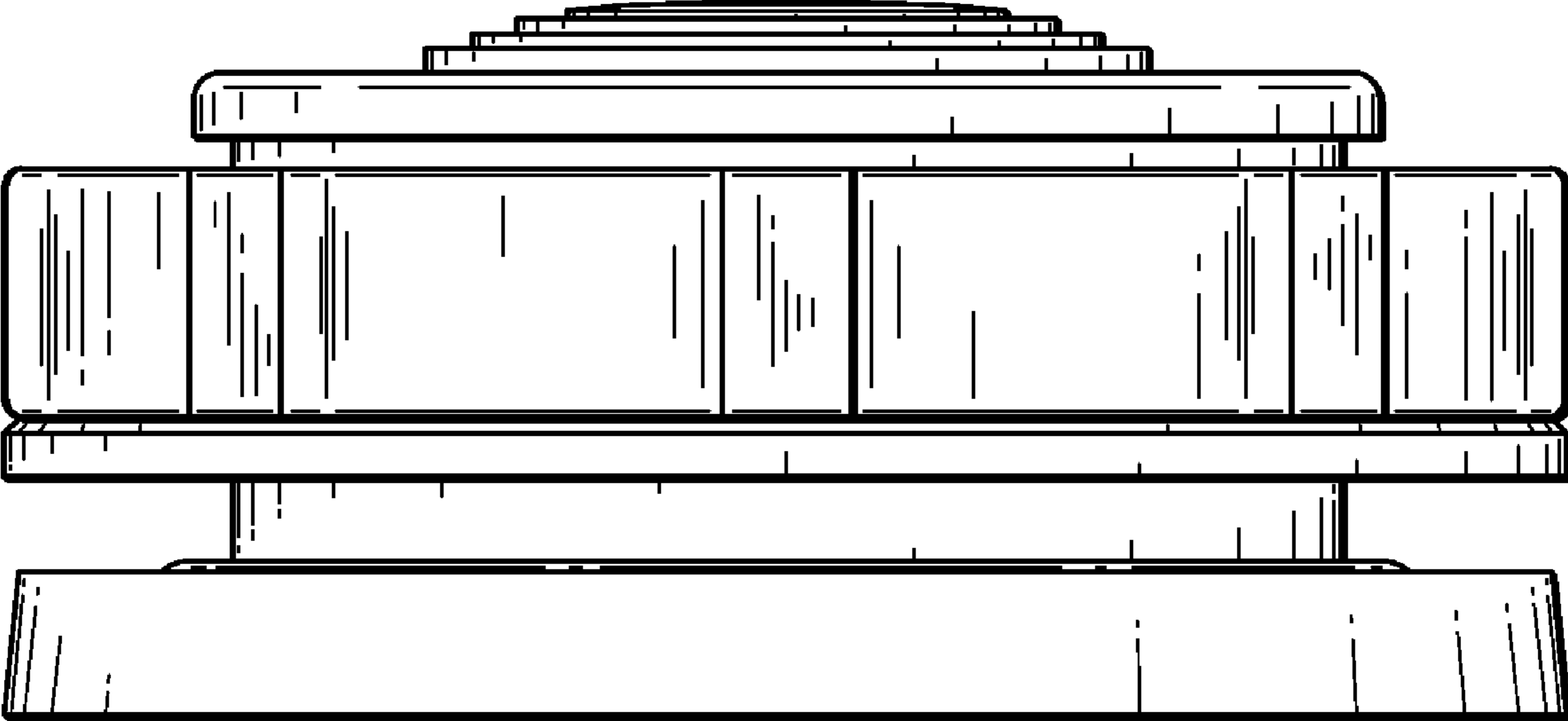


FIG. 4

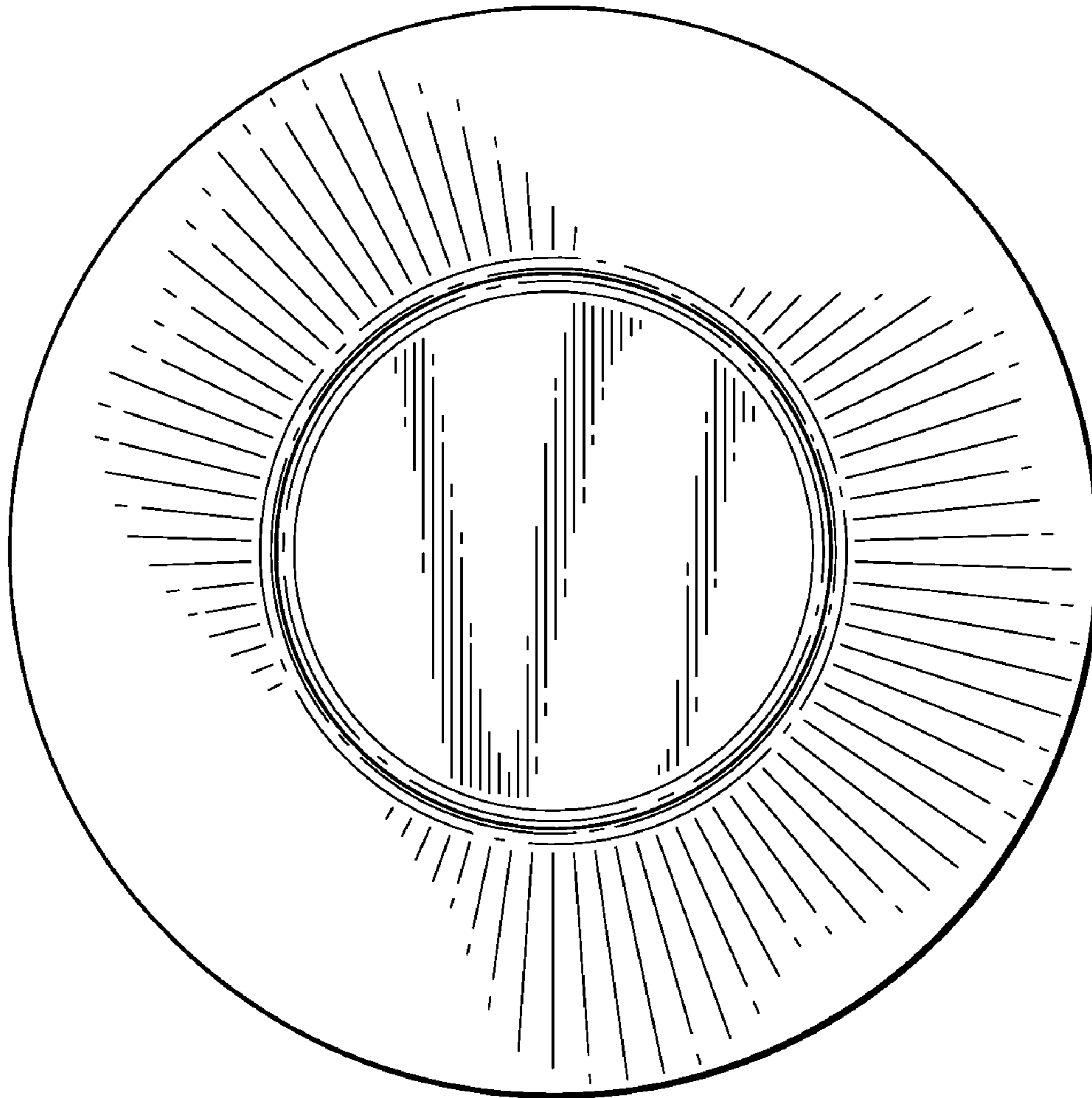


FIG. 5

