



US00D617456S

(12) **United States Design Patent**
Ott et al.

(10) **Patent No.:** **US D617,456 S**
(45) **Date of Patent:** **** *Jun. 8, 2010**

(54) **RETRACTOR**

(75) Inventors: **Ingo Ott**, Darmstadt (DE); **Rainer Hermie**, Gosheim (DE)

(73) Assignee: **Karl Storz GmbH & Co. KG** (DE)

(*) Notice: This patent is subject to a terminal disclaimer.

(**) Term: **14 Years**

(21) Appl. No.: **29/332,625**

(22) Filed: **Feb. 20, 2009**

(30) **Foreign Application Priority Data**

Aug. 25, 2008 (EM) 000991518

(51) **LOC (9) Cl.** **24-02**

(52) **U.S. Cl.** **D24/135; D24/148**

(58) **Field of Classification Search** D24/133,
D24/135, 176, 152, 156, 140, 141, 143; 600/206,
600/214, 164, 157, 156, 200, 113, 135, 138,
600/121, 131, 153; 606/191, 196, 197, 198;
D8/52, 56, 57

See application file for complete search history.

(56) **References Cited**

U.S. PATENT DOCUMENTS

3,038,467 A * 6/1962 Sovatkin 600/219
D314,826 S * 2/1991 Torre D24/135
D448,080 S * 9/2001 Moscarelli et al. D24/135

D566,268 S * 4/2008 Koros et al. D24/135
D578,648 S * 10/2008 Wood D24/143
2005/0027170 A1 * 2/2005 Nohara et al. 600/219
2005/0215864 A1 * 9/2005 Jang 600/217

OTHER PUBLICATIONS

Storz Advertising Literature—"Endoscopes and Instruments for Ent Esophagoscopy—Bronchoscopy" catalog 8th edition, Jan. 2007, 2 pages.

* cited by examiner

Primary Examiner—Charles A Rademaker

Assistant Examiner—Charles D Hanson

(74) *Attorney, Agent, or Firm*—St. Onge Steward Johnston & Reens LLC

(57) **CLAIM**

The ornamental design for a retractor, as shown and described.

DESCRIPTION

FIG. 1 is a top isometric view of a retractor in accordance with the new design;

FIG. 2 is a top view thereof;

FIG. 3 is a bottom view thereof;

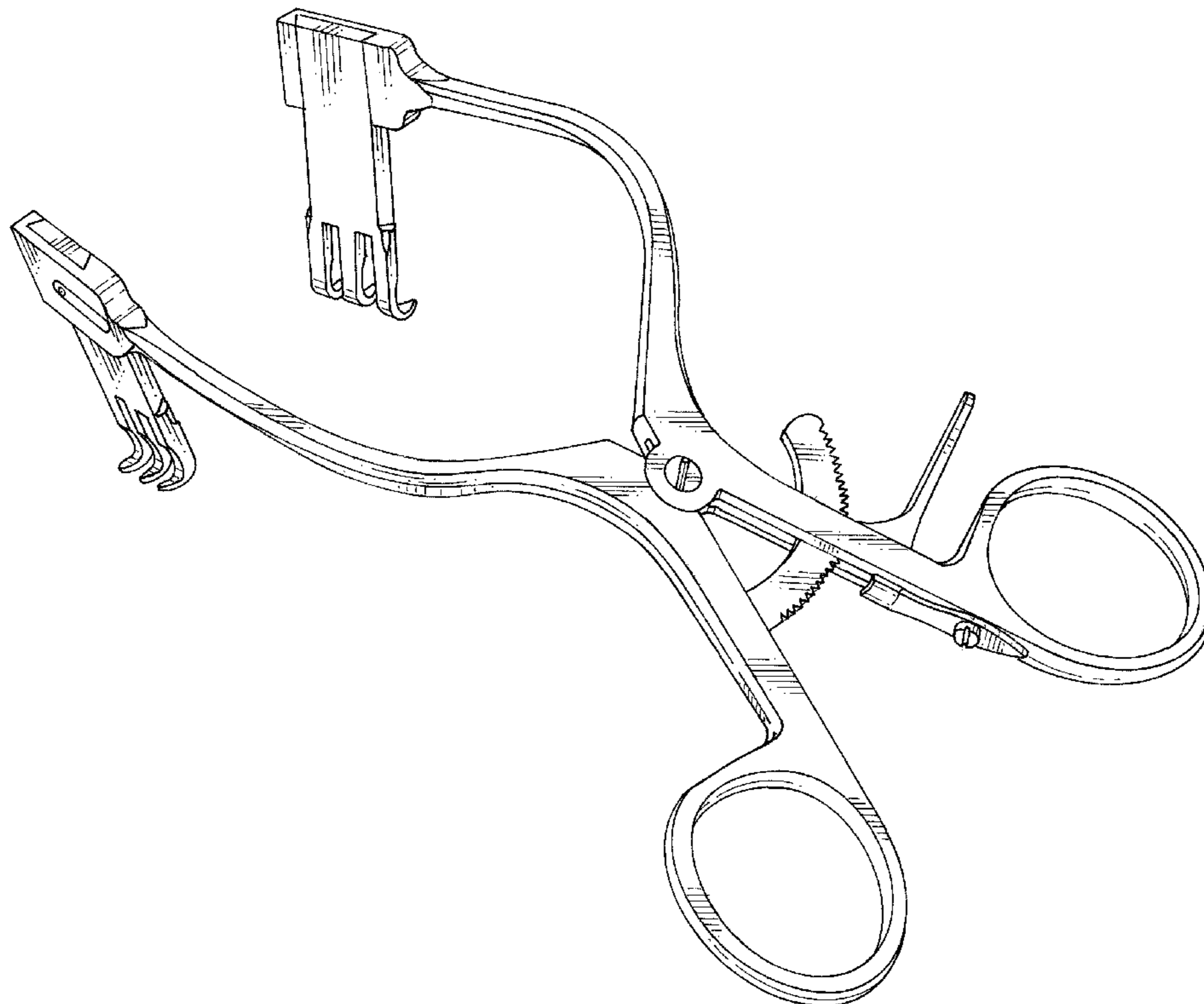
FIG. 4 is a left side view thereof;

FIG. 5 is a right side view thereof;

FIG. 6 is a front view thereof; and,

FIG. 7 is a rear view thereof.

1 Claim, 7 Drawing Sheets



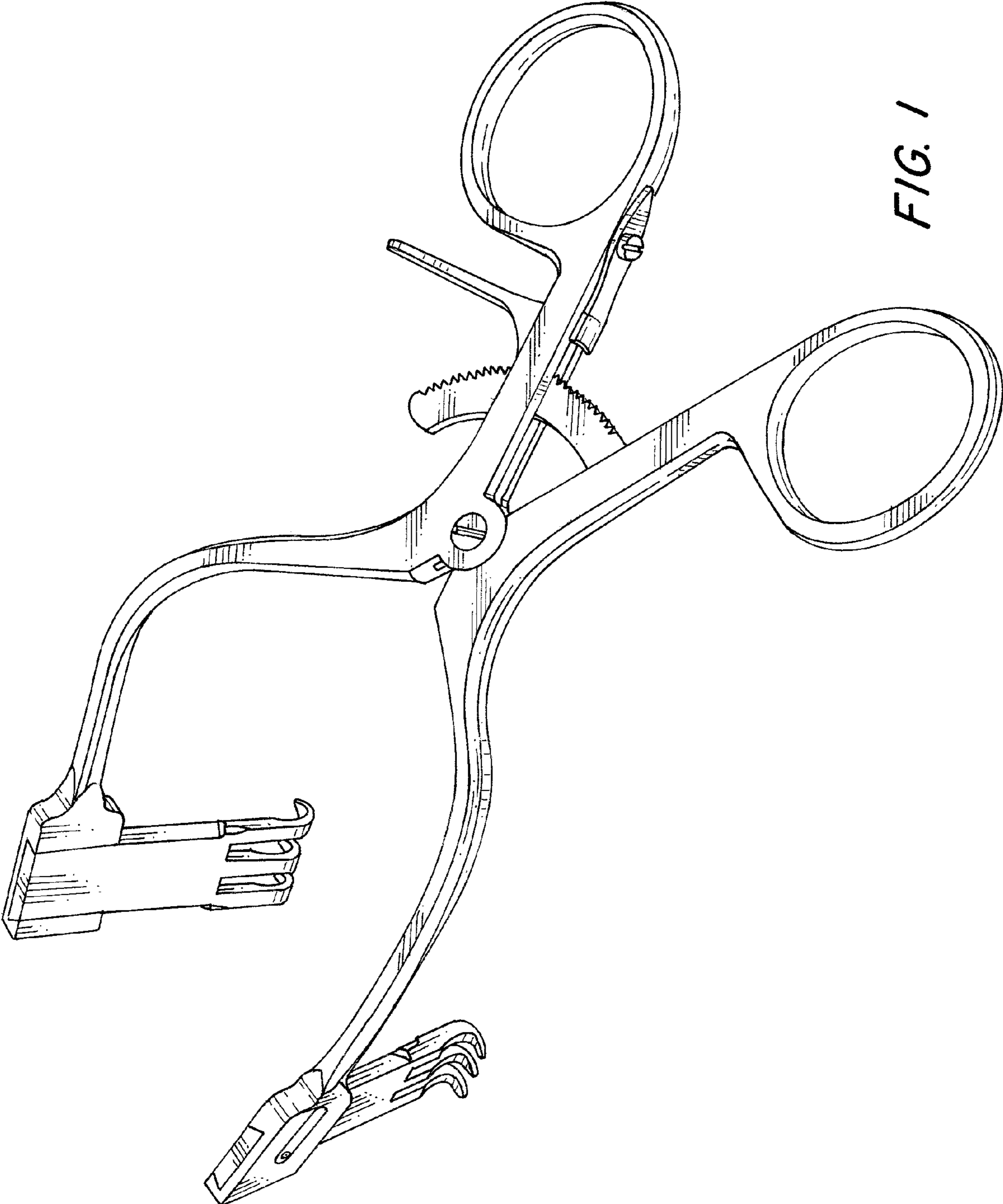


FIG. 1

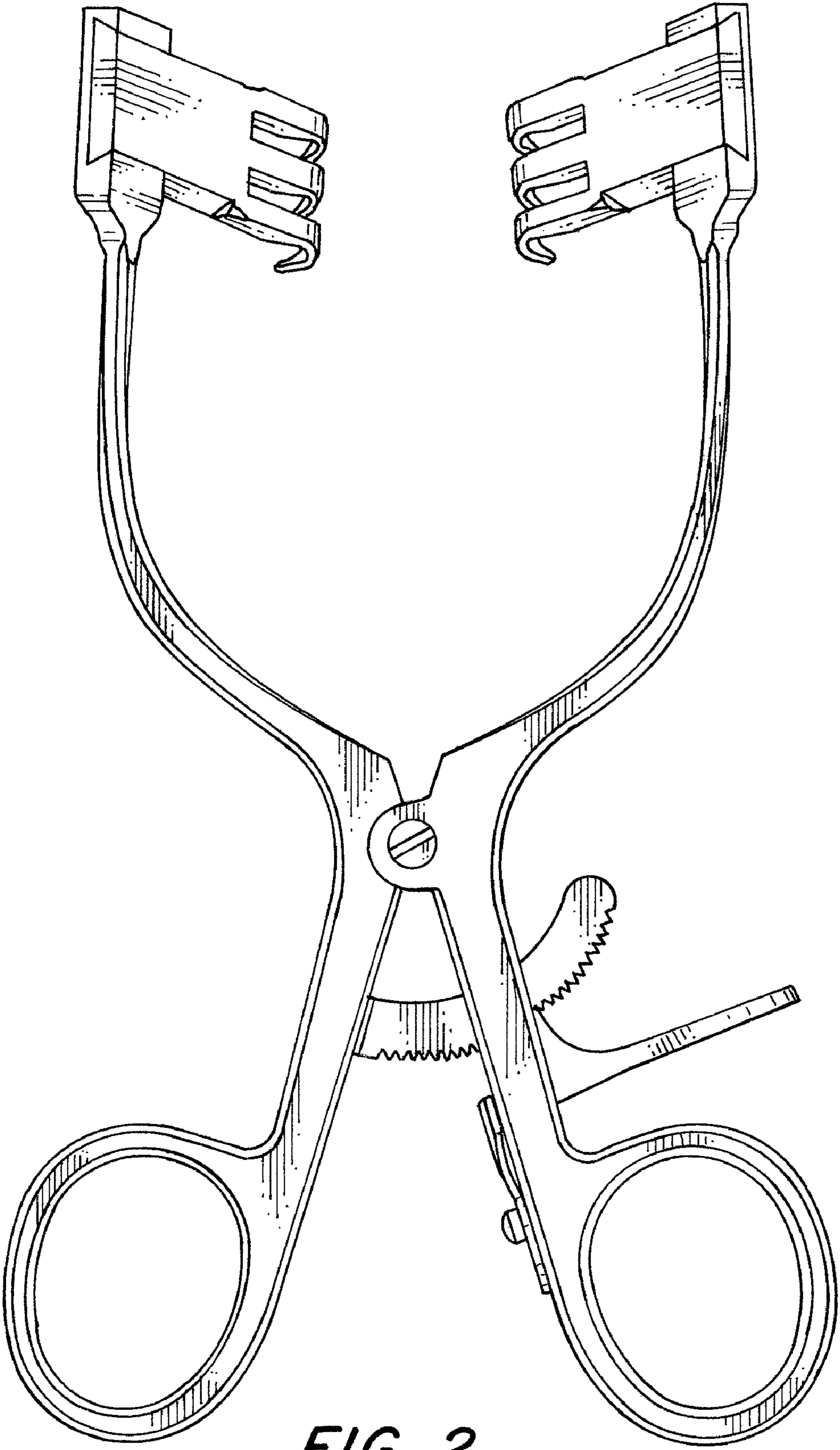


FIG. 2

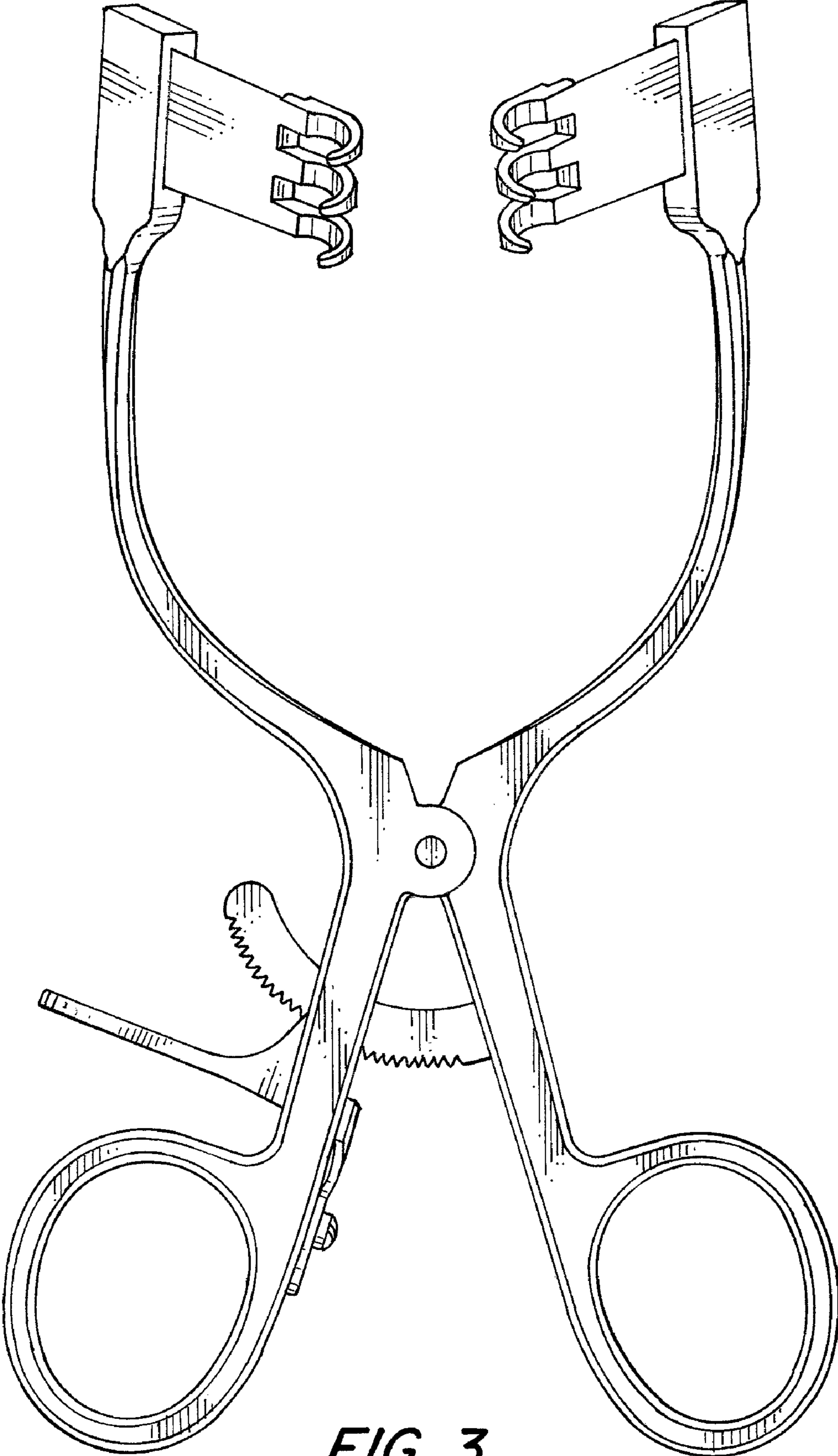


FIG. 3

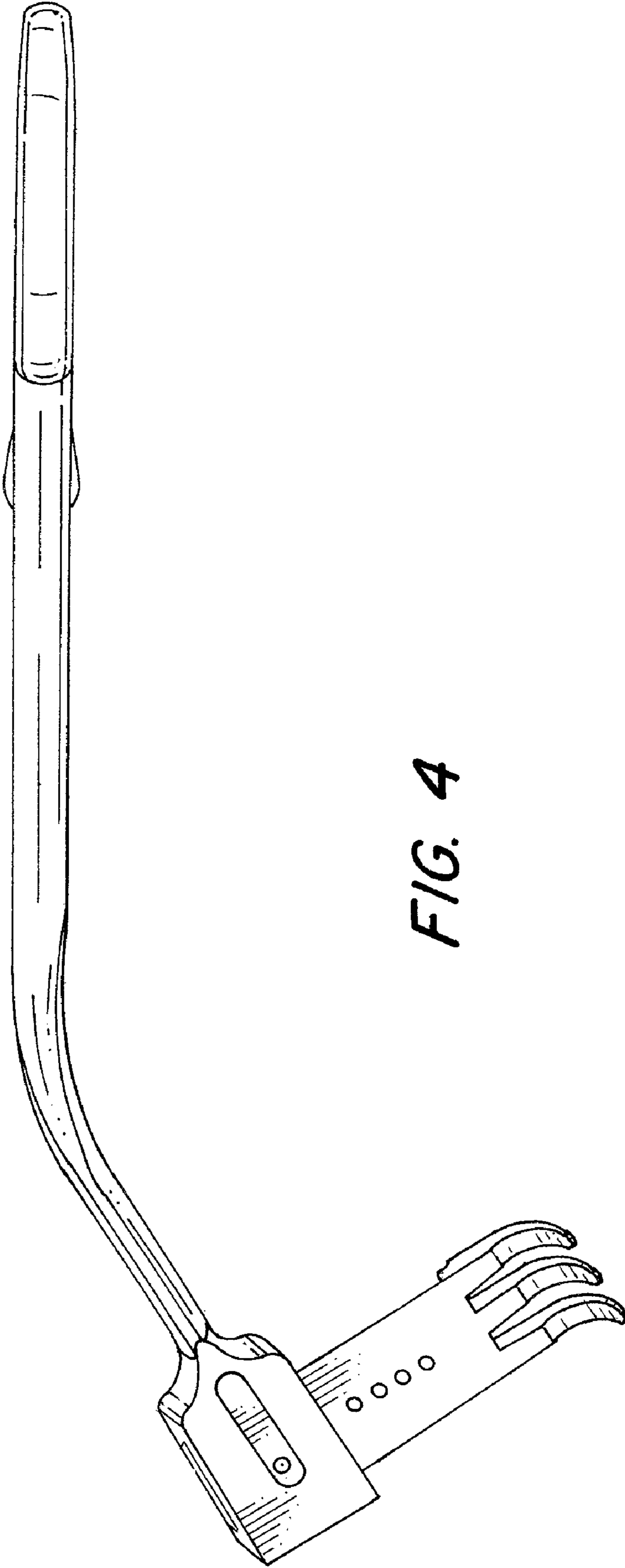


FIG. 4

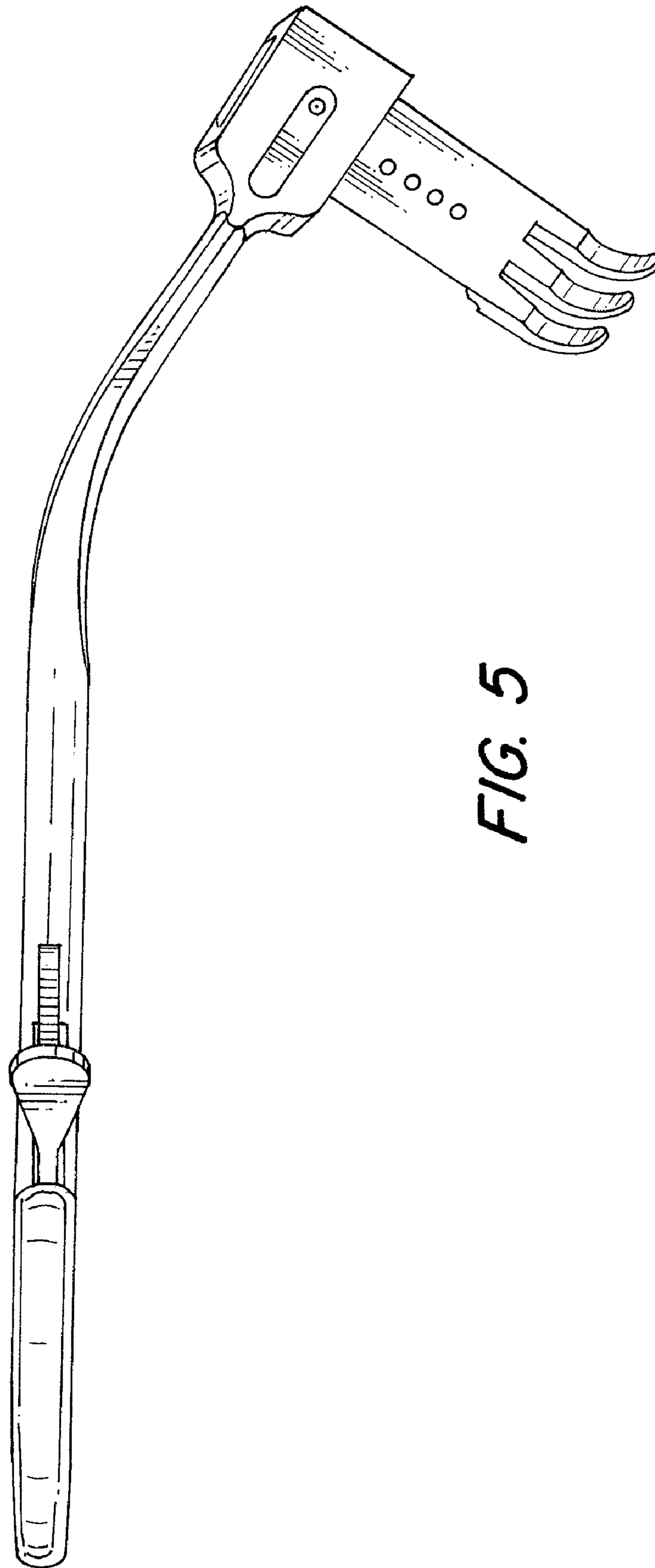


FIG. 5

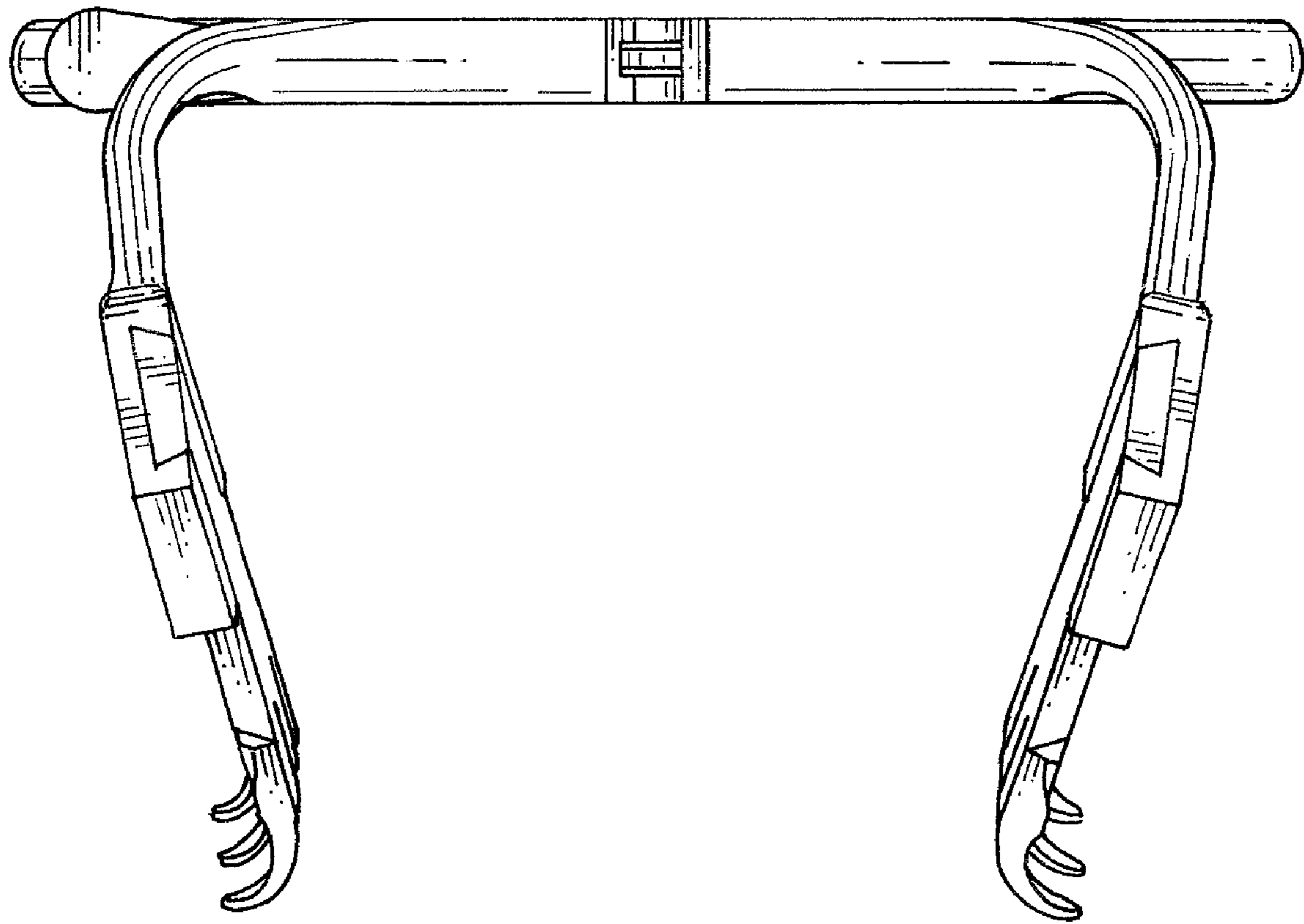


FIG. 6

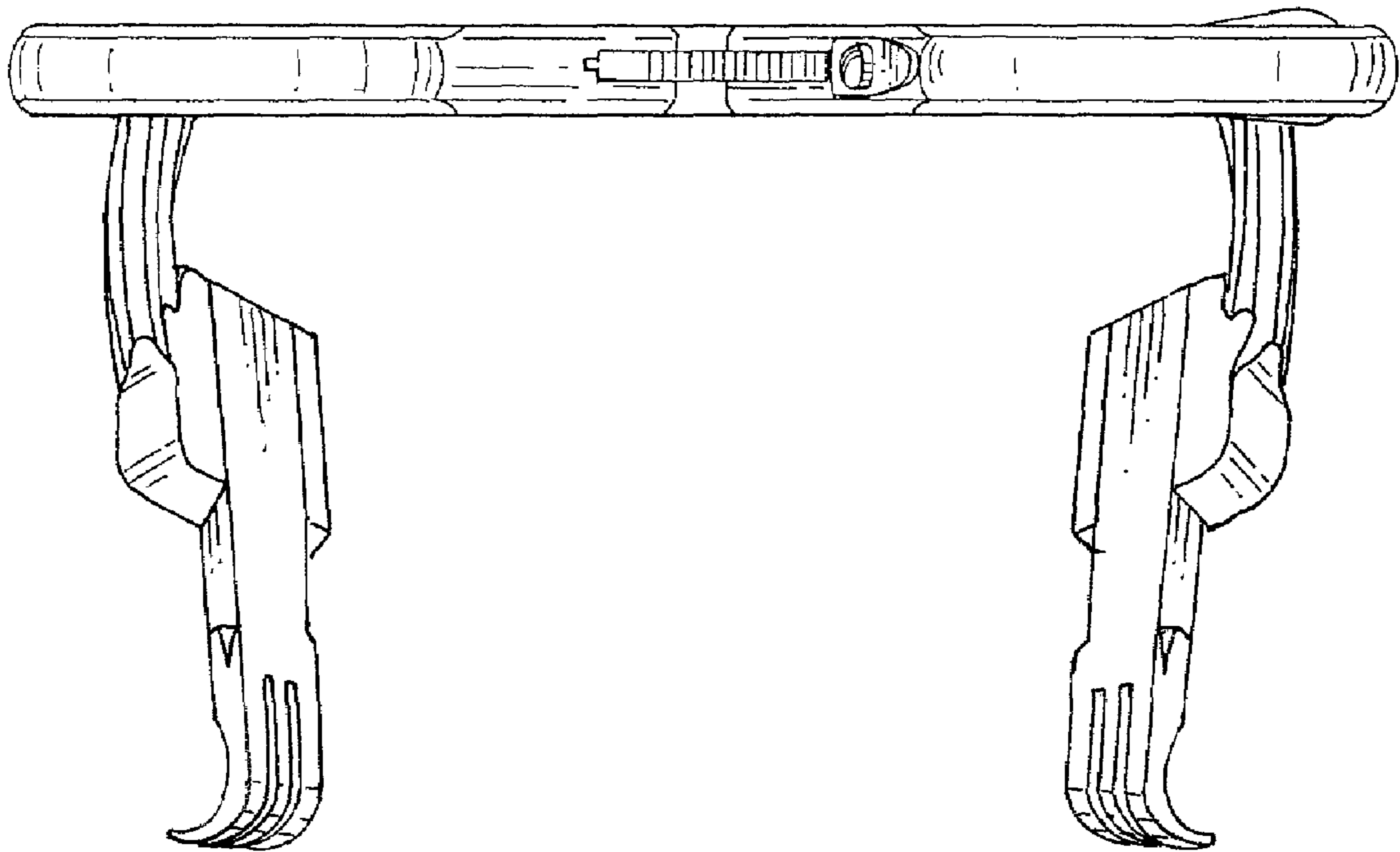


FIG. 7

UNITED STATES PATENT AND TRADEMARK OFFICE
CERTIFICATE OF CORRECTION

PATENT NO. : Des. 617,456 S
APPLICATION NO. : 29/332625
DATED : June 8, 2010
INVENTOR(S) : Ingo Ott et al.

Page 1 of 1

It is certified that error appears in the above-identified patent and that said Letters Patent is hereby corrected as shown below:

Title page item (75), should read:

-- Rainer Hermle, Gosheim (DE) --

Signed and Sealed this

Tenth Day of August, 2010

A handwritten signature in black ink that reads "David J. Kappos". The signature is written in a cursive, flowing style.

David J. Kappos
Director of the United States Patent and Trademark Office