



US00D617451S

(12) **United States Design Patent**  
**Hampton et al.**

(10) **Patent No.:** **US D617,451 S**  
(45) **Date of Patent:** **\*\* Jun. 8, 2010**

(54) **HOOK AND TOOL-LESS CLAMP**

(75) Inventors: **Linda M. Hampton**, Bristol, WI (US);  
**Ishwor P. Adhikari**, Mundelein, IL (US)

(73) Assignee: **Medline Industries Inc.**, Mundelein, IL (US)

(\*\*) Term: **14 Years**

(21) Appl. No.: **29/351,745**

(22) Filed: **Dec. 10, 2009**

(51) **LOC (9) Cl.** ..... **24-02**

(52) **U.S. Cl.** ..... **D24/128**

(58) **Field of Classification Search** ..... D24/127-130;  
248/320-321, 327-328, 318, 74.4, 316.2,  
248/316.4, 205.2, 68.1; 604/174, 177-180;  
128/DIG. 26

See application file for complete search history.

(56) **References Cited**

U.S. PATENT DOCUMENTS

D264,379	S	*	5/1982	Slinkard	.....	D24/128
4,332,378	A	*	6/1982	Pryor	.....	482/68
D269,121	S	*	5/1983	Pollard	.....	D24/128
D269,156	S	*	5/1983	Slinkard	.....	D8/396
D287,055	S	*	12/1986	Fick et al.	.....	D24/128
4,669,688	A	*	6/1987	Itoh et al.	.....	248/74.2
D291,650	S	*	9/1987	Monzen	.....	D24/128
4,744,536	A	*	5/1988	Bancalari	.....	248/125.8

D339,195	S	*	9/1993	Nash et al.	.....	D24/128
5,326,059	A	*	7/1994	Pryor et al.	.....	248/231.71
5,356,384	A	*	10/1994	Haber	.....	604/110
5,385,324	A	*	1/1995	Pryor et al.	.....	248/228.3
D376,974	S	*	12/1996	Chen	.....	D8/396
D466,212	S	*	11/2002	Koros et al.	.....	D24/135
6,880,930	B1	*	4/2005	Henderson	.....	351/158
D605,756	S	*	12/2009	Savage et al.	.....	D24/128

\* cited by examiner

*Primary Examiner*—T. Chase Nelson

*Assistant Examiner*—Eric L Goodman

(74) *Attorney, Agent, or Firm*—David S Noskowitz

(57) **CLAIM**

The ornamental design for a hook and tool-less clamp, as shown and described.

**DESCRIPTION**

FIG. 1 is a perspective view of an ornamental design for a hook and tool-less clamp.

FIG. 2 is a front view thereof.

FIG. 3 is a rear view thereof.

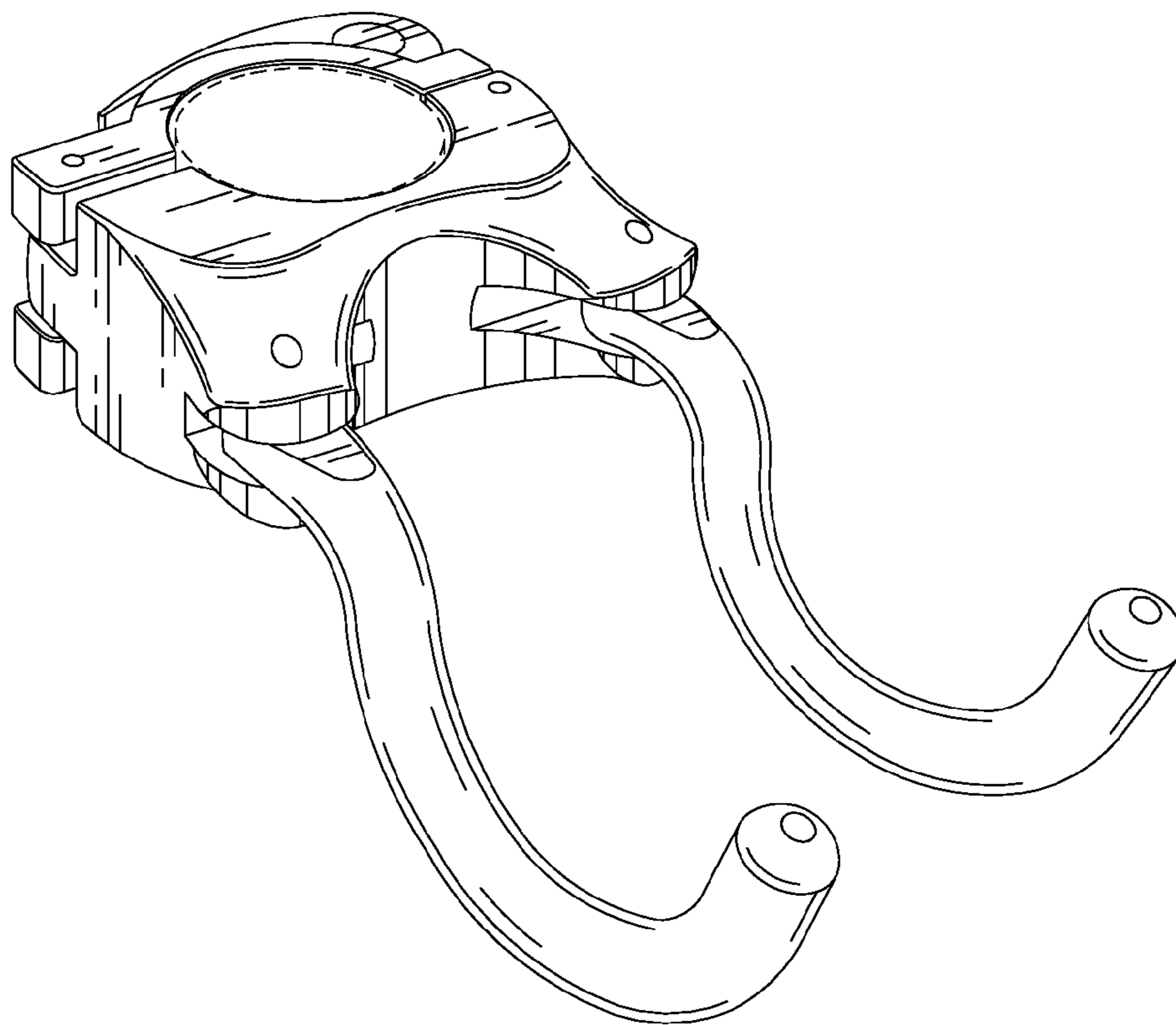
FIG. 4 is a first side view thereof.

FIG. 5 is a second side view thereof.

FIG. 6 is a top view thereof; and,

FIG. 7 is a bottom view thereof.

**1 Claim, 4 Drawing Sheets**



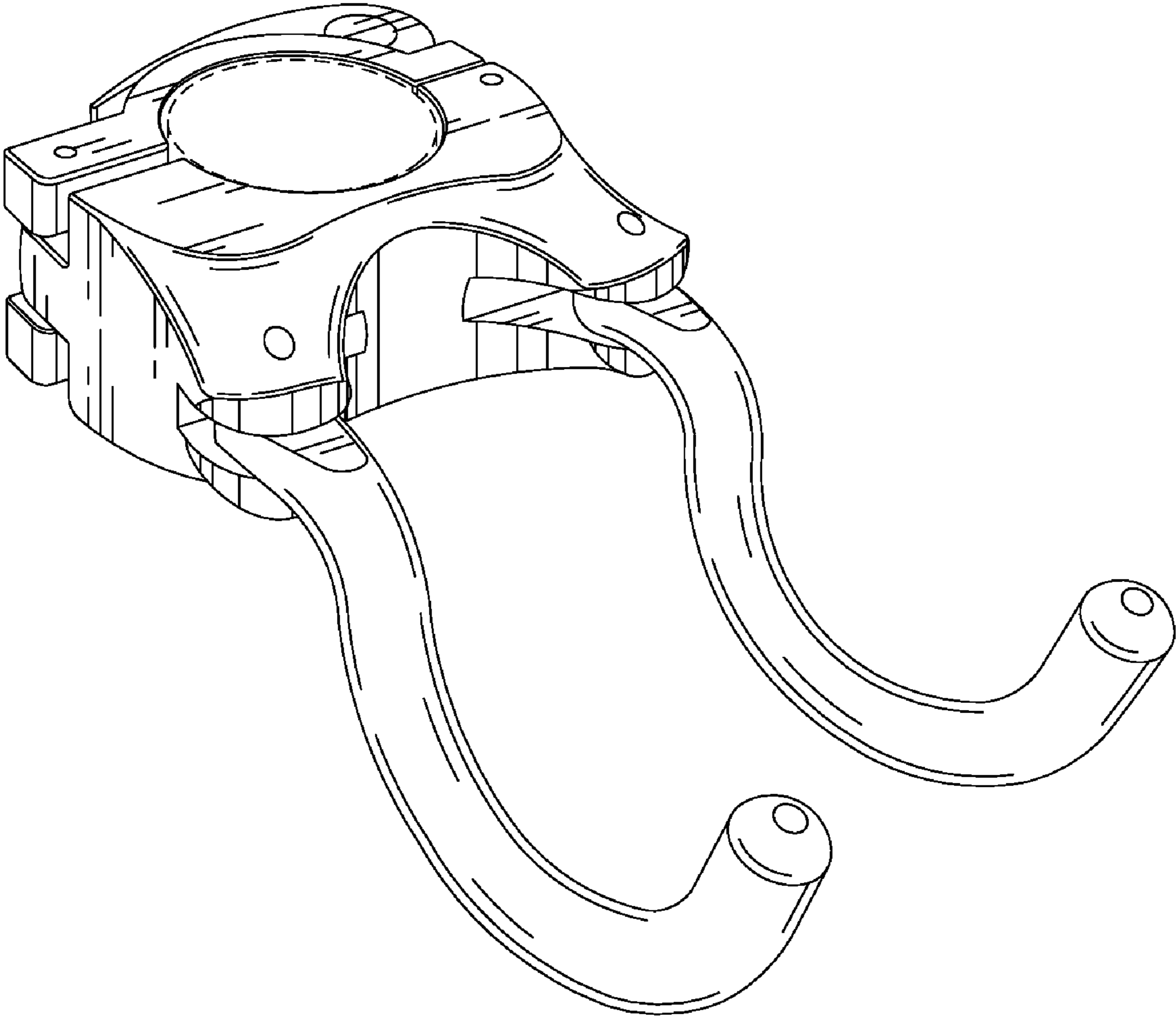


FIG. 1

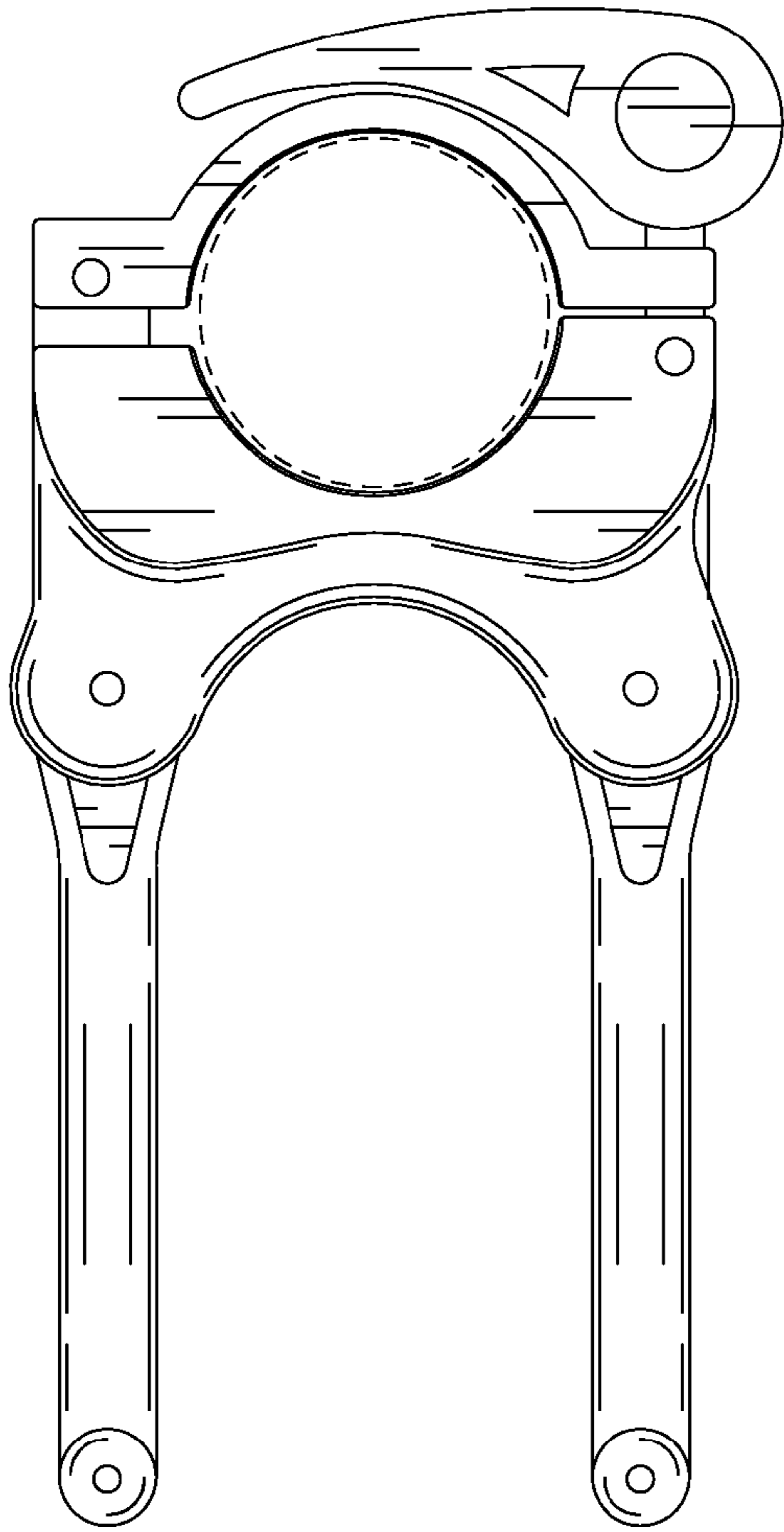


FIG. 2

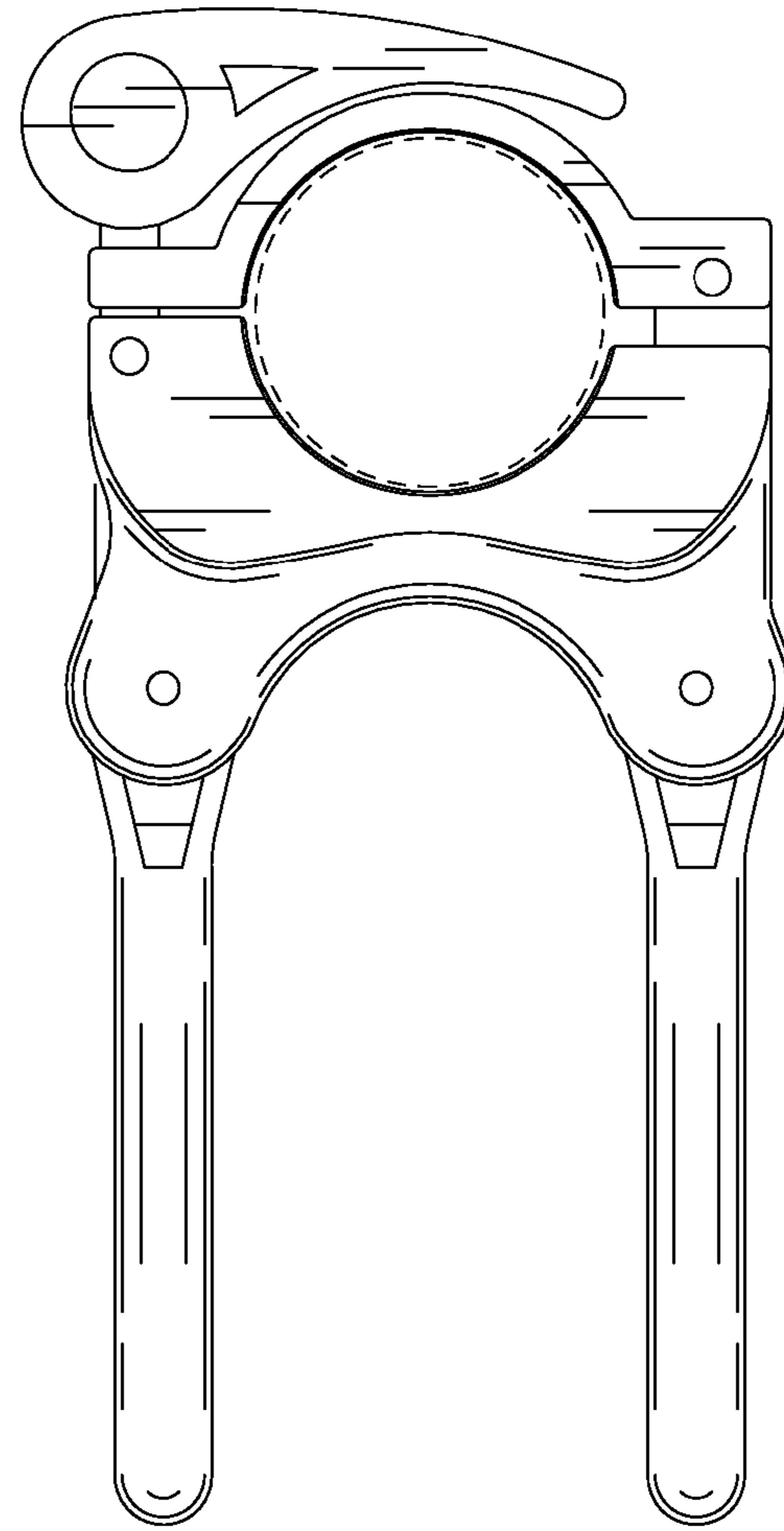


FIG. 3

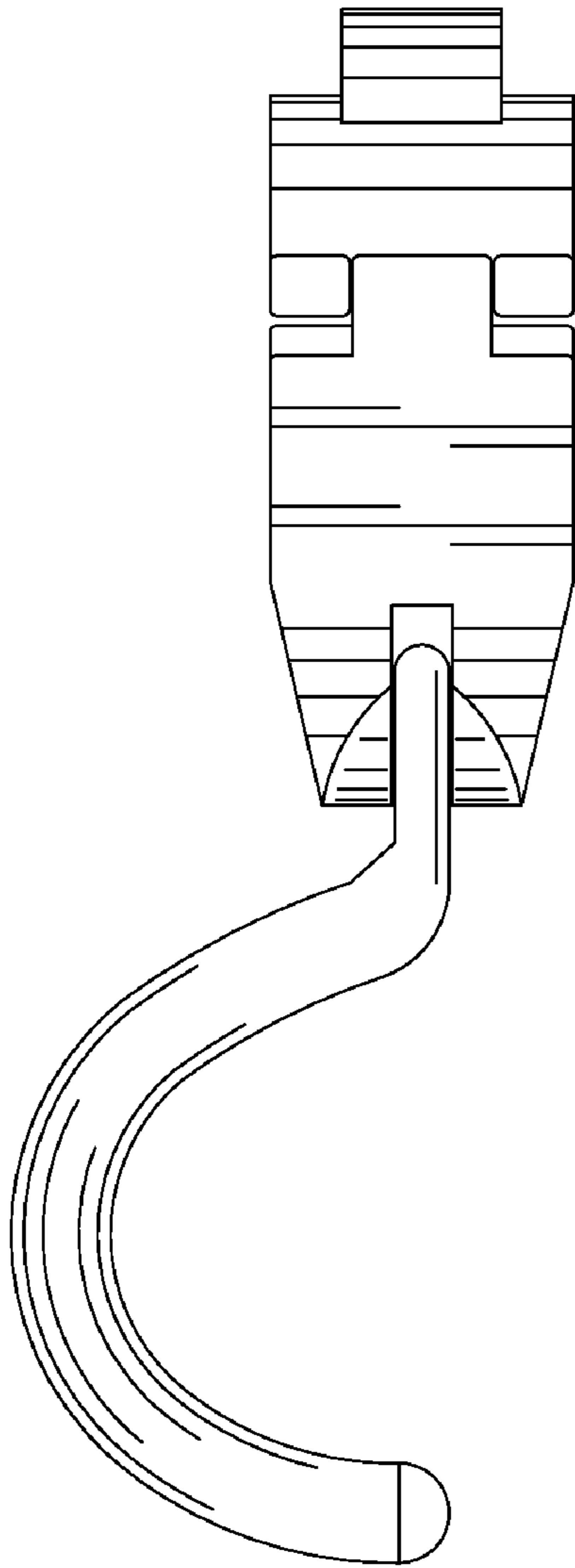


FIG. 4

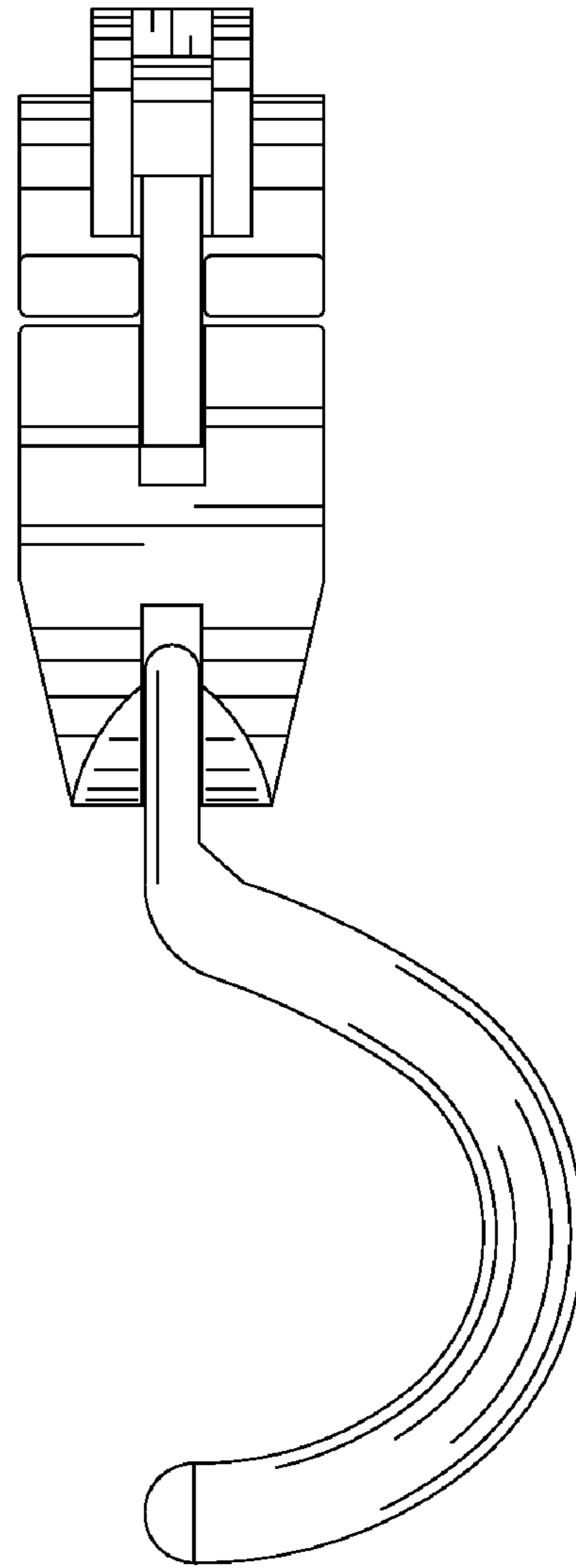


FIG. 5

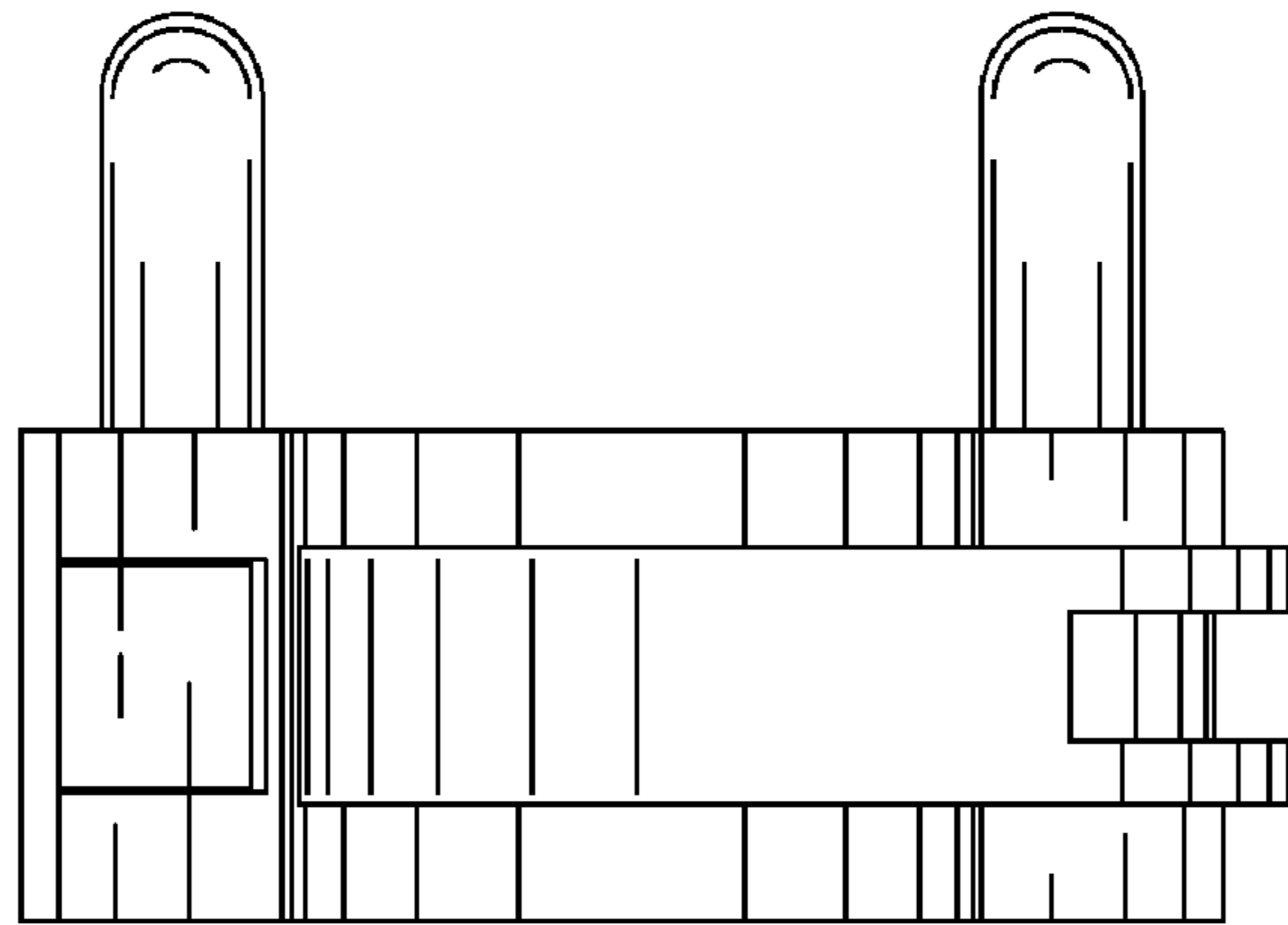


FIG. 6

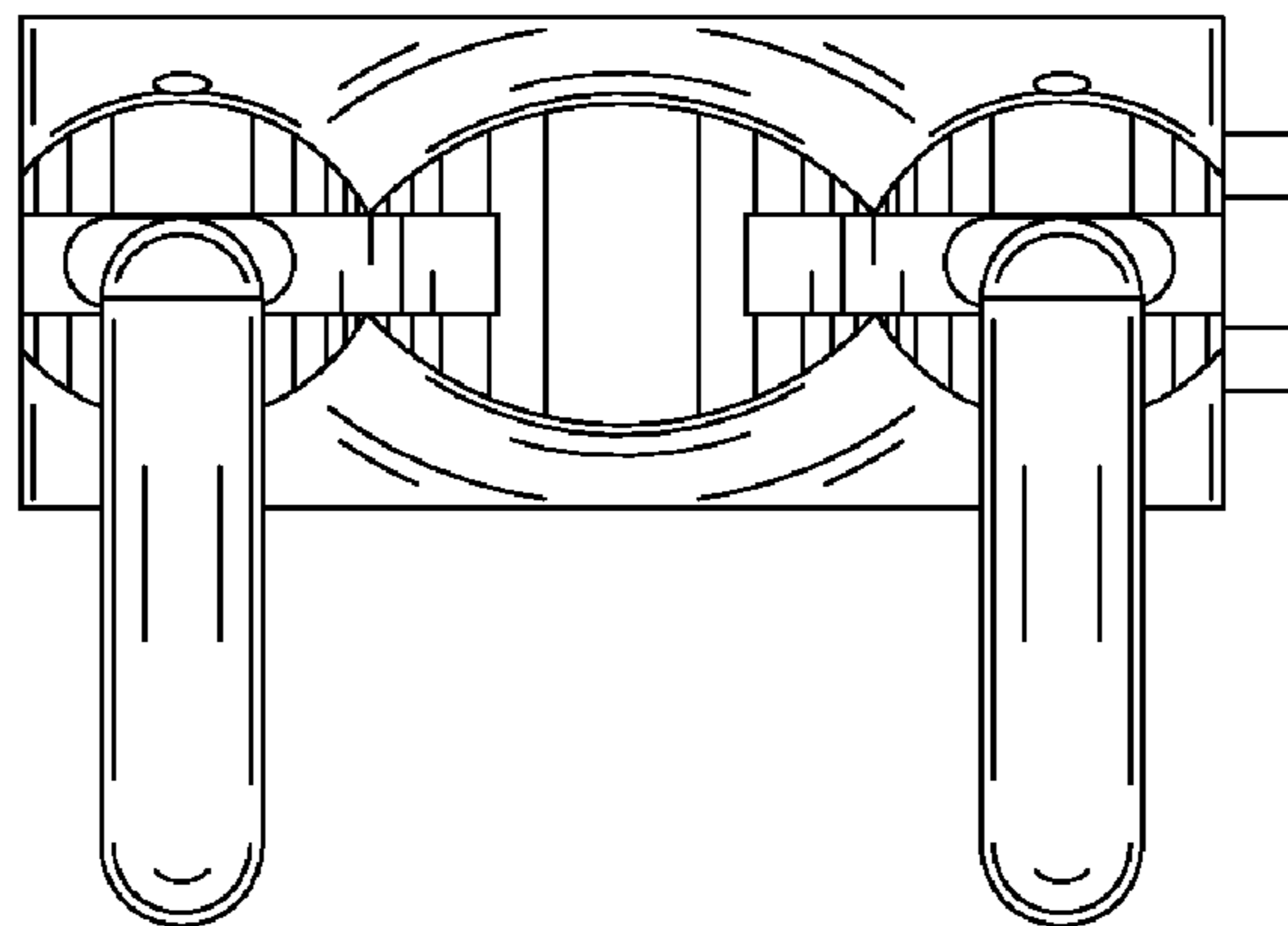


FIG. 7