



US00D617446S

(12) **United States Design Patent**  
**Amarasinghe et al.**

(10) **Patent No.:** **US D617,446 S**  
(45) **Date of Patent:** **\*\* Jun. 8, 2010**

(54) **PORTION OF A FRONT FACE OF A HEADGEAR FOR A RESPIRATORY MASK**

(75) Inventors: **Amal S. Amarasinghe**, West Pennant Hills (AU); **Perry D. Lithgow**, Glenwood (AU); **Memduh Guney**, Killara (AU)

(73) Assignee: **ResMed Limited**, Bella Vista (AU)

(\*\*) Term: **14 Years**

(21) Appl. No.: **29/290,442**

(22) Filed: **Dec. 5, 2007**

**Related U.S. Application Data**

(60) Continuation of application No. 29/274,315, filed on Apr. 13, 2007, now Pat. No. Des. 561,332, which is a continuation of application No. 29/210,349, filed on Jul. 30, 2004, now Pat. No. Des. 540,940, which is a division of application No. 29/170,553, filed on Nov. 8, 2002, now Pat. No. Des. 496,726.

(51) **LOC (9) Cl.** ..... **29-02**

(52) **U.S. Cl.** ..... **D24/110; D24/110.1**

(58) **Field of Classification Search** ..... D24/110, D24/110.1; D16/335; 128/207.11, 201.22, 128/201.23, 207.17, 201.19, 205.25; 2/173  
See application file for complete search history.

(56) **References Cited**

**U.S. PATENT DOCUMENTS**

3,457,564 A 7/1969 Holloway  
D335,367 S 5/1993 Mieskoski  
5,542,128 A 8/1996 Lomas  
D383,204 S 9/1997 Lomas  
6,119,693 A 9/2000 Kwok et al.  
D440,652 S 4/2001 Pollard

6,422,238 B1 7/2002 Lithgow  
D496,726 S 9/2004 Amarasinghe et al.  
6,805,117 B1 10/2004 Ho et al.  
D532,511 S \* 11/2006 Amarasinghe ..... D24/110  
D540,940 S 4/2007 Amarasinghe et al.  
D550,834 S \* 9/2007 Samaras ..... D24/110  
D561,892 S \* 2/2008 Amarasinghe ..... D24/110.1  
2002/0174868 A1 11/2002 Kwok et al.  
2003/0051732 A1 3/2003 Smith et al.  
2003/0196657 A1 10/2003 Ging et al.

**FOREIGN PATENT DOCUMENTS**

DE 19947722 4/2001  
JP 10-314307 12/1998  
WO WO 02/47749 6/2002

**OTHER PUBLICATIONS**

Amarasinghe et al., U.S. Appl. No. 29/274,315, filed Apr. 13, 2007.

\* cited by examiner

*Primary Examiner*—Ian Simmons

*Assistant Examiner*—Christopher Lee

(74) *Attorney, Agent, or Firm*—Nixon & Vanderhye P.C.

(57) **CLAIM**

The ornamental design for a portion of a front face of a headgear for a respiratory mask, as shown and described.

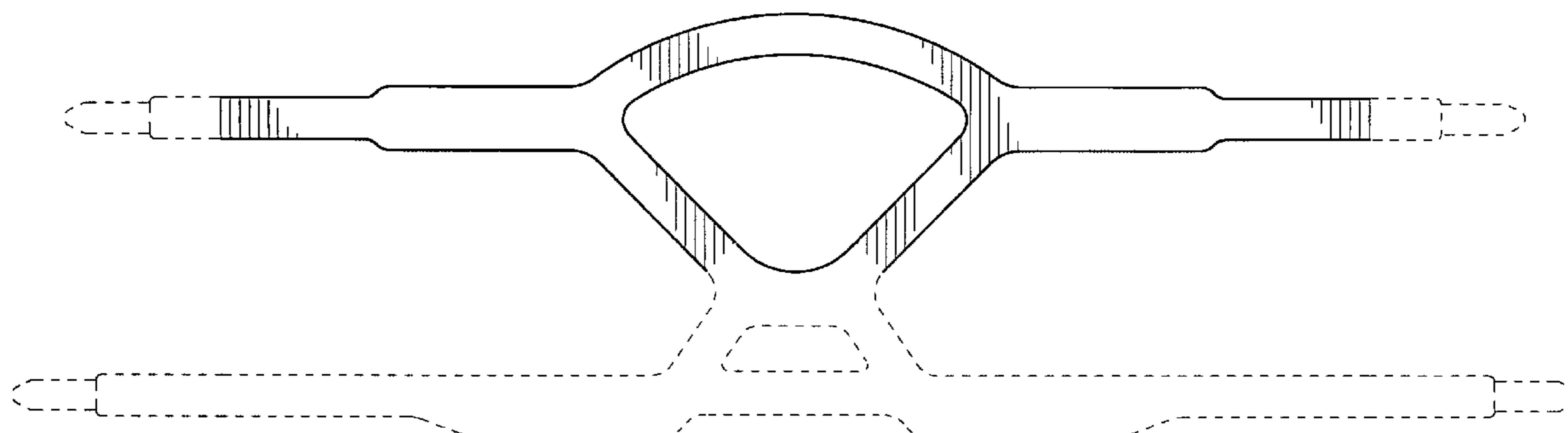
**DESCRIPTION**

FIG. 1 is a portion of a front face of a headgear for a respiratory mask according to our design.

The thickness of the headgear forms no part of the claimed design.

The broken lines in FIG. 1 show environment or structure of the headgear which are for illustrative purposes only and form no part of the claimed design.

**1 Claim, 1 Drawing Sheet**



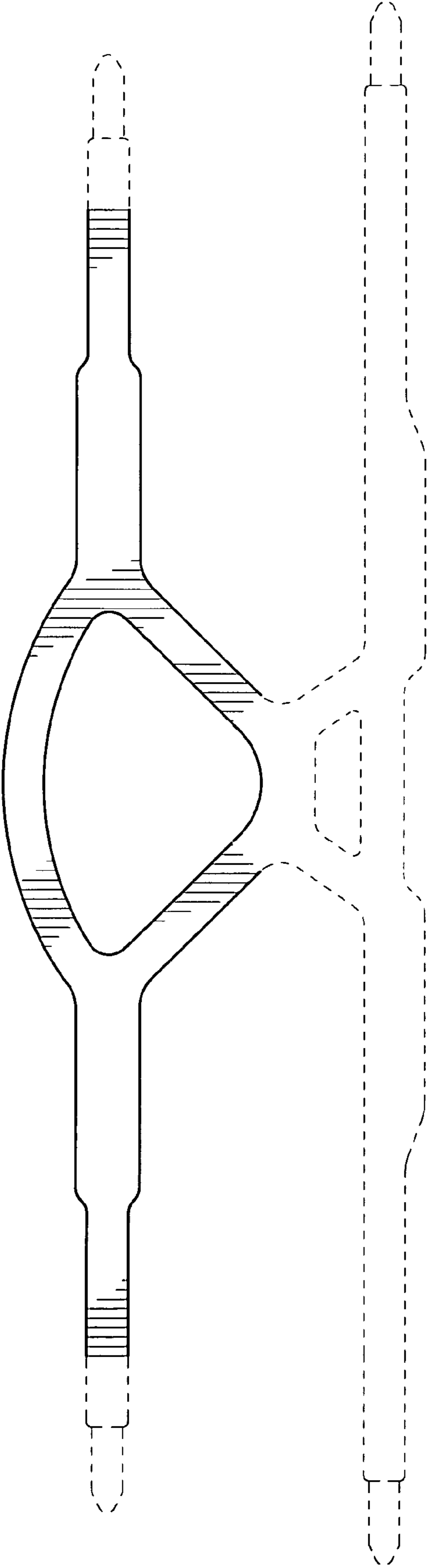


Fig. 1