



US00D617442S

(12) **United States Design Patent**
Grages

(10) **Patent No.:** **US D617,442 S**

(45) **Date of Patent:** **** Jun. 8, 2010**

(54) **VENTED SOFFIT PANEL**

(76) **Inventor:** **Gerald E. Grages**, 761 W. New Monee Rd., Crete, IL (US) 60417

(**) **Term:** **14 Years**

(21) **Appl. No.:** **29/345,690**

(22) **Filed:** **Oct. 21, 2009**

(51) **LOC (9) Cl.** **23-04**

(52) **U.S. Cl.** **D23/393**

(58) **Field of Classification Search** D23/385-395, D23/397, 370-373, 365, 351, 354, 399-403; 454/260, 309, 275-277, 284, 287-291; 55/493, 55/501; 52/95, 90.01; D25/55; D8/354, D8/366, 381, 403

See application file for complete search history.

(56) **References Cited**

U.S. PATENT DOCUMENTS

- 2,803,185 A * 8/1957 Coleman D25/55
- 2,885,942 A * 5/1959 Hirst 454/260
- 2,969,726 A * 1/1961 Bottom 454/260
- 3,436,878 A * 4/1969 Singer 52/95
- 3,777,649 A * 12/1973 Luckey 454/260
- 4,126,973 A * 11/1978 Luckey 454/260
- 4,762,053 A 8/1988 Wolfert
- 4,807,409 A 2/1989 Sells
- 5,243,793 A 9/1993 MacLeod et al.
- 5,335,462 A * 8/1994 Park 52/95
- D368,307 S * 3/1996 Miller D23/354
- 5,560,158 A 10/1996 Norton
- 5,711,117 A 1/1998 Zaccagni et al.
- 5,881,502 A * 3/1999 Tamlyn 52/95
- D422,886 S * 4/2000 Shea D8/354

- D432,394 S * 10/2000 Hays D8/354
- D434,639 S * 12/2000 Willett D8/354
- D436,163 S * 1/2001 Peterson et al. D23/393
- D486,921 S * 2/2004 Zyburd D25/55
- 6,705,052 B1 * 3/2004 Larson 52/95
- 6,941,707 B2 9/2005 Sigmund
- 6,955,010 B2 * 10/2005 Martin 52/95
- 7,137,224 B2 11/2006 Rasmussen et al.
- D561,915 S 2/2008 Sigmund
- D570,467 S * 6/2008 Nishio et al. D23/386
- 7,392,622 B2 7/2008 Back et al.
- D605,930 S * 12/2009 Piersant D8/381
- 2007/0234650 A1 10/2007 Coulton et al.

* cited by examiner

Primary Examiner—T. Chase Nelson
Assistant Examiner—David G Muller
(74) *Attorney, Agent, or Firm*—Crossley Patent Law; Mark A. Crossley

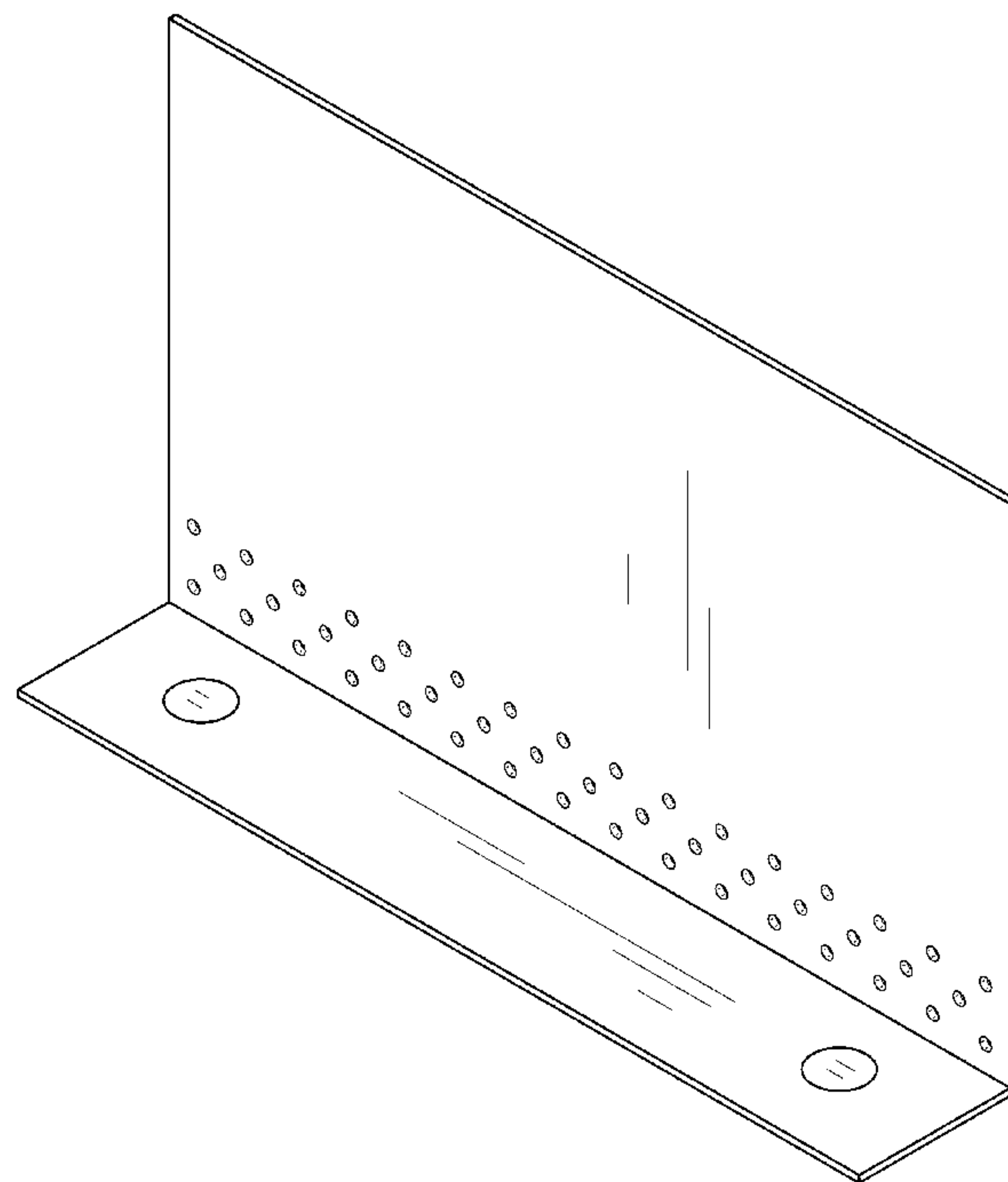
(57) **CLAIM**

The ornamental design for a vented soffit panel, as shown and described.

DESCRIPTION

FIG. 1 is a front elevation view of a vented soffit panel showing my new design;
FIG. 2 is a rear elevationview thereof;
FIG. 3 is a right side elevation view thereof, the opposite side being a mirror image;
FIG. 4 is a top plan view thereof;
FIG. 5 is a bottom plan view thereof; and,
FIG. 6 is an isometric view thereof.

1 Claim, 3 Drawing Sheets



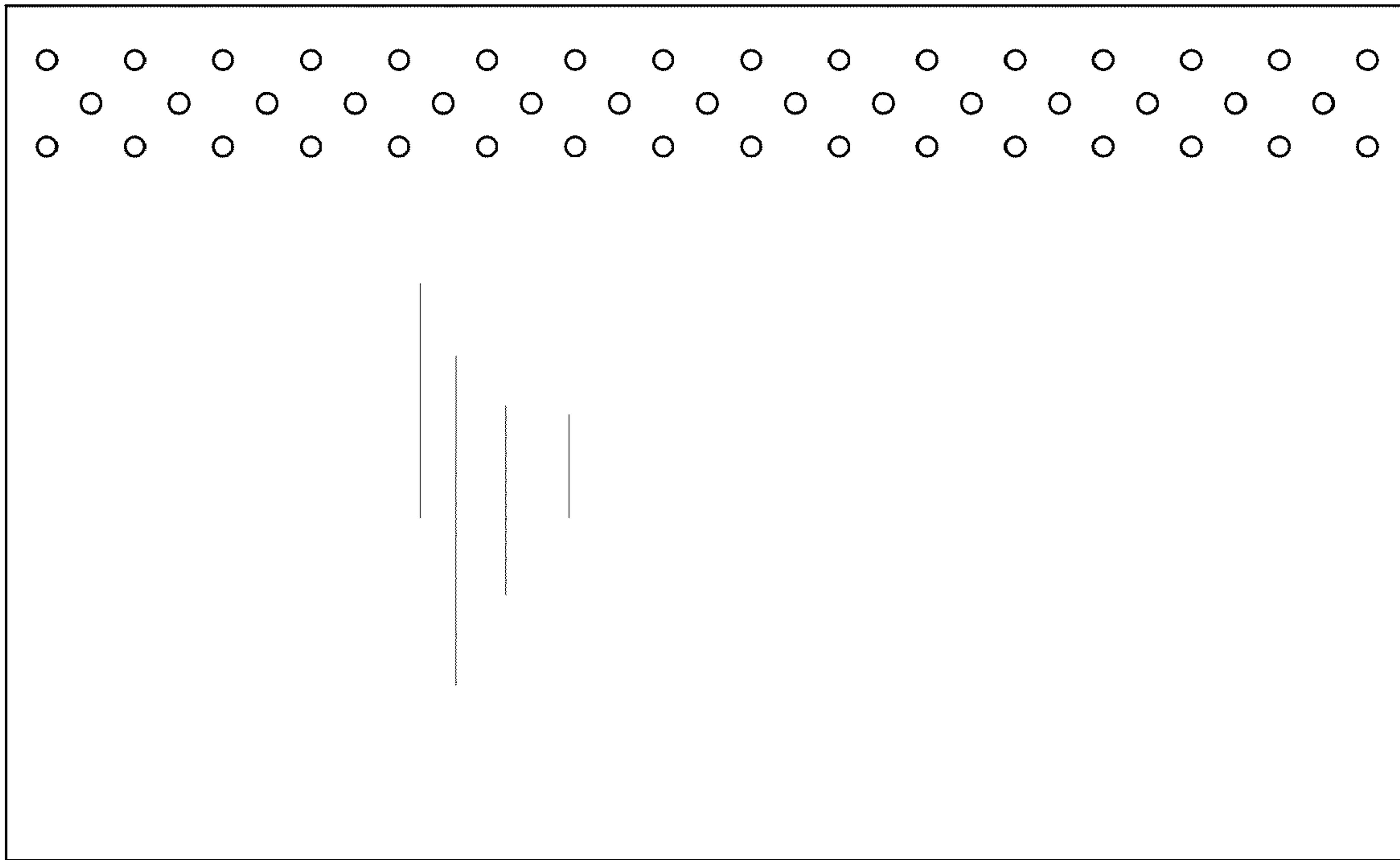


FIG. 1

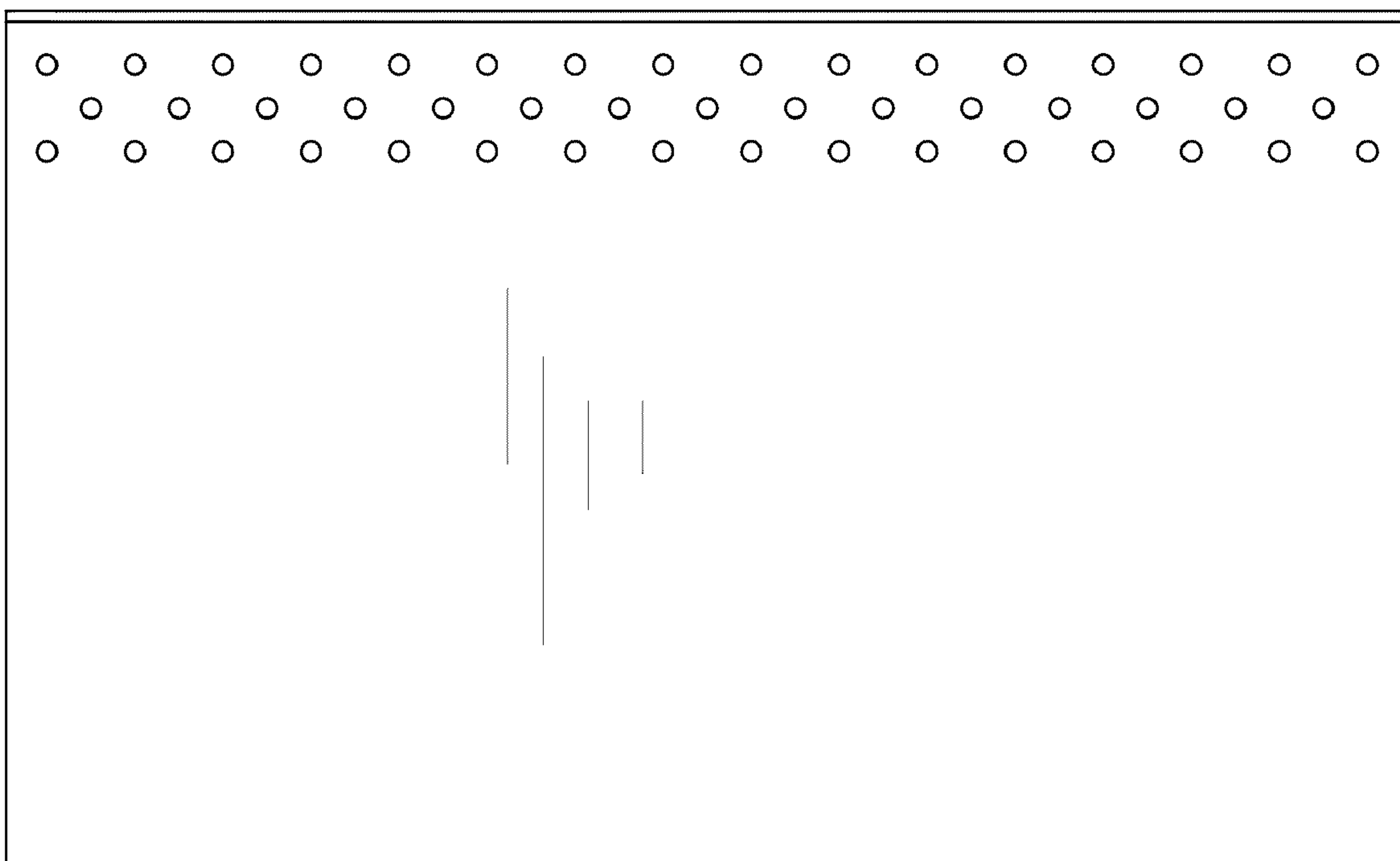


FIG. 2

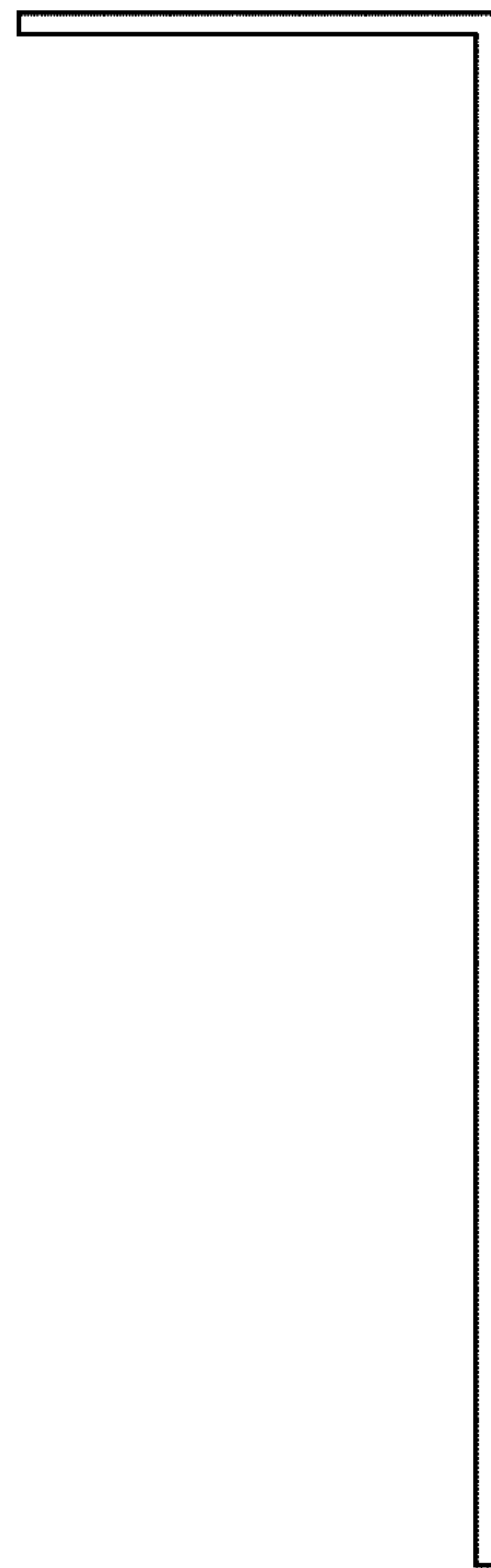


FIG. 3

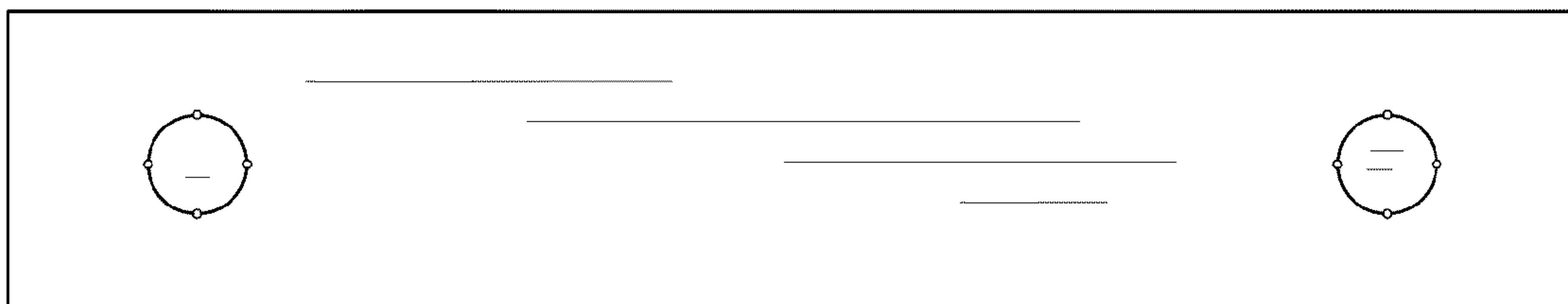


FIG. 4

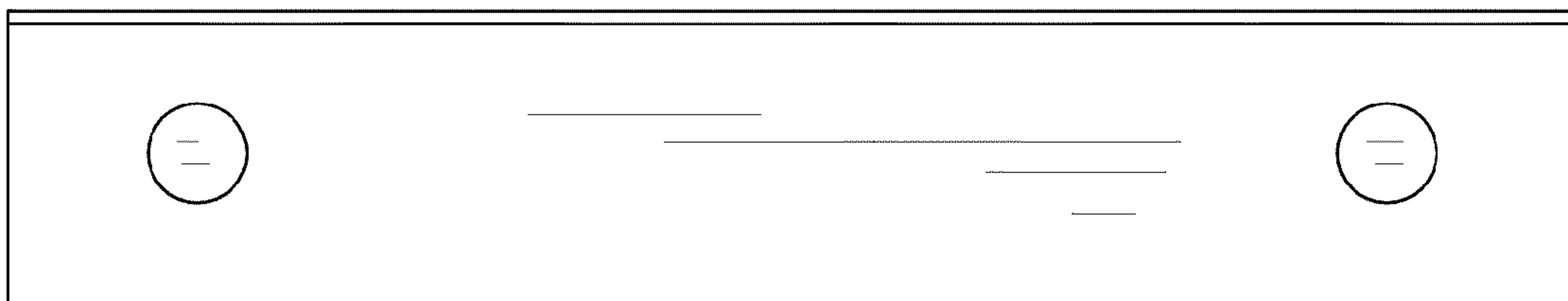


FIG. 5

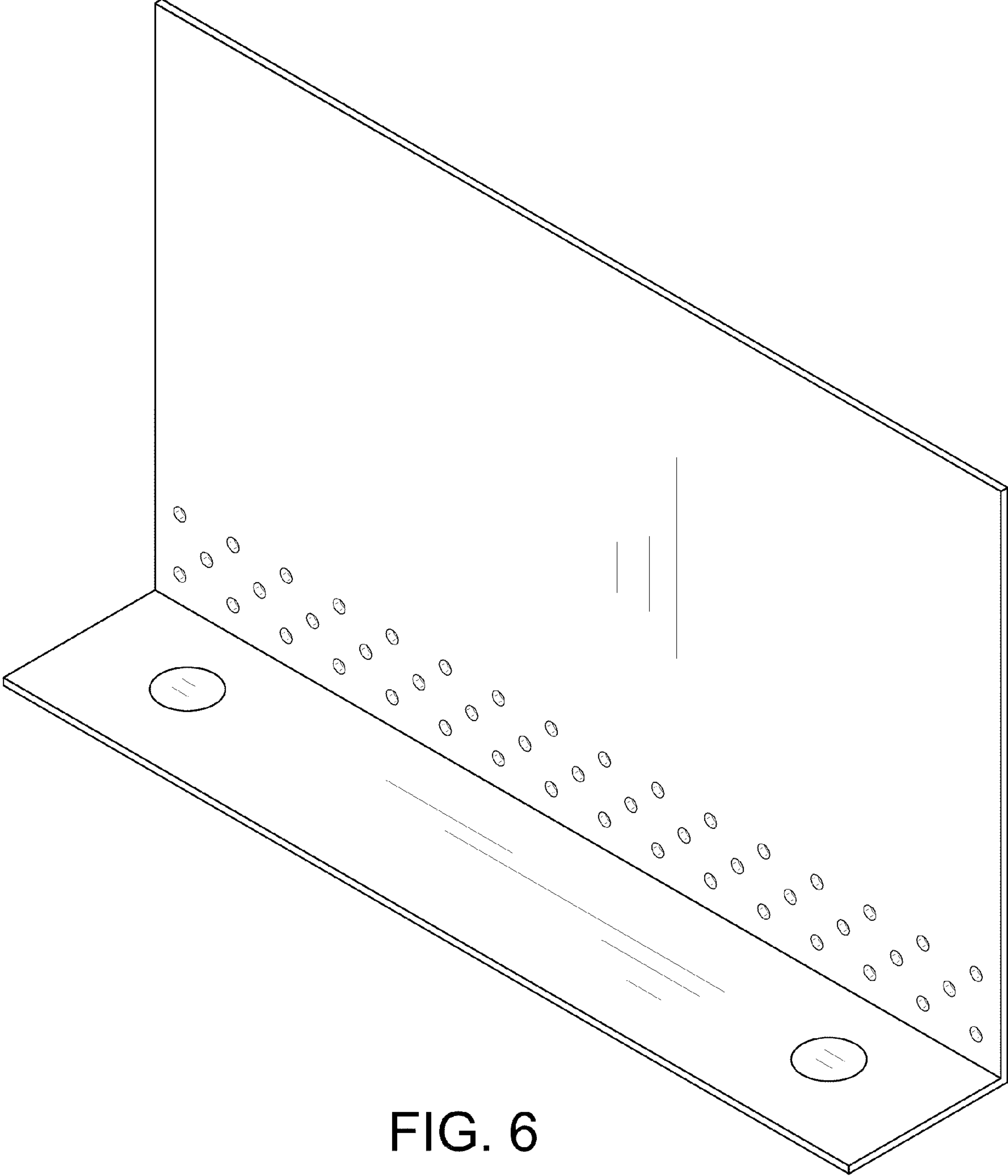


FIG. 6