



US00D617441S

(12) **United States Design Patent**
Koury et al.

(10) **Patent No.:** **US D617,441 S**
(45) **Date of Patent:** **** Jun. 8, 2010**

(54) **CEILING VENTILATING FAN**

FOREIGN PATENT DOCUMENTS

(75) Inventors: **Steffen Koury**, Everett, MA (US); **Paul Metaxatos**, Swampscott, MA (US); **Hiroshi Miyake**, Osaka (JP)

JP D1092515 12/2000

* cited by examiner

(73) Assignee: **Panasonic Corporation**, Osaka (JP)

Primary Examiner—Lisa P Lichtenstein

(74) *Attorney, Agent, or Firm*—Brinks Hofer Golson & Lione

(**) Term: **14 Years**

(57) **CLAIM**

(21) Appl. No.: **29/351,075**

We claim the ornamental design for a ceiling ventilating fan, as shown and described.

(22) Filed: **Nov. 30, 2009**

DESCRIPTION

(51) **LOC (9) Cl.** **23-04**

FIG. 1 is a front perspective view of a ceiling ventilating fan of the present invention;

(52) **U.S. Cl.** **D23/385**

FIG. 2 is a front view thereof;

(58) **Field of Classification Search** D23/385,
D23/371, 370, 351; 454/349, 354; D26/51,
D26/59, 72, 81–88

FIG. 3 is a rear view thereof;

FIG. 4 is a first side view thereof;

See application file for complete search history.

FIG. 5 is a second side view thereof;

FIG. 6 is a top view thereof;

(56) **References Cited**

U.S. PATENT DOCUMENTS

- D387,859 S 12/1997 Ukai et al.
- D401,682 S * 11/1998 Galeazzi et al. D23/351
- D426,292 S 6/2000 Nanjo
- D433,116 S 10/2000 Han et al.
- D541,927 S 5/2007 Yamanaka et al.
- D577,431 S * 9/2008 Miyake et al. D23/385
- D581,516 S 11/2008 Koury et al.

FIG. 7 is a bottom view thereof; and,

FIG. 8 is a cross-section view taken along the line 8—8 of FIG. 2.

The broken line showing of ceiling ventilating fan is included for the purpose of illustrating environment and forms no part of the claimed design.

1 Claim, 8 Drawing Sheets

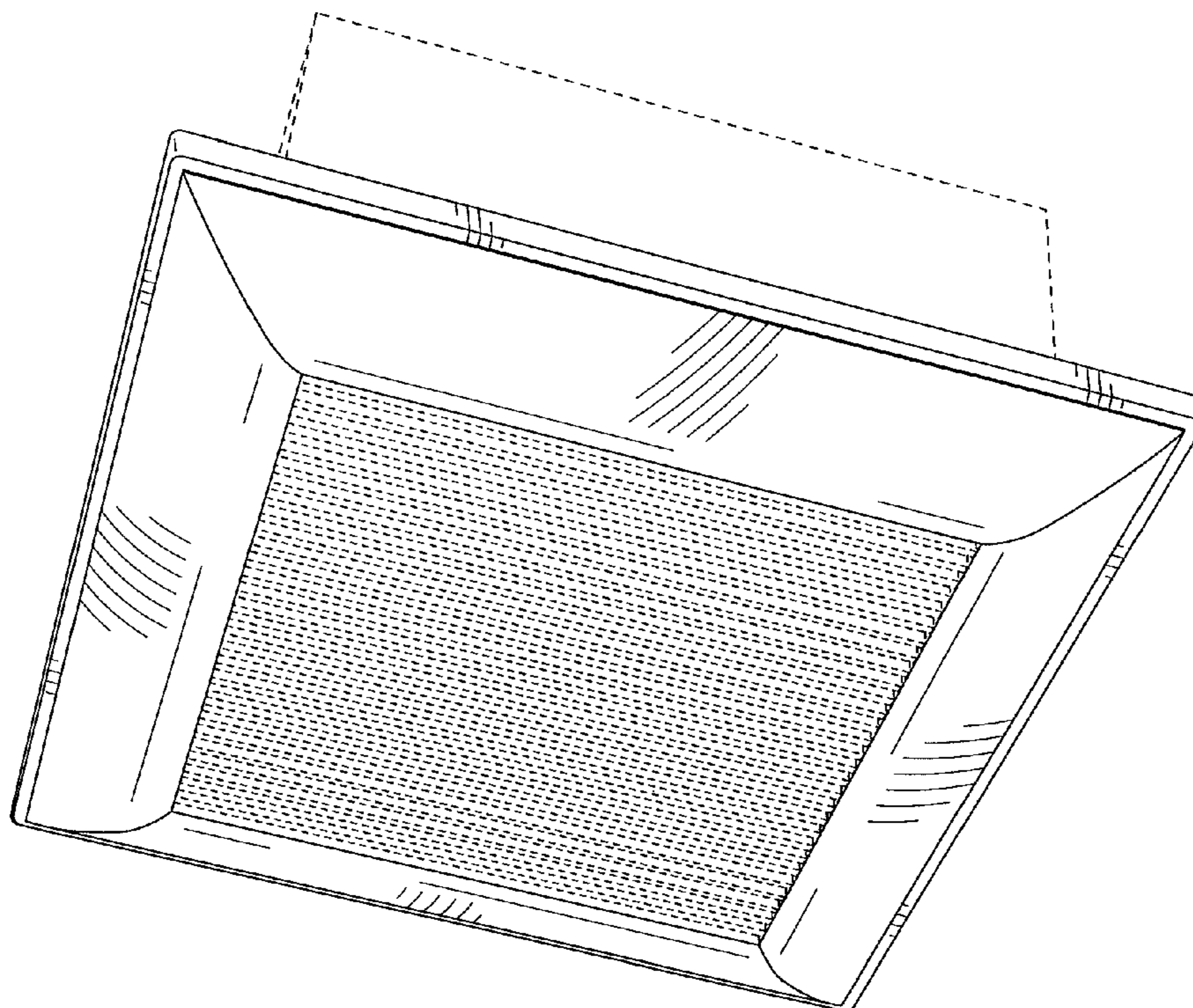


FIG.1

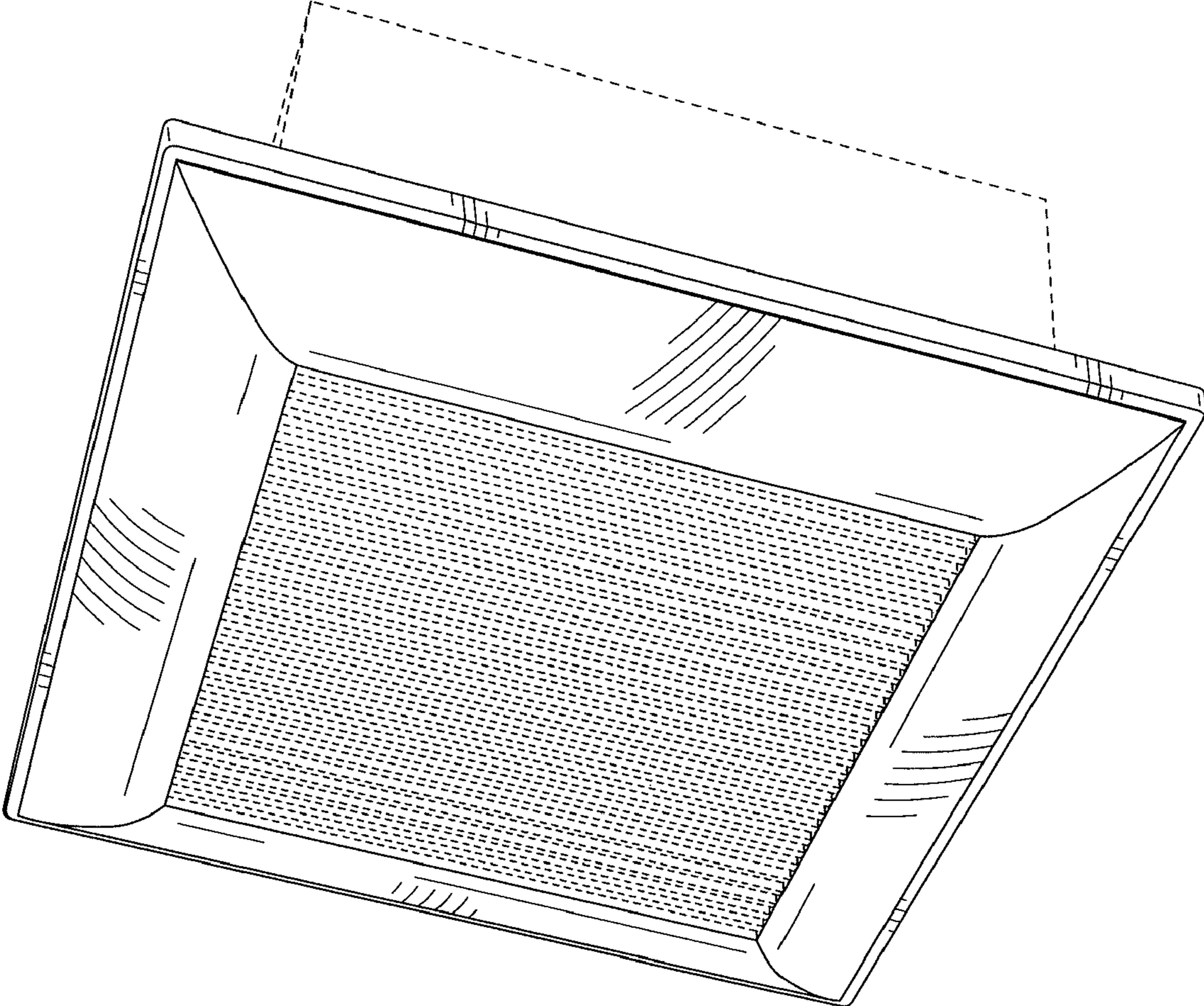


FIG.2

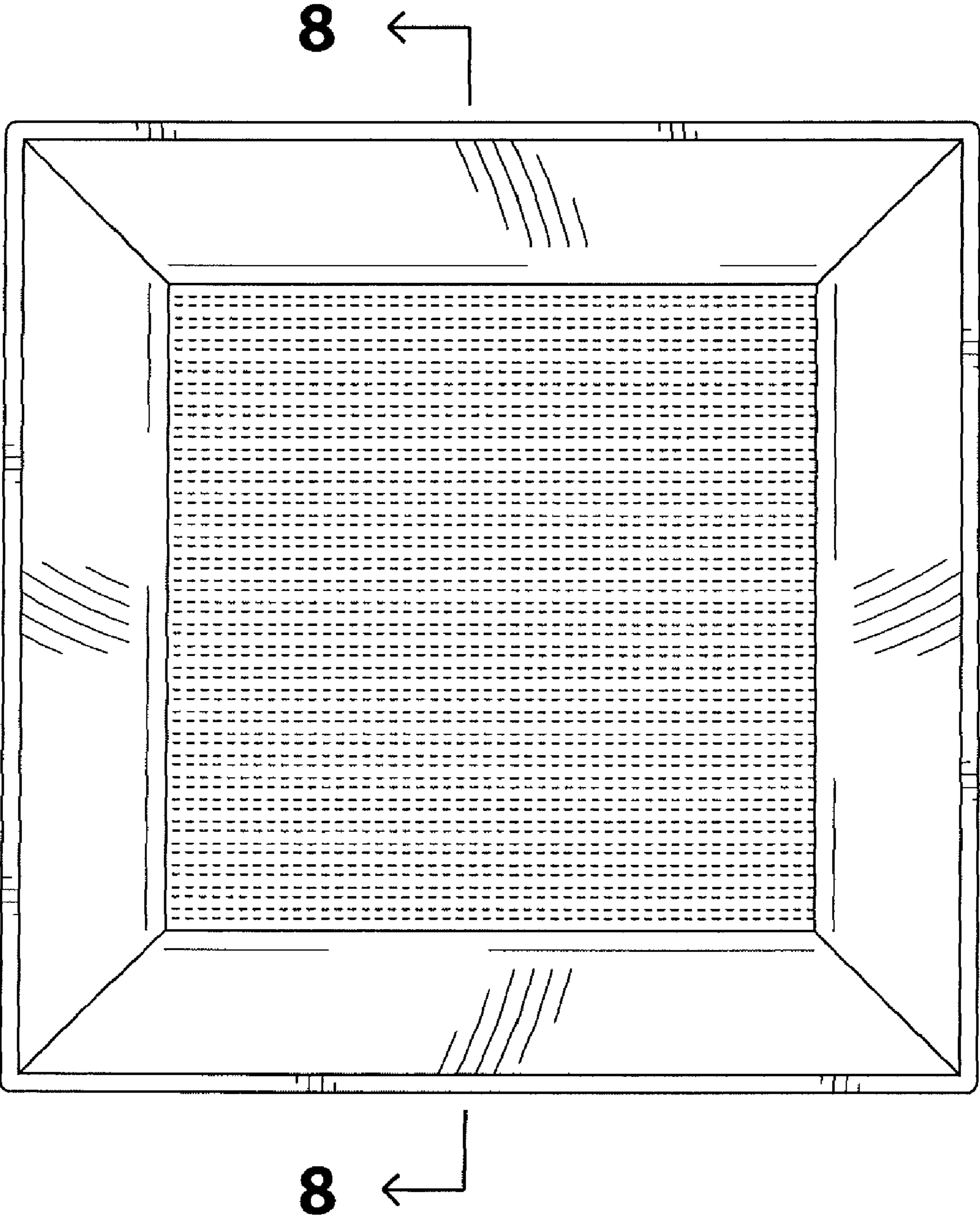


FIG.3

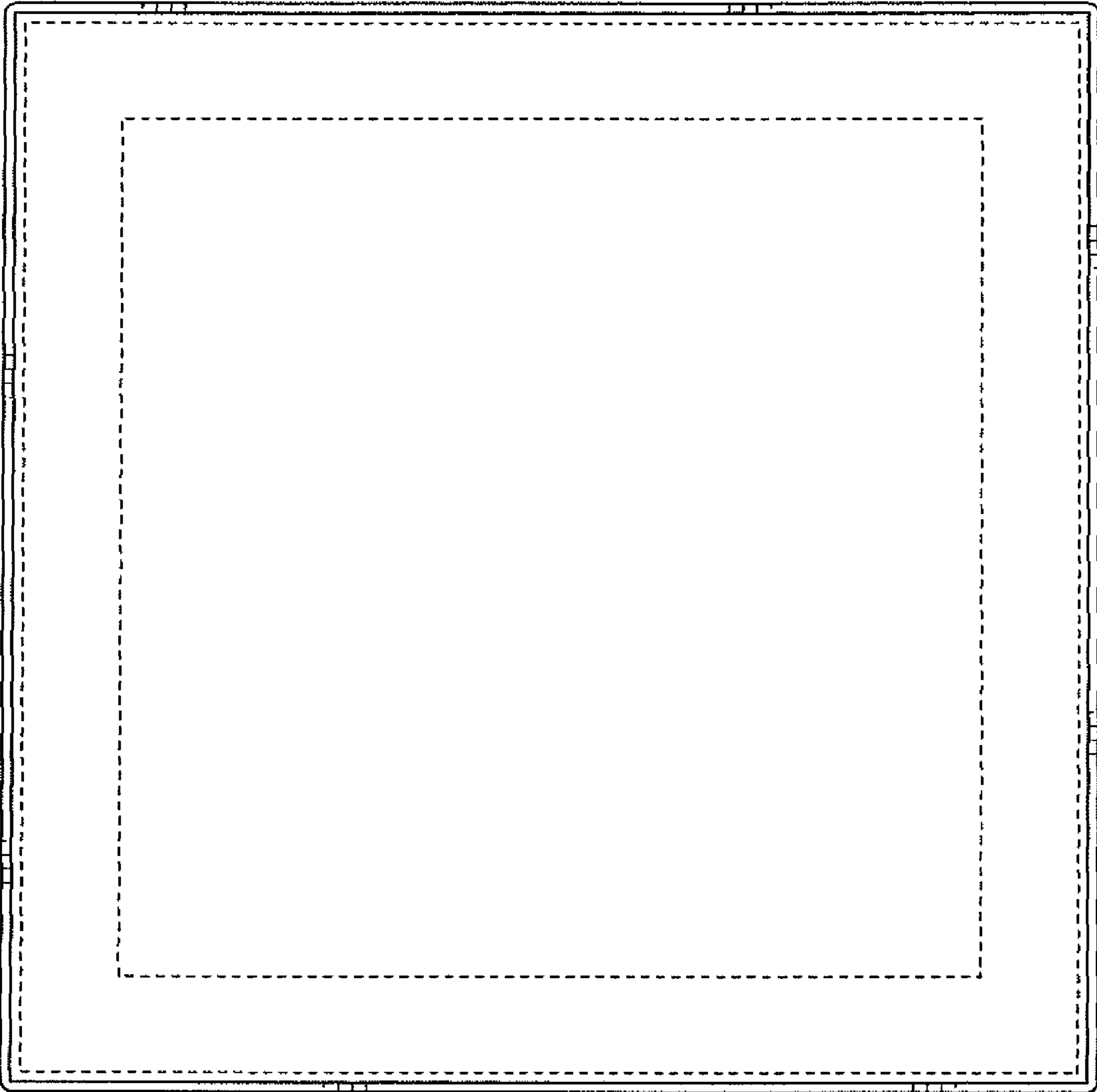


FIG.4

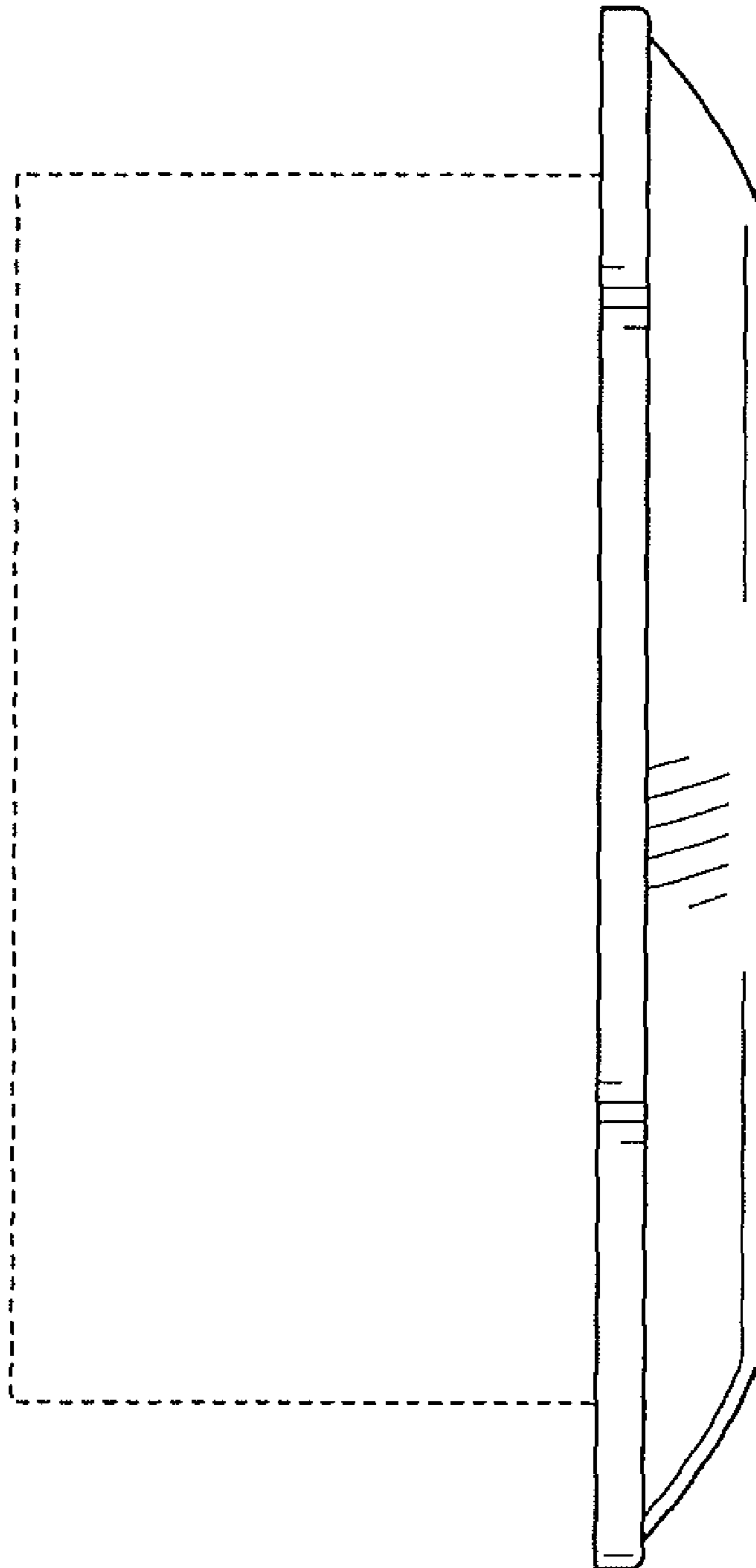


FIG.5

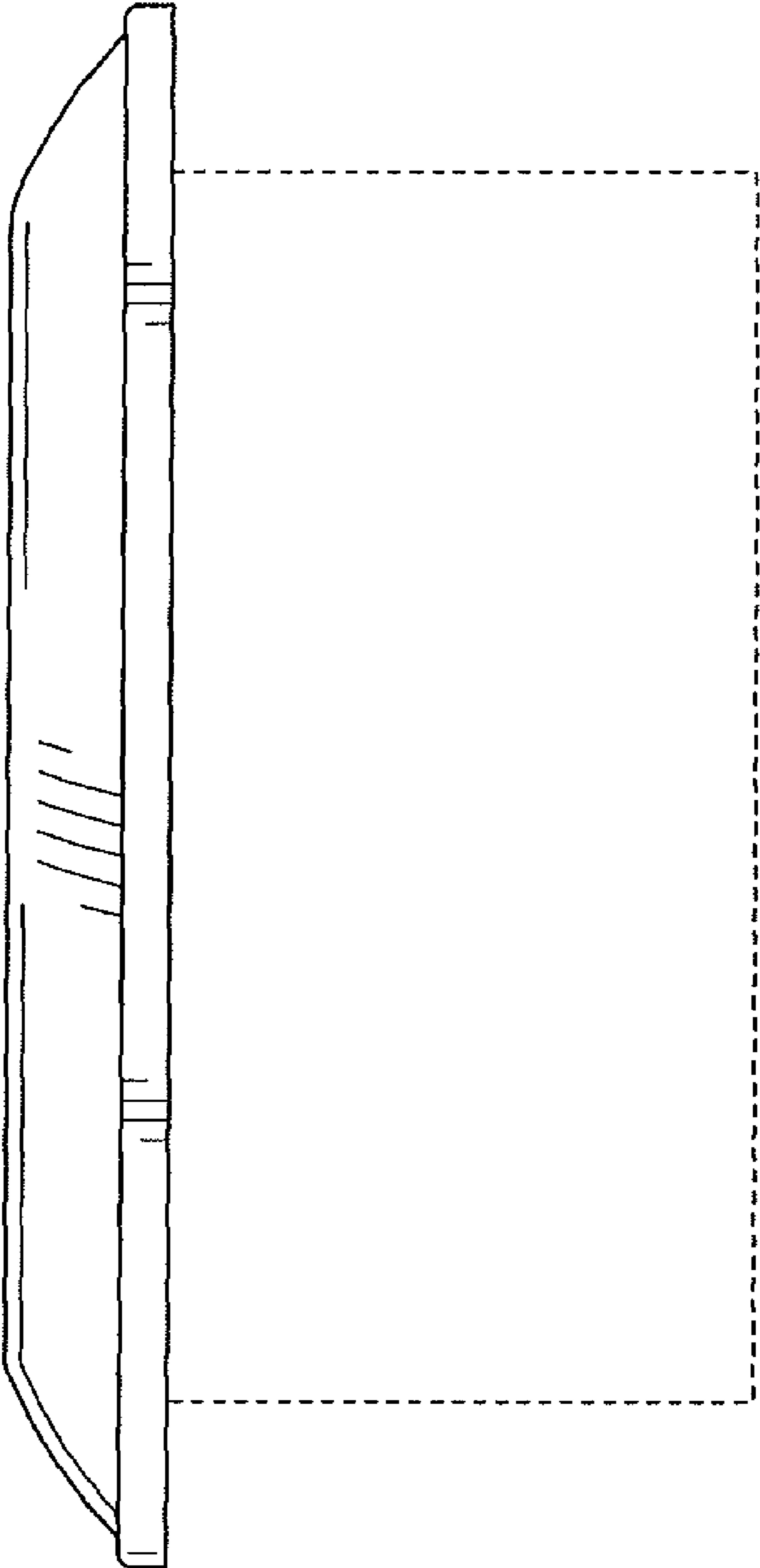


FIG.6

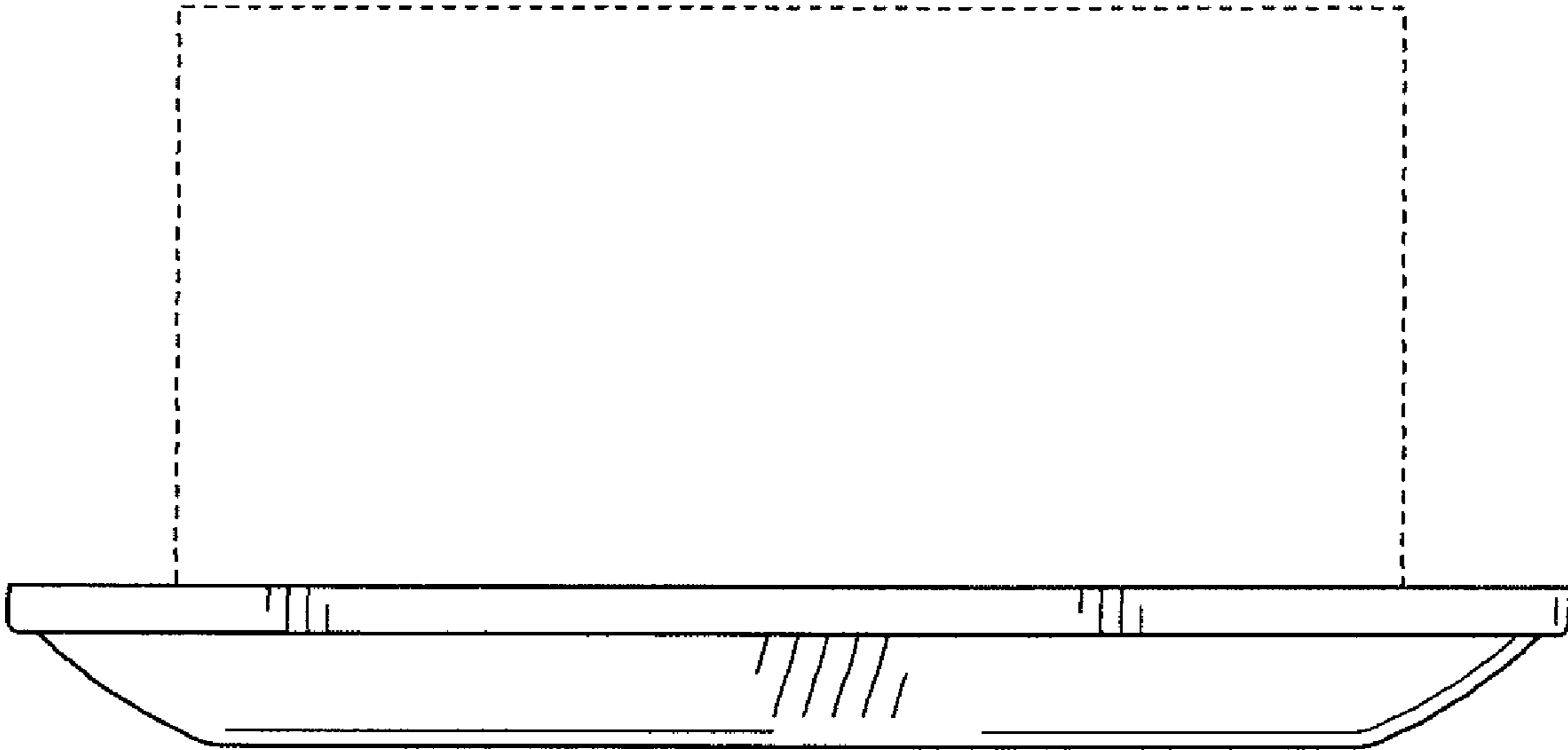


FIG.7

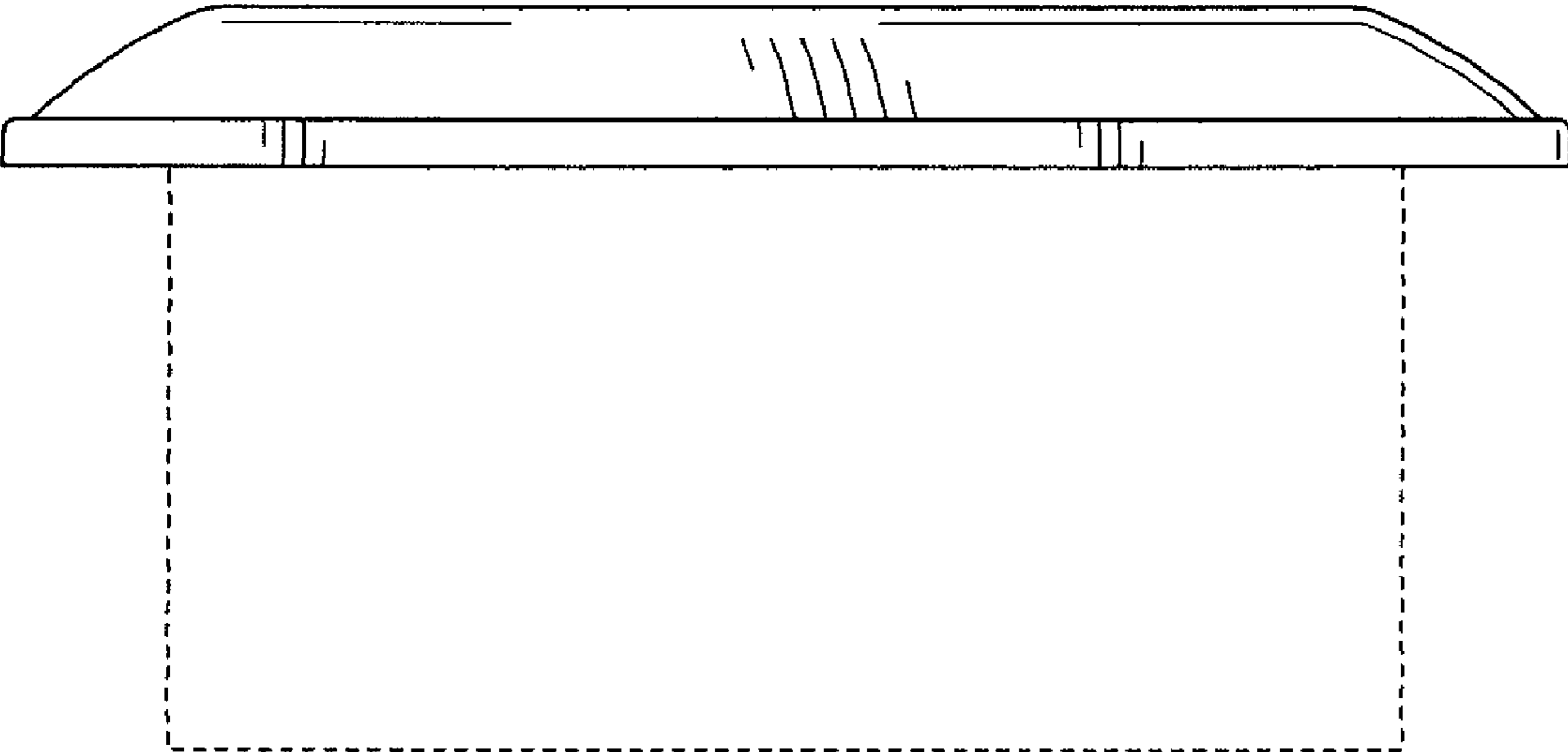


FIG. 8

