



US00D617440S

(12) **United States Design Patent**
Ching

(10) **Patent No.:** **US D617,440 S**
(45) **Date of Patent:** **** Jun. 8, 2010**

(54) **CHARGEABLE FAN**

(75) Inventor: **Chan Ching**, Taipei Hsien (TW)

(73) Assignee: **Perfect Union Co., Ltd.**, Taipei Hsien (TW)

(**) Term: **14 Years**

(21) Appl. No.: **29/355,059**

(22) Filed: **Feb. 2, 2010**

(51) **LOC (9) Cl.** **23-04**

(52) **U.S. Cl.** **D23/382**

(58) **Field of Classification Search** D23/382,
D23/381, 332, 370, 411, 412, 335, 336; 416/246 R,
416/247 R, 244 R

See application file for complete search history.

(56) **References Cited**

U.S. PATENT DOCUMENTS

D387,860 S * 12/1997 Chen D23/382

D398,983 S * 9/1998 Keller et al. D23/382

D605,280 S * 12/2009 Chen D23/382

* cited by examiner

Primary Examiner—Lisa P Lichtenstein

(74) *Attorney, Agent, or Firm*—Guice Patents PLLC

(57) **CLAIM**

The ornamental design for a chargeable fan, as shown and described.

DESCRIPTION

FIG. 1 is a top front and left side perspective view of the chargeable fan showing my new design;

FIG. 2 is a front elevational view thereof;

FIG. 3 is a rear elevational view thereof;

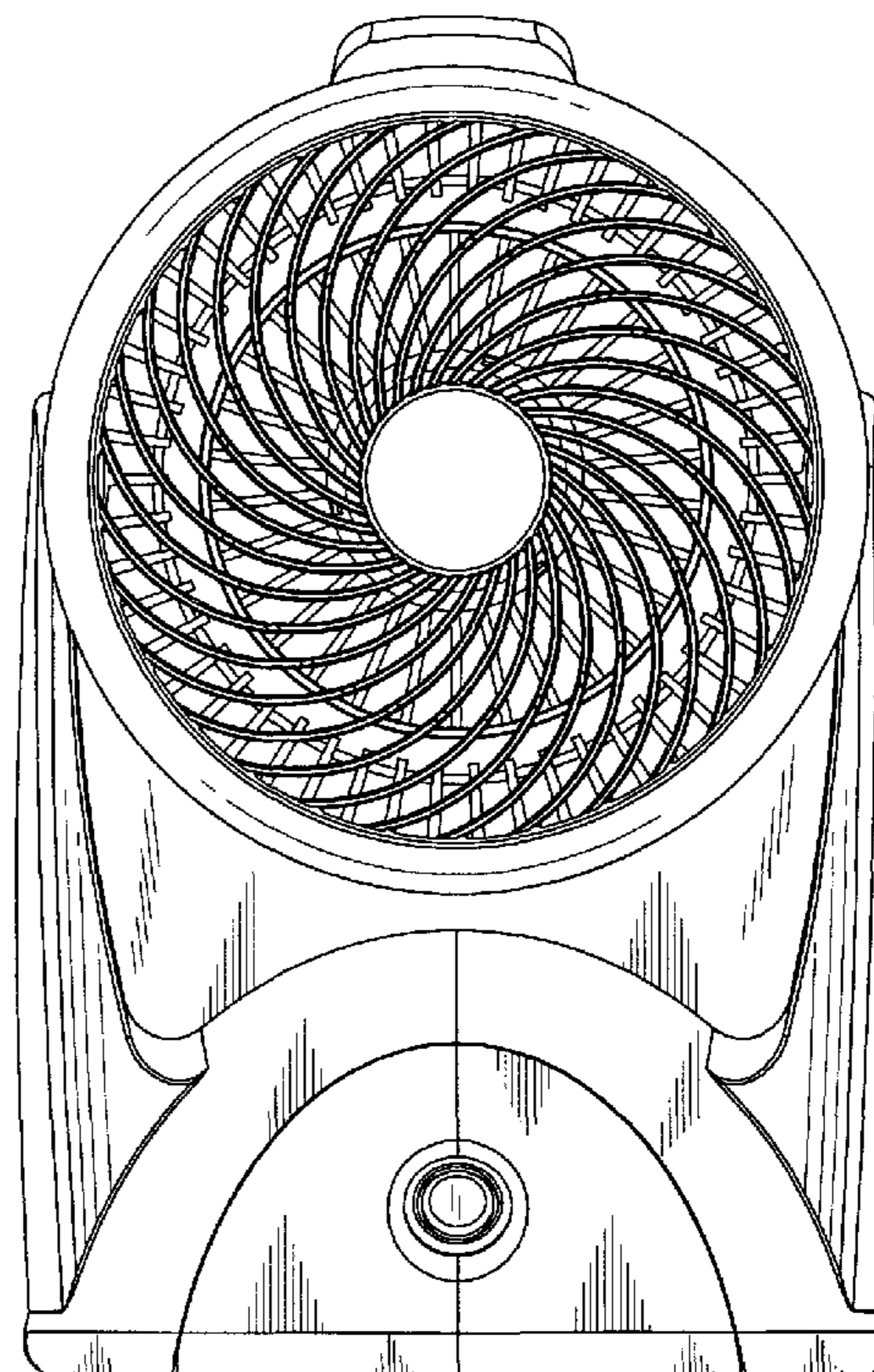
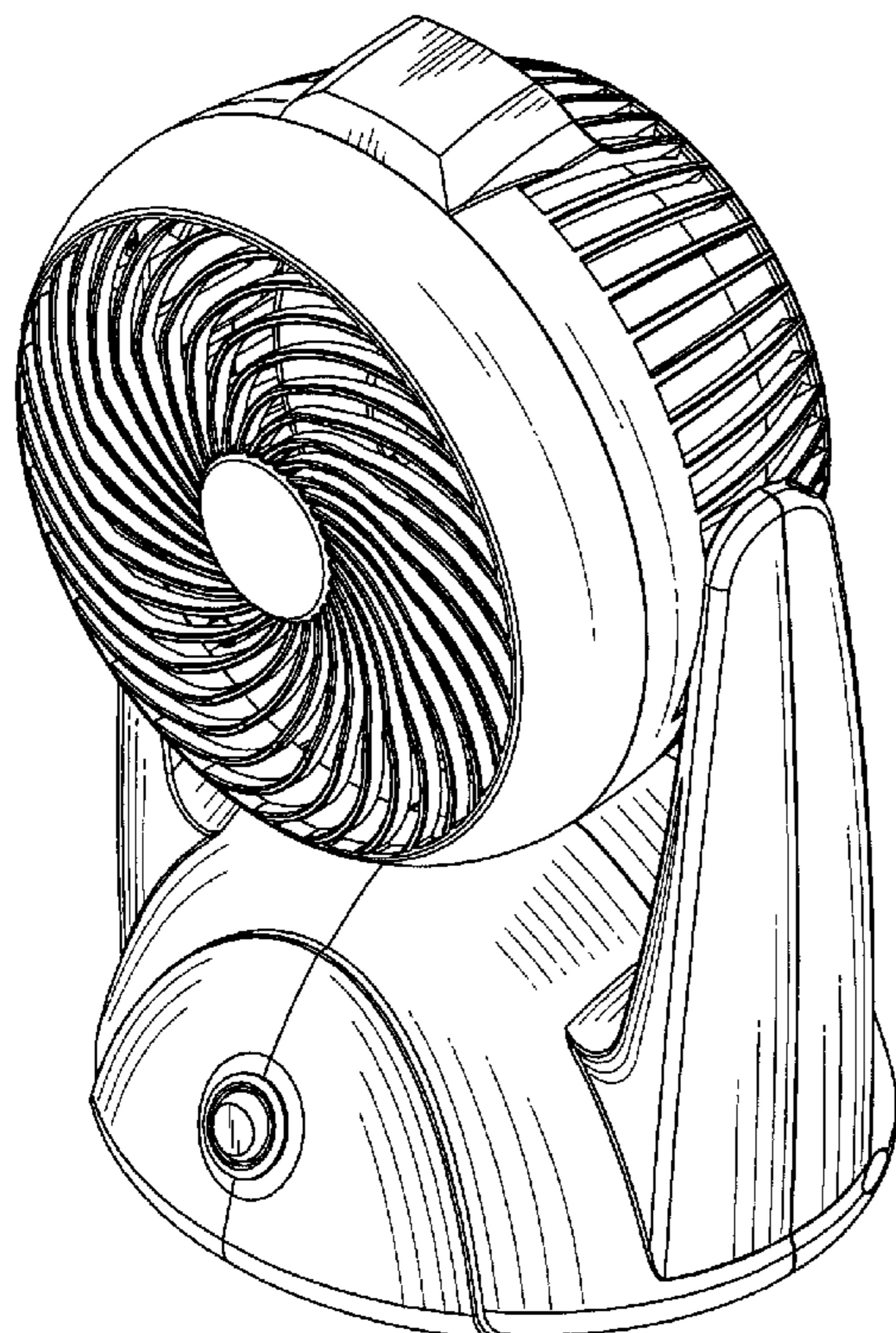
FIG. 4 is a left side elevational view thereof;

FIG. 5 is a right side elevational view thereof;

FIG. 6 is a top plan view thereof; and,

FIG. 7 is a bottom plan view thereof.

1 Claim, 6 Drawing Sheets



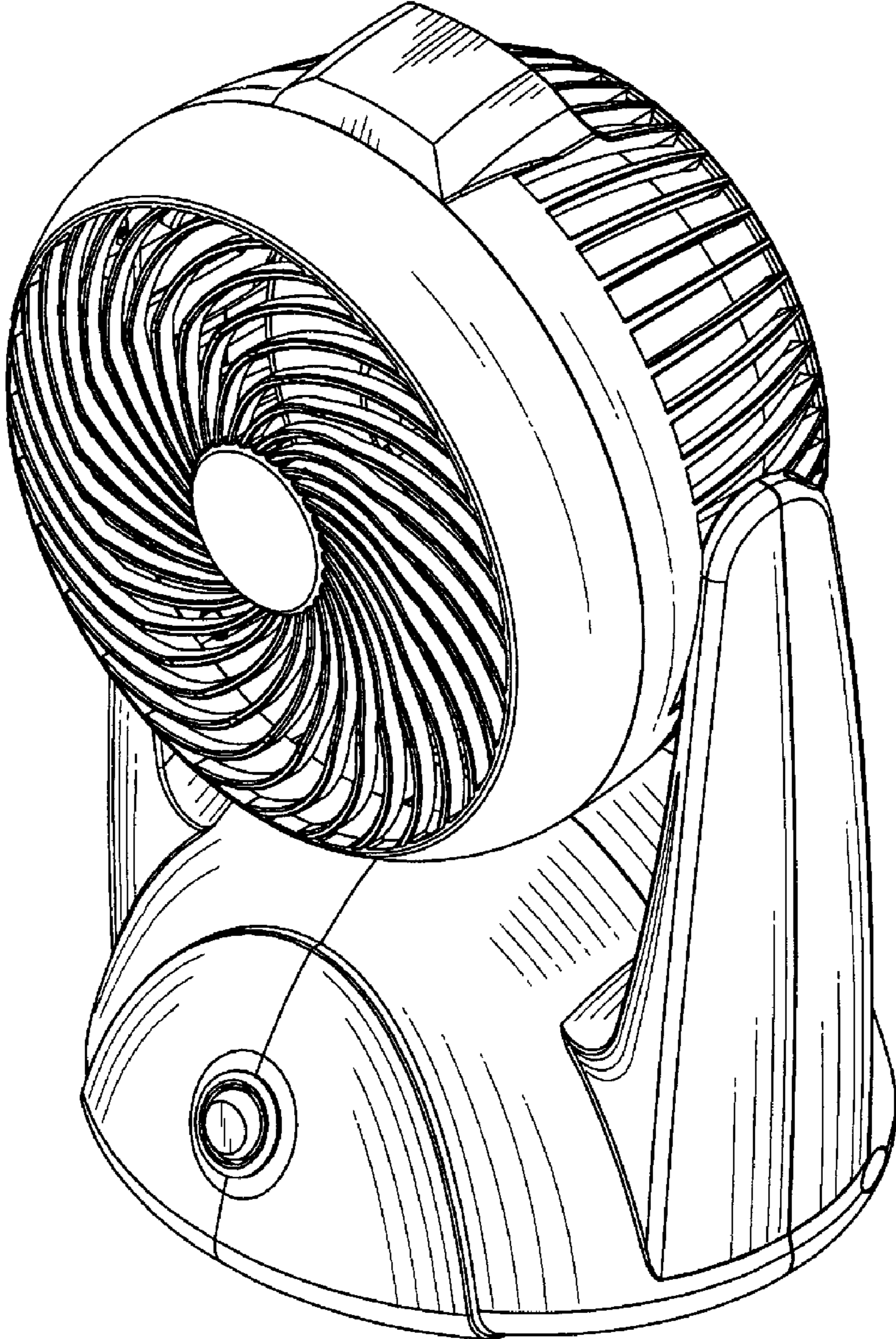


Fig. 1

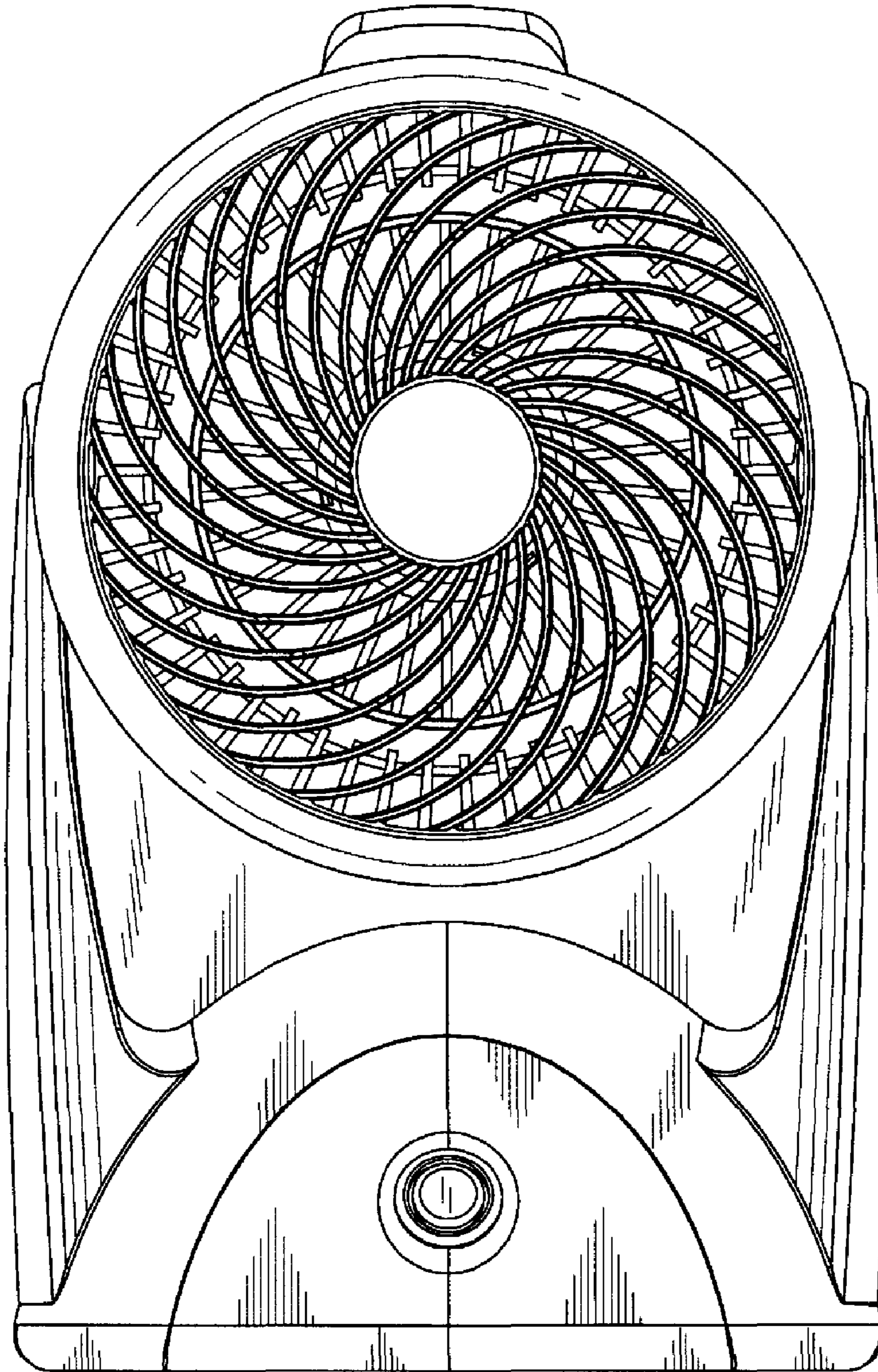


Fig. 2

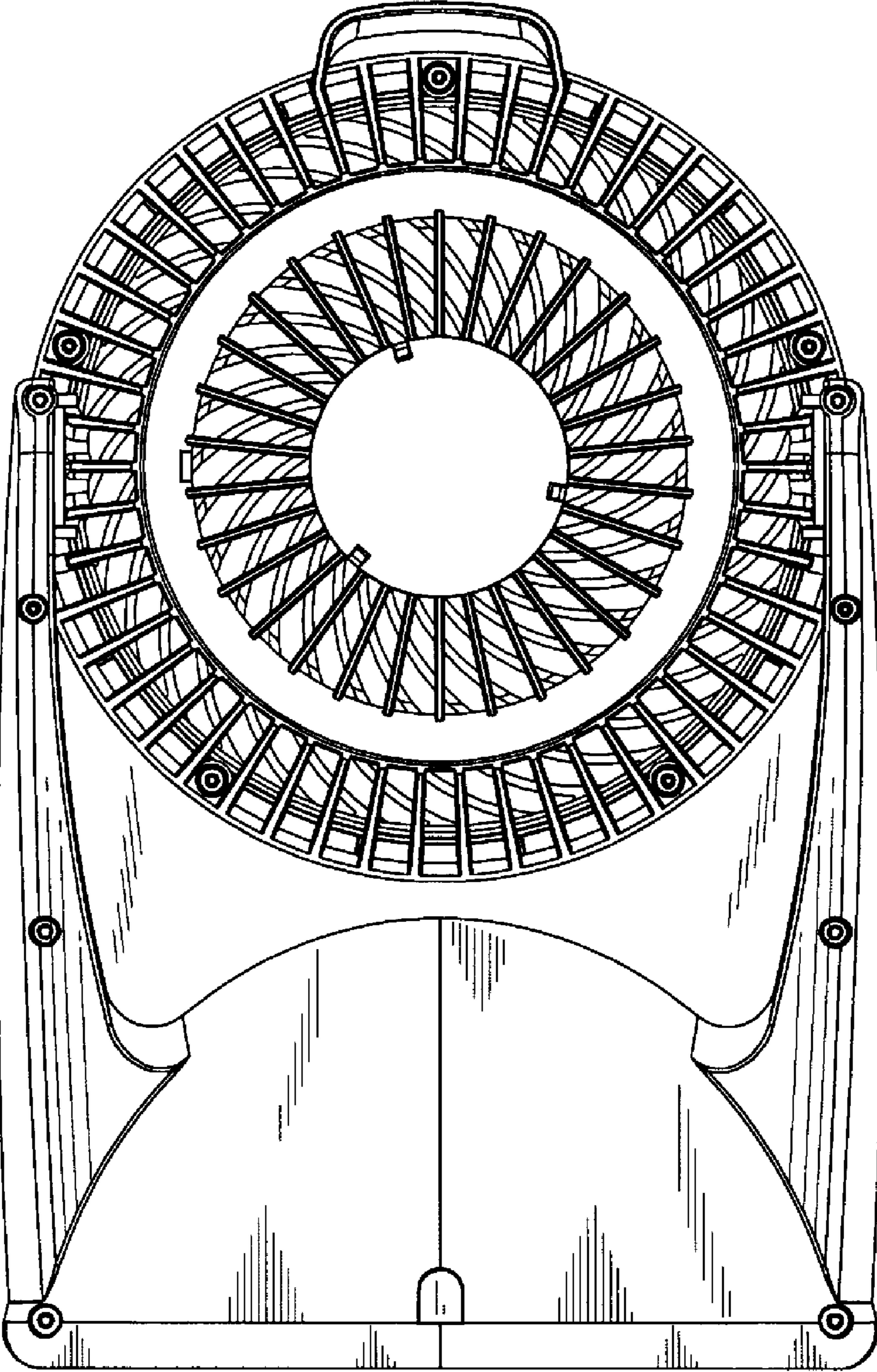


Fig. 3

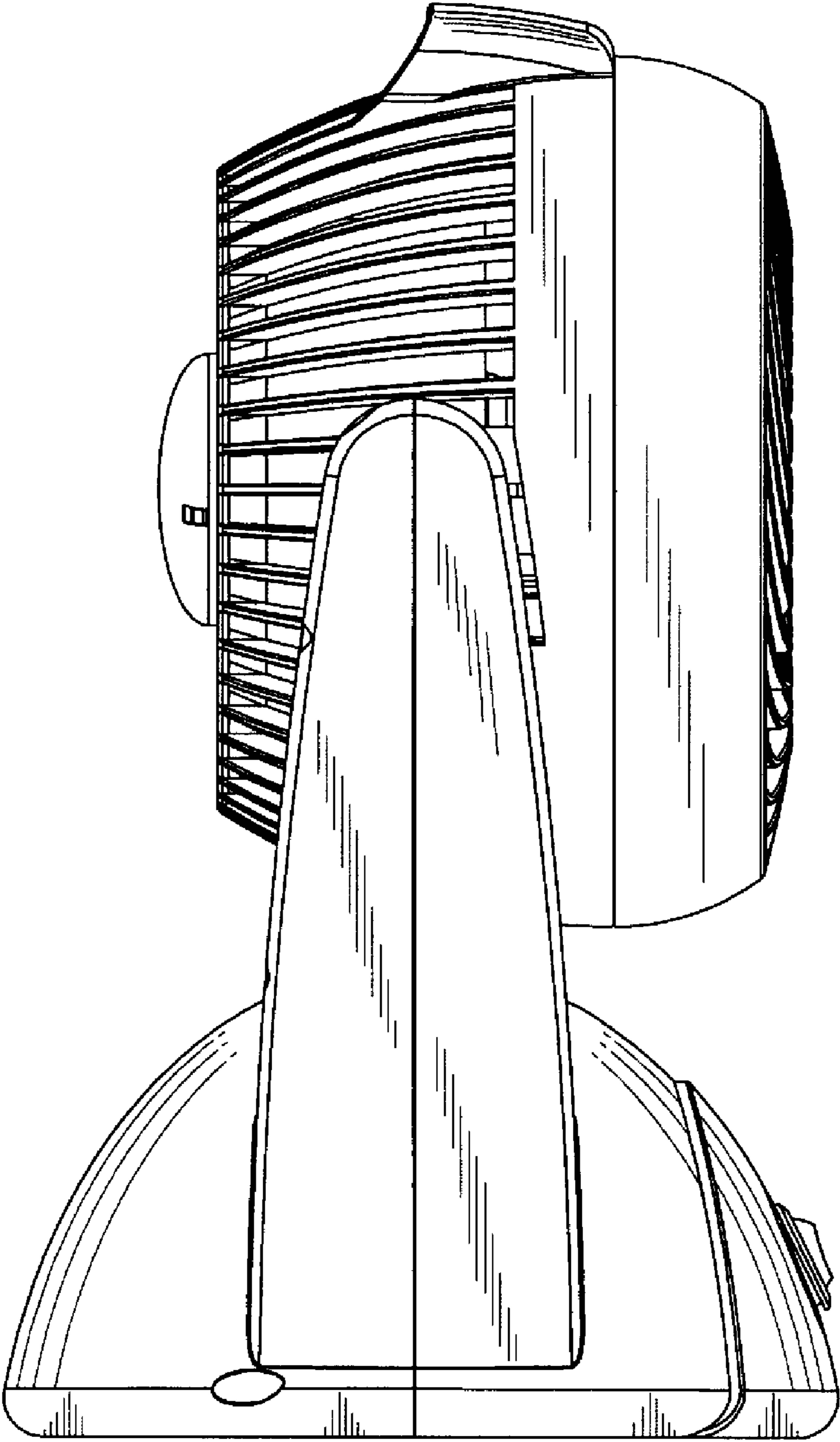


Fig. 4

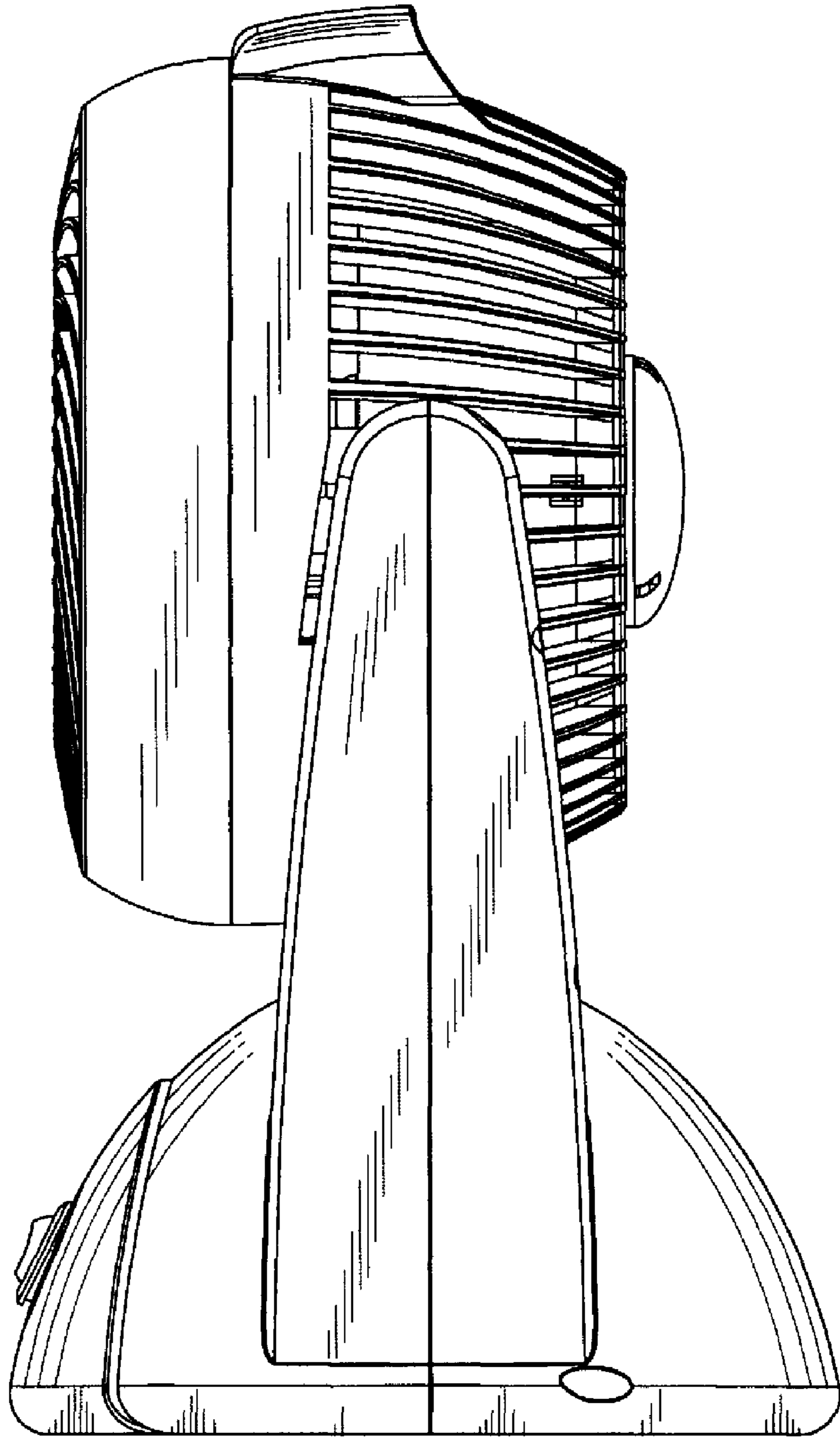


Fig. 5

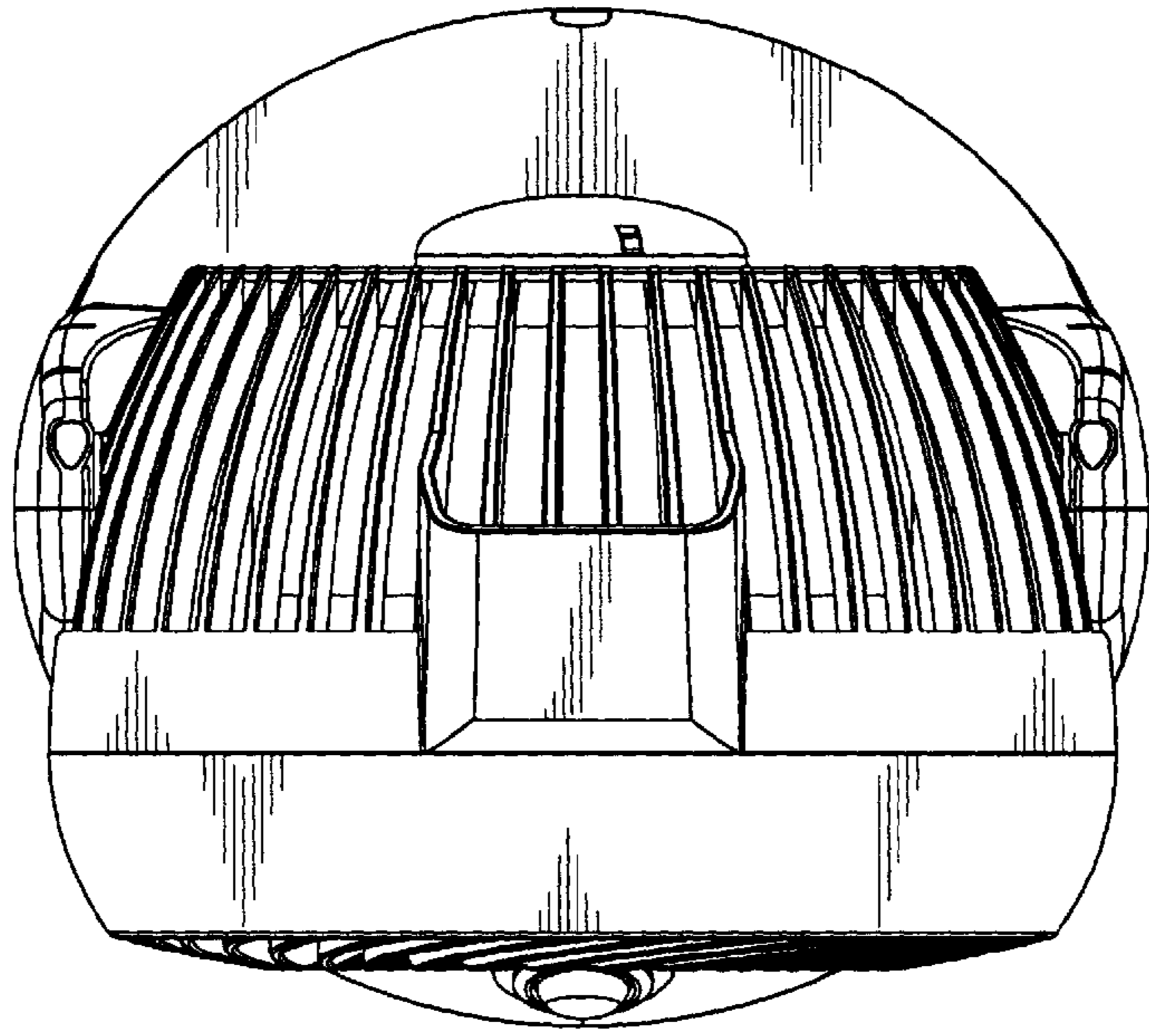


Fig. 6

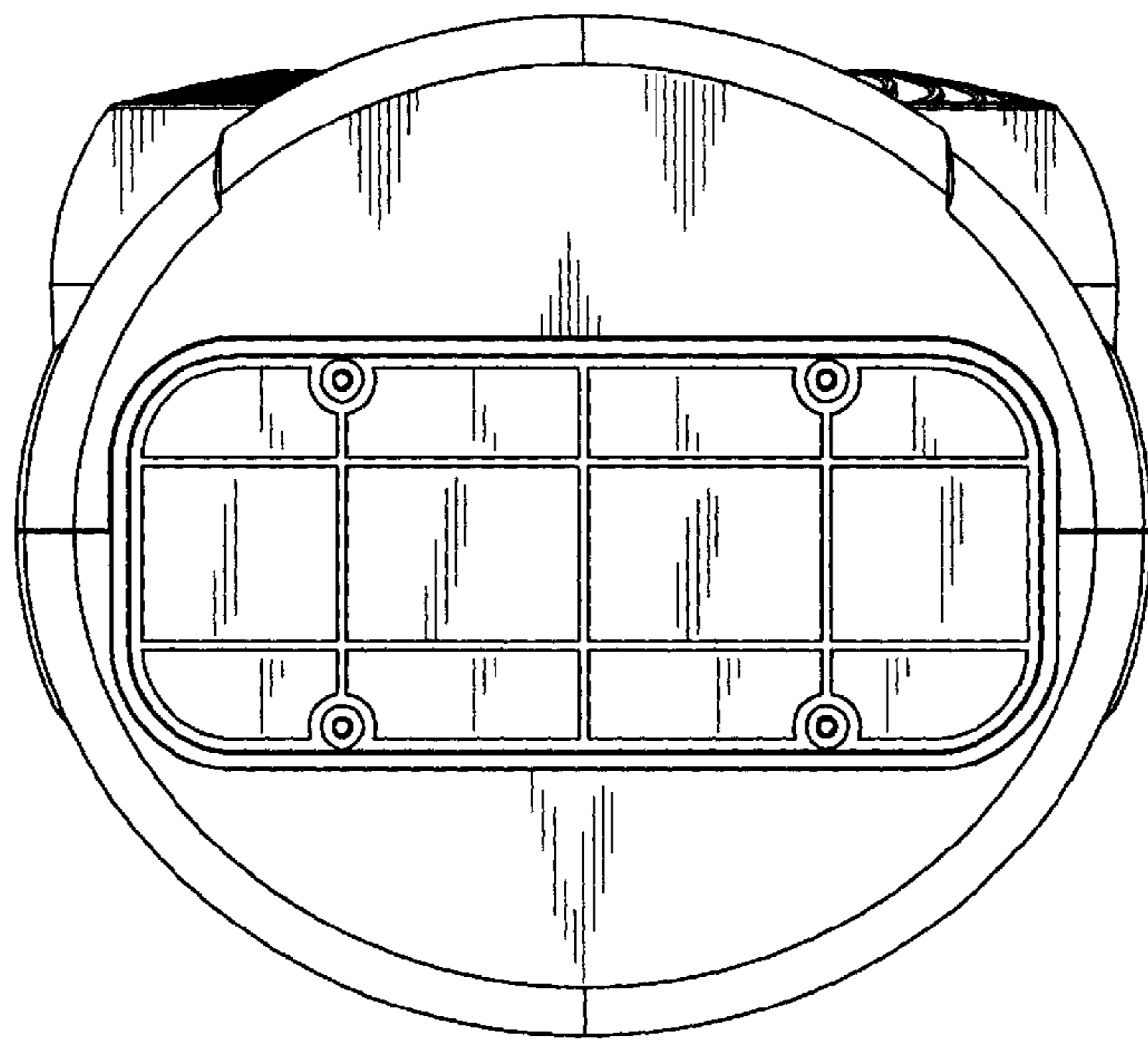


Fig. 7