



US00D617437S

(12) **United States Design Patent**
Matsuzaki

(10) **Patent No.:** **US D617,437 S**
(45) **Date of Patent:** **** Jun. 8, 2010**

(54) **AIR CLEANER**

(75) Inventor: **Kenji Matsuzaki**, Osaka (JP)

(73) Assignee: **Hakko Corporation**, Osaka (JP)

(**) Term: **14 Years**

(21) Appl. No.: **29/346,646**

(22) Filed: **Nov. 4, 2009**

(51) **LOC (9) Cl.** **23-04**

(52) **U.S. Cl.** **D23/364**

(58) **Field of Classification Search** D23/355-365,
D23/352, 366, 369, 332, 333, 335, 336, 342,
D23/351; 422/120, 122; 55/356, 473, 504;
96/97; D14/188, 170-172, 214, 496; 261/DIG. 17,
261/DIG. 65, DIG. 88, DIG. 31; D7/330

See application file for complete search history.

(56) **References Cited**

U.S. PATENT DOCUMENTS

D214,375 S	6/1969	Knab et al.	
D448,839 S	10/2001	Mishin et al.	
D488,664 S *	4/2004	Seum et al.	D7/330
D500,848 S *	1/2005	Holderfield et al.	D23/364
D529,019 S *	9/2006	Lim	D14/172
D534,999 S *	1/2007	Hussaini et al.	D23/335
D548,314 S *	8/2007	Huang	D23/356
D565,159 S *	3/2008	Shin et al.	D23/356
D567,346 S *	4/2008	Lin	D23/332
D590,487 S *	4/2009	Chen	D23/333
D592,740 S *	5/2009	Catrino	D23/332
D596,728 S *	7/2009	Campbell et al.	D23/364
D597,187 S *	7/2009	Campbell	D23/356

D600,336 S *	9/2009	Lin	D23/332
D600,788 S	9/2009	Campbell et al.	
D600,789 S	9/2009	Campbell et al.	
D605,745 S *	12/2009	Chun et al.	D23/359

OTHER PUBLICATIONS

The catalog of Cooper Industries, Ltd. "Weller Volume Extraction System WFE2ES", Jul. 2007.

* cited by examiner

Primary Examiner—T. Chase Nelson

Assistant Examiner—David G Muller

(74) *Attorney, Agent, or Firm*—Squire, Sanders & Dempsey, L.L.P.

(57) **CLAIM**

The ornamental design for an air cleaner, as shown and described.

DESCRIPTION

FIG. 1 is a first perspective view of an air cleaner;

FIG. 2 is a second perspective view thereof;

FIG. 3 is a front view thereof;

FIG. 4 is a rear view thereof;

FIG. 5 is a left side view thereof;

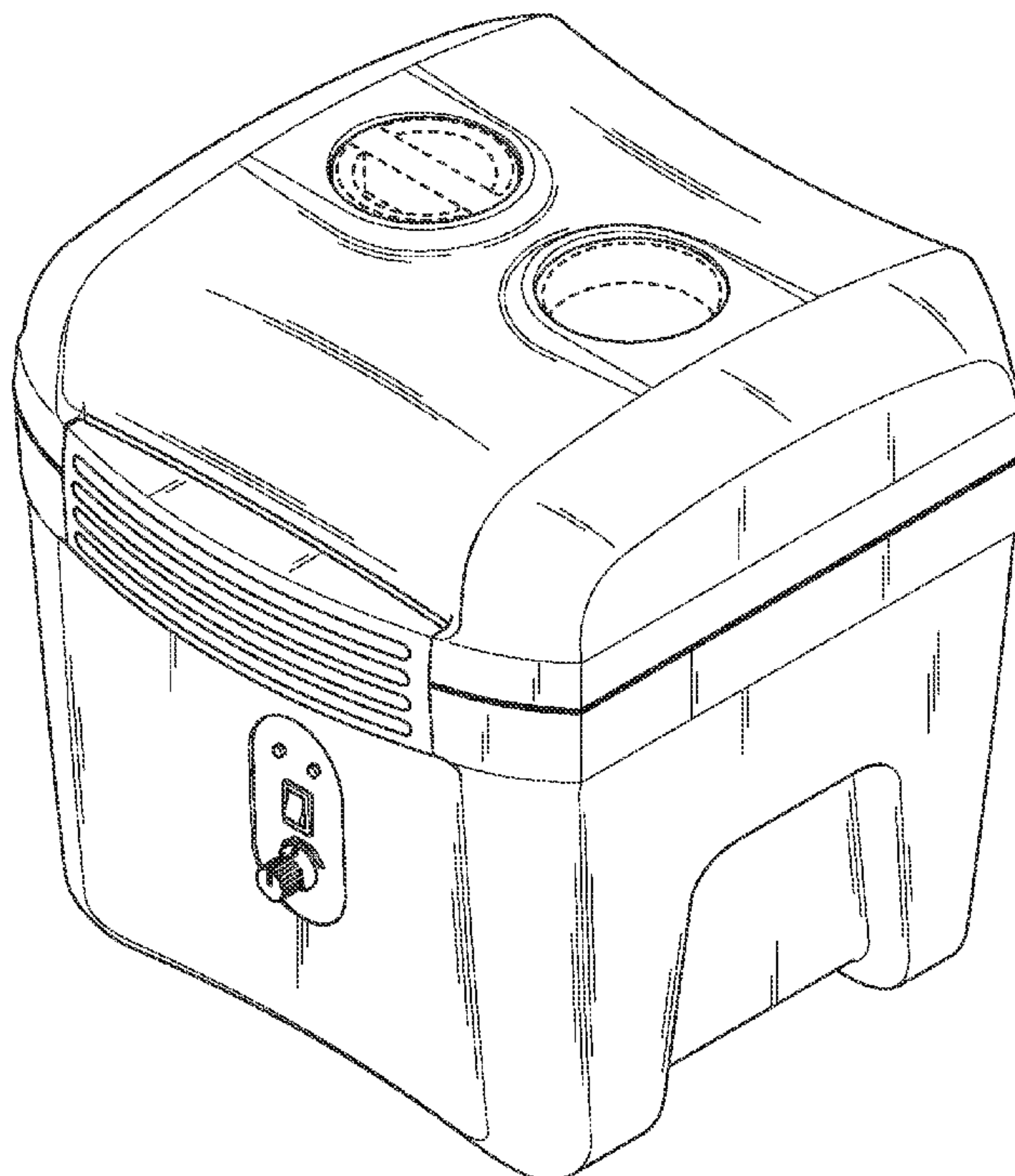
FIG. 6 is a right side view thereof;

FIG. 7 is a top view thereof; and,

FIG. 8 is a bottom view thereof.

The broken line showing of parts of the drawings is included for the purpose of illustrating use and environment and forms no part of the claimed design.

1 Claim, 8 Drawing Sheets



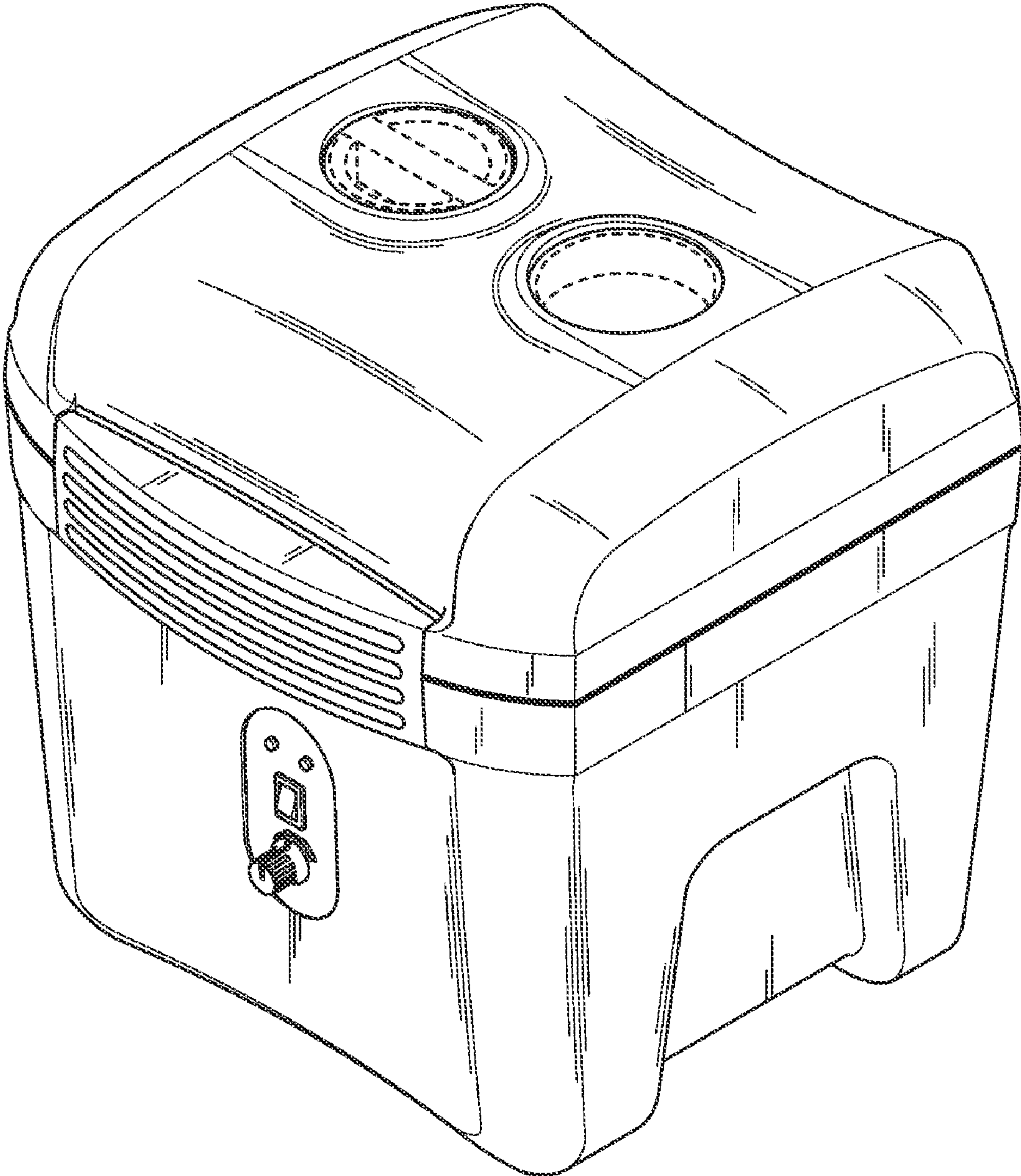


FIG.1

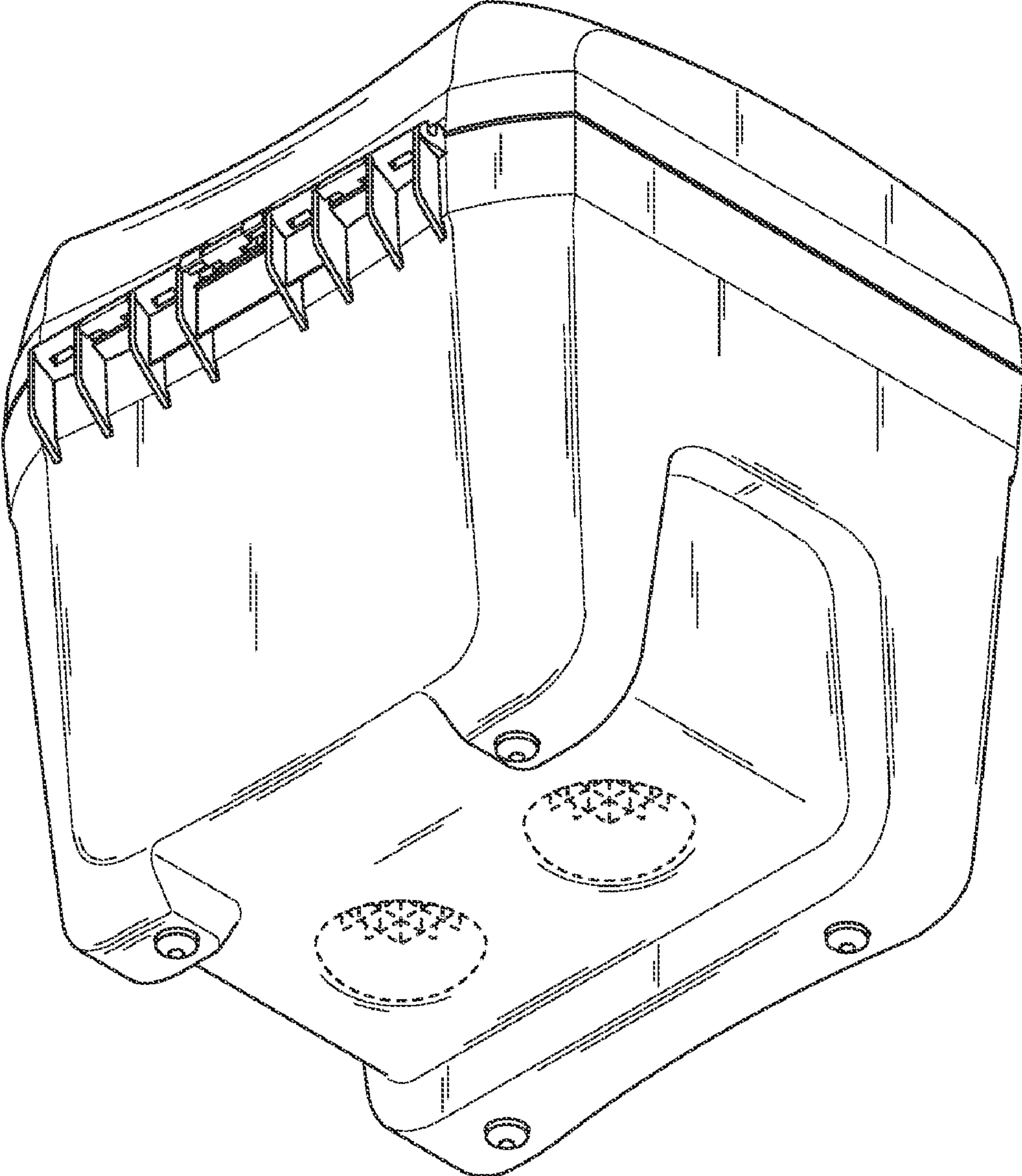


FIG.2

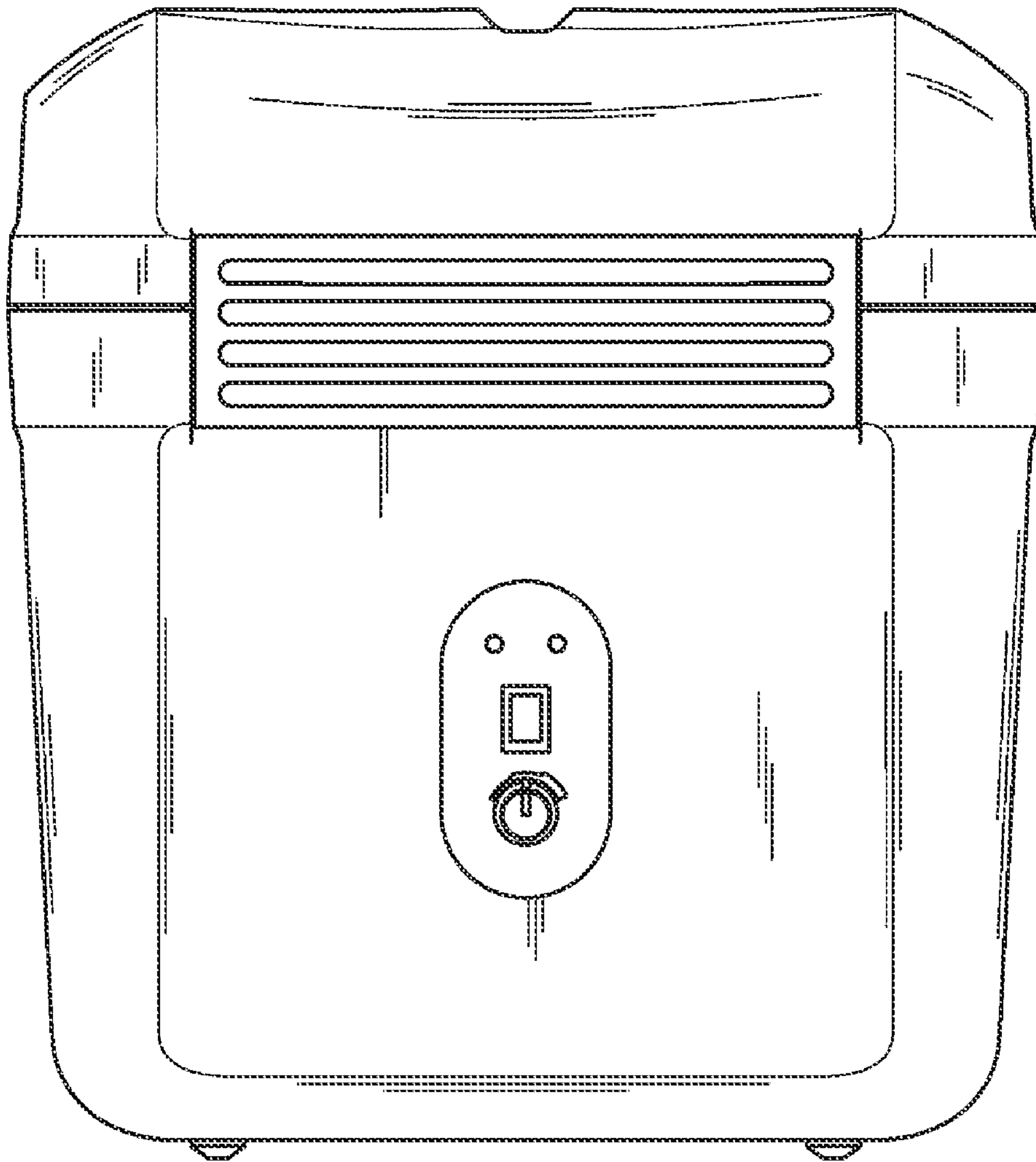


FIG.3

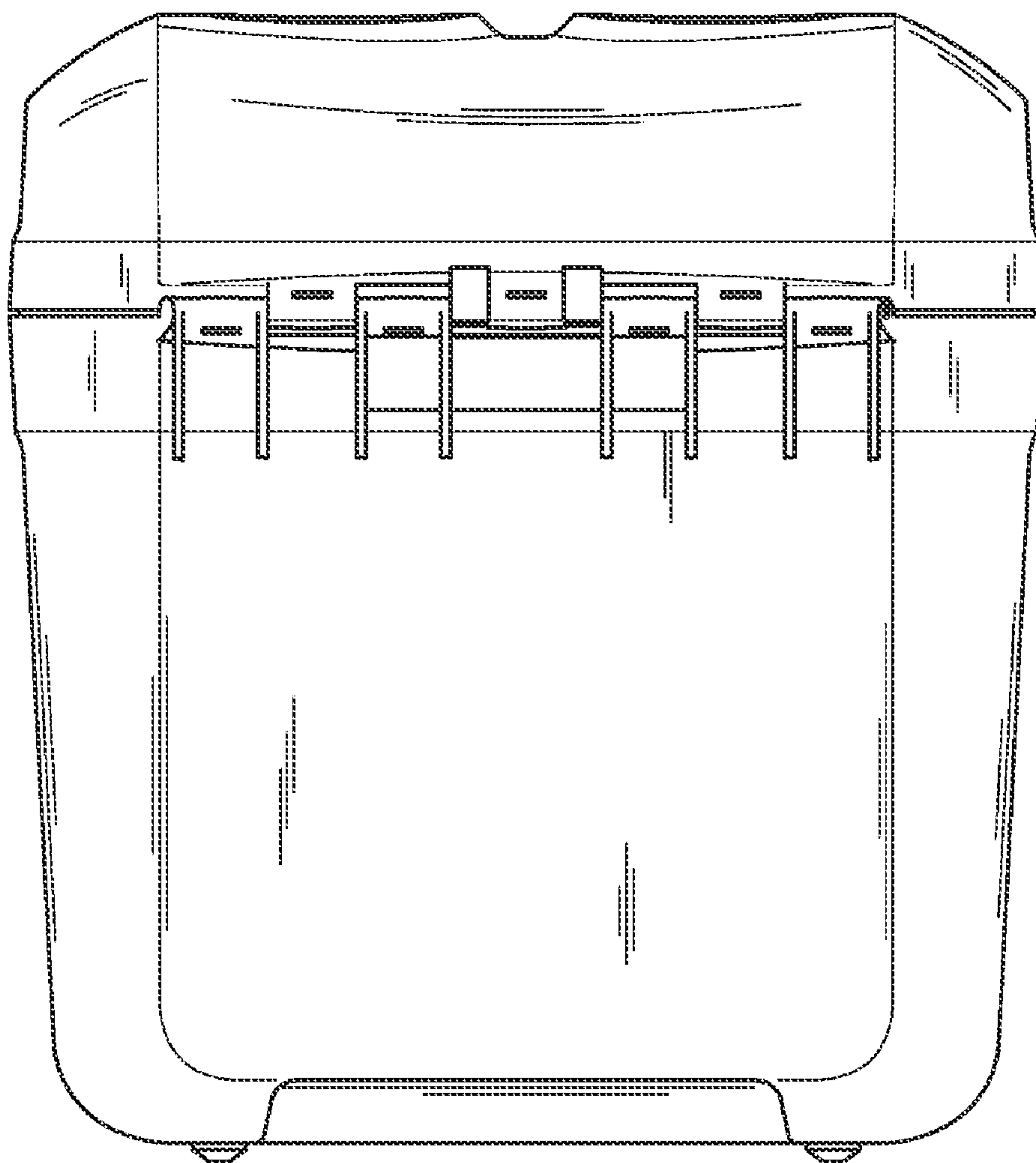


FIG.4

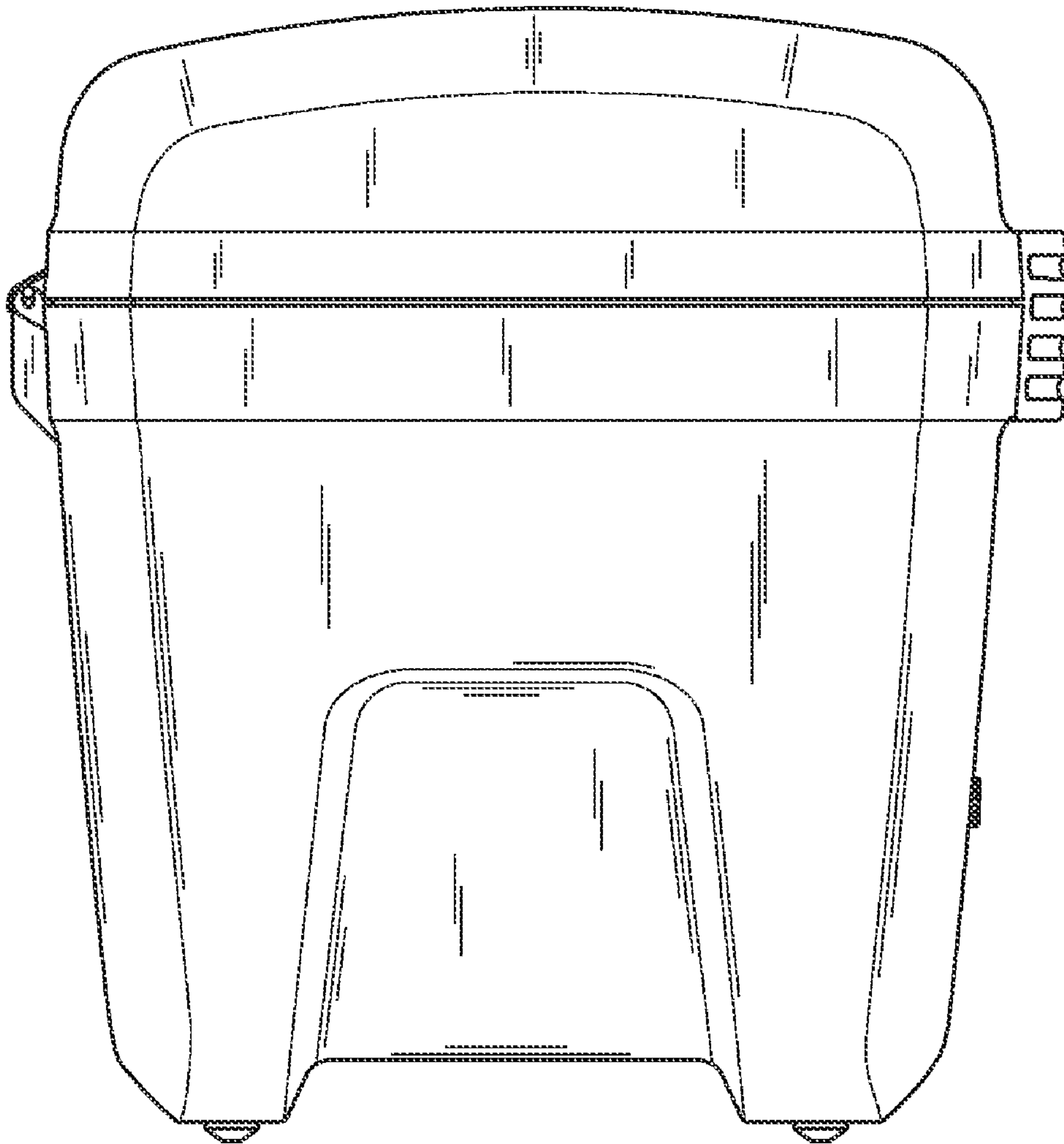


FIG.5

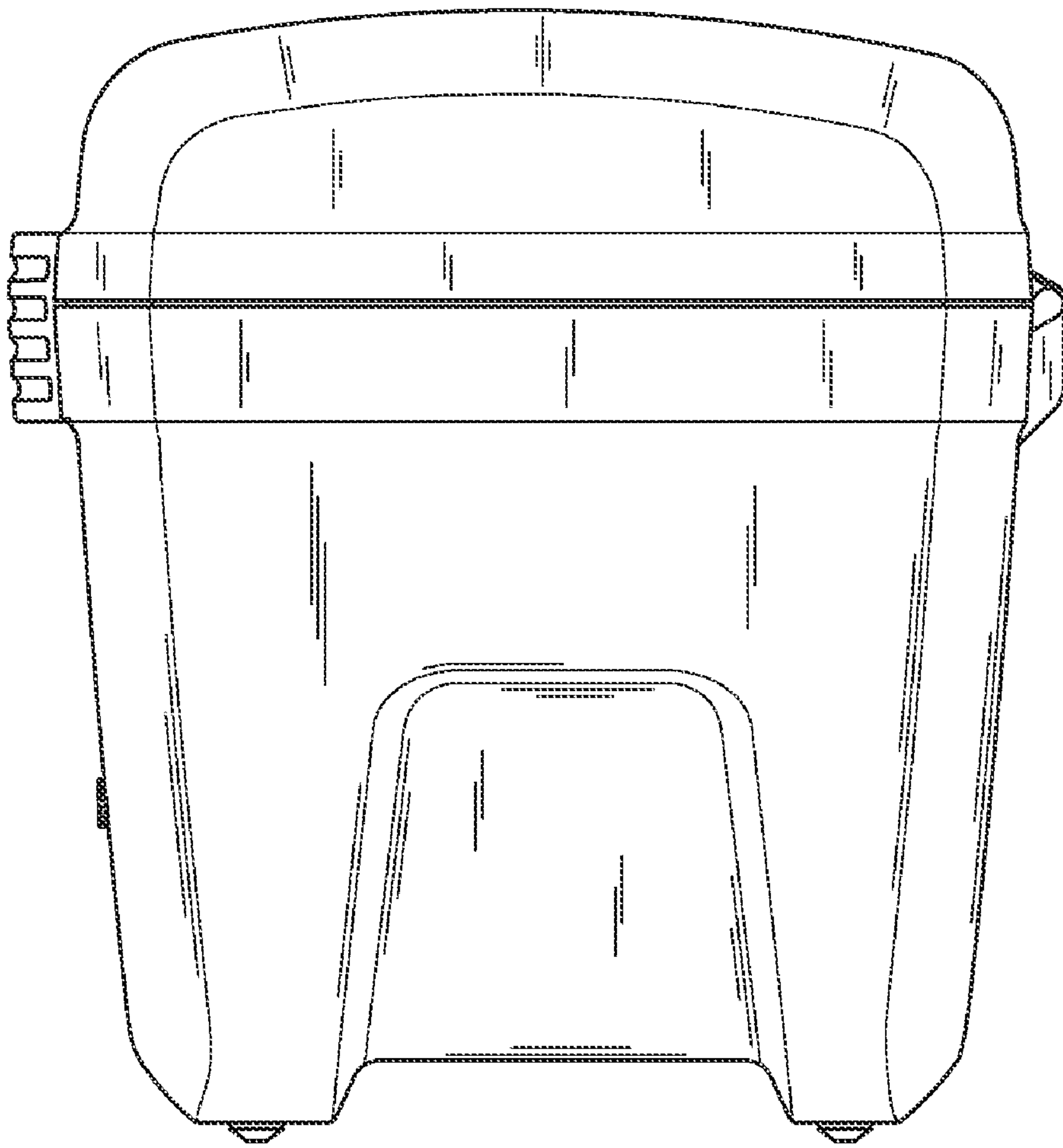


FIG.6

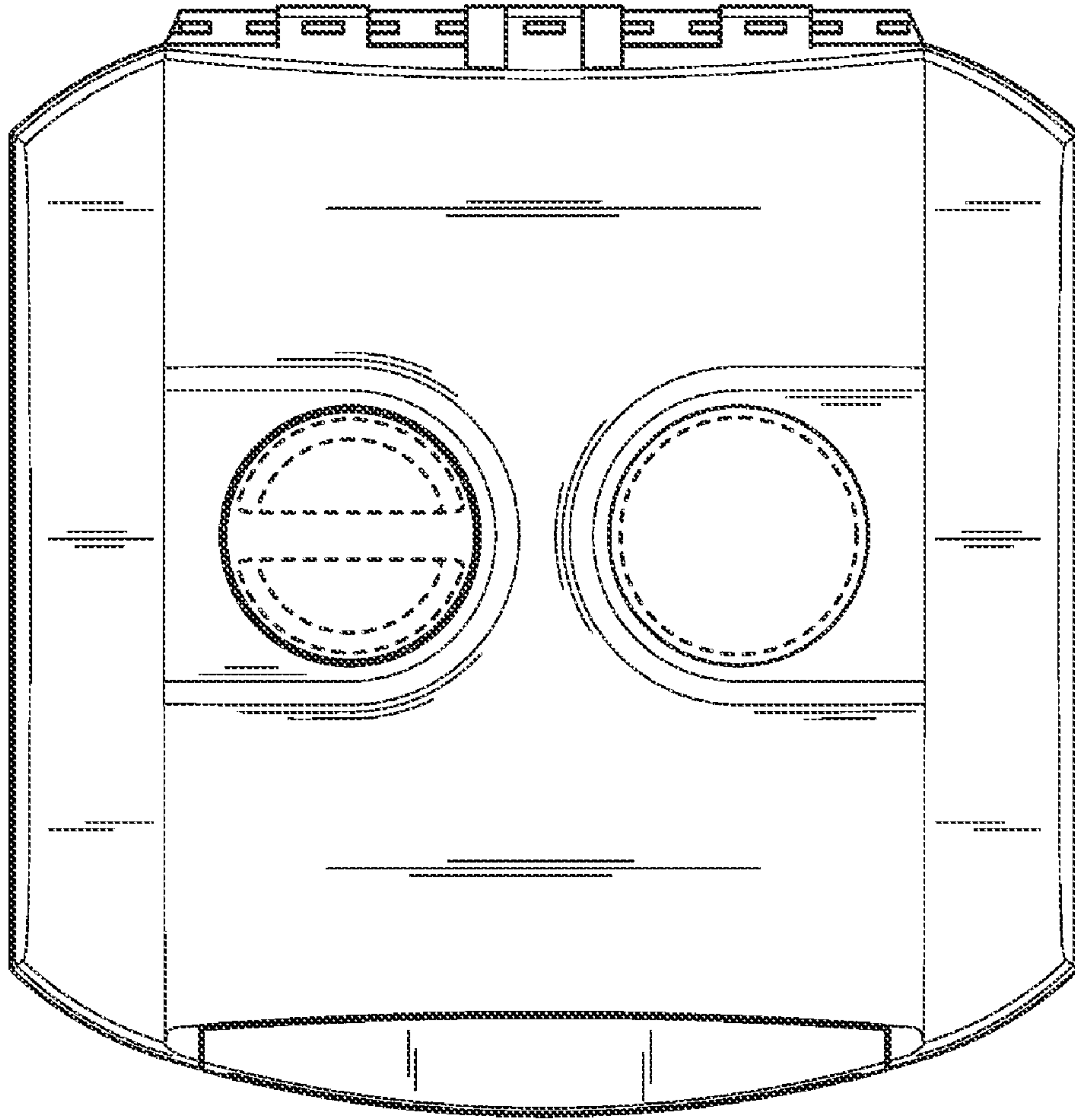


FIG.7

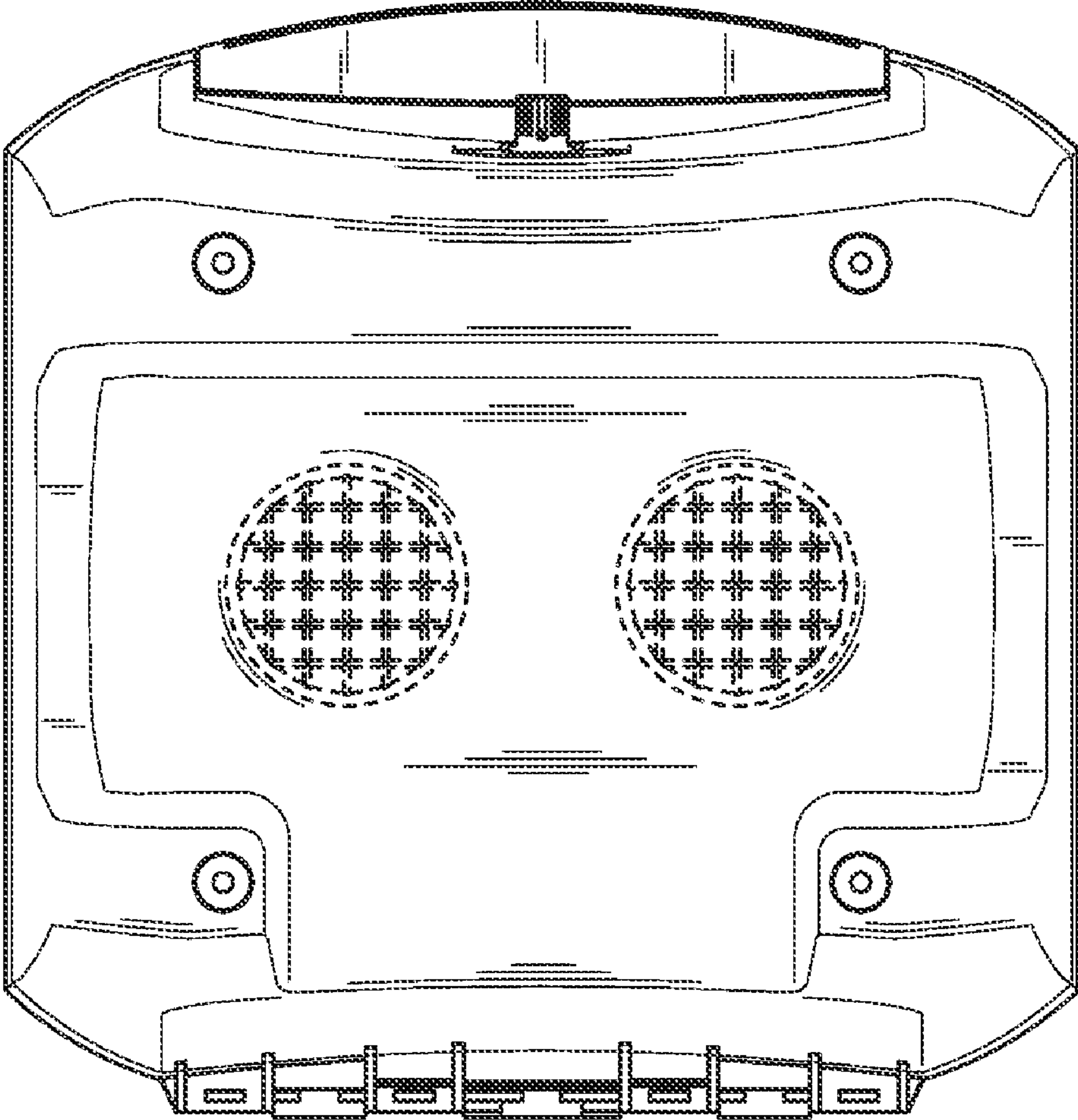


FIG.8