



US00D617434S

(12) **United States Design Patent**
Aregger et al.

(10) **Patent No.:** **US D617,434 S**
(45) **Date of Patent:** **** Jun. 8, 2010**

(54) **AIR HEATER**

(75) Inventors: **Rolf Aregger**, Ebikon (CH); **Lukas Gisler**, Alpnach Dorf (CH)

(73) Assignee: **Leister Process Technologies**, Sarnen (CH)

(**) Term: **14 Years**

(21) Appl. No.: **29/326,244**

(22) Filed: **Oct. 15, 2008**

Related U.S. Application Data

(62) Division of application No. 29/303,112, filed on Feb. 1, 2008, now Pat. No. Des. 604,399.

(51) **LOC (9) Cl.** **23-03**

(52) **U.S. Cl.** **D23/317; D23/314**

(58) **Field of Classification Search** D23/314,
D23/317, 323, 328, 330, 332-350, 386; 392/465,
392/497, 501; 165/163, 157; 126/304 R,
126/305, 306

See application file for complete search history.

(56) **References Cited**

U.S. PATENT DOCUMENTS

D105,364 S * 7/1937 Herr D23/416
D105,999 S * 9/1937 Morgan D23/416

D163,671 S * 6/1951 Beckett D23/416
D405,170 S * 2/1999 Haeck D23/328
D573,703 S * 7/2008 Gosselin et al. D23/335

* cited by examiner

Primary Examiner—T. Chase Nelson

Assistant Examiner—Ania K Dworzecka

(74) *Attorney, Agent, or Firm*—Bachman & LaPointe, P.C.

(57) **CLAIM**

The ornamental design for an air heater, as shown and described.

DESCRIPTION

FIG. 1 is a left side view of an air heater showing our new design.

FIG. 2 is a right side view of the air heater of FIG. 1.

FIG. 3 is a top view of the air heater of FIG. 1.

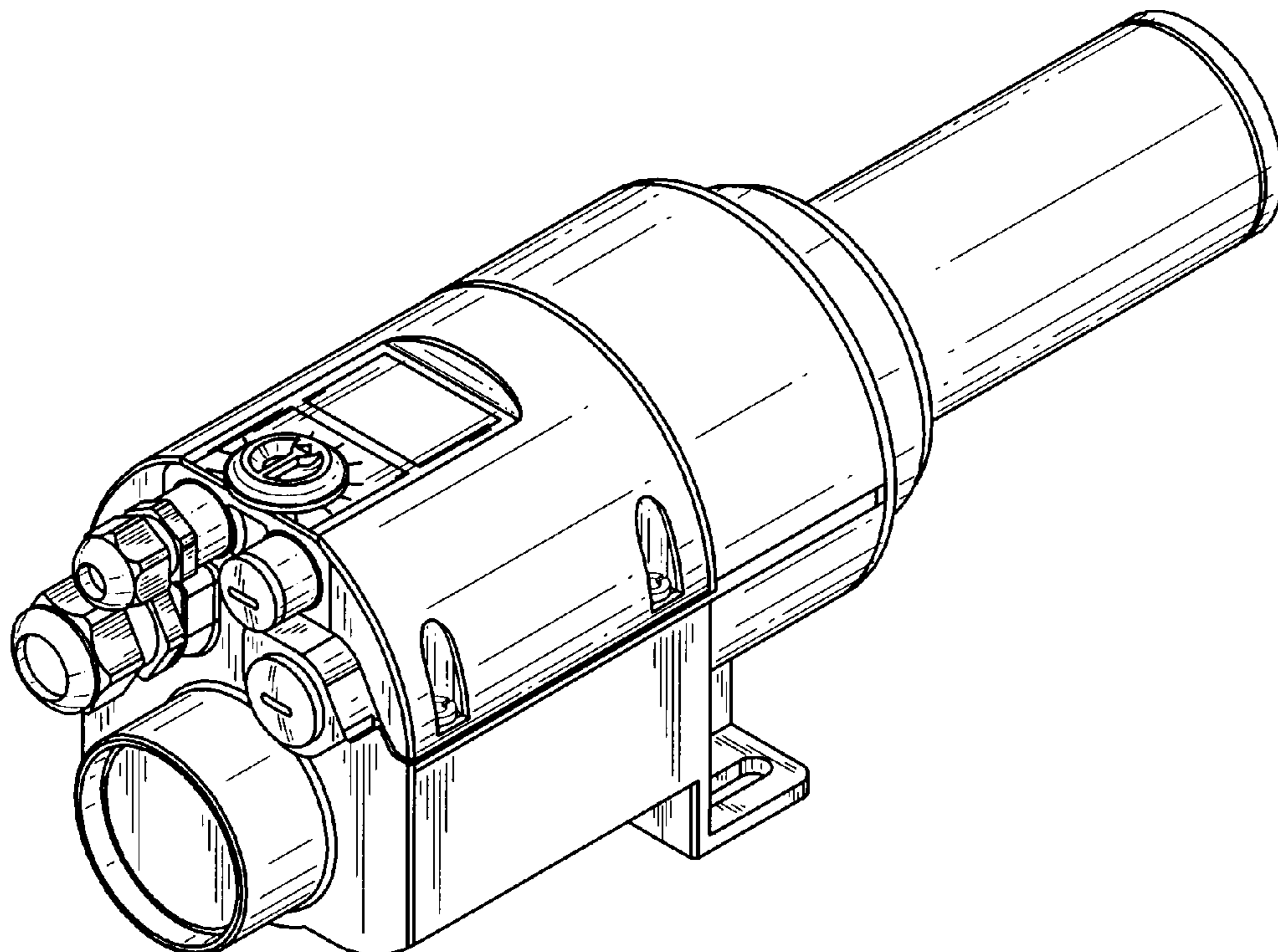
FIG. 4 is a front perspective view of the air heater of FIG. 1.

FIG. 5 is a rear view of the air heater of FIG. 1.

FIG. 6 is a front view of the air heater of FIG. 1; and,

FIG. 7 is a rear perspective view of the air heater of FIG. 1.

1 Claim, 4 Drawing Sheets



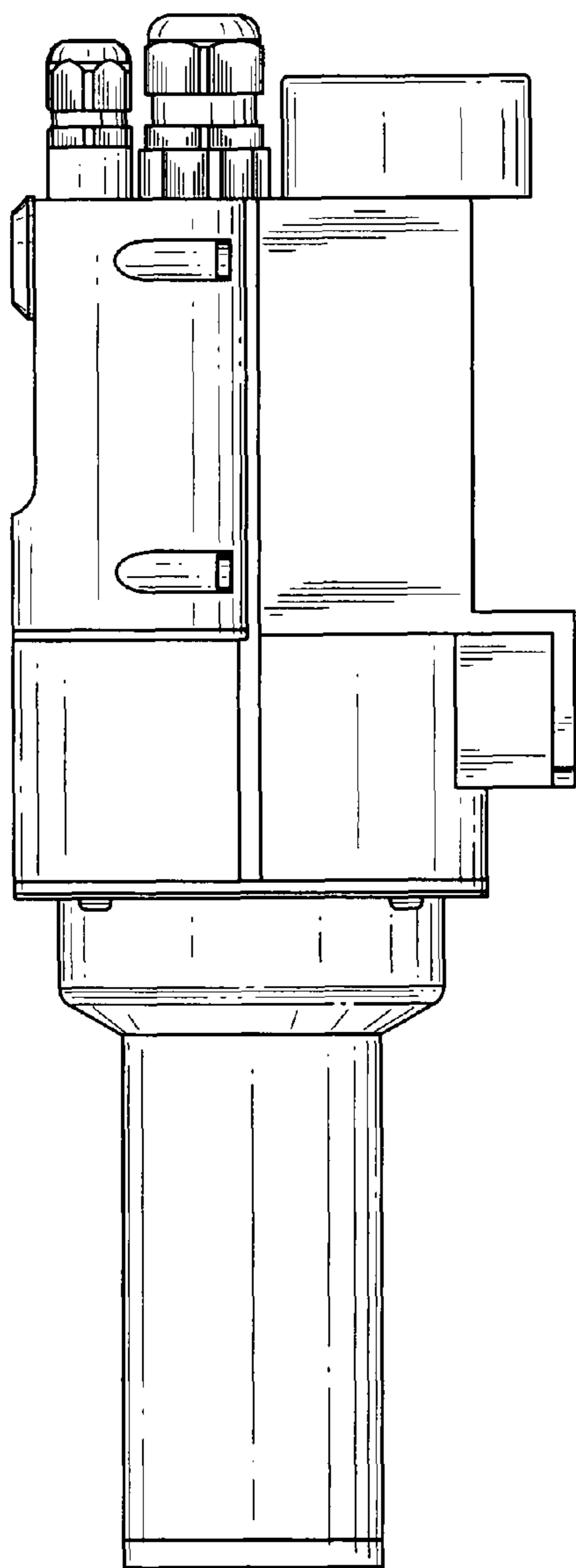


FIG. 1

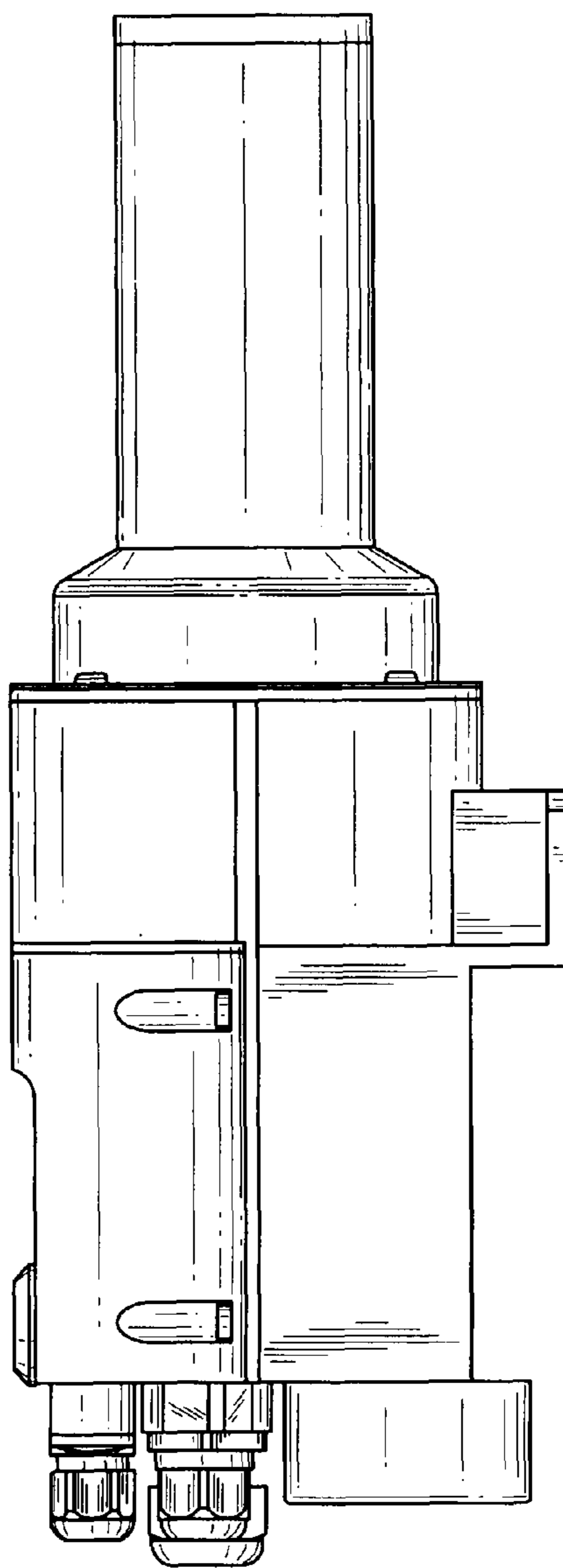


FIG. 2

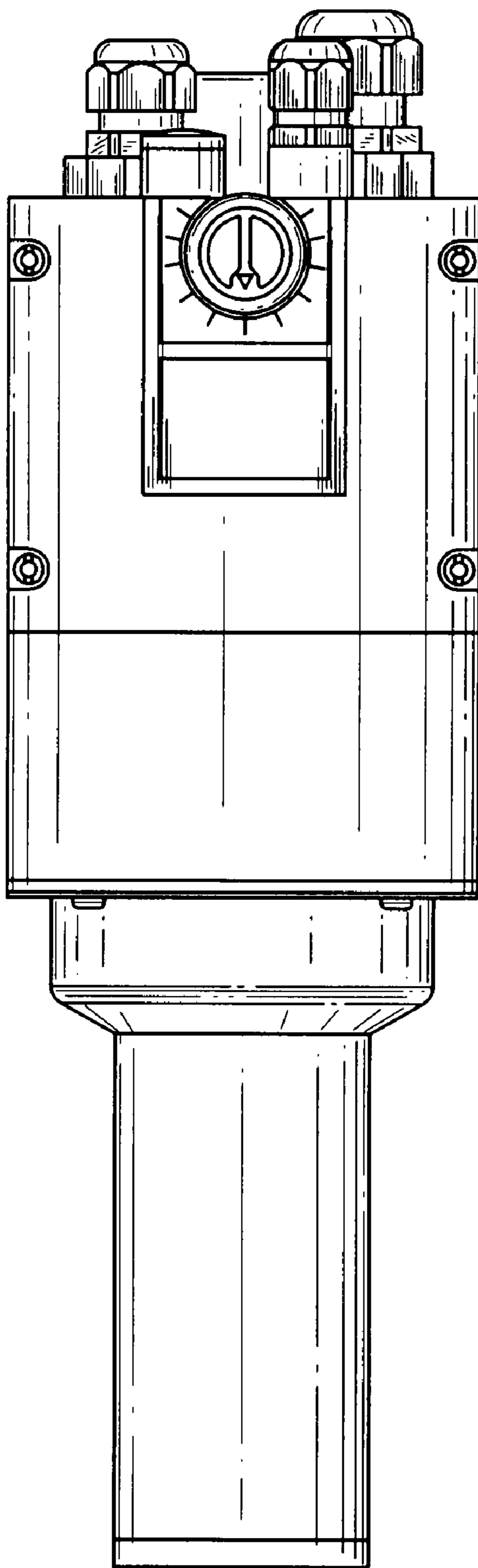


FIG. 3

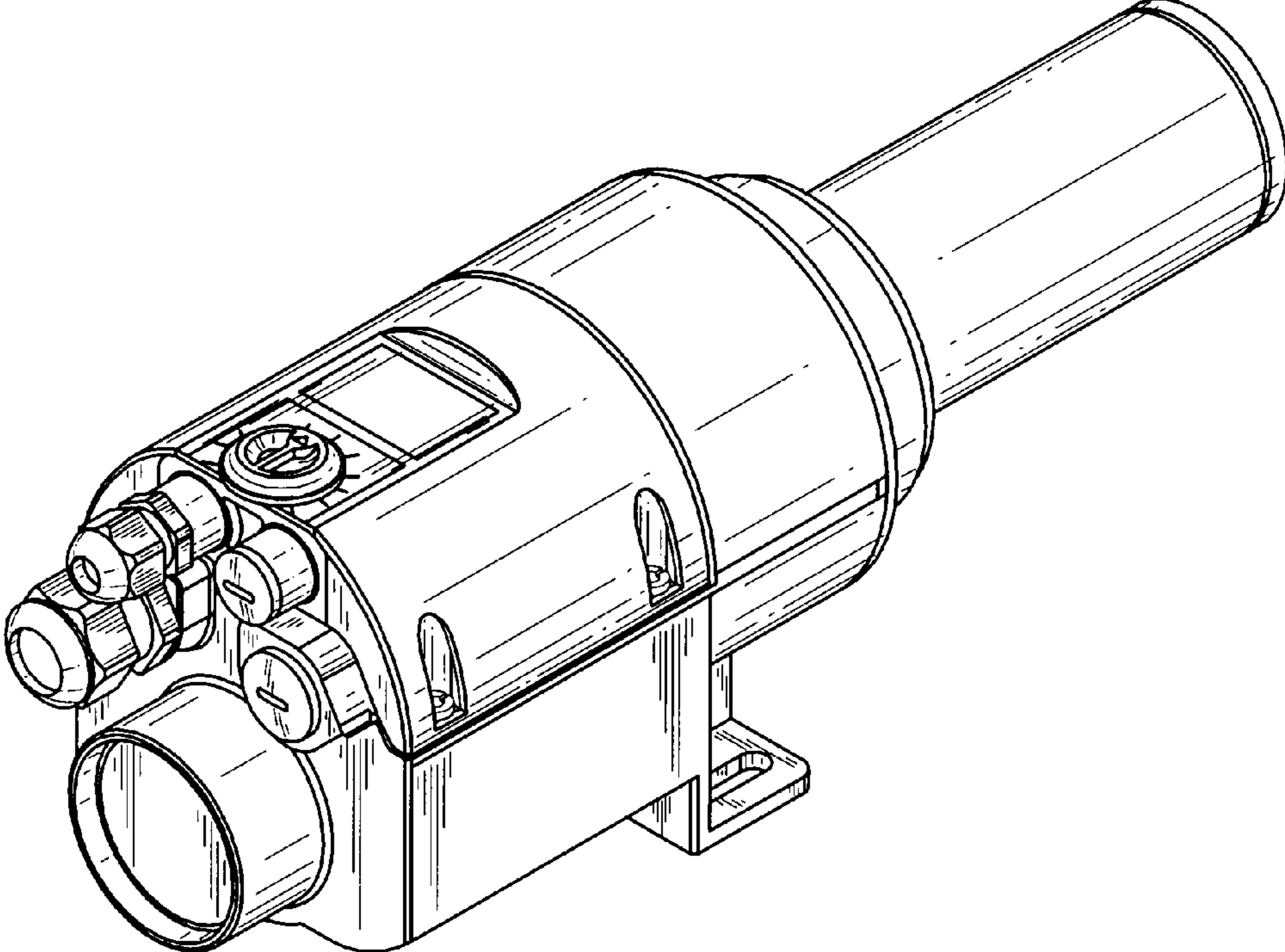


FIG. 7

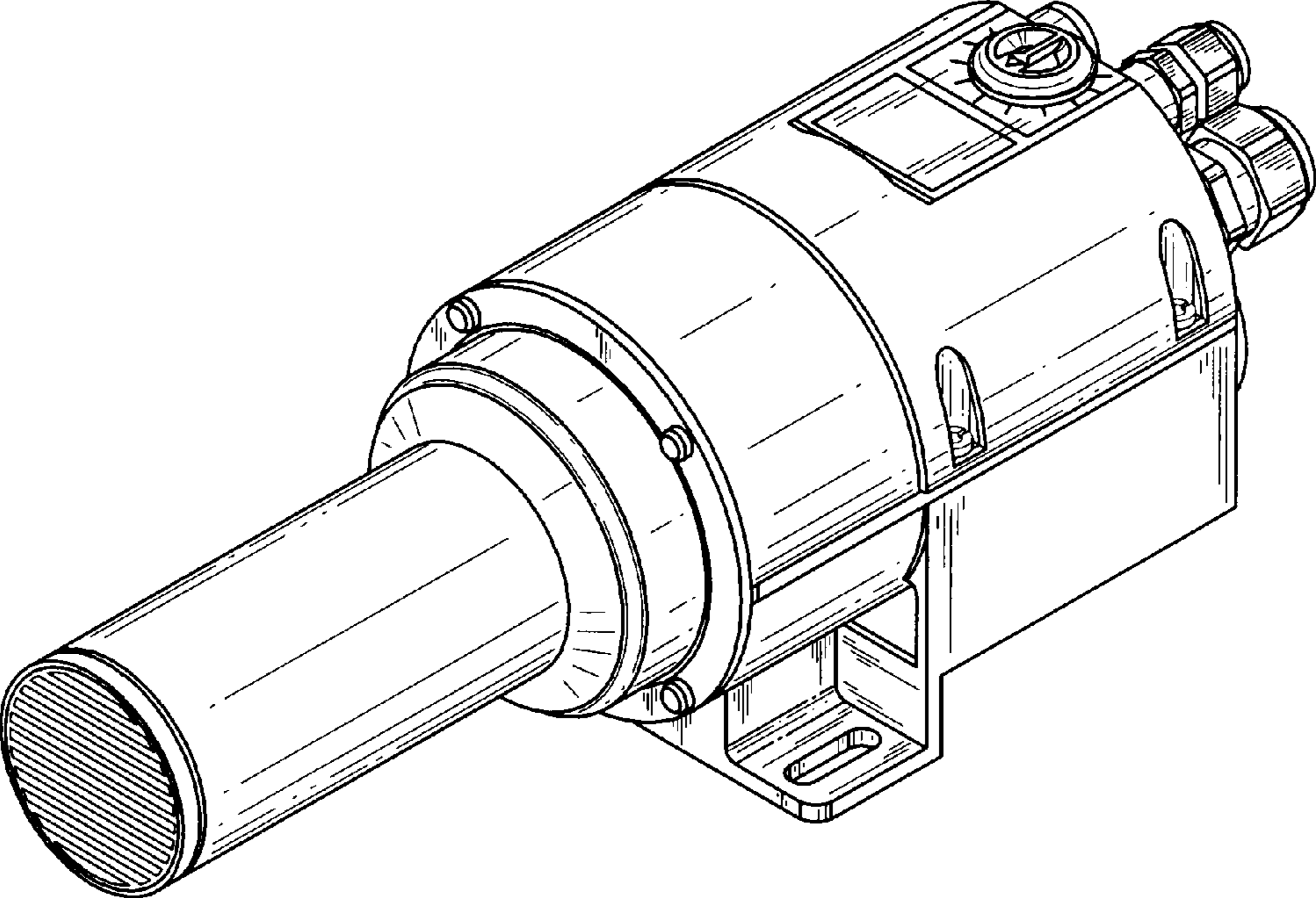


FIG. 4

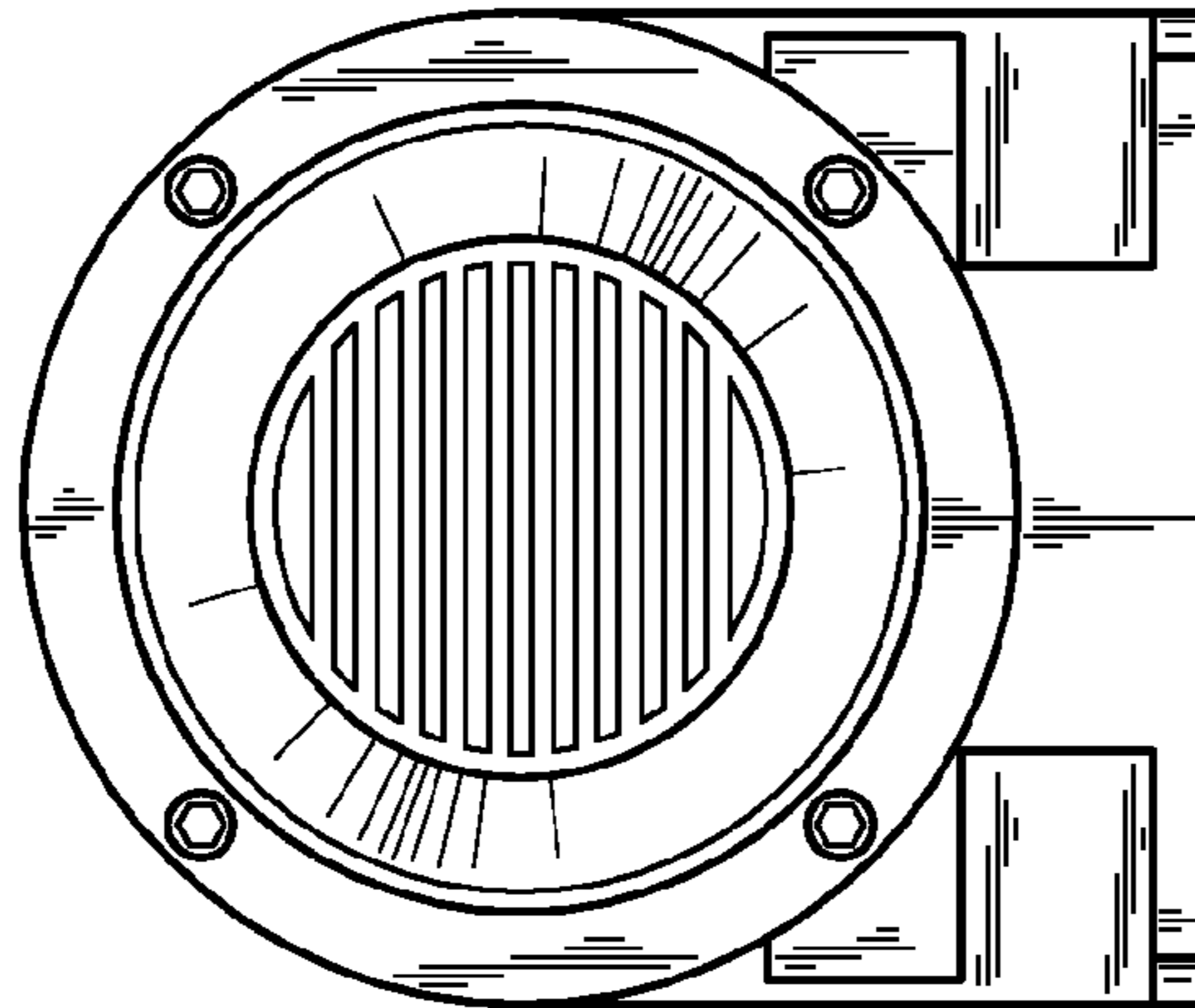


FIG. 6

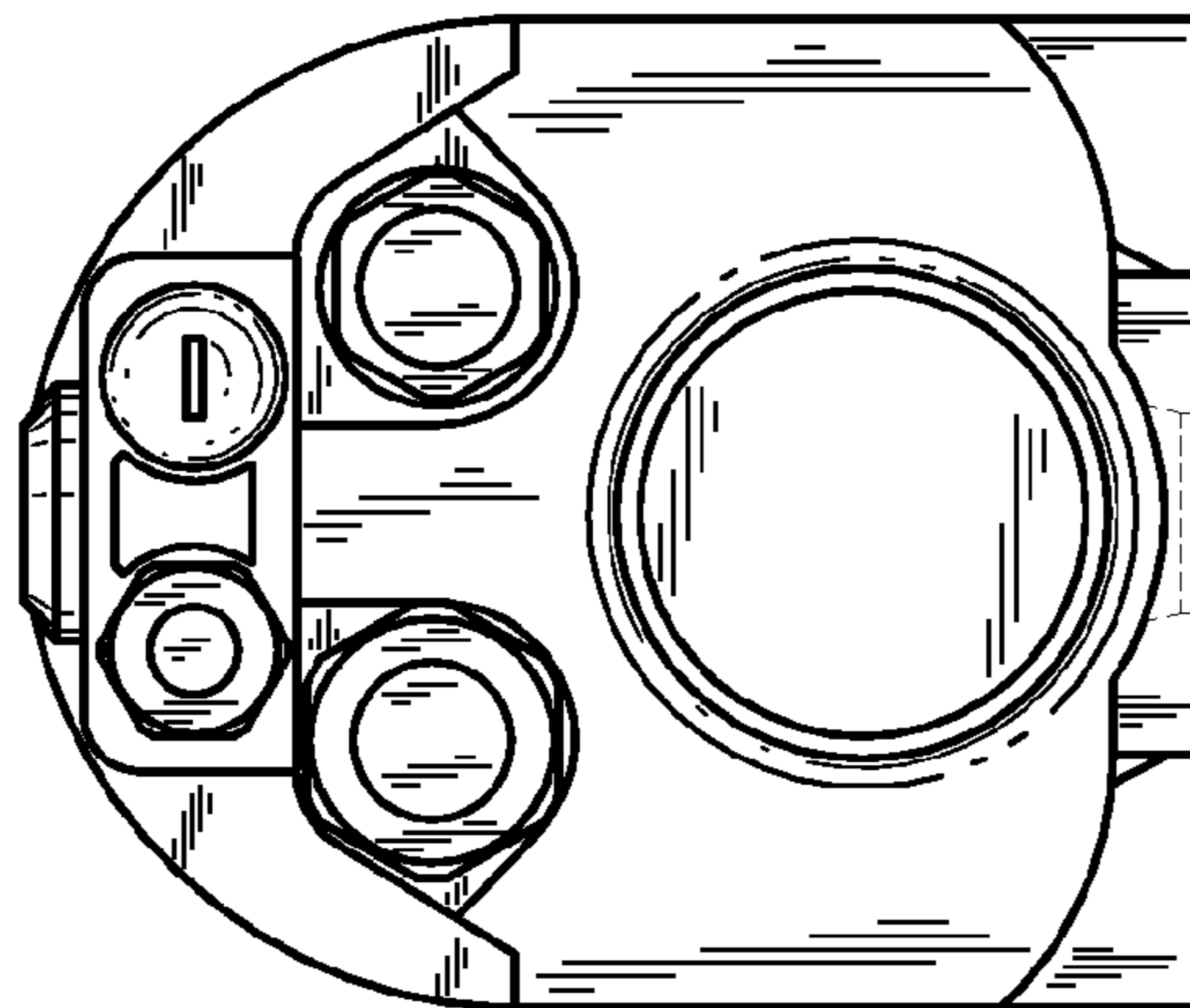


FIG. 5