



US00D617432S

(12) **United States Design Patent**  
**Stanchak**

(10) **Patent No.:** **US D617,432 S**  
(45) **Date of Patent:** **\*\* Jun. 8, 2010**

(54) **TUB FOR BATHING**

(57) **CLAIM**

(75) Inventor: **Katherine A. Stanchak**, Medford, MA  
(US)

The ornamental design for a tub for bathing, as shown and described.

(73) Assignee: **Kohler Co.**, Kohler, WI (US)

**DESCRIPTION**

(\*\*) Term: **14 Years**

FIG. 1 is a right, top, front perspective view of a tub for bathing embodying my new design;

(21) Appl. No.: **29/331,025**

FIG. 2 is a top plan view thereof;

(22) Filed: **Jan. 16, 2009**

FIG. 3 is a front elevational view thereof, the rear elevational view thereof being a mirror image of the front shown;

(51) **LOC (9) Cl.** ..... **23-02**

(52) **U.S. Cl.** ..... **D23/277**

(58) **Field of Classification Search** ..... D23/277,  
D23/280.1-280.3, 304; 4/538; D24/204-205

FIG. 4 is a right side elevational view thereof;

FIG. 5 is a left side elevational view thereof;

See application file for complete search history.

FIG. 6 is a bottom plan view thereof;

(56) **References Cited**

FIG. 7 is a right, top, front perspective view of a tub for bathing according to another embodiment of my new design;

**U.S. PATENT DOCUMENTS**

D227,101 S \* 6/1973 Primusult ..... D23/280.3  
D523,941 S \* 6/2006 Bates ..... D23/304

FIG. 8 is a top plan view thereof;

FIG. 9 is a front elevational view thereof, the rear elevational view thereof being a mirror image of the front shown;

**OTHER PUBLICATIONS**

Kohler Co. "Windward Acrylic Bath". Model No. K-1115 and K-1115-F. Kohler Co. online catalog.  
THG. "Yoko Tub". HomePortfolio.com online catalog. Copyright 1997-2008 HomePortfolio Inc.  
Kohler Co. "Memoirs 5.5' Whirlpool & Bath". Model No. K-1169-96 and K-1170-H2-G9. Kohler Co. catalog p. 8.31.

FIG. 10 is a right side elevational view thereof;

FIG. 11 is a left side elevational view thereof; and,

FIG. 12 is a bottom plan view thereof.

\* cited by examiner

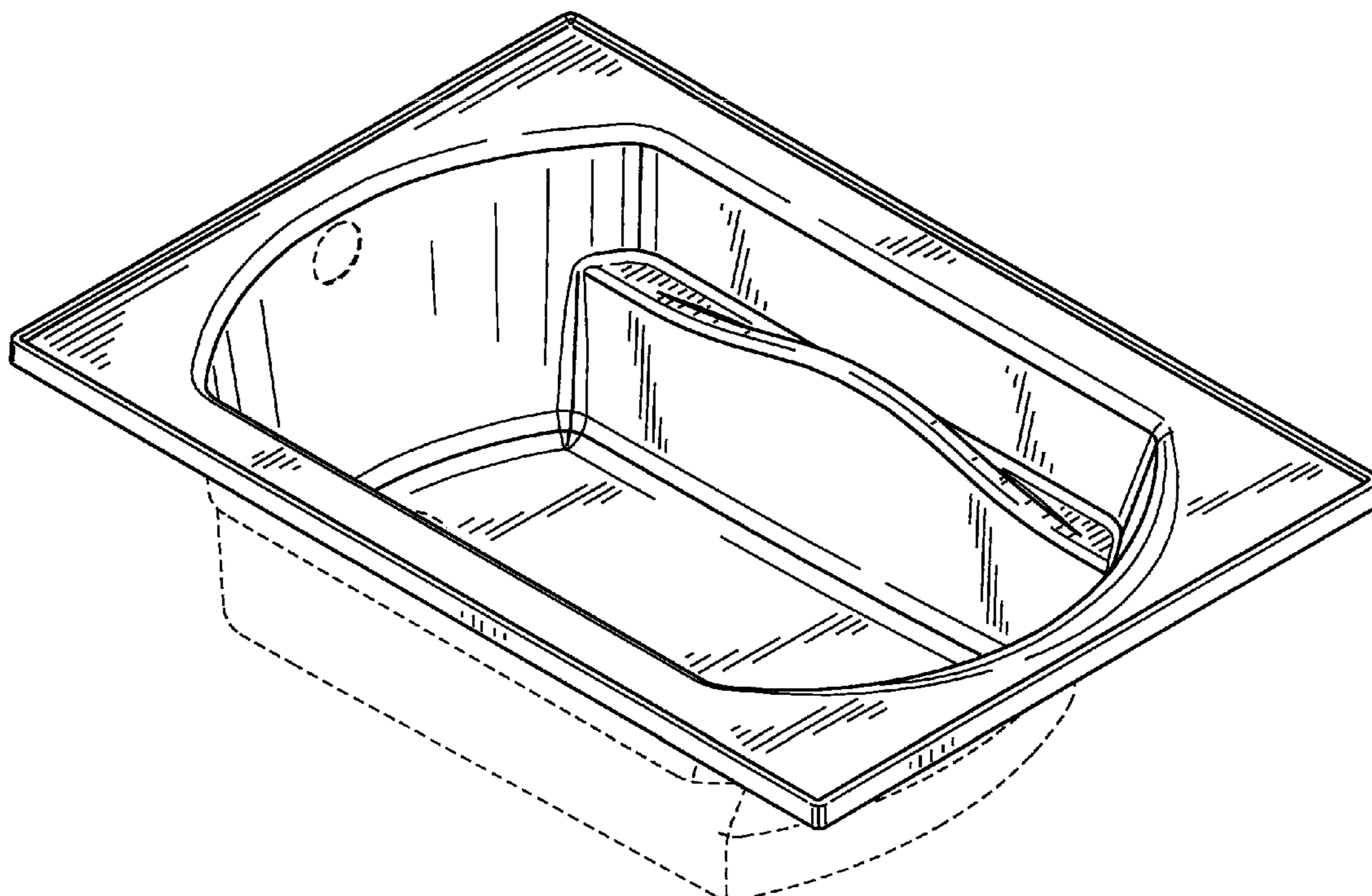
The broken line representations in the figures are for the purpose of illustration only, and form no part of the claimed design.

In a preferred embodiment, the nature of this product is as a plumbing fixture in the form of a bathing tub primary useful for washing the human body.

*Primary Examiner*—Robert A Delehanty

(74) *Attorney, Agent, or Firm*—Quarles & Brady LLP

**1 Claim, 10 Drawing Sheets**



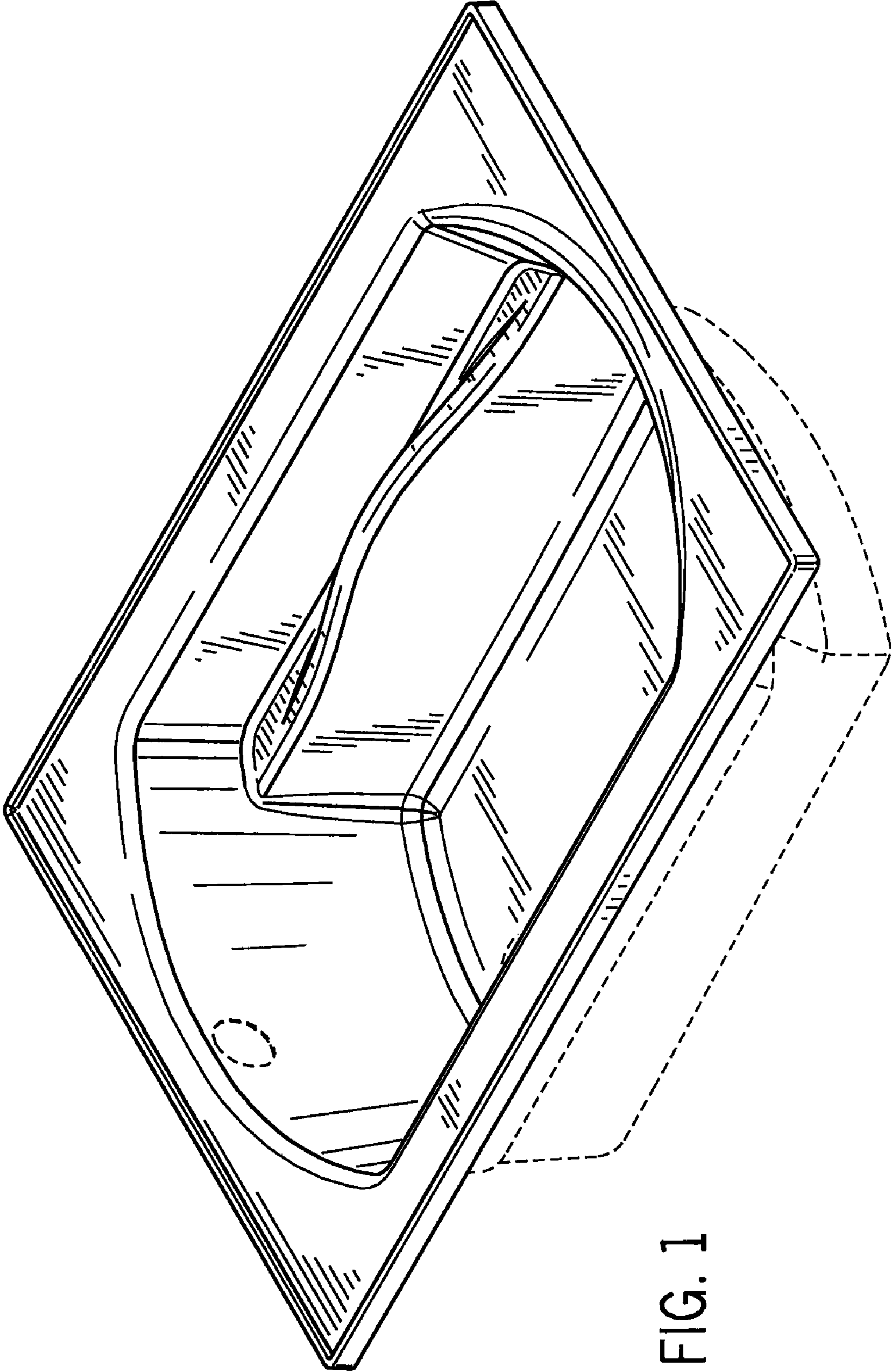


FIG. 1

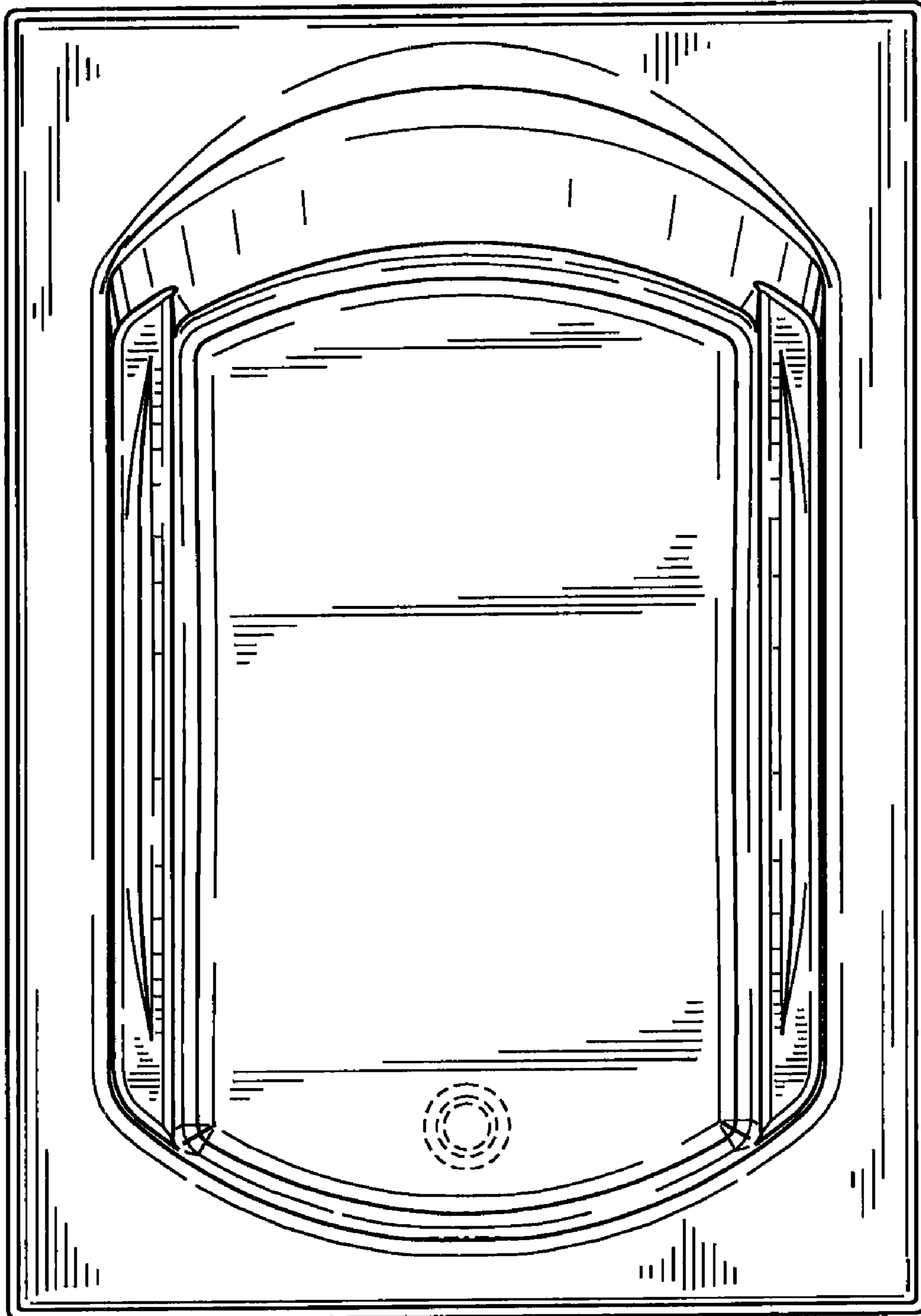


FIG. 2

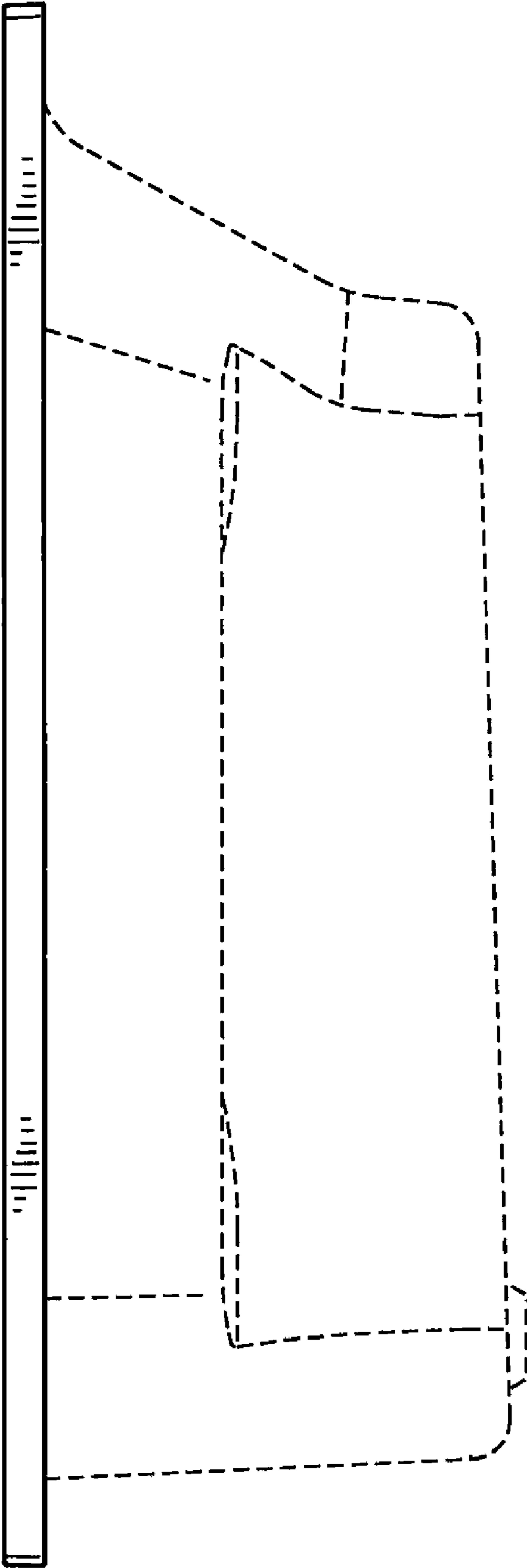


FIG. 3

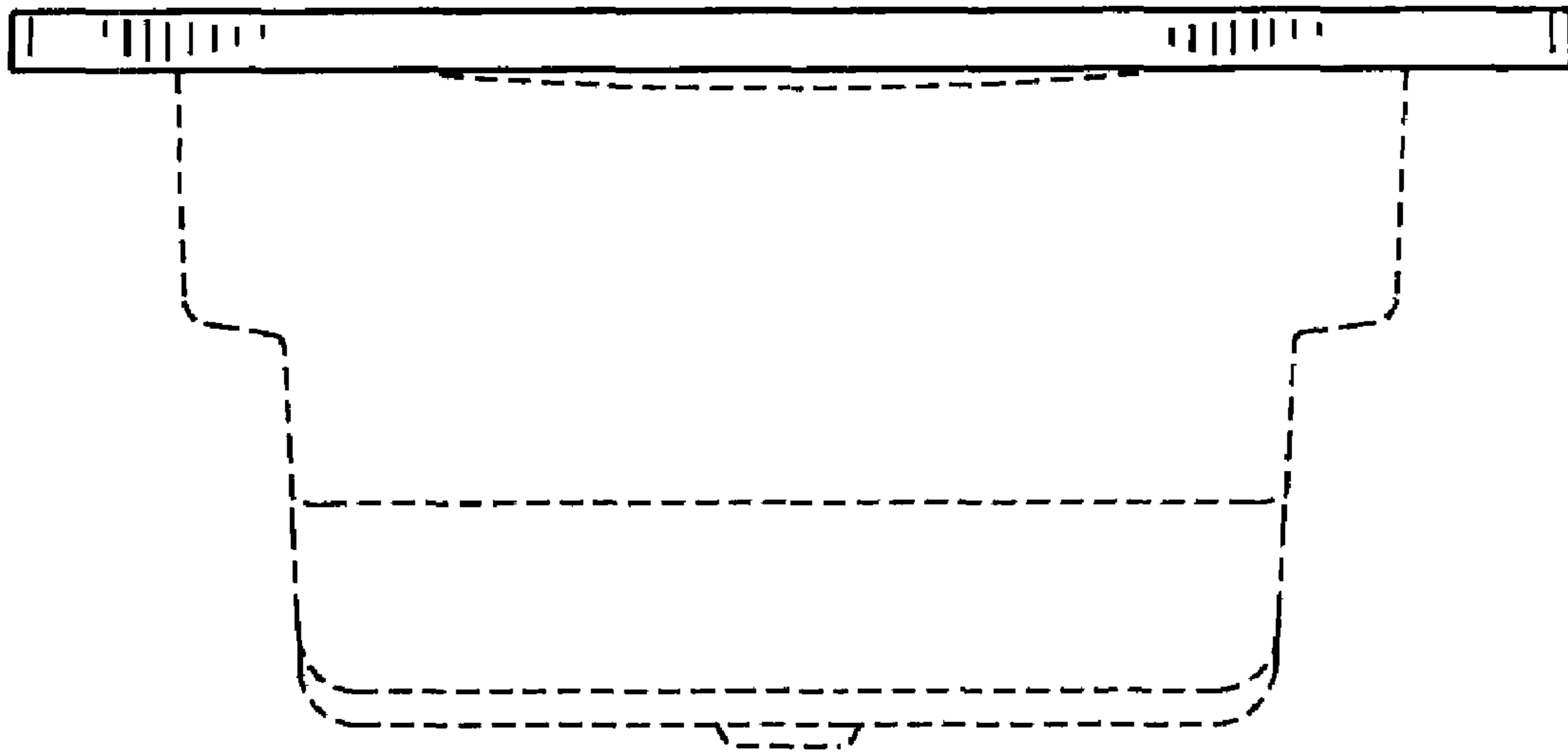


FIG. 4

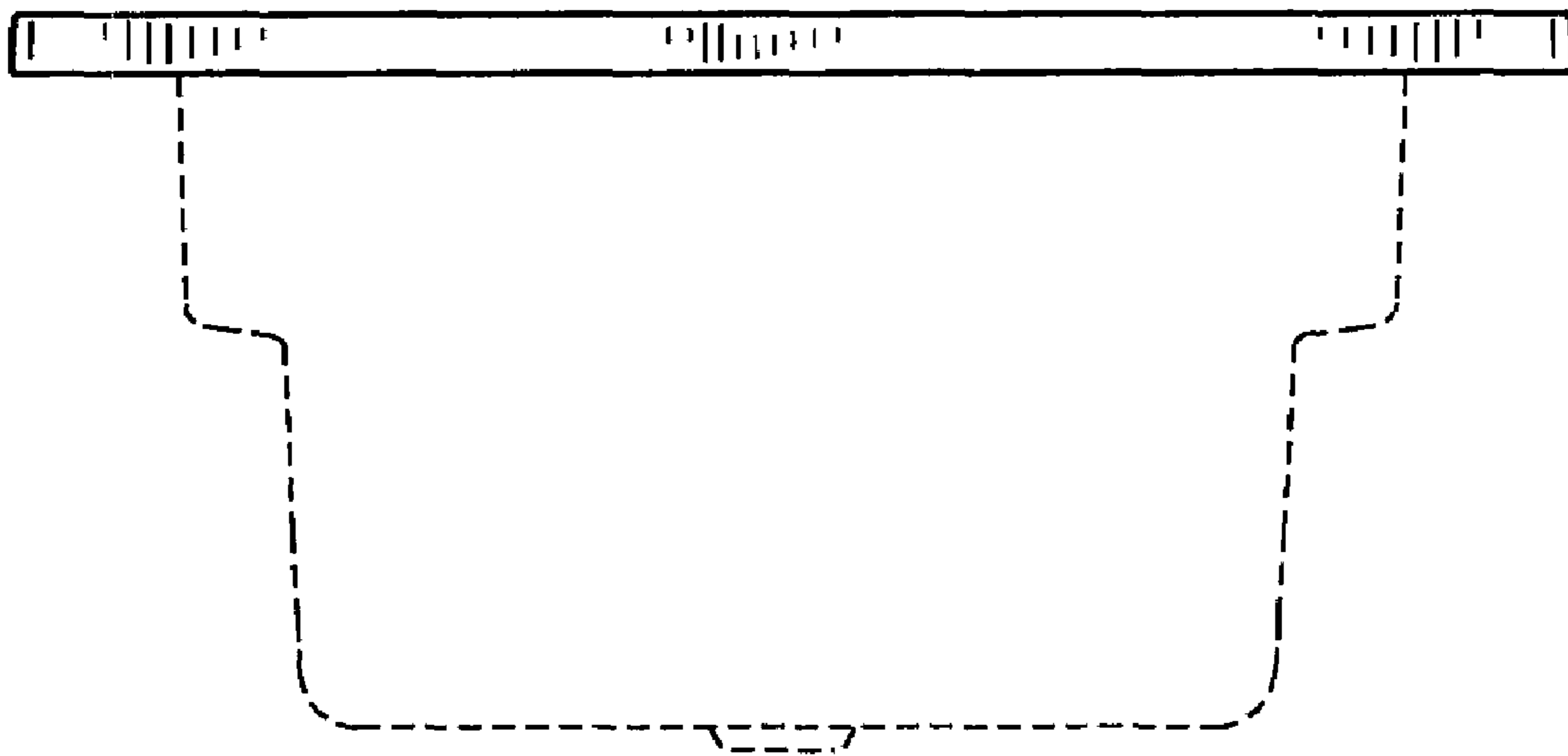


FIG. 5

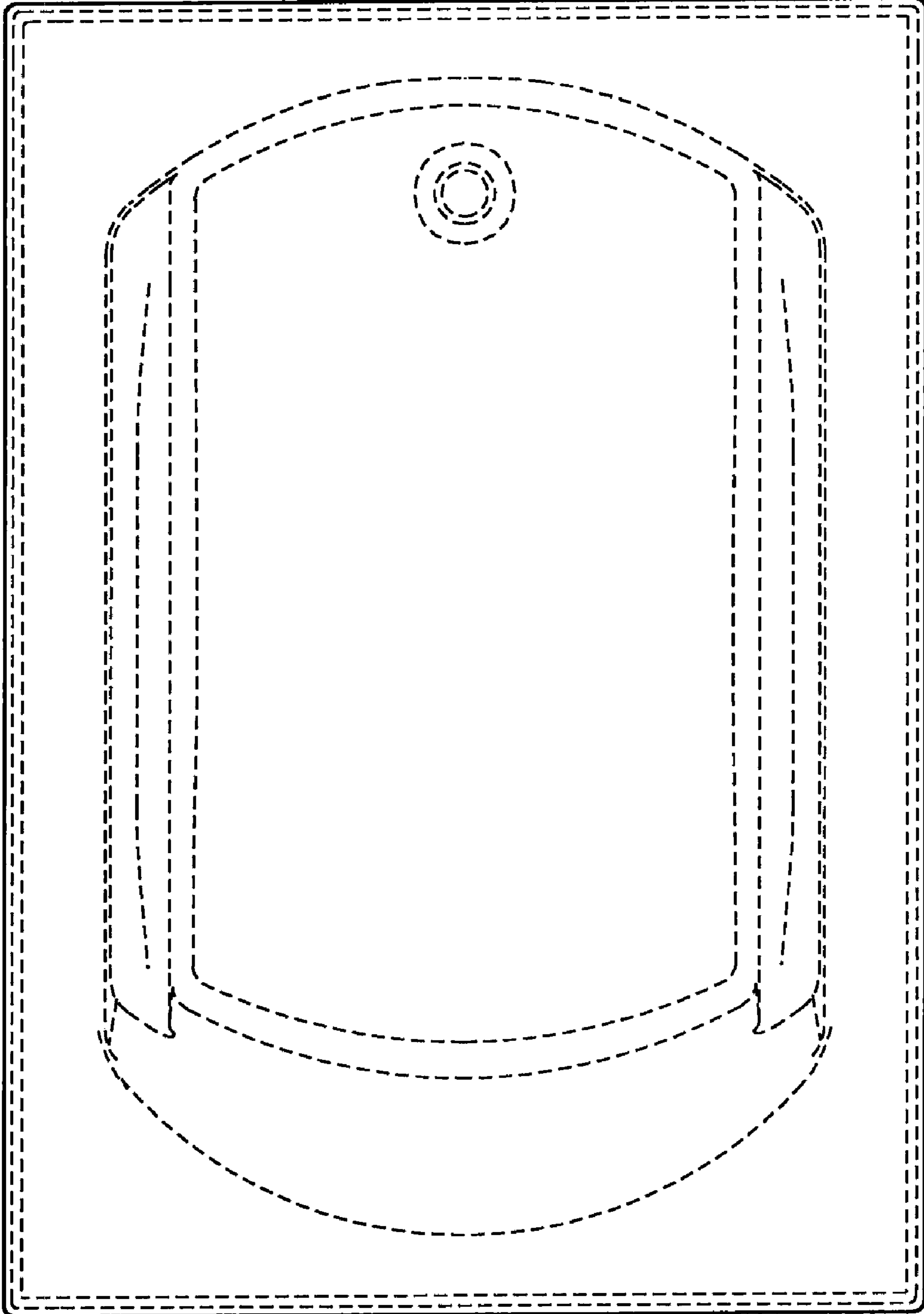


FIG. 6

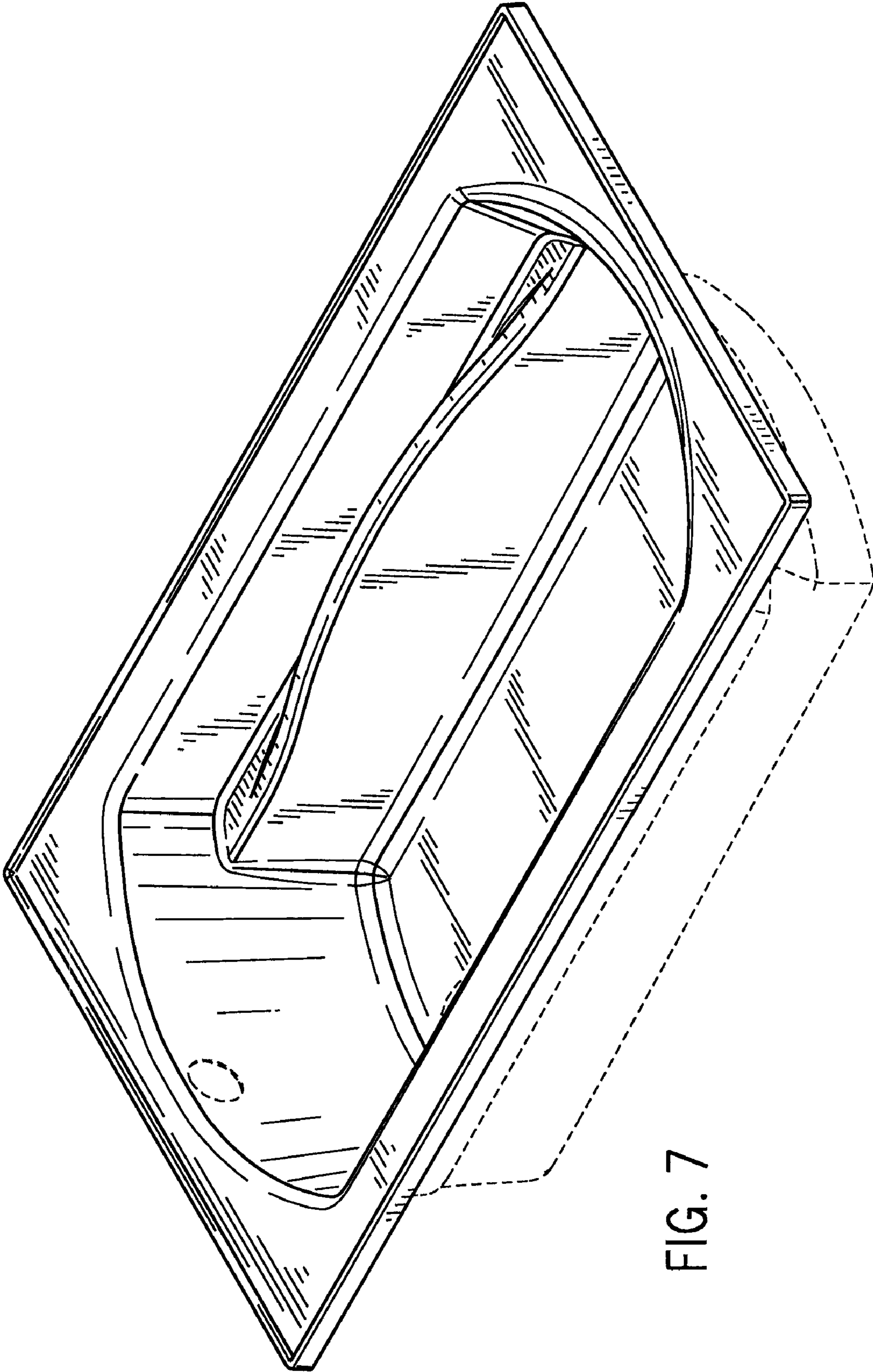


FIG. 7

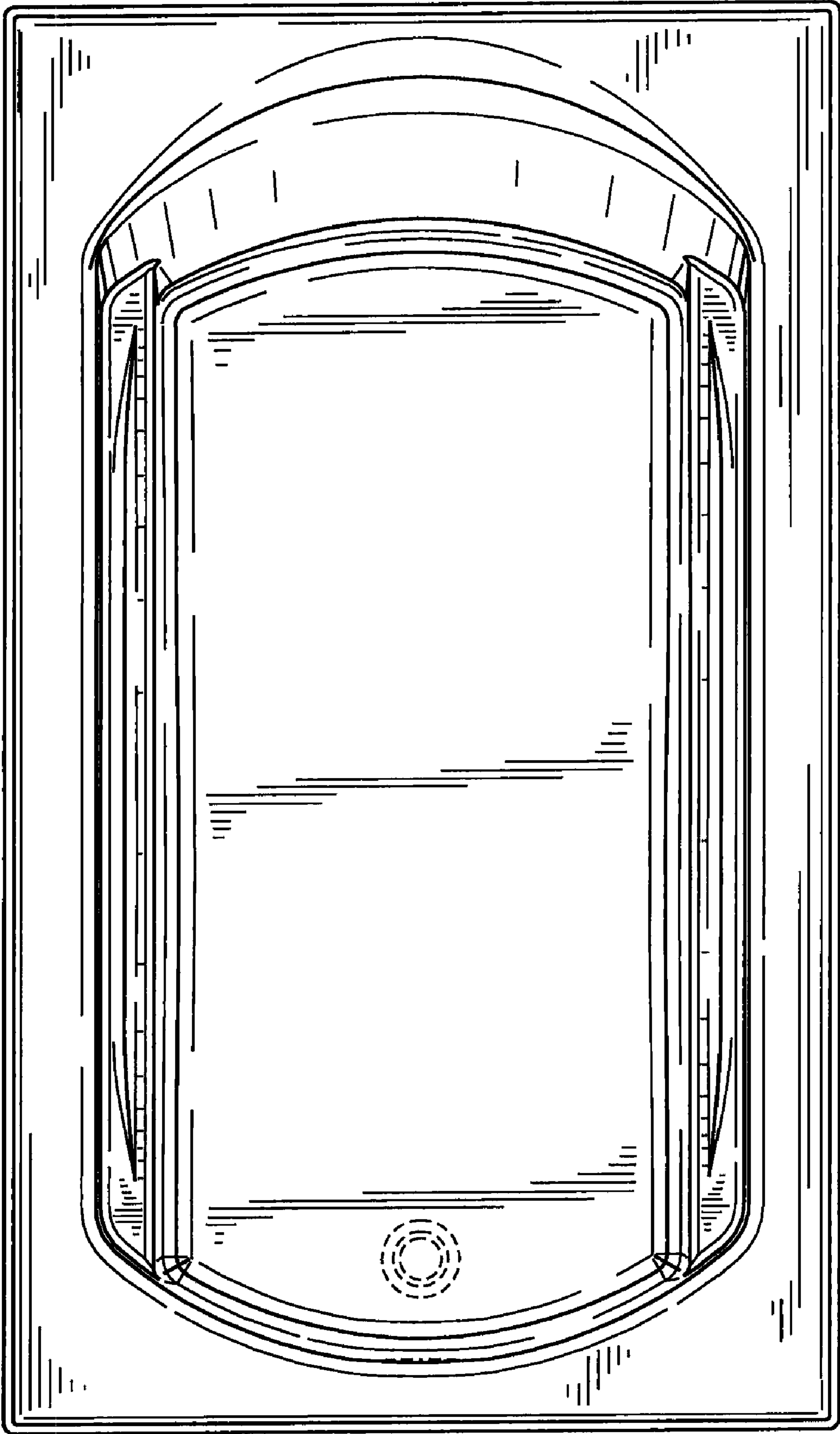


FIG. 8



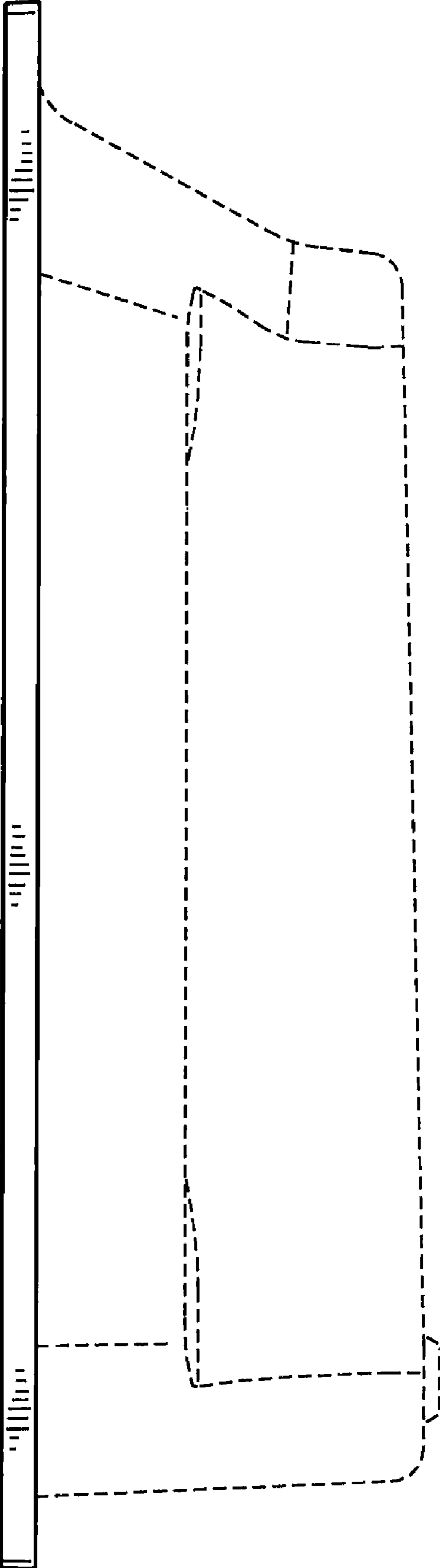


FIG. 9

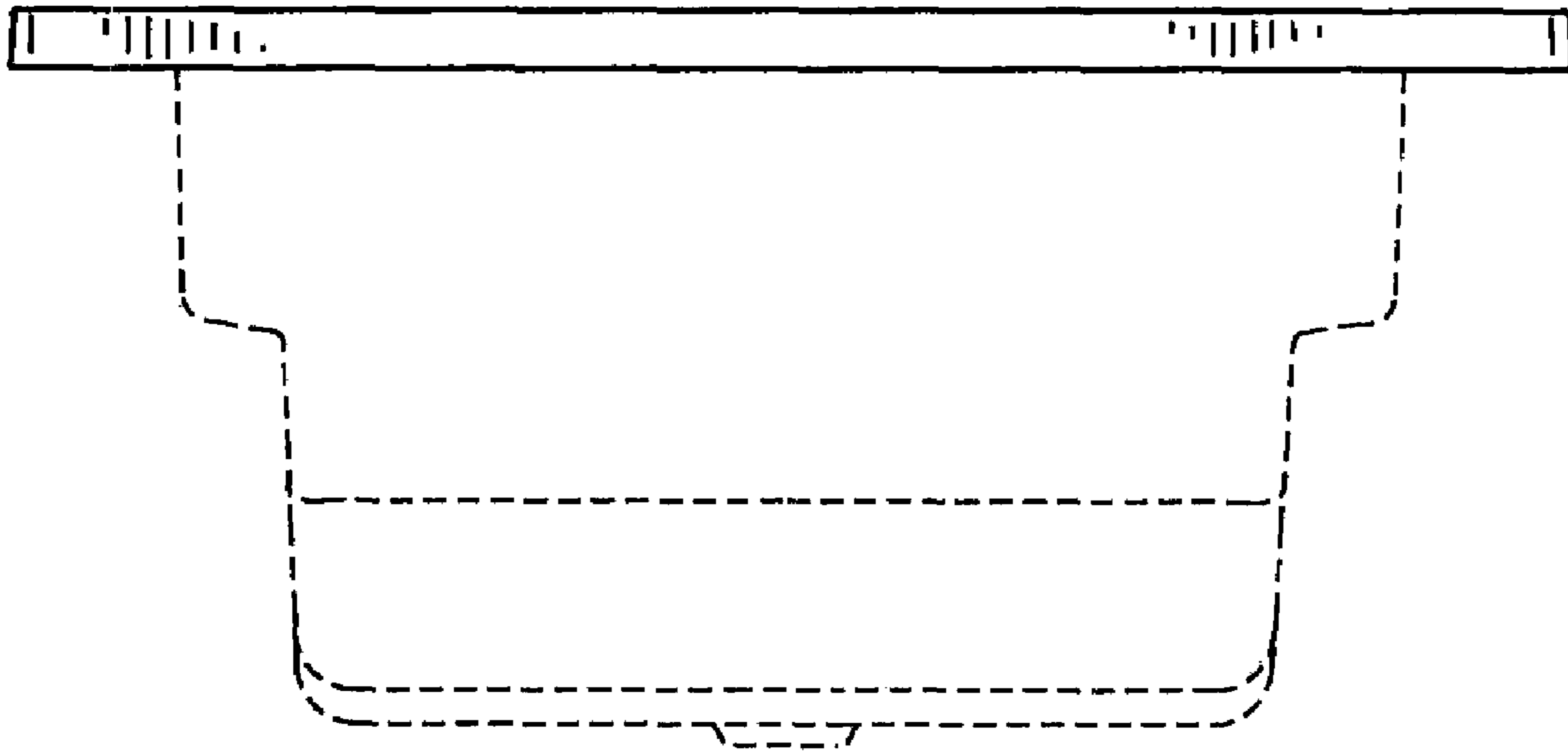


FIG. 10

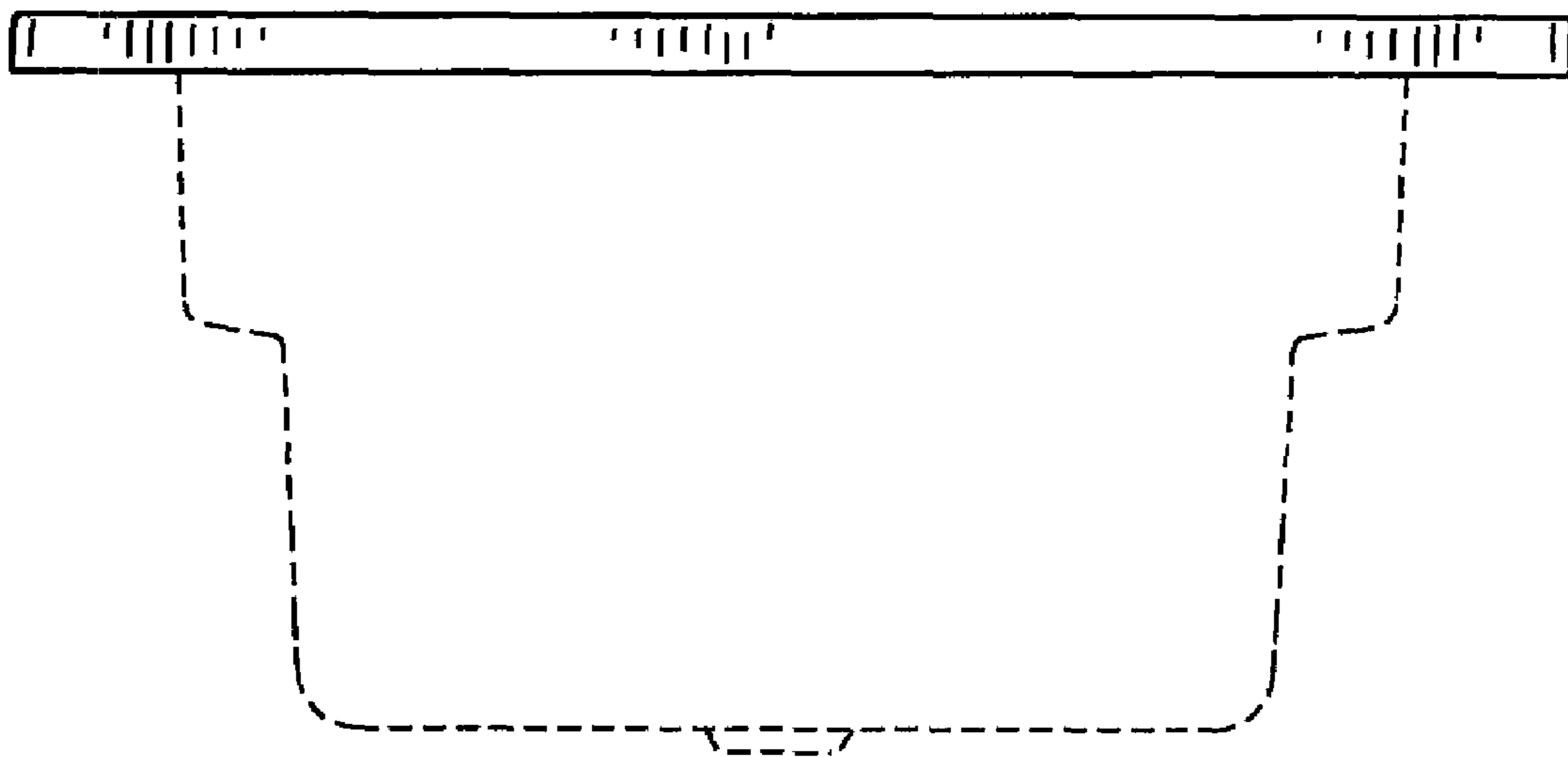


FIG. 11

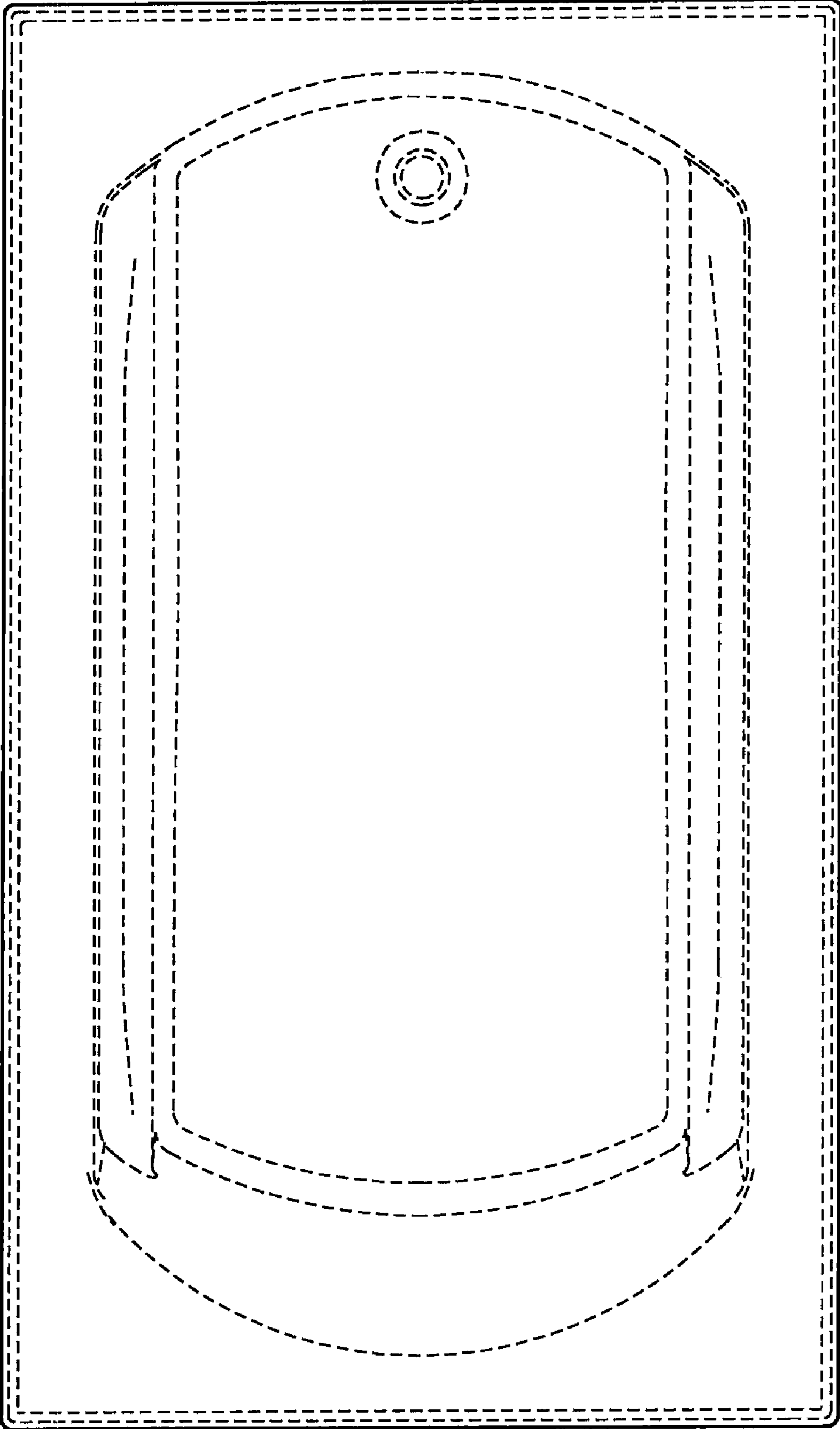


FIG. 12