



US00D617429S

(12) **United States Design Patent**  
**Govoni et al.**

(10) **Patent No.:** **US D617,429 S**  
(45) **Date of Patent:** **\*\* Jun. 8, 2010**

(54) **COUPLER FOR PLUMBING FIXTURES**

D585,724 S \* 2/2009 Wu et al. .... D8/331  
D596,920 S \* 7/2009 Cotton et al. .... D8/331

(76) Inventors: **Arthur S. Govoni**, P.O. Box 155,  
Islesboro, ME (US) 04848; **Jay**  
**Zlotkowski**, P.O. Box 48, Islesboro, ME  
(US) 04848

\* cited by examiner

*Primary Examiner*—T. Chase Nelson  
*Assistant Examiner*—Eric L Goodman  
(74) *Attorney, Agent, or Firm*—Anthony D. Pellegrini

(\*\*) Term: **14 Years**

(21) Appl. No.: **29/337,820**

(57) **CLAIM**

(22) Filed: **May 29, 2009**

The ornamental design for a coupler for plumbing fixtures, as shown and described.

(51) **LOC (9) Cl.** ..... **23-01**

(52) **U.S. Cl.** ..... **D23/262**

(58) **Field of Classification Search** ..... D23/259–269;  
4/286–287, 295; 138/89, 91; 217/110; 220/288;  
222/552, 554, 546, 563; 285/139.1, 148.18,  
285/148.23, 242, 251, 256, 331, 353, 423,  
285/921; 174/665

**DESCRIPTION**

See application file for complete search history.

FIG. 1 is a perspective bottom view of a coupler for plumbing fixtures.

FIG. 2 is a perspective side view of a coupler for plumbing fixtures.

FIG. 3 is a perspective top view of a coupler for plumbing fixtures.

(56) **References Cited**

**U.S. PATENT DOCUMENTS**

FIG. 4 is a perspective side view of a coupler for plumbing fixtures.

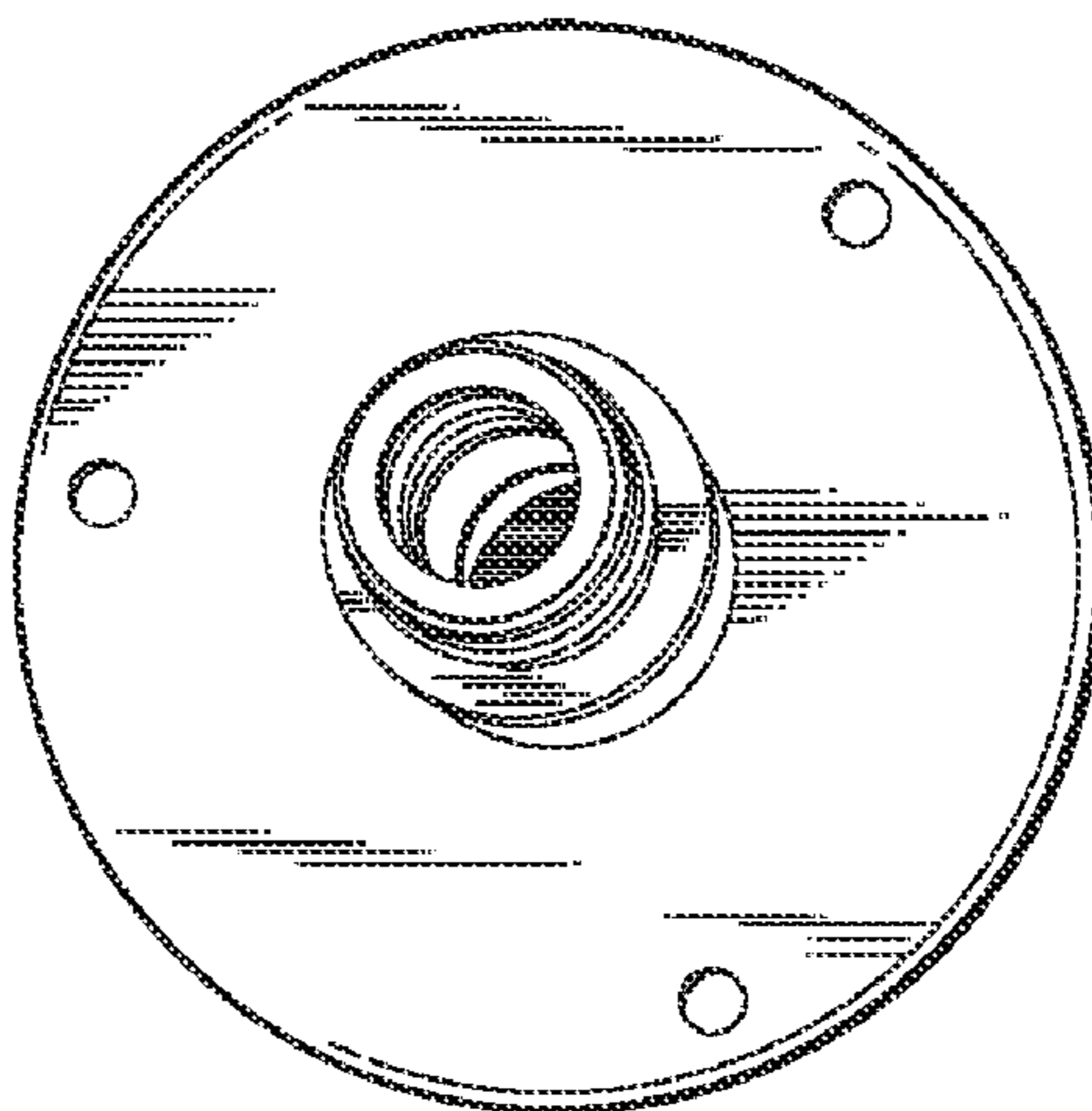
FIG. 5 is a plan top view of a coupler for plumbing fixtures; and,

FIG. 6 is a plan side view of a coupler for plumbing fixtures.

The present invention is an ornamental design for a coupler for plumbing fixtures designed to connect polyethylene tubing of said plumbing fixtures with copper tubing while presenting a flush interface with roughed-in walls or flooring, thereby making plumbing rough-in faster and easier to accomplish.

D275,316	S	*	8/1984	Hayes	.....	D23/262
D343,566	S	*	1/1994	Doxey	.....	D8/343
5,791,632	A	*	8/1998	Brenes	.....	251/329
D412,099	S	*	7/1999	Korhonen	.....	D8/331
5,980,175	A		11/1999	Zimmerman		
5,983,923	A		11/1999	Hobbs et al.		
6,070,916	A		6/2000	Rowley		
6,464,266	B1		10/2002	O'Neill et al.		
D474,098	S	*	5/2003	Weinerman et al.	.....	D8/330
6,926,377	B2	*	8/2005	Lammens et al.	.....	312/333
7,156,423	B2		1/2007	Marks		
7,338,086	B2	*	3/2008	Poder et al.	.....	285/81

**1 Claim, 6 Drawing Sheets**



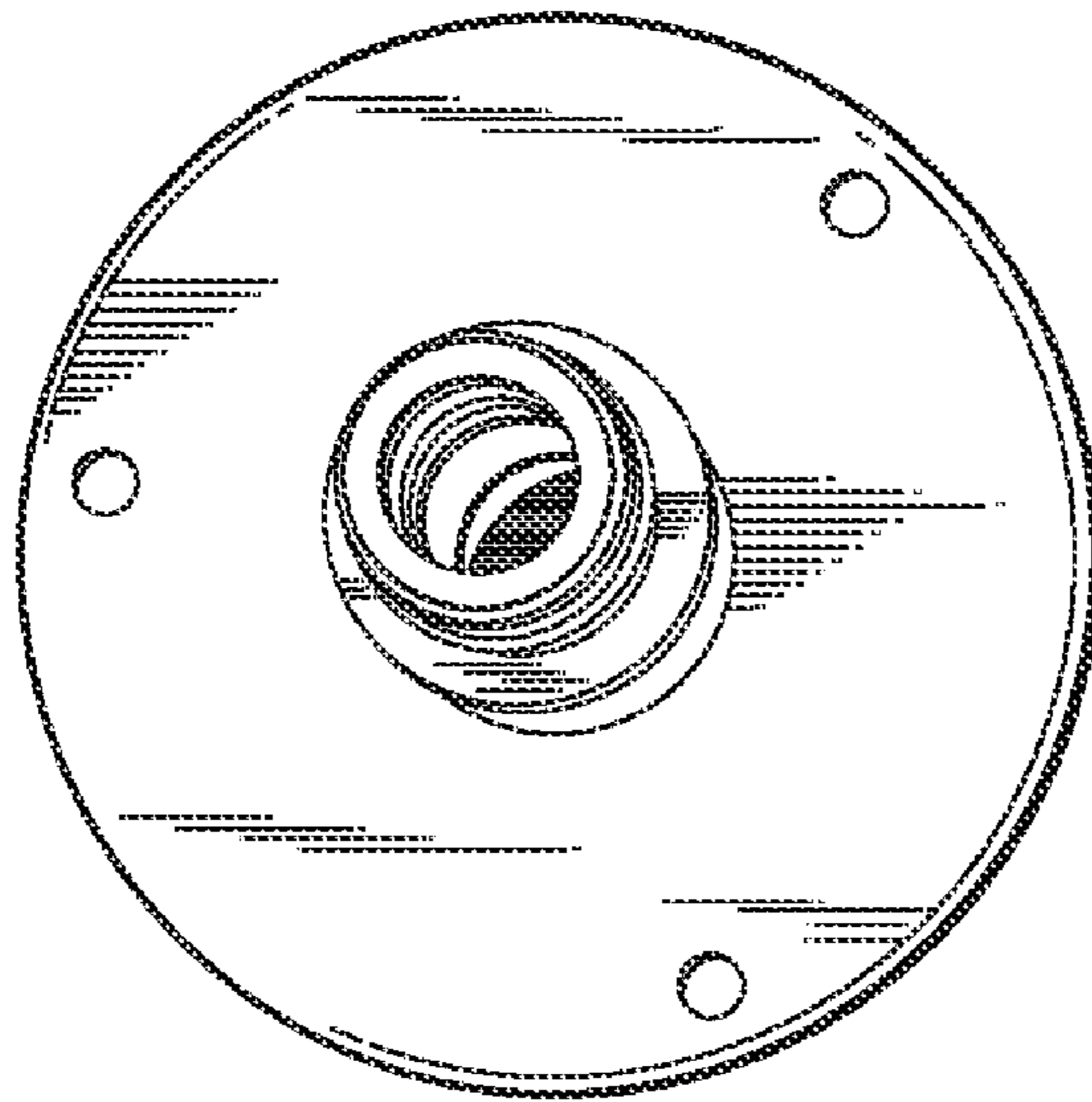


Fig. 1

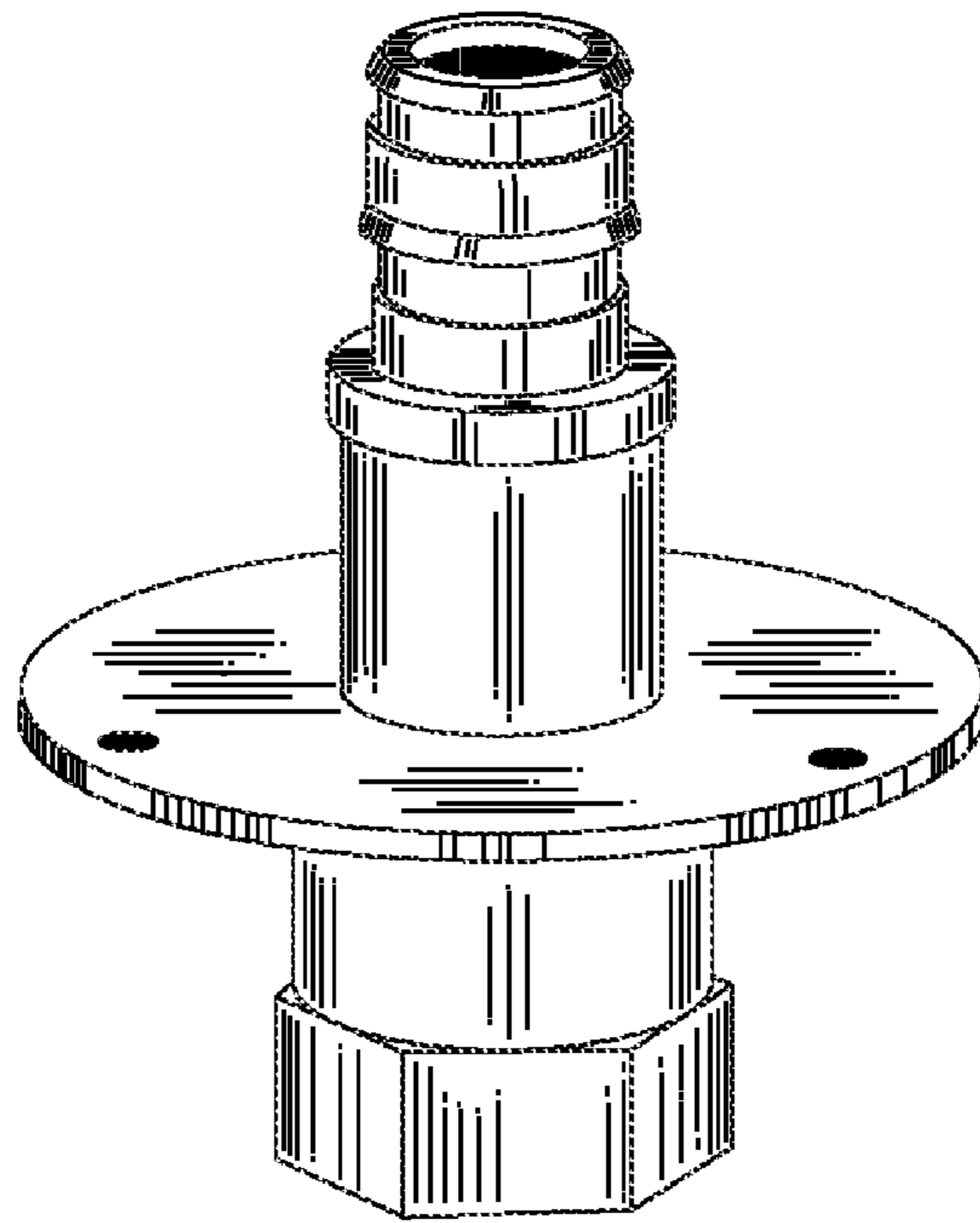


Fig. 2

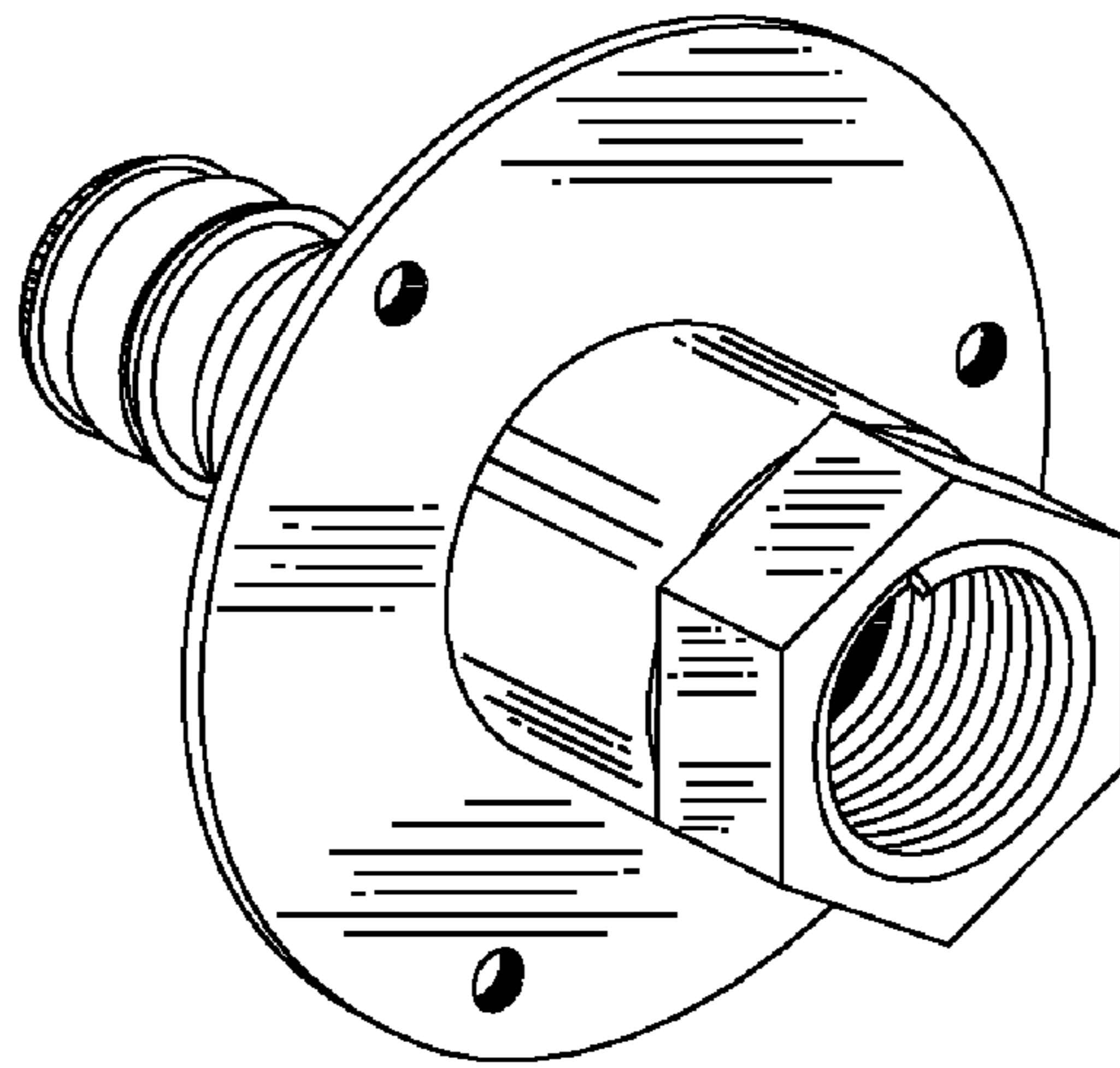


Fig. 3

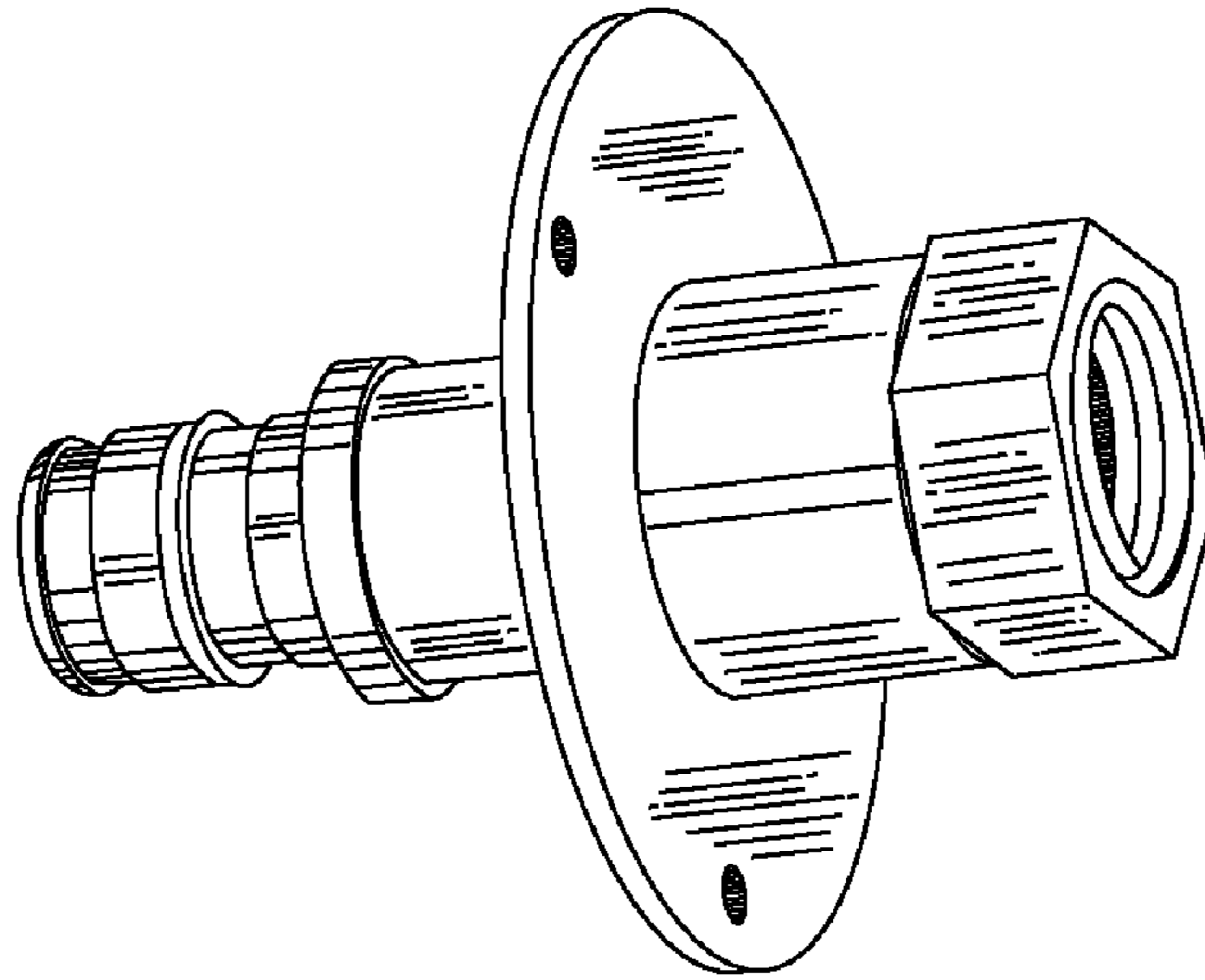


Fig. 4

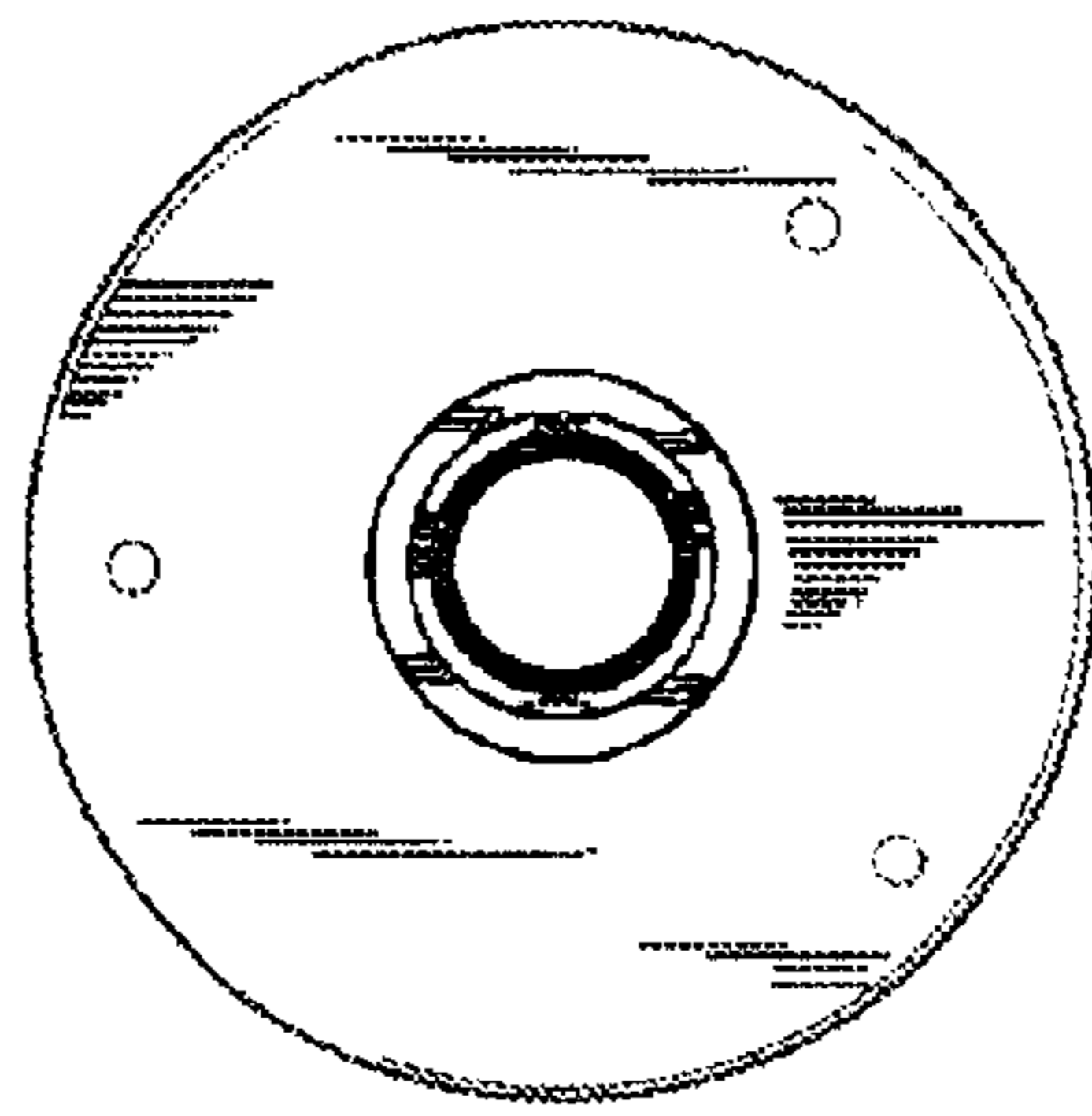


Fig. 5

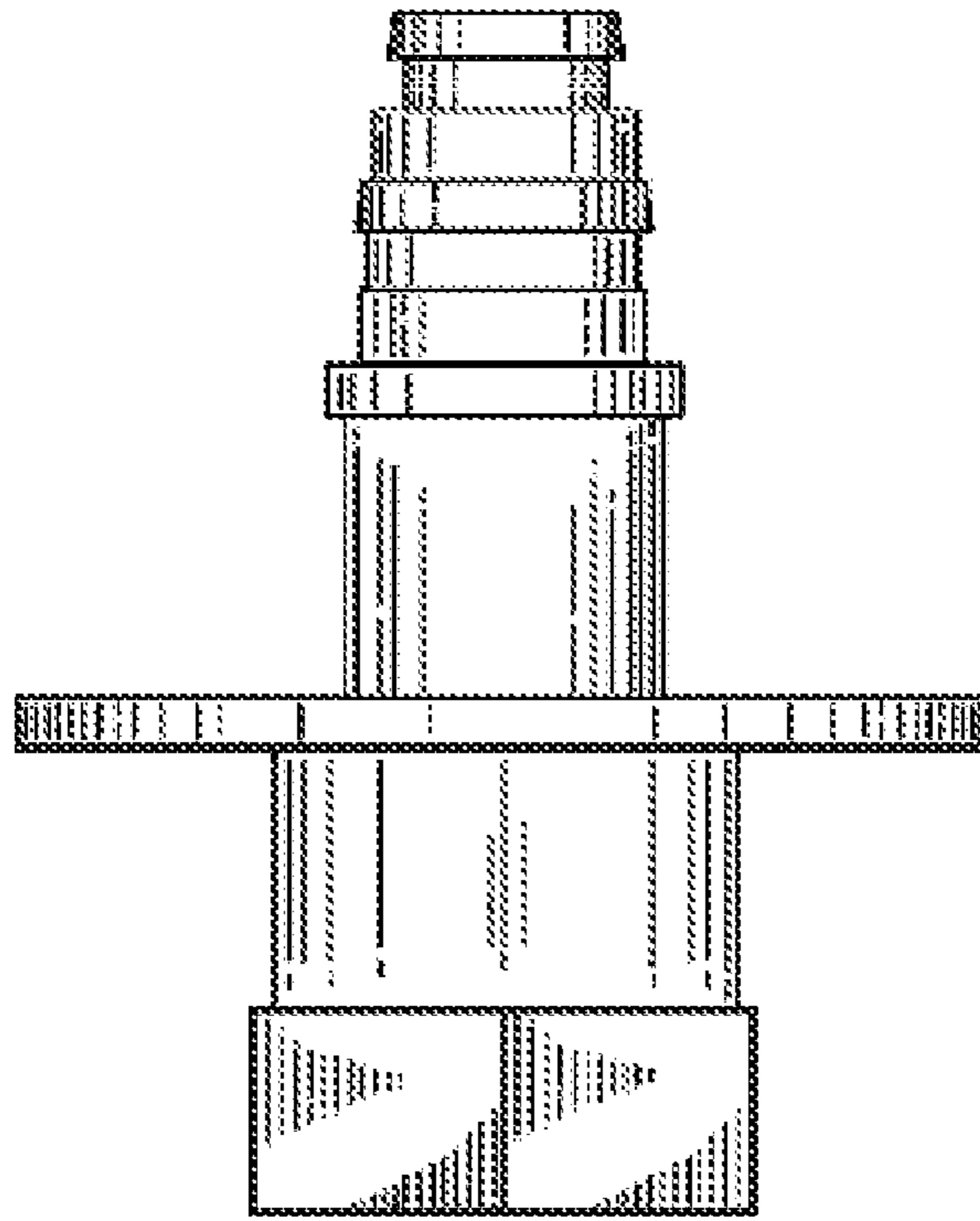


Fig. 6