



US00D617428S

(12) **United States Design Patent**
Bachmann

(10) **Patent No.:** **US D617,428 S**
(45) **Date of Patent:** **** Jun. 8, 2010**

(54) **PIPE JOINT**

(75) Inventor: **Christoph Bachmann**, Rickenbach
(CH)

(73) Assignee: **Kulm Holding AG**, Aadorf (CH)

(**) Term: **14 Years**

(21) Appl. No.: **29/321,610**

(22) Filed: **Jul. 21, 2008**

(30) **Foreign Application Priority Data**

Jan. 21, 2008 (CH) 134718

(51) **LOC (9) Cl.** **23-01**

(52) **U.S. Cl.** **D23/262**

(58) **Field of Classification Search** D23/259-269;
285/11-12, 7, 177, 394-395, 307, 358, 179-183,
285/423, 356, 303, 337, 1, 53, 404, 112,
285/367, 373, 915; 4/321, 323; 292/58-59
See application file for complete search history.

(56) **References Cited**

U.S. PATENT DOCUMENTS

2,536,552 A * 1/1951 Katz 285/341

3,989,283 A * 11/1976 Pepper 285/323
6,079,749 A * 6/2000 Albino et al. 285/23
6,112,855 A * 9/2000 Camacho et al. 184/1.5
D444,545 S * 7/2001 Nyman D23/260

* cited by examiner

Primary Examiner—T. Chase Nelson

Assistant Examiner—Eric L Goodman

(74) *Attorney, Agent, or Firm*—Bachman & LaPointe, P.C.

(57) **CLAIM**

The ornamental design for a pipe joint, as shown and described.

DESCRIPTION

FIG. 1 is a front left hand perspective view of the pipe joint of FIG. 1.

FIG. 2 is a front right hand perspective view rotated 90° with respect to FIG. 1.

FIG. 3 is a back right hand view of FIG. 1.

FIG. 4 is a right side view of FIG. 1.

FIG. 5 is a top view of FIG. 1; and,

FIG. 6 is a front view of FIG. 1.

1 Claim, 6 Drawing Sheets

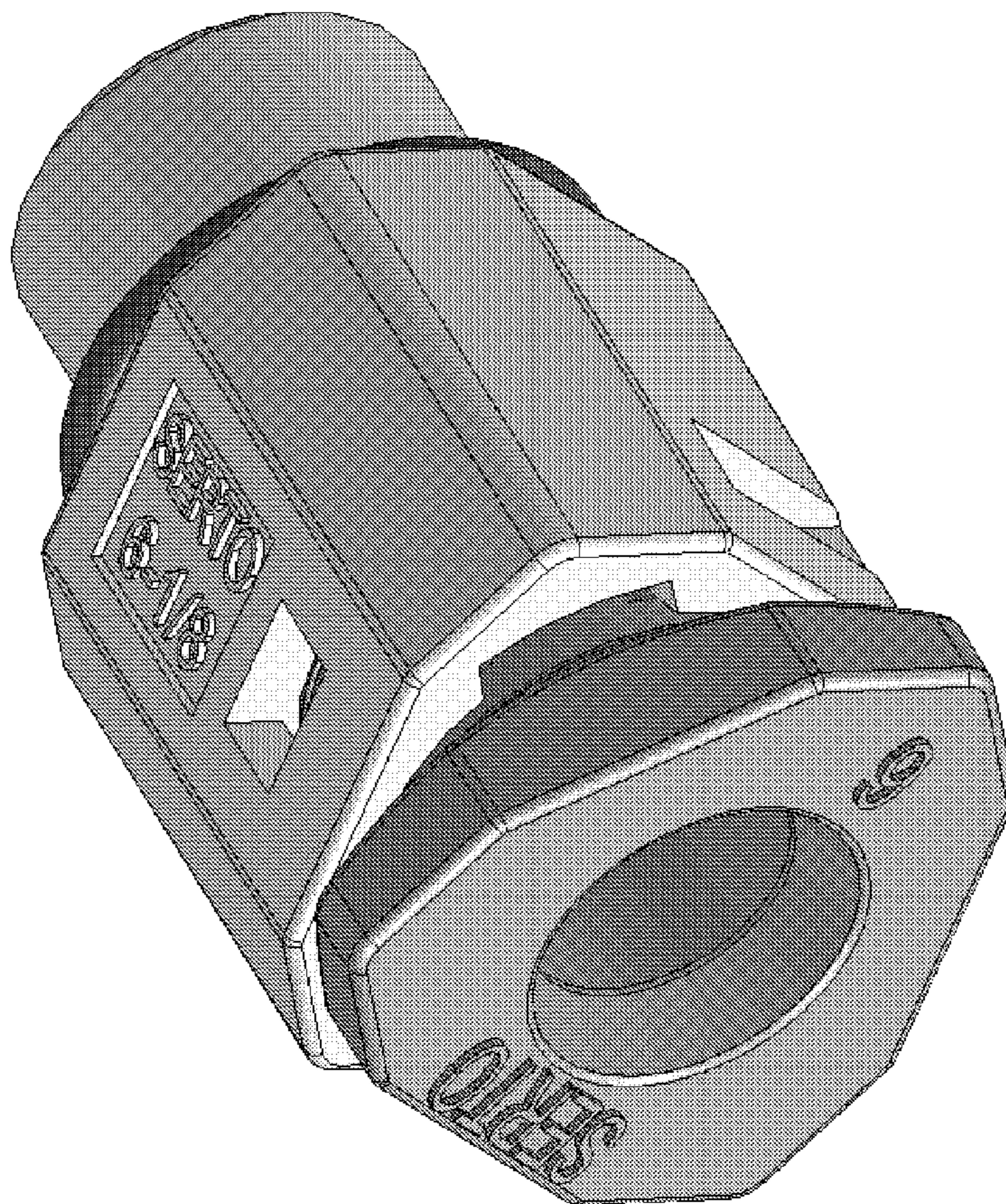


Figure 1

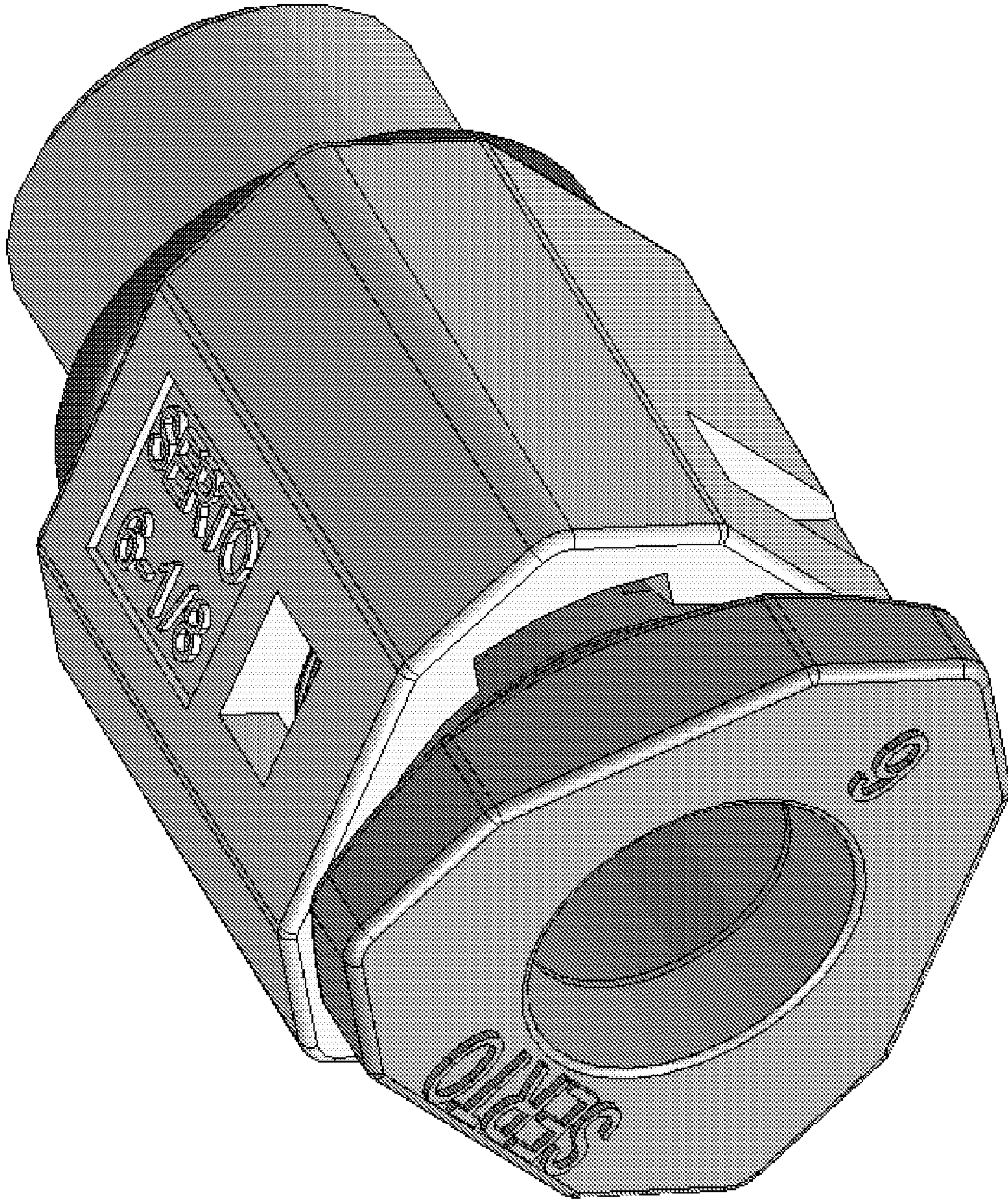


Figure 2

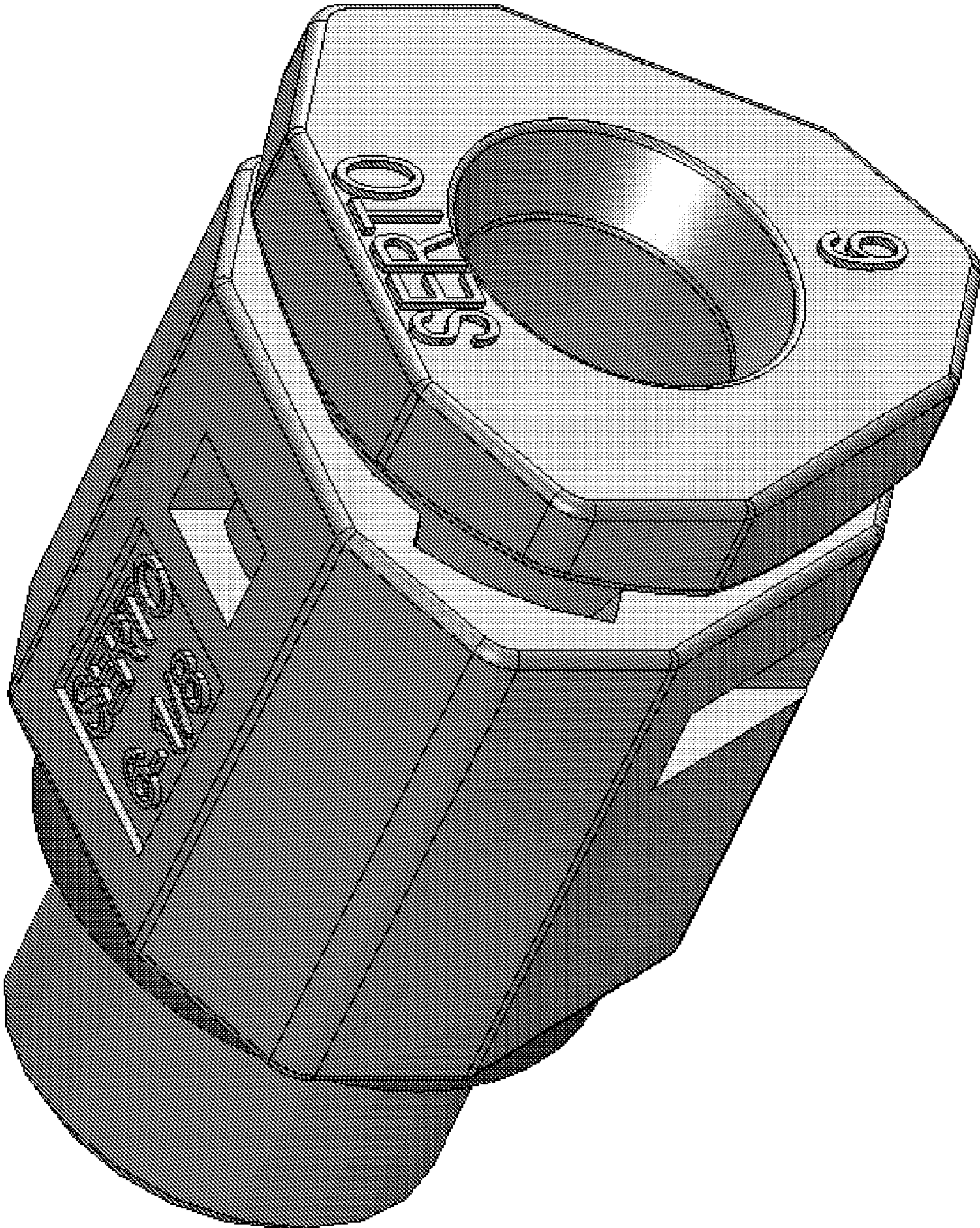


Figure 3

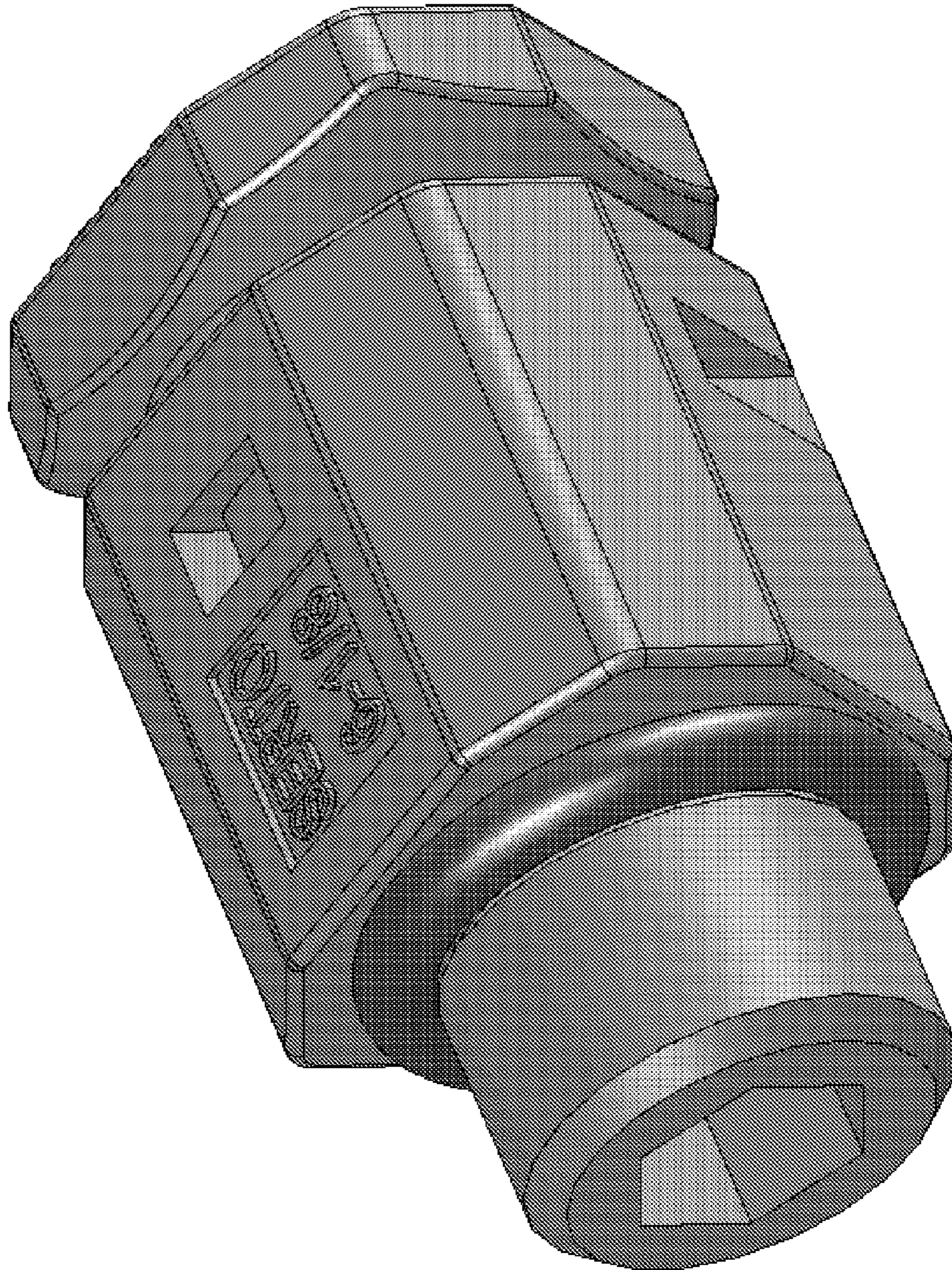


Figure 4

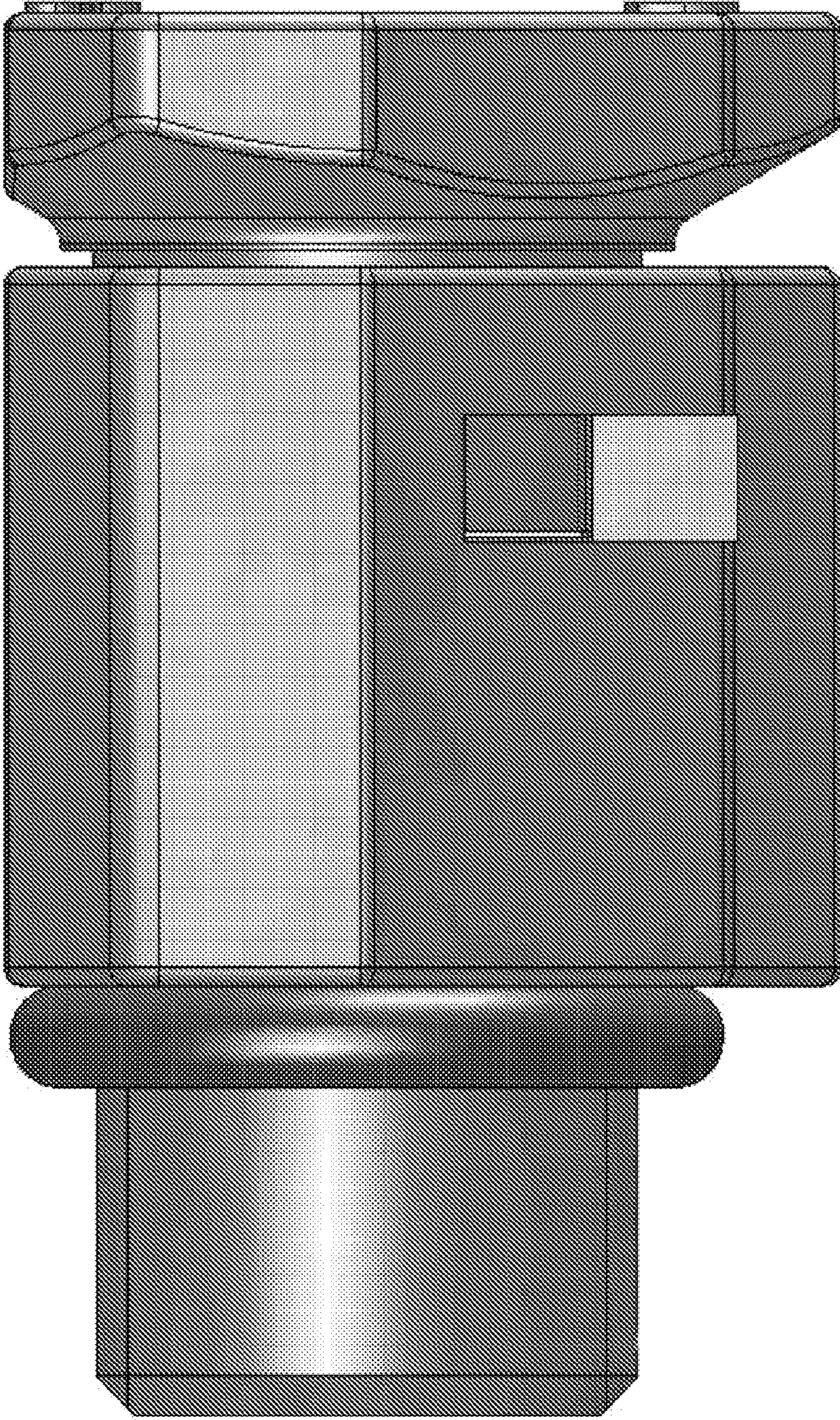


Figure 5



Figure 6

