



US00D617425S

(12) **United States Design Patent**
Lammel et al.

(10) **Patent No.:** **US D617,425 S**
(45) **Date of Patent:** **** Jun. 8, 2010**

(54) **MIXING TAP**

(57) **CLAIM**

(75) Inventors: **Michael Lammel**, Aachen (DE);
Michael Zeisel, Aachen (DE)

The ornamental design for mixing tap, as shown and described.

(73) Assignee: **Hansa Metallwerke, AG**, Stuttgart (DE)

DESCRIPTION

(**) Term: **14 Years**

This application is related to U.S. patent application Ser. Nos. 29/325,865, entitled Mixing Tap; 29/325,869, entitled Mixing Tap; 29/325,873, entitled Mixing Tap; and, 29/325,878, entitled Mixing Tap—all of which were simultaneously filed on Oct. 7, 2008.

(21) Appl. No.: **29/325,866**

(22) Filed: **Oct. 7, 2008**

(30) **Foreign Application Priority Data**

Apr. 8, 2008 (EM) 000910369-0002

FIG. 1 is a perspective view of the mixing tap showing a new ornamental design thereof;

(51) **LOC (9) Cl.** **23-01**

FIG. 2 is a front elevation view of the mixing tap shown in FIG. 1;

(52) **U.S. Cl.** **D23/255**

(58) **Field of Classification Search** D23/238,
D23/241–243, 255–257; 4/675–678; 137/801
See application file for complete search history.

FIG. 3 is a left side elevation view of the mixing tap shown in FIG. 1;

(56) **References Cited**

U.S. PATENT DOCUMENTS

D316,895 S * 5/1991 Hill et al. D23/255
D331,795 S * 12/1992 Hill et al. D23/238
D372,303 S * 7/1996 Lobermeier D23/304

FIG. 4 is a right side elevation view of the mixing tap shown in FIG. 1;

FIG. 5 is a top plan view of the mixing tap shown in FIG. 1; and,

* cited by examiner

FIG. 6 is a bottom plan view of the mixing tap shown in FIG. 1.

The broken lines are included for the purpose of illustrating portions of the mixing tap that forms no part of the claimed design.

Primary Examiner—Robert A Delehanty
(74) *Attorney, Agent, or Firm*—Factor & Lake, Ltd.

1 Claim, 1 Drawing Sheet

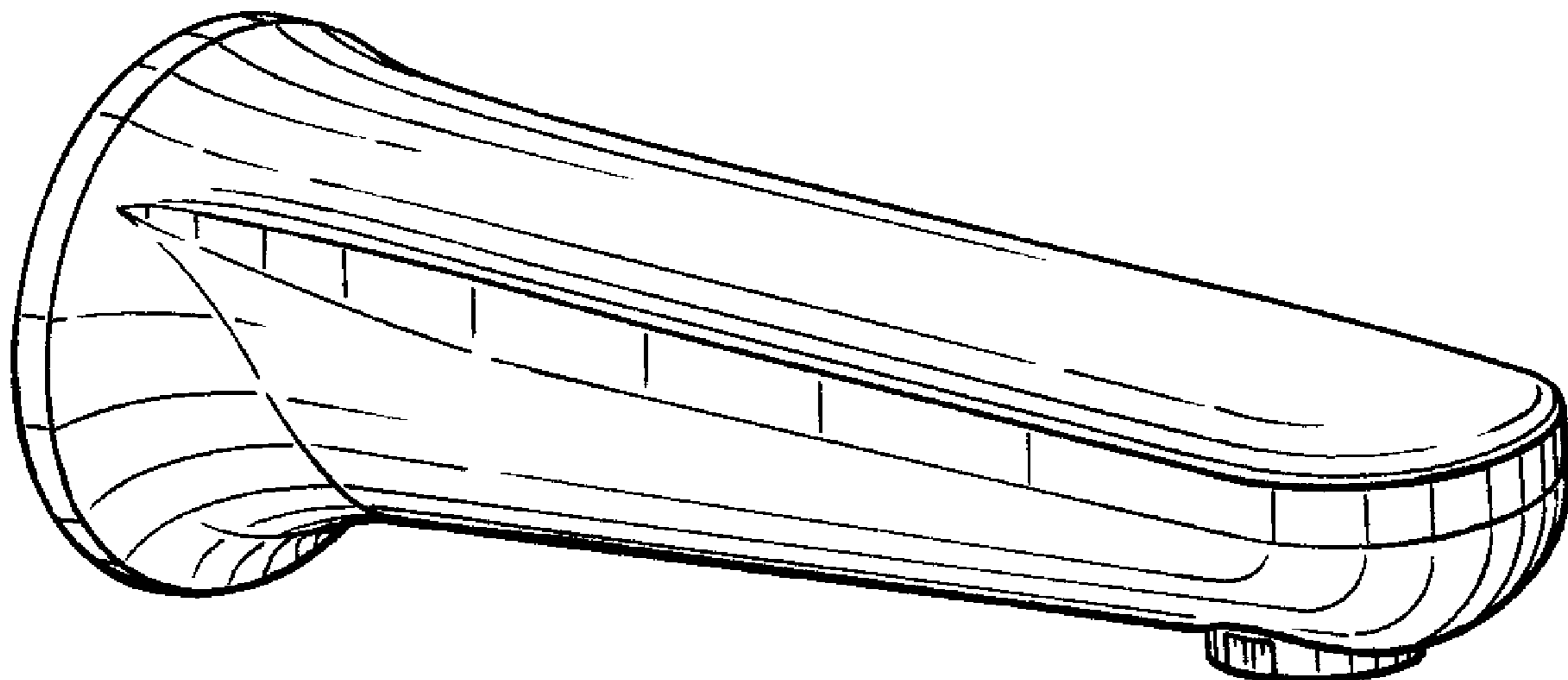


FIG. 2

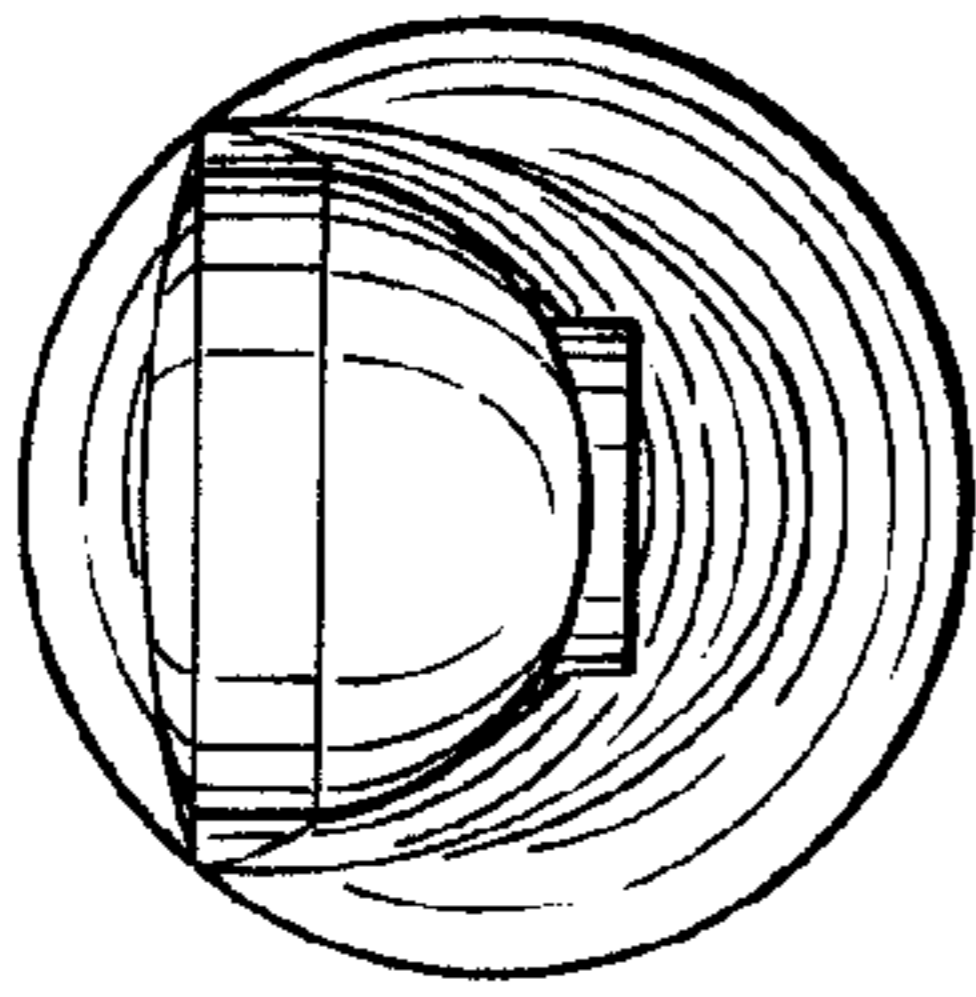


FIG. 1

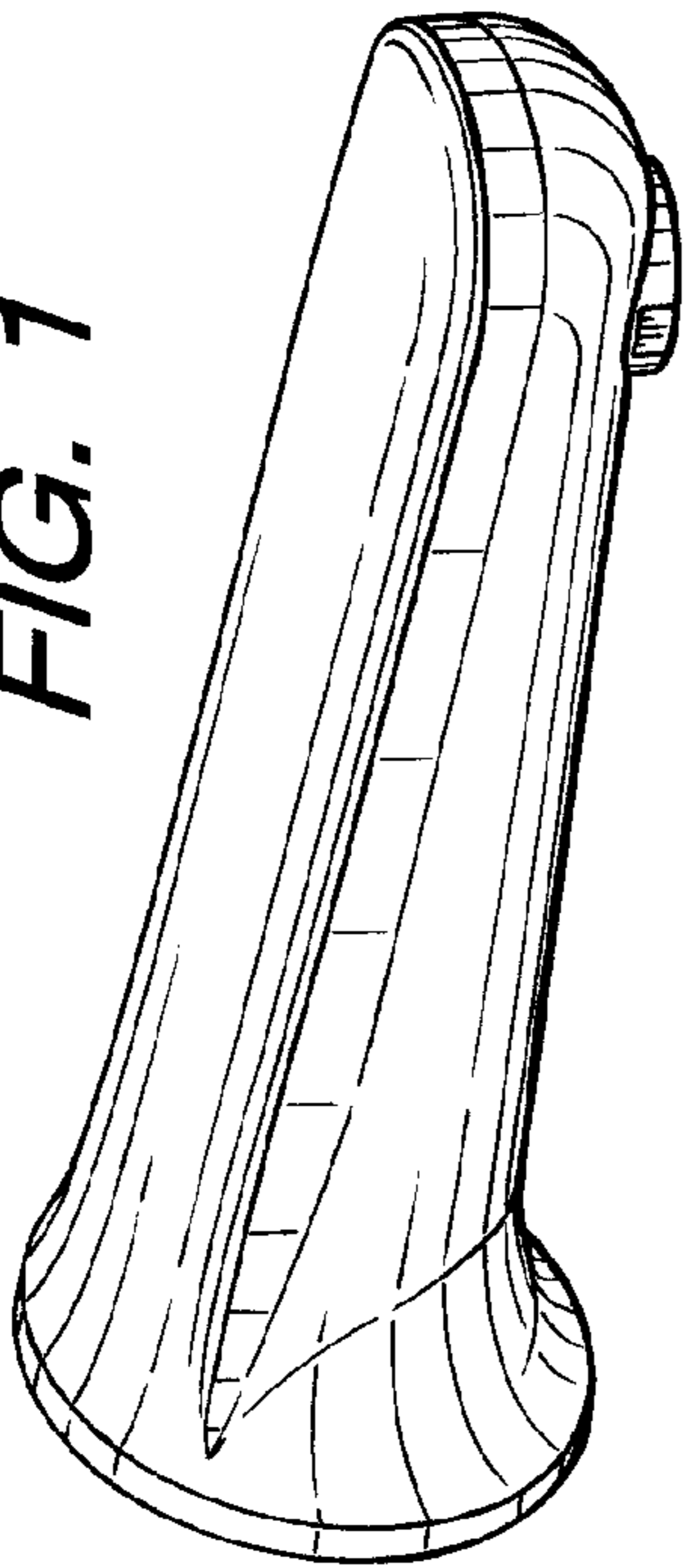


FIG. 3

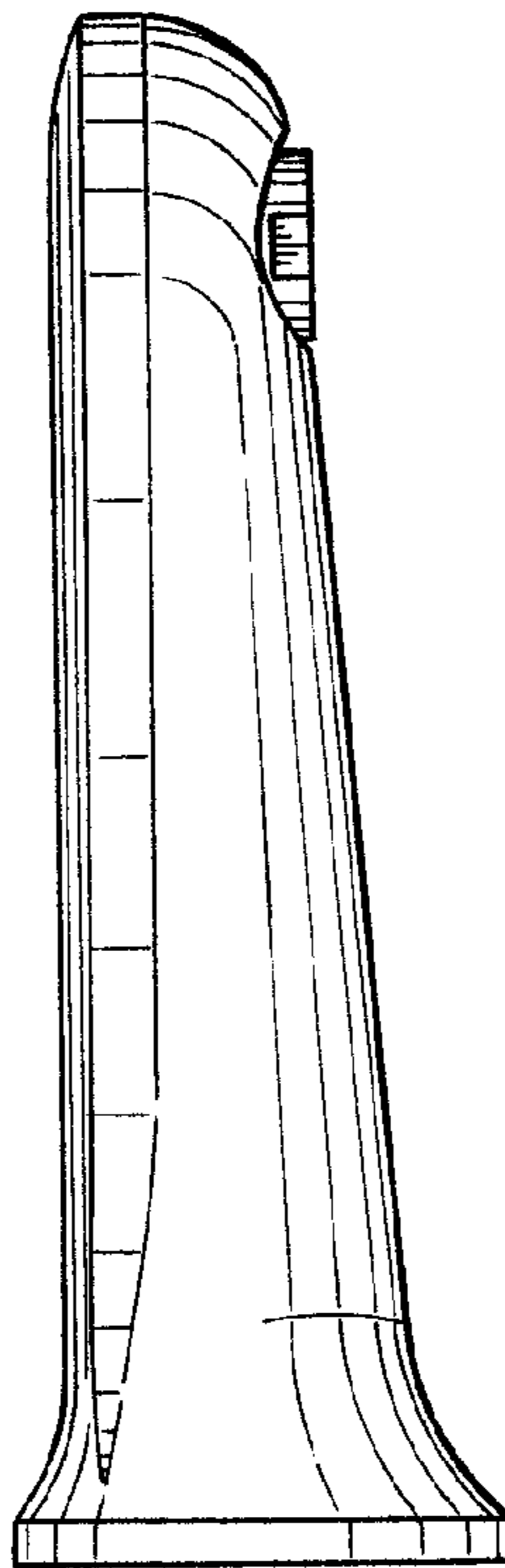


FIG. 4

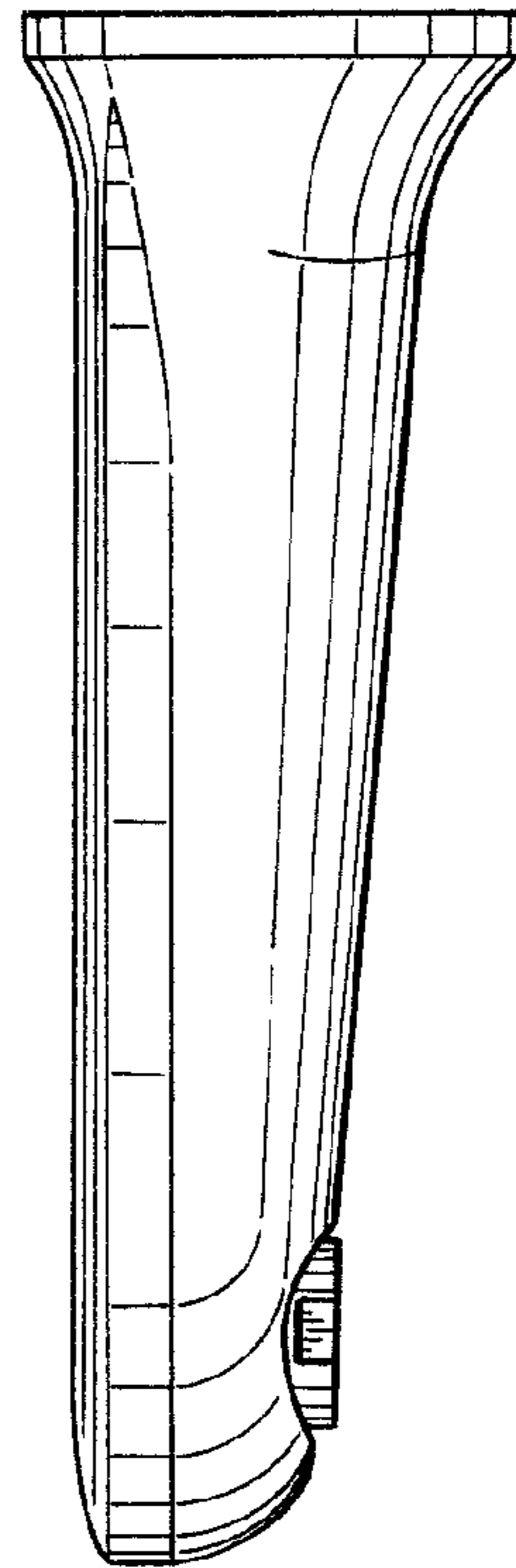


FIG. 6

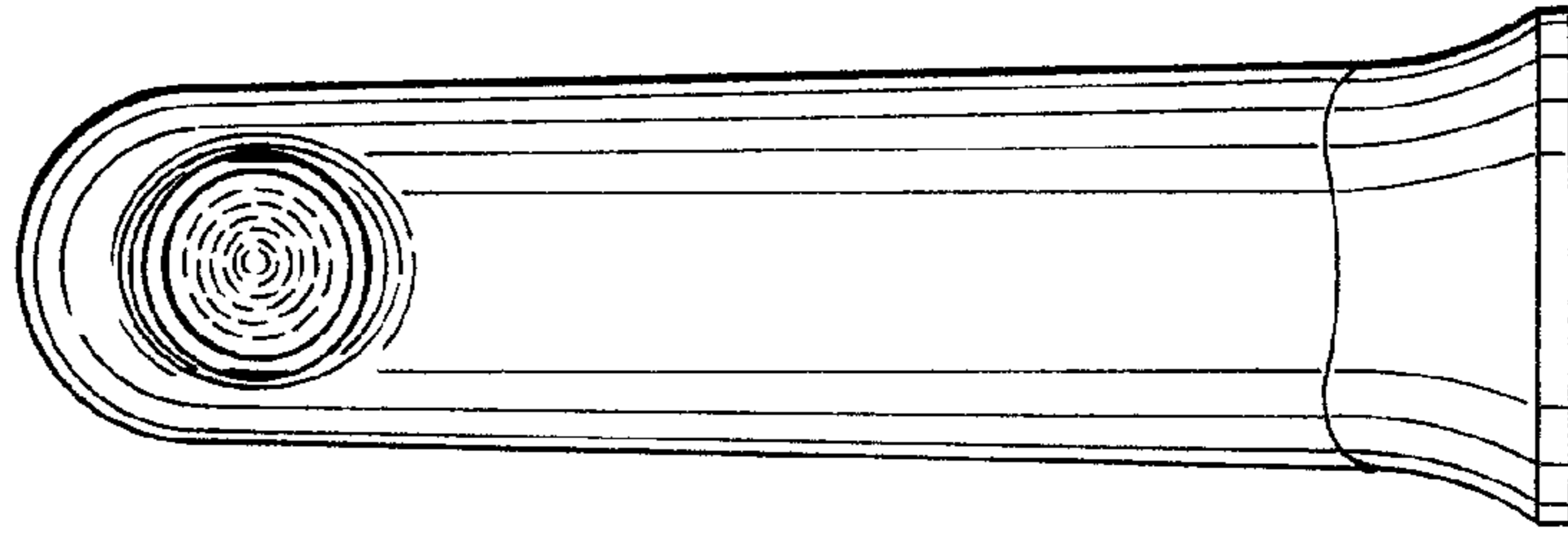


FIG. 5

