



US00D617424S

(12) **United States Design Patent**
Hanna

(10) **Patent No.:** **US D617,424 S**
(45) **Date of Patent:** **** Jun. 8, 2010**

(54) **PLUMBING FITTING**

(75) Inventor: **Ken S. Hanna**, Adell, WI (US)

(73) Assignee: **Kohler Co.**, Kohler, WI (US)

(**) Term: **14 Years**

(21) Appl. No.: **29/343,608**

(22) Filed: **Sep. 16, 2009**

(51) **LOC (9) Cl.** **23-01**

(52) **U.S. Cl.** **D23/252**

(58) **Field of Classification Search** D23/238-243,
D23/250, 252-254; 4/676-678; 137/801,
137/359; 16/110.1; D8/350-353; D6/550

See application file for complete search history.

(56) **References Cited**

U.S. PATENT DOCUMENTS

D290,869 S	7/1987	Paul	
D316,591 S	4/1991	Ragonot	
D512,484 S	12/2005	Paini	
D568,967 S *	5/2008	Williams et al. D23/250
D573,231 S *	7/2008	Kulig D23/242
D579,521 S *	10/2008	Kulig D23/238
D596,711 S *	7/2009	Sieger D23/238

OTHER PUBLICATIONS

Hasting Bath Collection. "Riviera 3 Hole Basin Set—Ribbon Spout". Model No. FAN C 4202. HomePortfolio.com online catalog. Copyright 1997-2008 HomePortfolio Inc.

SignatureHardware. "Whittington Collection—Flat Cubic Roman Tub Faucet". SignatureHardware.com online catalog. Copyright 1989-2008 SignatureHardware.com or its affiliates.

Oversized joystick.

WS Bath Collections. "Hydrus 01-02—Basin (deck) Faucet—solid massive stainless steel". HomePortfolio.com online catalog. Copyright 1997-2008 HomePortfolio Inc.

Denze. "Sinus Two Handle Lavatory Faucet". Model No. 0301444. HomePortfolio.com online catalog. Copyright 1997-2008 HomePortfolio Inc.

* cited by examiner

Primary Examiner—Robert A Delehanty

(74) *Attorney, Agent, or Firm*—Quarles & Brady LLP

(57) **CLAIM**

The ornamental design for a plumbing fitting, as shown and described.

DESCRIPTION

FIG. 1 is a right, top, front perspective view of a plumbing fitting according to my new design;

FIG. 2 is a right side elevational view thereof, the left side elevational view thereof being a mirror image of the right side shown;

FIG. 3 is a front elevational view thereof;

FIG. 4 is a rear elevational view thereof;

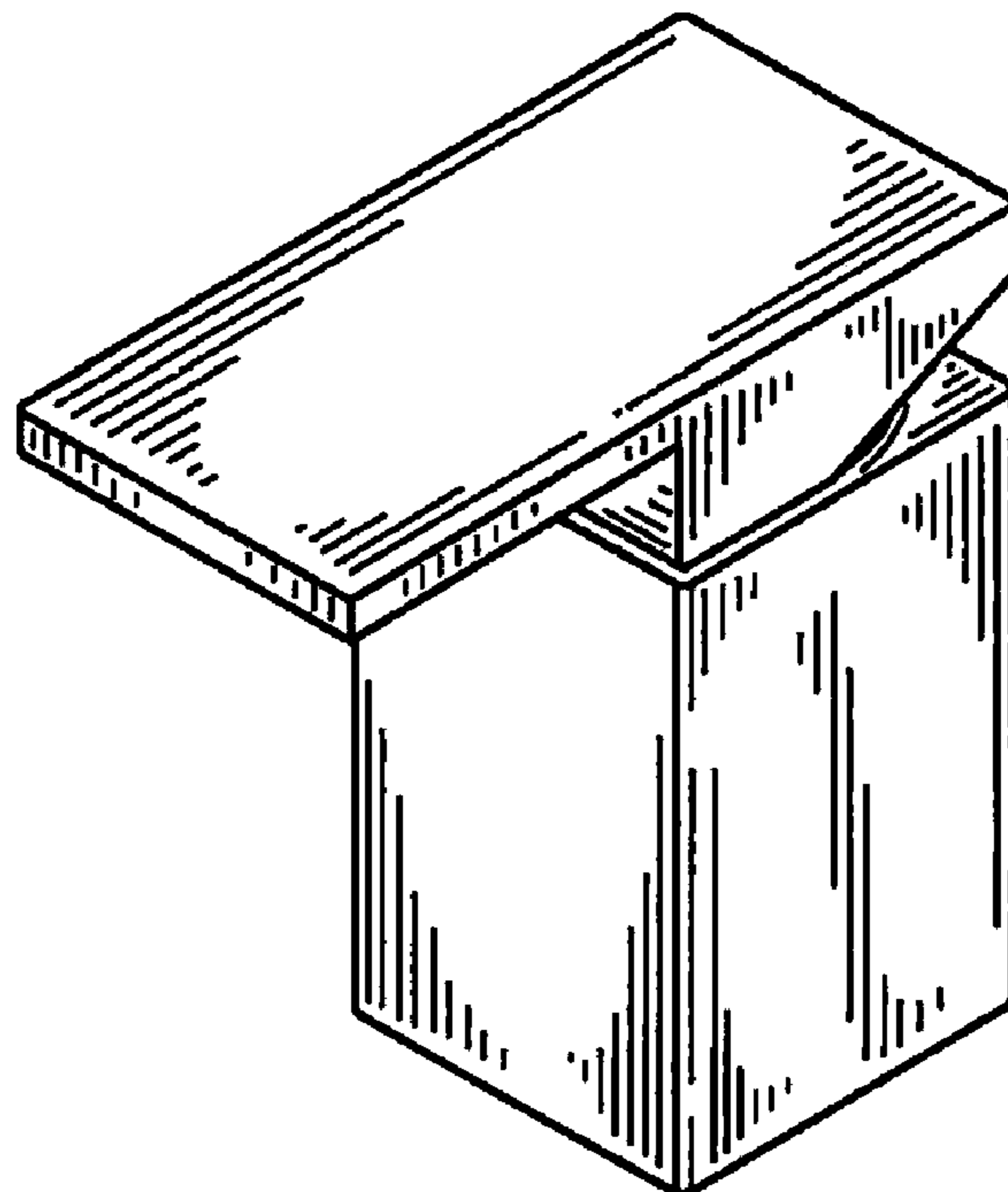
FIG. 5 is a top plan view thereof; and,

FIG. 6 is a bottom plan view thereof.

The broken line representations in the figures are for the purpose of illustration only, and form no part of the claimed design.

In a preferred embodiment, the nature of this product is a plumbing fitting, such as a faucet control for a shower and/or bath.

1 Claim, 2 Drawing Sheets



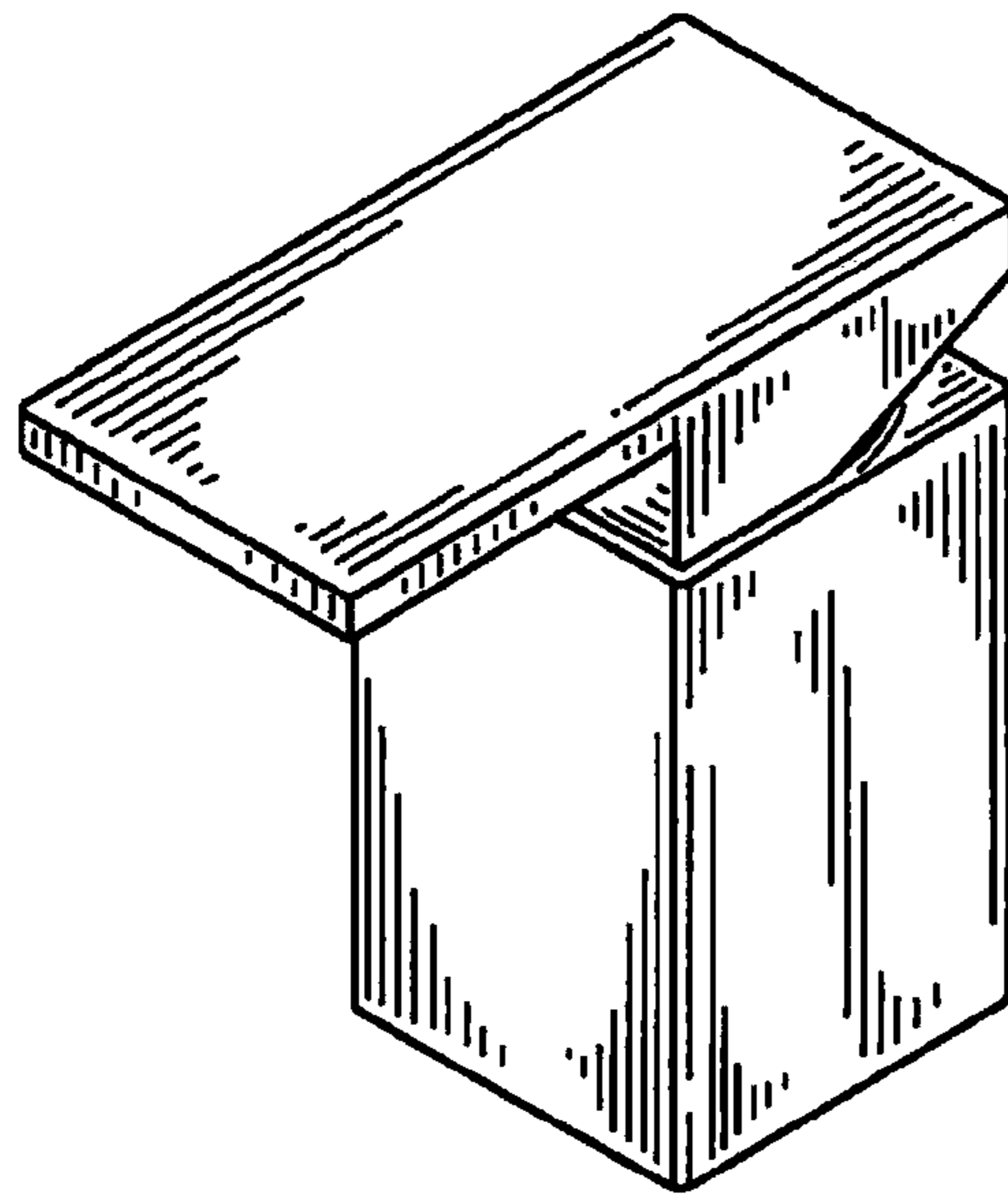


FIG. 1

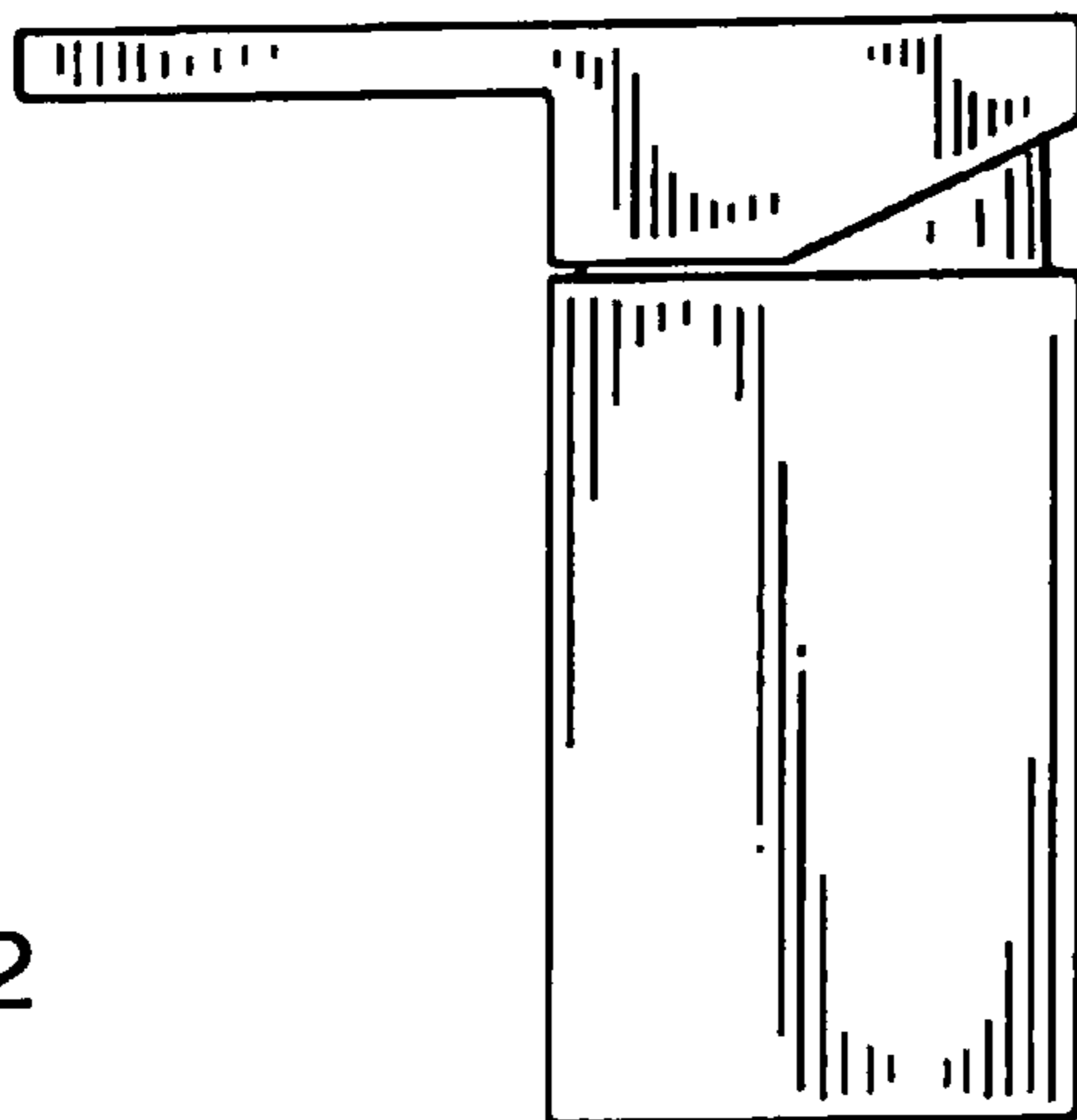


FIG. 2

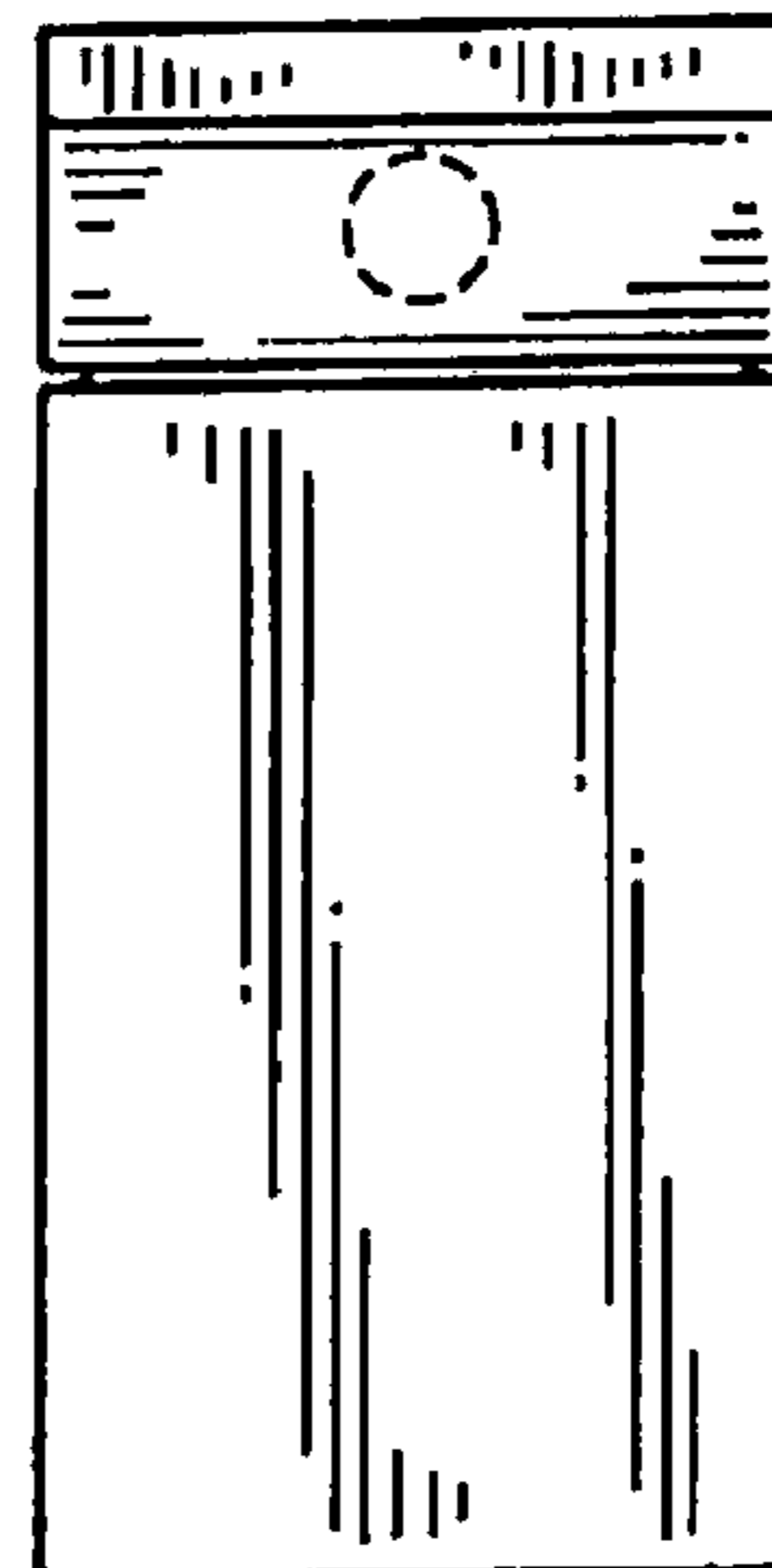


FIG. 3

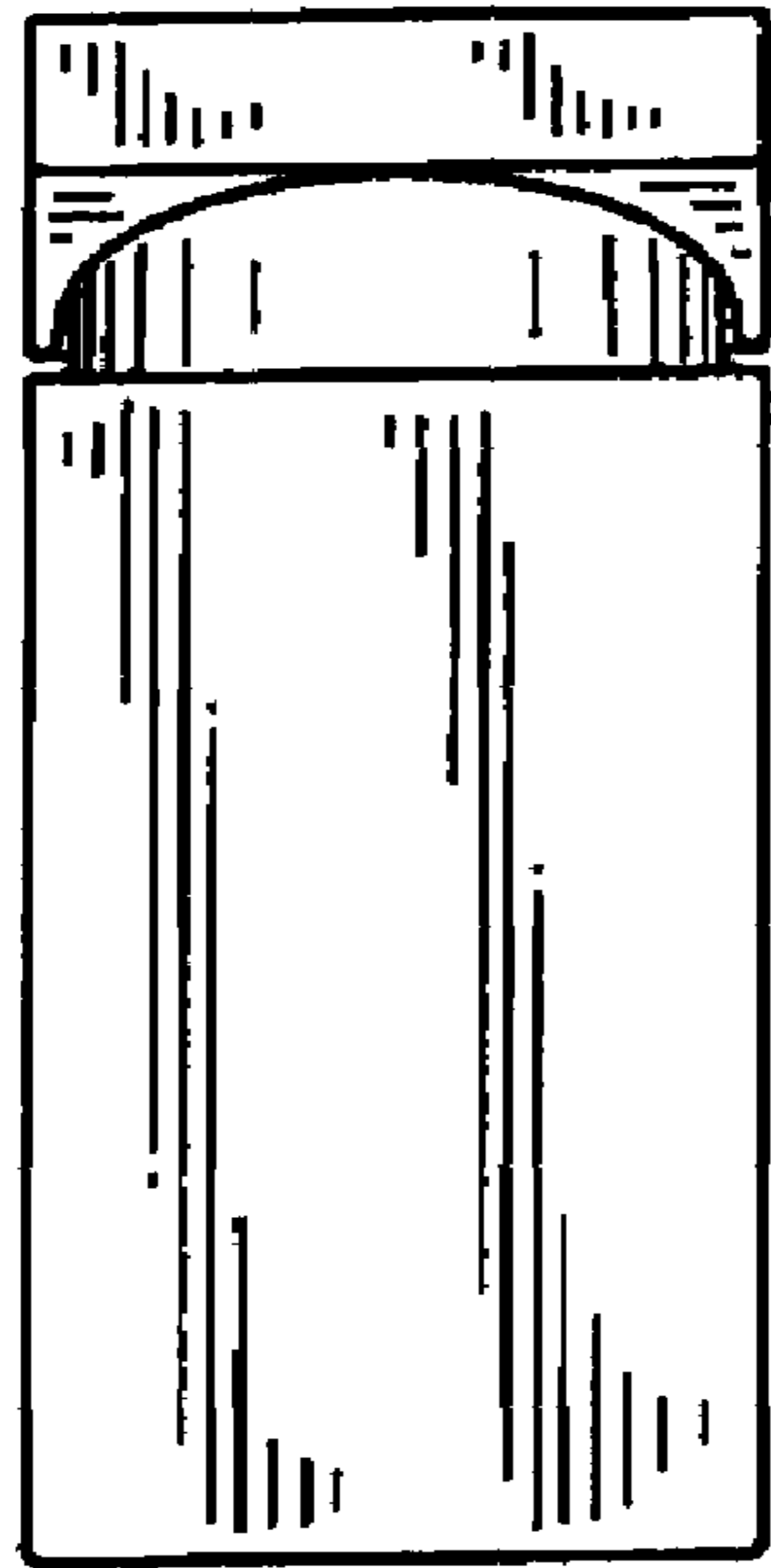


FIG. 4

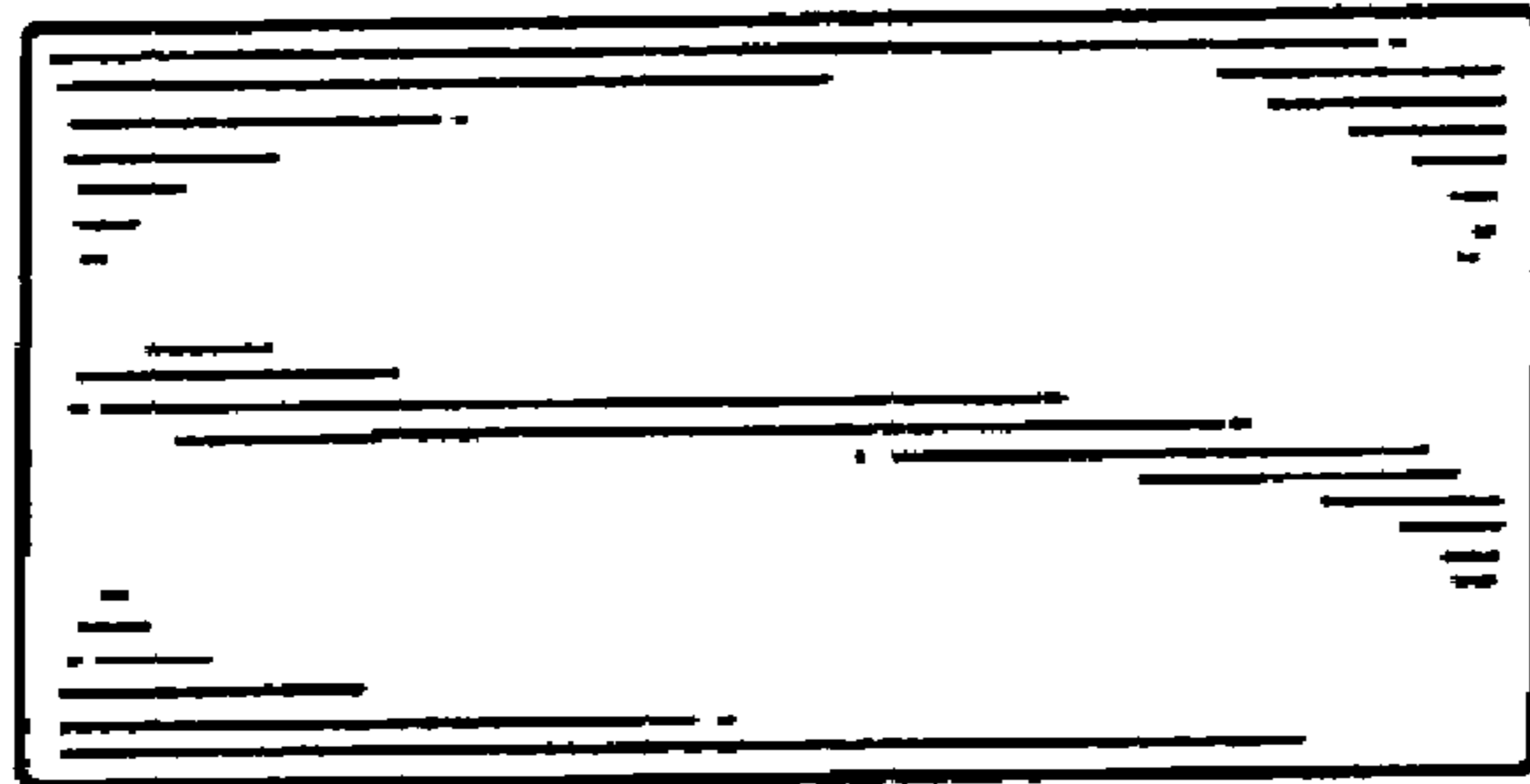


FIG. 5

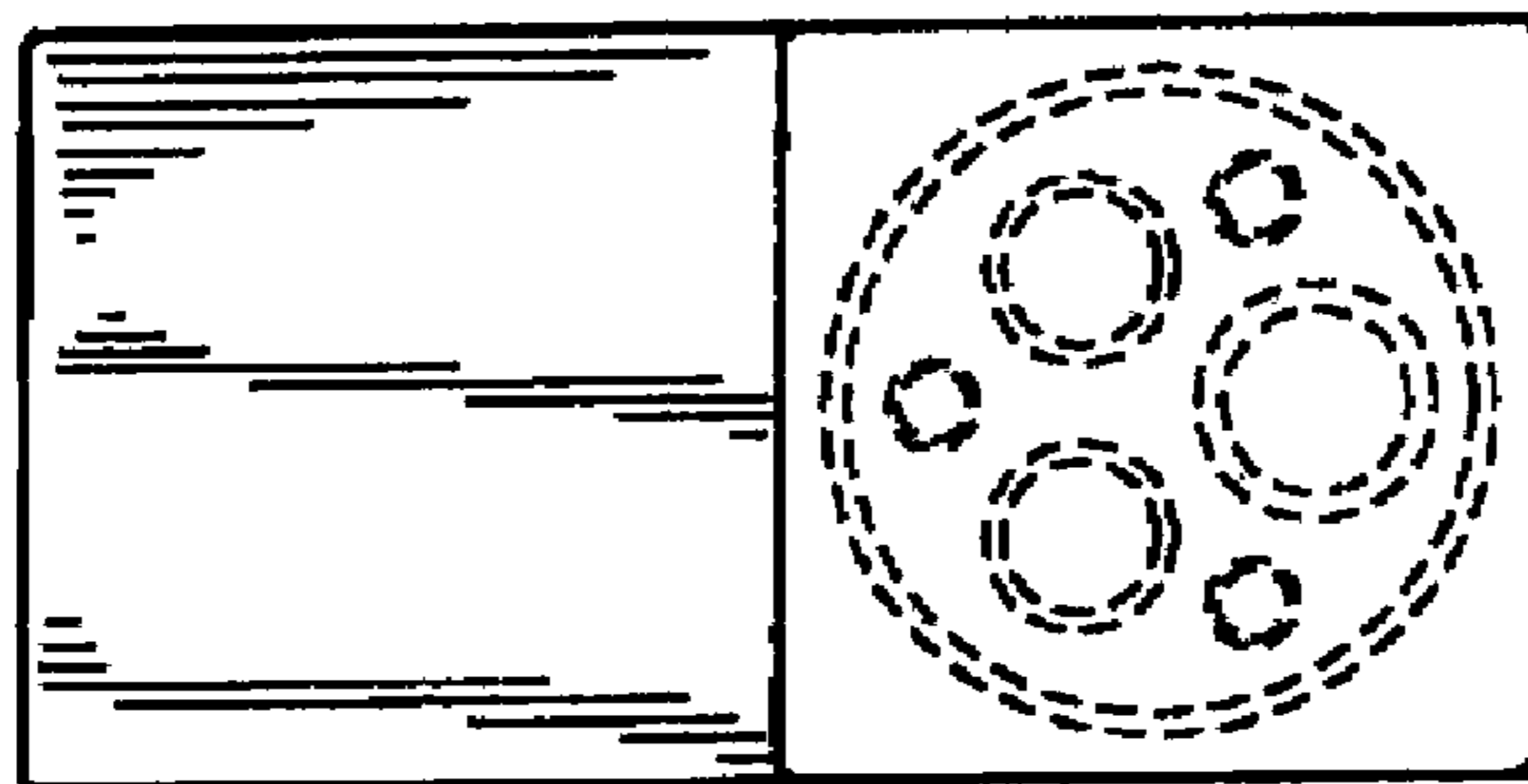


FIG. 6