



US00D617423S

(12) **United States Design Patent**  
**Suzuki**

(10) **Patent No.:** **US D617,423 S**  
(45) **Date of Patent:** **\*\* Jun. 8, 2010**

(54) **MIXING FAUCET**  
(75) Inventor: **Edward Suzuki**, Tokyo (JP)  
(73) Assignee: **San-Ei Faucet Mfg. Co., Ltd.** (JP)  
(\*\*) Term: **14 Years**

D511,200 S \* 11/2005 Kulig et al. .... D23/238  
D517,652 S \* 3/2006 Egli et al. .... D23/238  
D528,633 S \* 9/2006 Bayer ..... D23/238  
D532,870 S \* 11/2006 Lobermeier et al. .... D23/238  
D538,398 S 3/2007 Lobermeier et al.  
D550,330 S \* 9/2007 Mullenmeister ..... D23/238  
D564,075 S \* 3/2008 Williams ..... D23/238

(21) Appl. No.: **29/335,347**  
(22) Filed: **Apr. 14, 2009**

\* cited by examiner

*Primary Examiner*—T. Chase Nelson  
*Assistant Examiner*—Mark Cavanna  
(74) *Attorney, Agent, or Firm*—DLA Piper LLP (US)

(30) **Foreign Application Priority Data**  
Oct. 16, 2008 (JP) ..... 2008-026604

(57) **CLAIM**

(51) **LOC (9) Cl.** ..... **23-01**  
(52) **U.S. Cl.** ..... **D23/238**  
(58) **Field of Classification Search** ..... D23/200,  
D23/238–257; D6/512, 546, 550; D8/300,  
D8/307–308, 310–312, 321; 4/675–678;  
137/801; 16/110.1, 441  
See application file for complete search history.

The ornamental design for a mixing faucet, as shown and described.

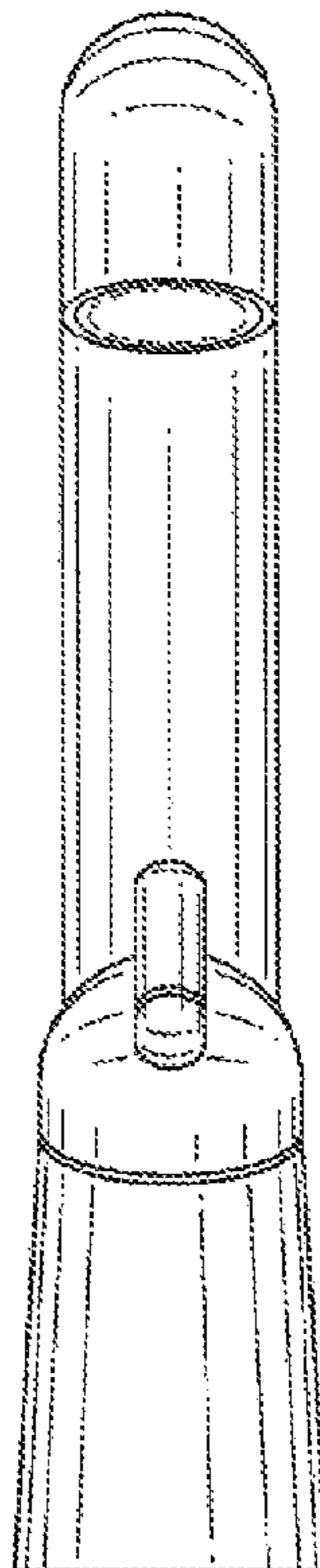
**DESCRIPTION**

FIG. 1 shows a front elevation view of a mixing faucet;  
FIG. 2 shows a rear elevation view of a mixing faucet;  
FIG. 3 shows a right side elevation view of a mixing faucet;  
FIG. 4 shows a left side elevation view of a mixing faucet;  
FIG. 5 shows a top plan view of a mixing faucet;  
FIG. 6 shows a bottom plan view of a mixing faucet; and,  
FIG. 7 shows a perspective view of a mixing faucet.

The broken lines shown are included for the purpose of illustrating portions of the mixing faucet that form no part of the claimed design.

(56) **References Cited**  
U.S. PATENT DOCUMENTS  
D255,595 S 6/1980 Lampe et al.  
D339,847 S 9/1993 Jans  
D343,227 S 1/1994 Dannenberg et al.  
D376,413 S 12/1996 Kergoet  
D463,530 S \* 9/2002 Dretzka ..... D23/238  
D476,396 S \* 6/2003 Hanna ..... D23/238  
D499,795 S \* 12/2004 Bayer ..... D23/238  
D510,411 S 10/2005 Lord

**1 Claim, 4 Drawing Sheets**



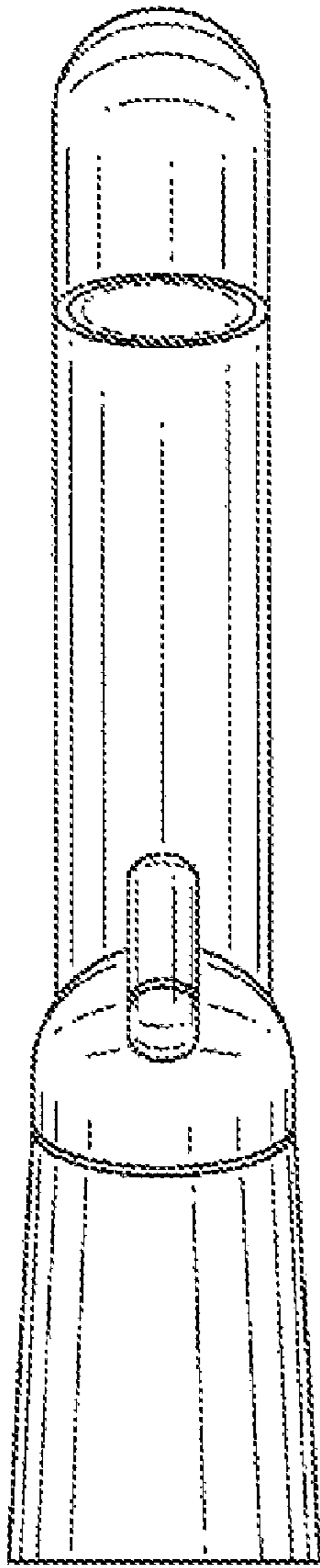


FIG. 1

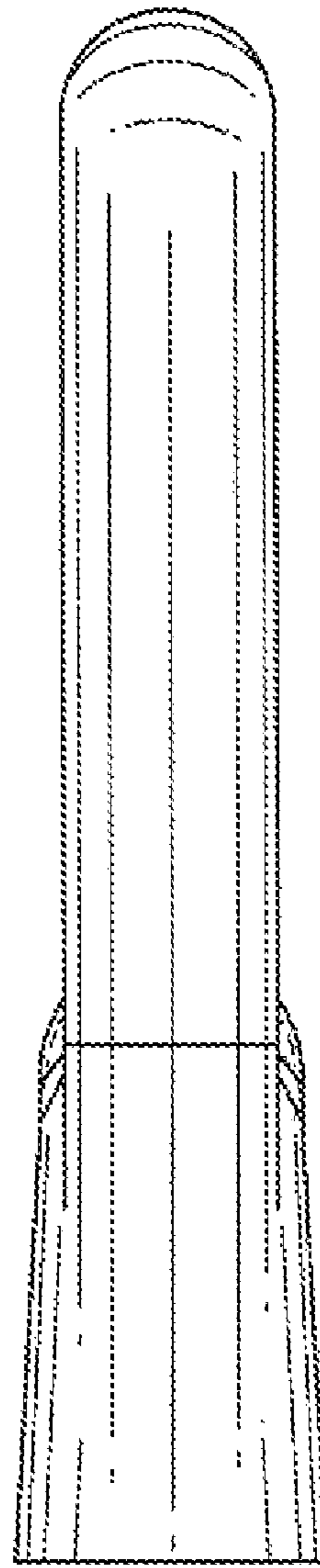


FIG. 2

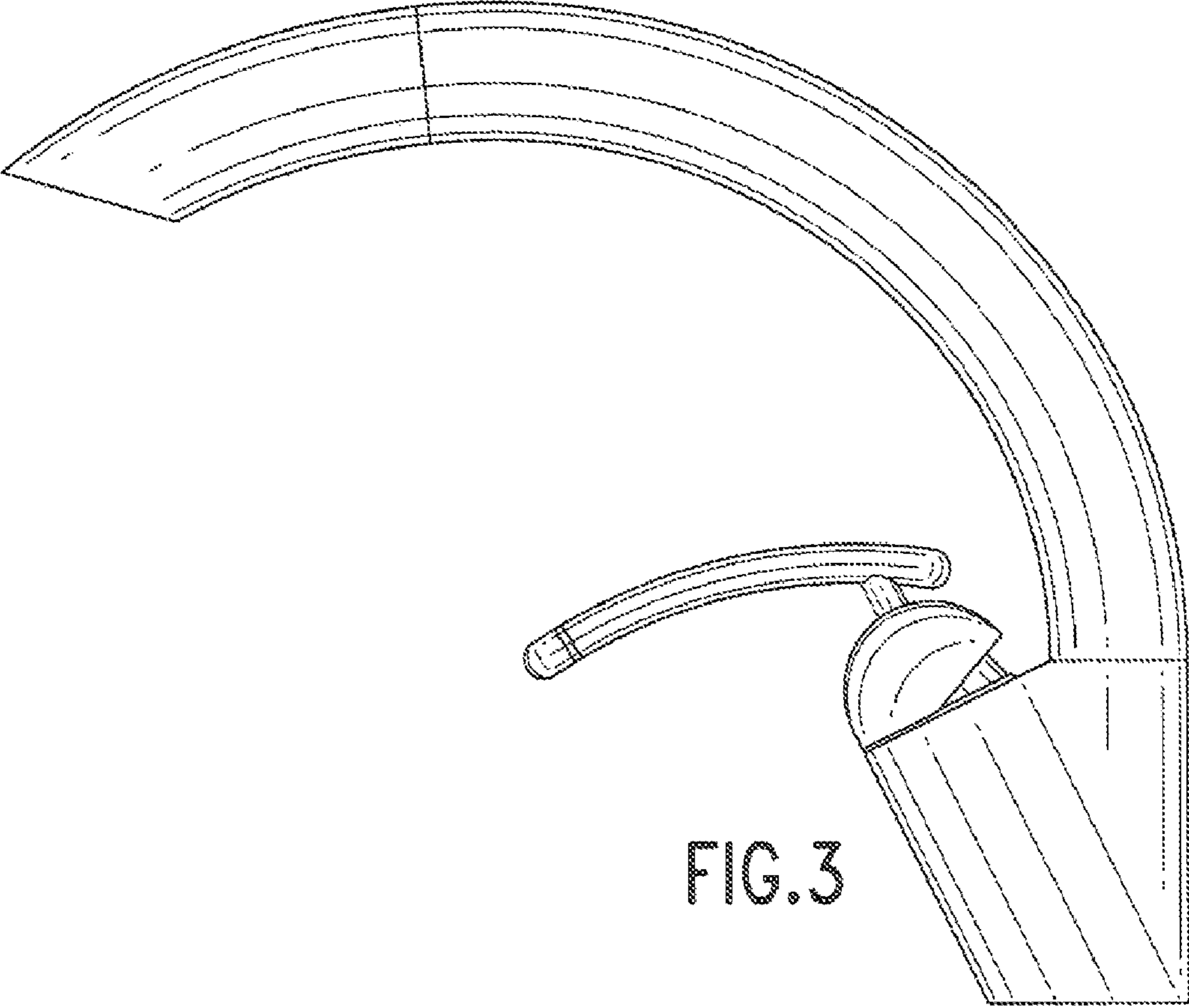


FIG. 3

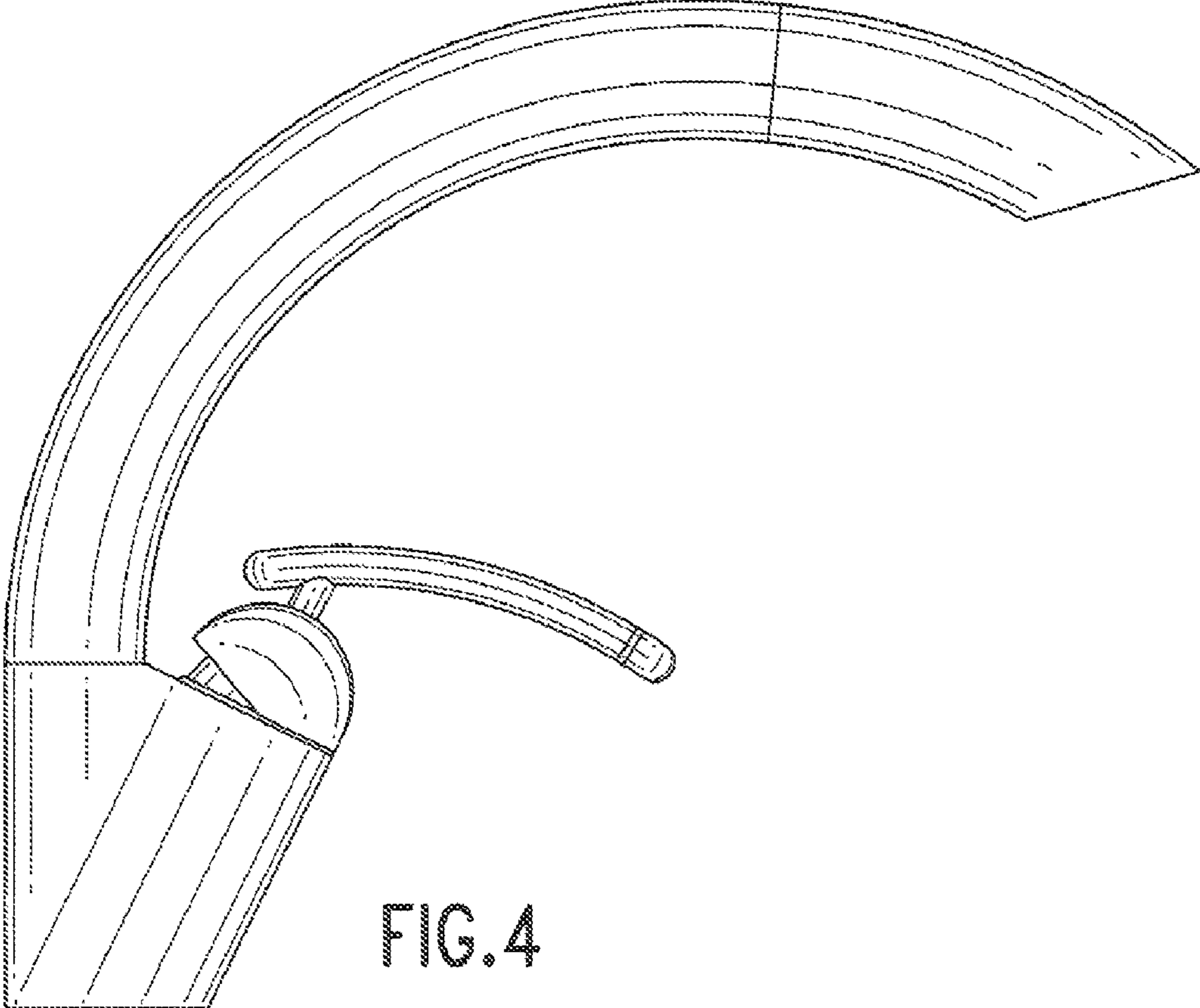


FIG. 4

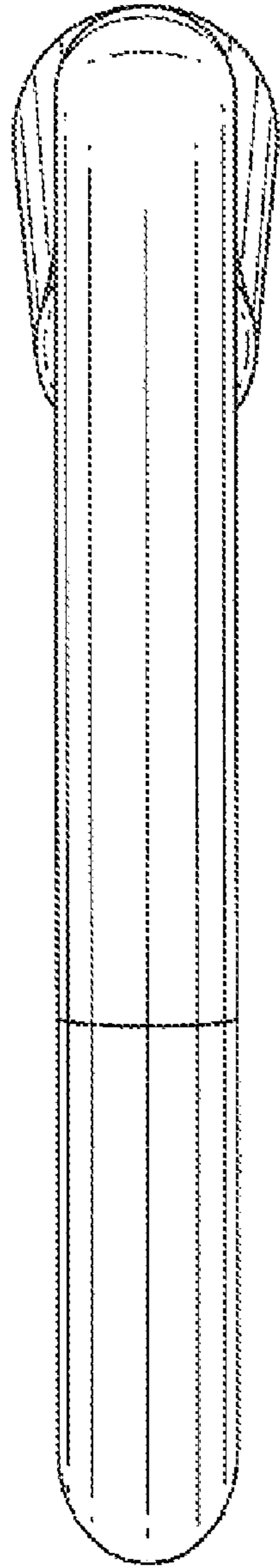


FIG. 5

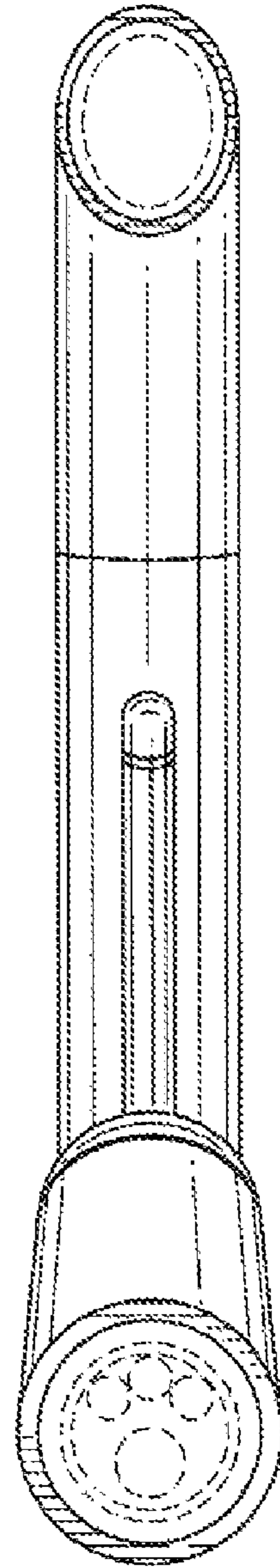


FIG. 6

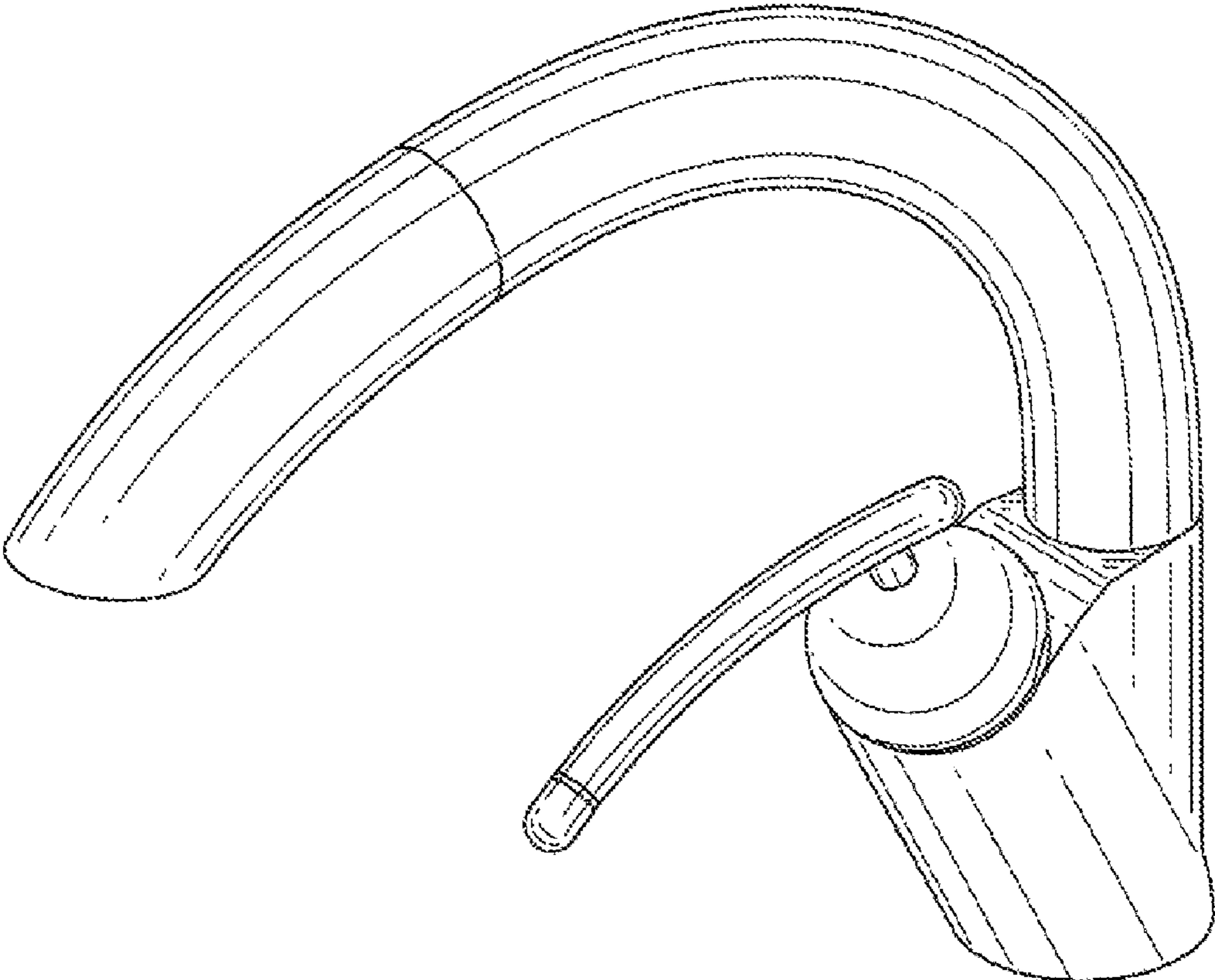


FIG. 7