



US00D617421S

(12) **United States Design Patent**
Fulkerson

(10) **Patent No.:** **US D617,421 S**

(45) **Date of Patent:** **** *Jun. 8, 2010**

(54) **VALVE**

(75) **Inventor:** **Terrence M. Fulkerson**, Brunswick Hills, OH (US)

(73) **Assignee:** **Nordson Corporation**, Westlake, OH (US)

(*) **Notice:** This patent is subject to a terminal disclaimer.

(**) **Term:** **14 Years**

(21) **Appl. No.:** **29/339,912**

(22) **Filed:** **Jul. 10, 2009**

Related U.S. Application Data

(63) Continuation of application No. 29/298,572, filed on Dec. 7, 2007, now Pat. No. Des. 597,629.

(51) **LOC (9) Cl.** **23-01**

(52) **U.S. Cl.** **D23/233**

(58) **Field of Classification Search** D23/233–237, D23/244–249; D7/398; D34/39; 239/337, 239/349, 353, 569; 118/300, 308; 137/209; D3/23, 24

See application file for complete search history.

(56) **References Cited**

U.S. PATENT DOCUMENTS

D94,288 S	1/1935	Teahen	
D244,943 S *	7/1977	Balmer, Jr.	D14/484
D276,299 S	11/1984	Reardon	
D281,482 S *	11/1985	Suzuki	D8/358
D318,412 S	7/1991	Williams	
D348,922 S	7/1994	Thrasher et al.	
D355,584 S *	2/1995	Clivio	D8/359
D368,299 S	3/1996	Ratledge	
D424,167 S	5/2000	Yuen et al.	
D436,520 S *	1/2001	Bulman	D8/358
6,179,221 B1	1/2001	Goldberg et al.	
D443,811 S	6/2001	Tisbo	
6,278,061 B1 *	8/2001	Daoud	174/659

6,619,563 B2	9/2003	van der Steur	
D486,061 S *	2/2004	Mullins et al.	D8/400
6,705,545 B1	3/2004	Sroka et al.	
D504,307 S	4/2005	Dayan	
D504,806 S	5/2005	Basaran et al.	
D508,199 S	8/2005	Winig et al.	
D523,251 S *	6/2006	Parpala	D6/352
D524,911 S *	7/2006	Thompson et al.	D23/233

(Continued)

Primary Examiner—Cathron C. Brooks

Assistant Examiner—Maurice Stevens

(74) *Attorney, Agent, or Firm*—Calfee, Halter & Griswold LLP

(57) **CLAIM**

The ornamental design for a valve, as shown and described.

DESCRIPTION

FIG. 1 is a perspective view of a valve of the new design;

FIG. 2 is a top plan view of the valve of FIG. 1;

FIG. 3 is a bottom plan view of the valve of FIG. 1;

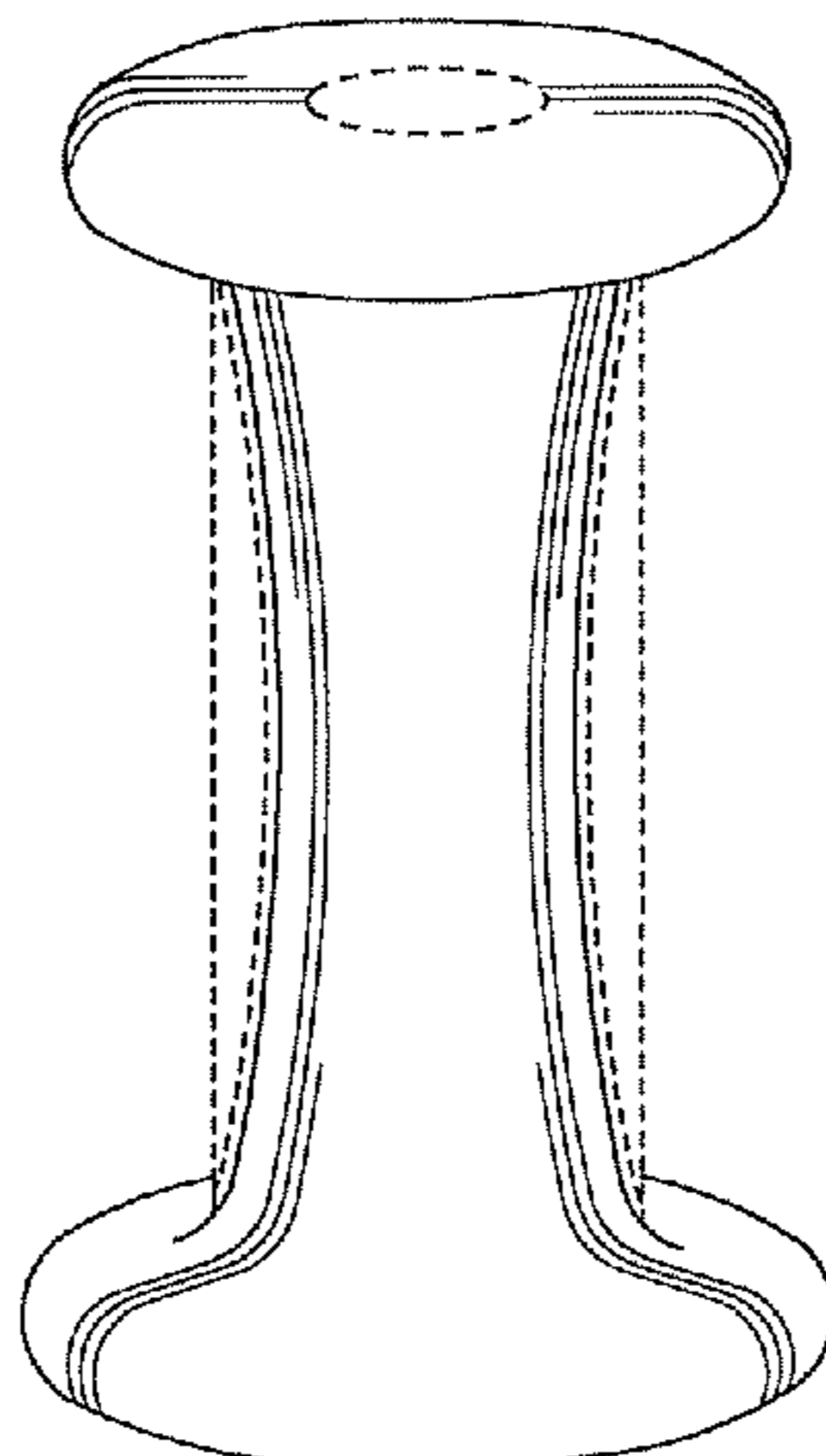
FIG. 4 is a front elevational view of the valve of FIG. 1, the rear elevational view being a mirror image thereof;

FIG. 5 is a right side elevational view of the valve of FIG. 1, the left side elevational view being a mirror image thereof; and,

FIG. 6 is a cross section view of the valve of FIG. 1, along the 6—6 line.

The portions of the Figures shown in broken lines are not part of the claimed design and are for illustration only.

1 Claim, 1 Drawing Sheet



US D617,421 S

Page 2

U.S. PATENT DOCUMENTS

D537,709 S *	3/2007	Thorner	D8/396	D563,207 S *	3/2008	Kawazoe	D8/358
D545,561 S *	7/2007	Vandecasteele	D3/24	D583,651 S *	12/2008	Kawazoe	D8/358
D546,920 S *	7/2007	Fulkerson	D23/233	D597,629 S *	8/2009	Fulkerson	D23/233
D557,118 S *	12/2007	Linginfelter	D8/358	2002/0139301 A1	10/2002	Attinoto et al.	
				2005/0158187 A1	7/2005	Fulkerson et al.	
							* cited by examiner

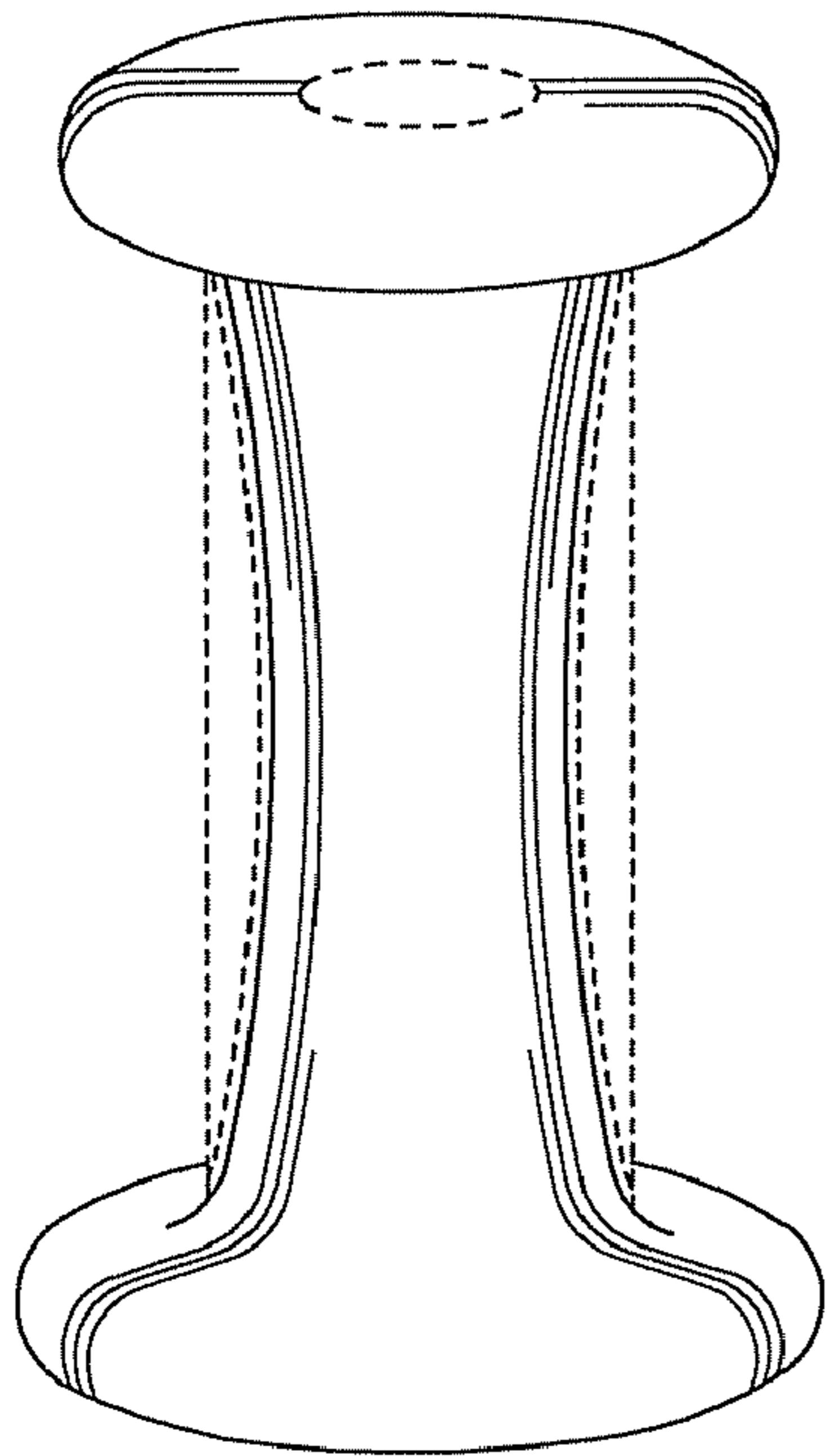


FIG. 1

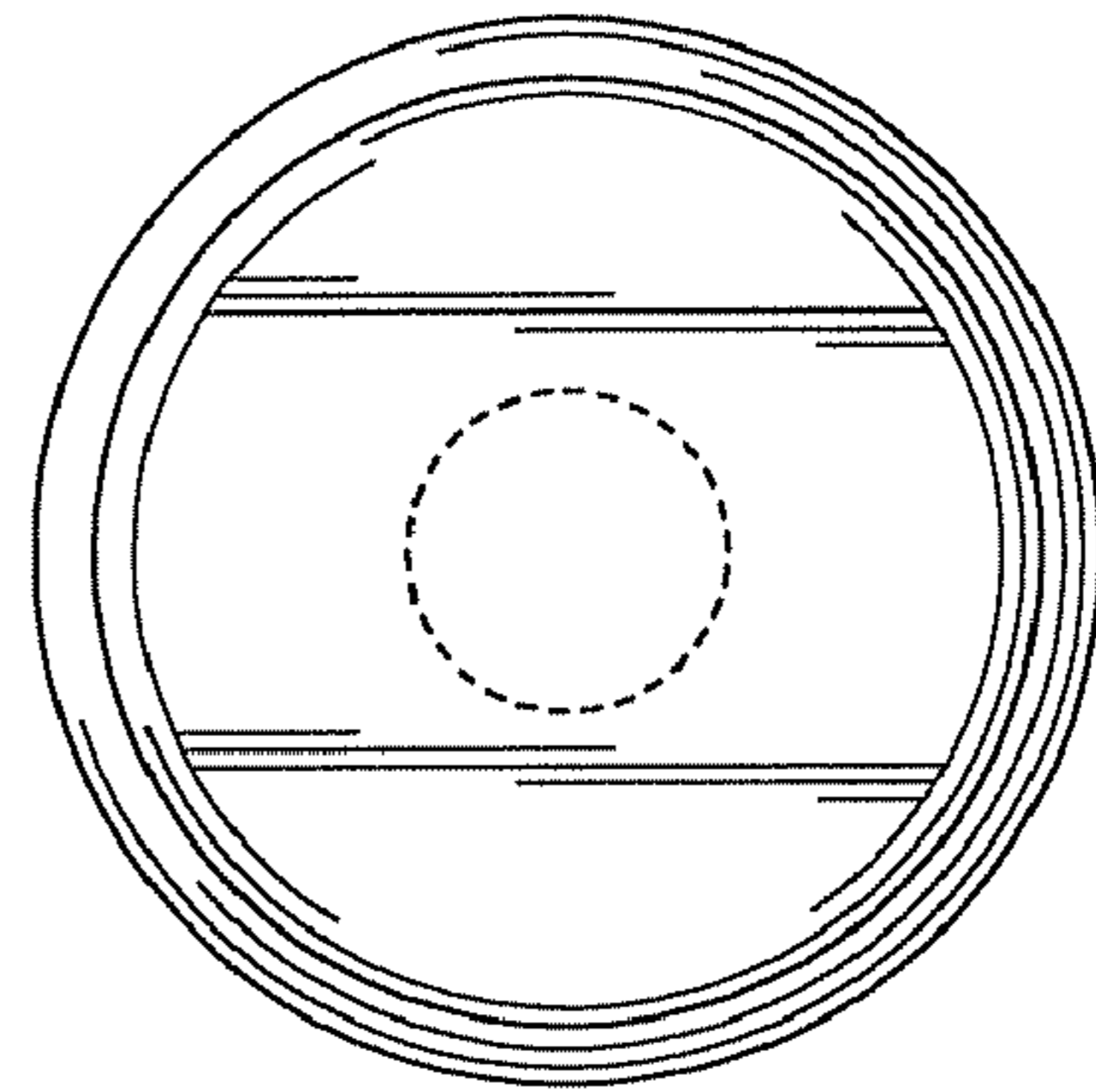


FIG. 2

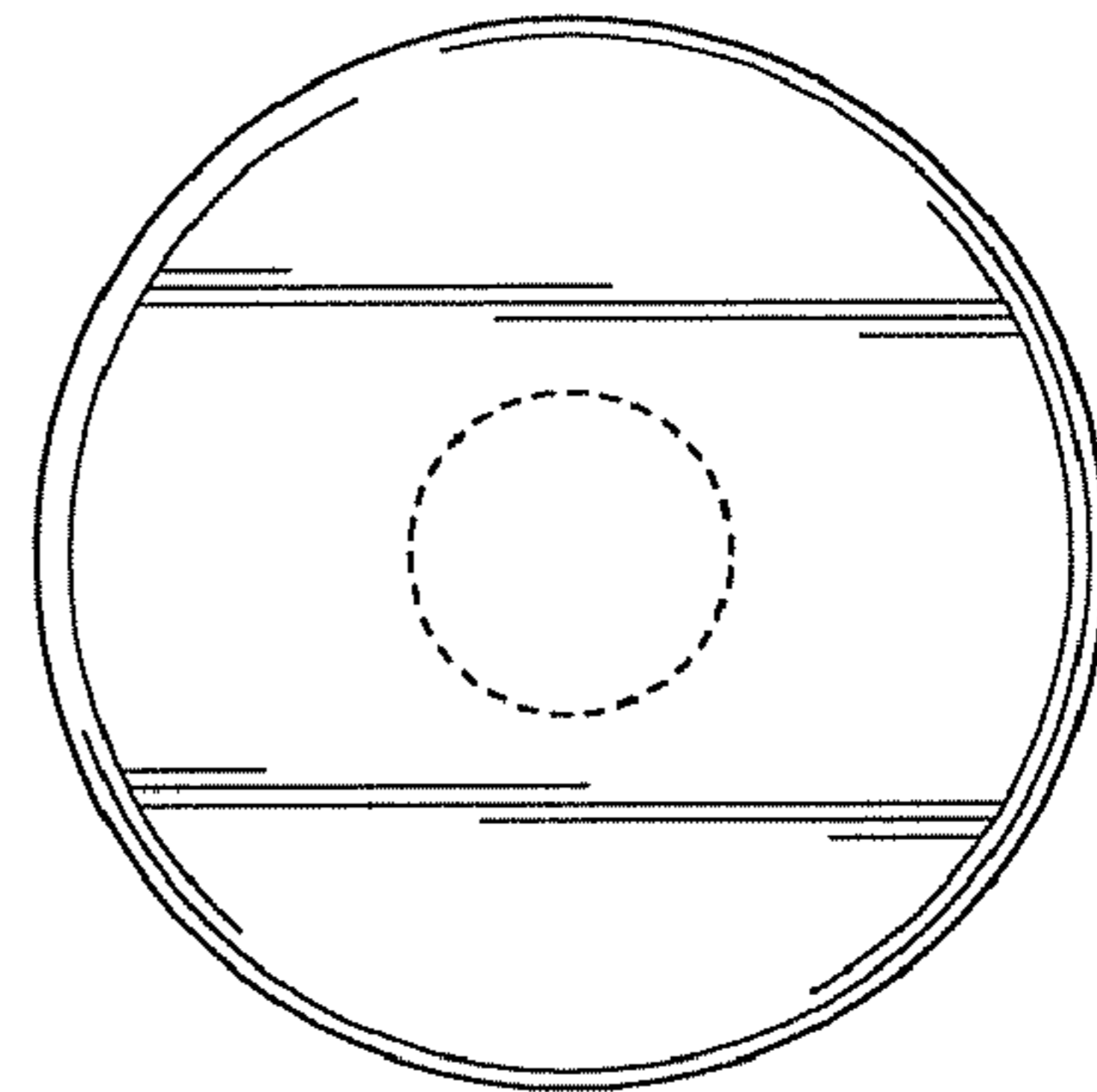


FIG. 3

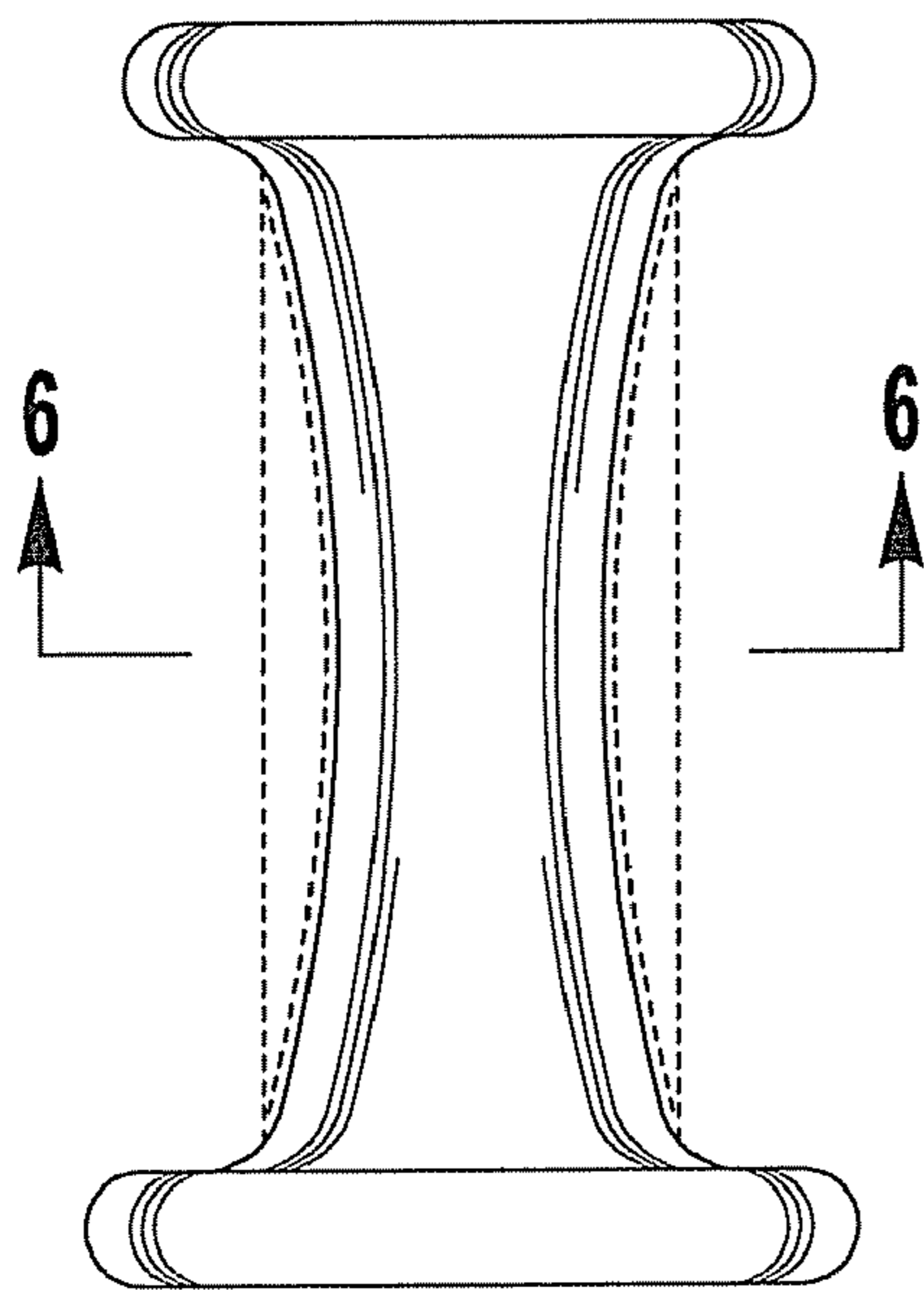


FIG. 4

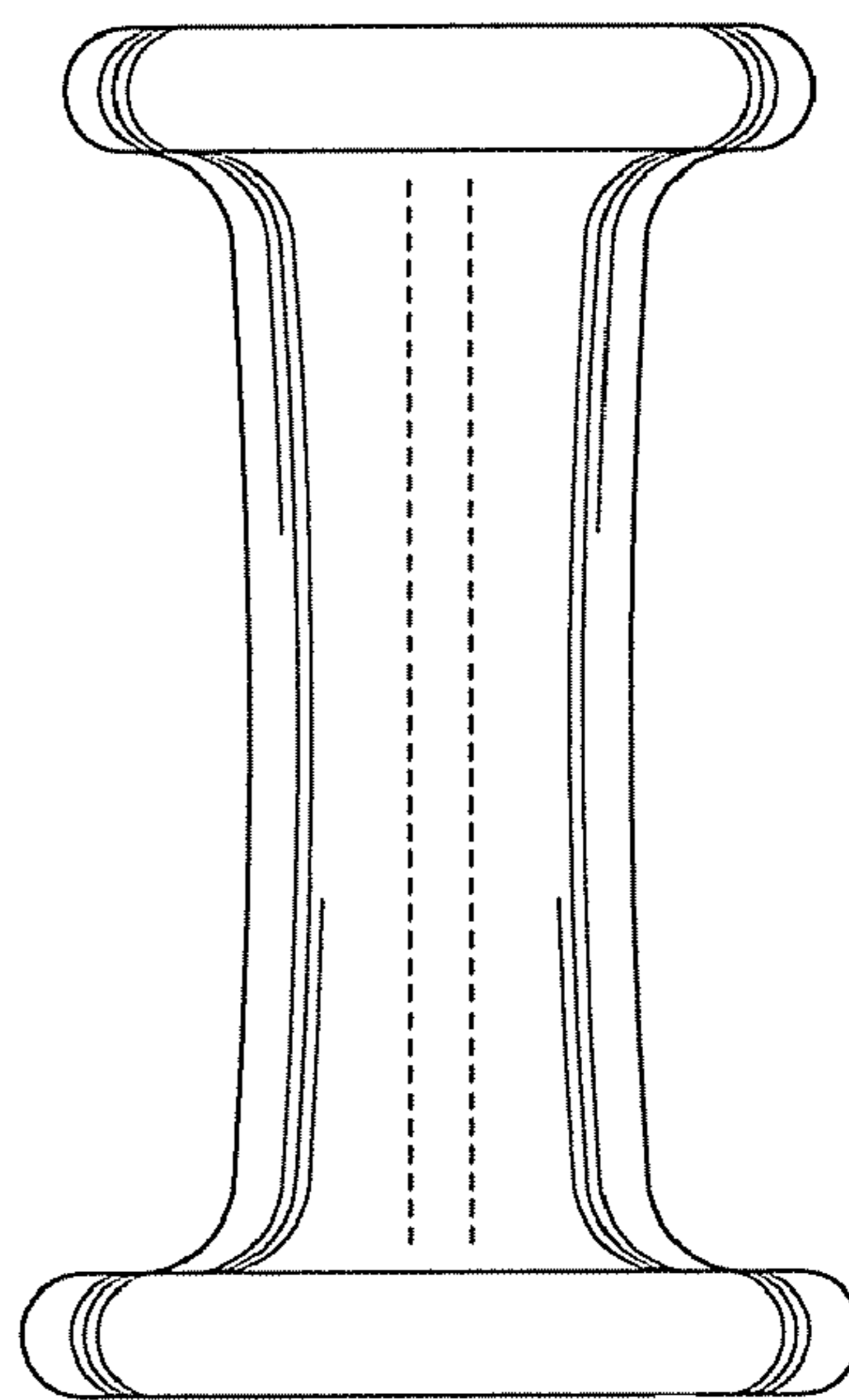


FIG. 5

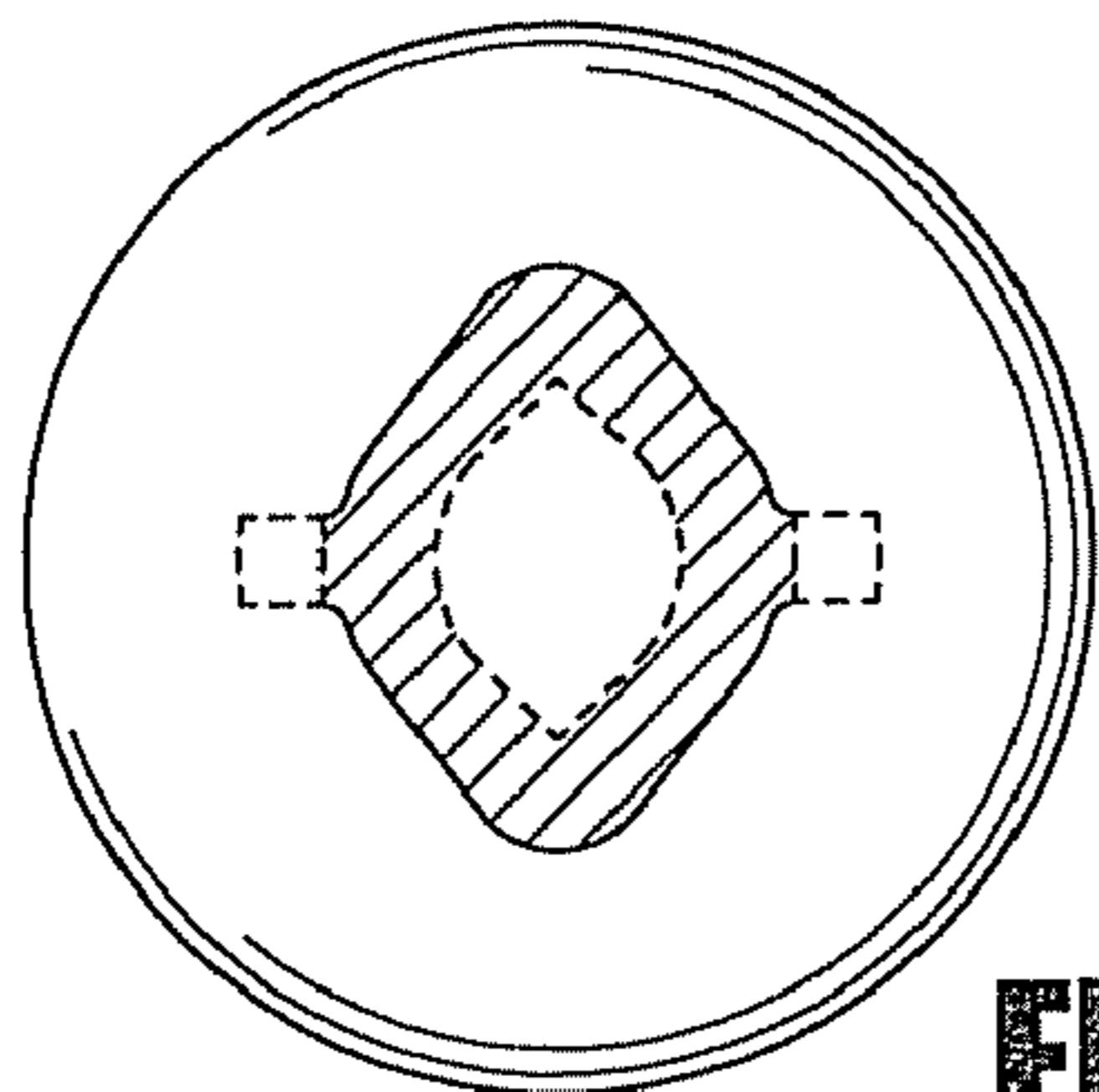


FIG. 6