



US00D617416S

(12) **United States Design Patent**
Chen

(10) **Patent No.:** **US D617,416 S**
(45) **Date of Patent:** **** Jun. 8, 2010**

(54) **WATER SPRAYER HANDLE**

(75) Inventor: **Chin-Yuan Chen**, Changhua Hsien (TW)

(73) Assignee: **Shin Tai Spurt Water of the Garden Tools Co., Ltd.**, Lu Kang Town (TW)

(**) Term: **14 Years**

(21) Appl. No.: **29/342,359**

(22) Filed: **Aug. 24, 2009**

(51) **LOC (9) Cl.** **23-01**

(52) **U.S. Cl.** **D23/223**

(58) **Field of Classification Search** D23/213,
D23/223, 226; 239/525-527
See application file for complete search history.

(56) **References Cited**

U.S. PATENT DOCUMENTS

D317,968 S *	7/1991	Tsai	D23/226
D472,605 S *	4/2003	Nien	D23/223
D479,302 S *	9/2003	Chen	D23/213
D492,979 S *	7/2004	Chen	D23/223
D555,766 S *	11/2007	Chen	D23/223
D565,700 S *	4/2008	Chen	D23/223
D576,253 S *	9/2008	Cheng	D23/223

* cited by examiner

Primary Examiner—Robin V Webster

(74) *Attorney, Agent, or Firm*—Alan Kamrath; Kamrath & Associates PA

(57) **CLAIM**

The ornamental design for water sprayer handle, as shown and described.

DESCRIPTION

FIG. 1 is a perspective view of water sprayer handle showing my design;

FIG. 2 is a front elevational view thereof;

FIG. 3 is a rear elevational view thereof;

FIG. 4 is a left side elevational view thereof;

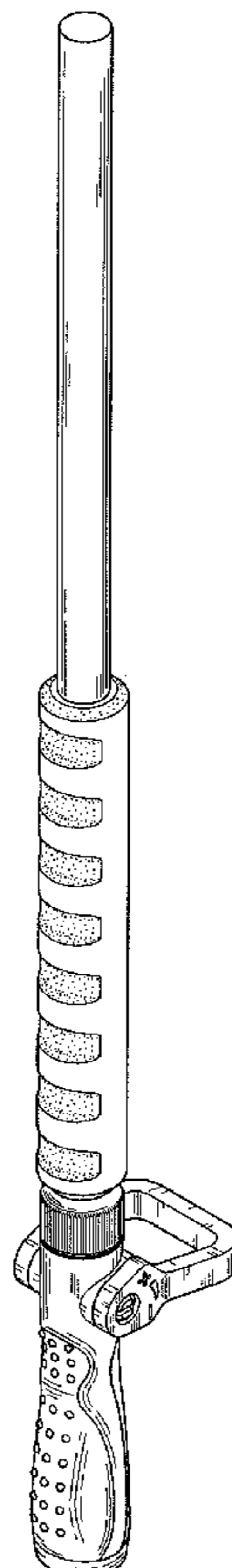
FIG. 5 is a right side elevational view thereof;

FIG. 6 is a top plan view thereof;

FIG. 7 is a bottom plan view thereof; and,

FIG. 8 is a perspective schematic view illustrating an application of a water sprayer handle showing my design. The broken lines shown in the figure are for illustrative purposes only and form no part of the claimed design.

1 Claim, 8 Drawing Sheets



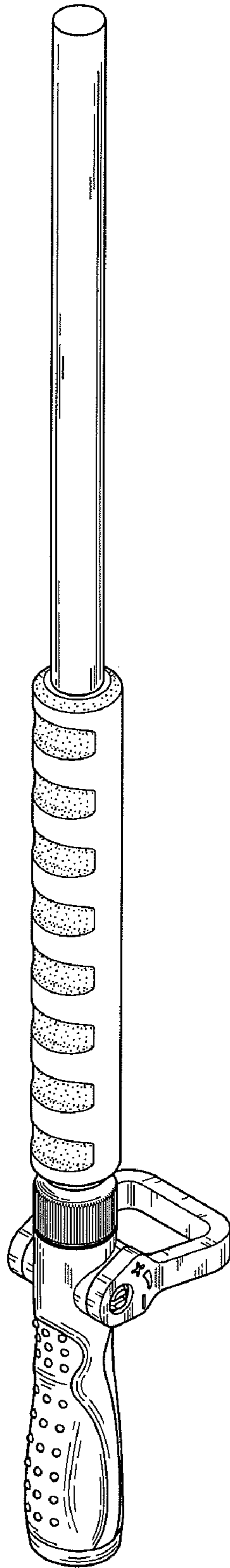


FIG. 1

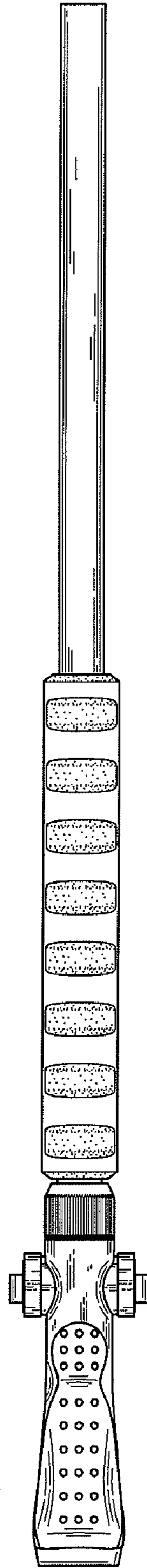


FIG. 2

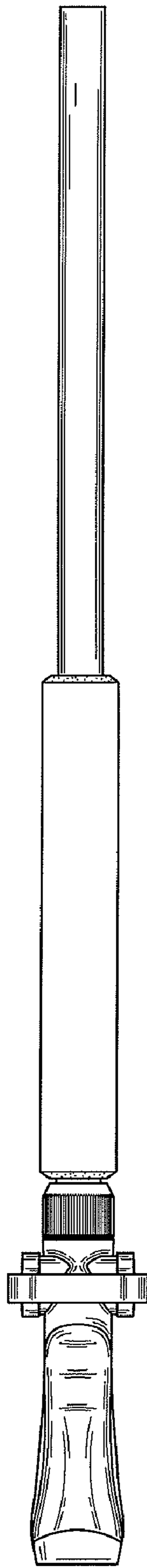


FIG. 3

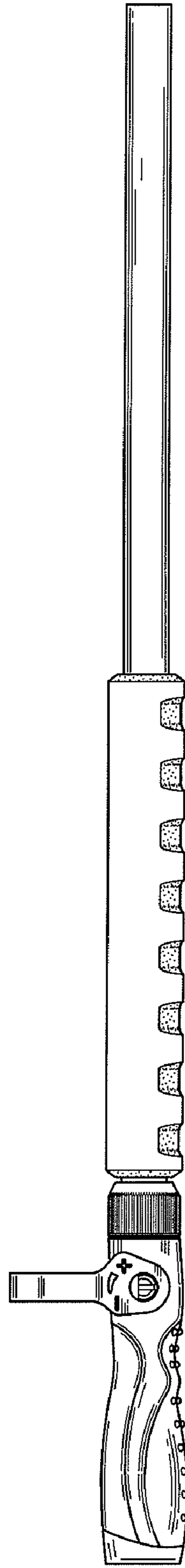


FIG. 4

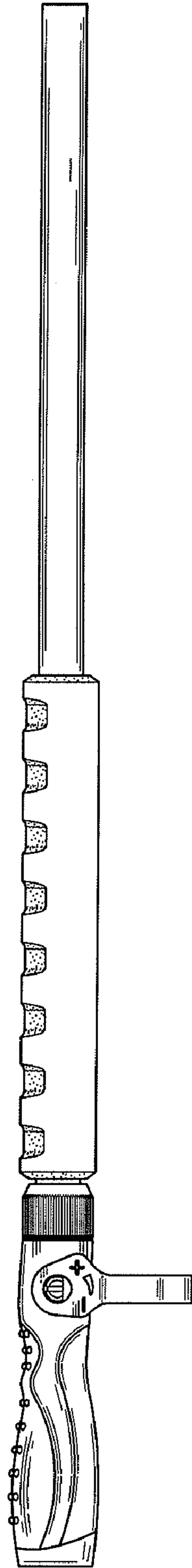


FIG. 5

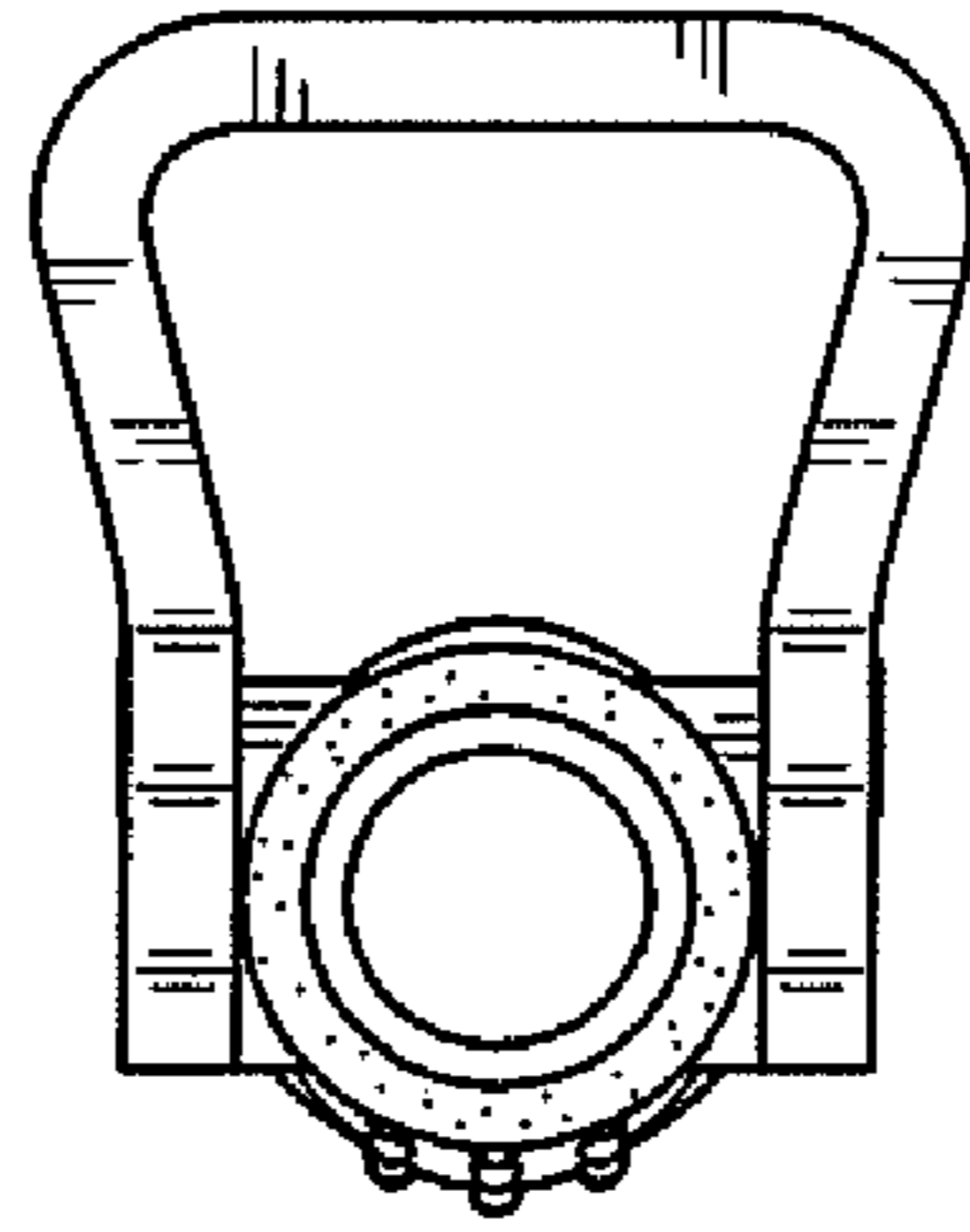


FIG. 6

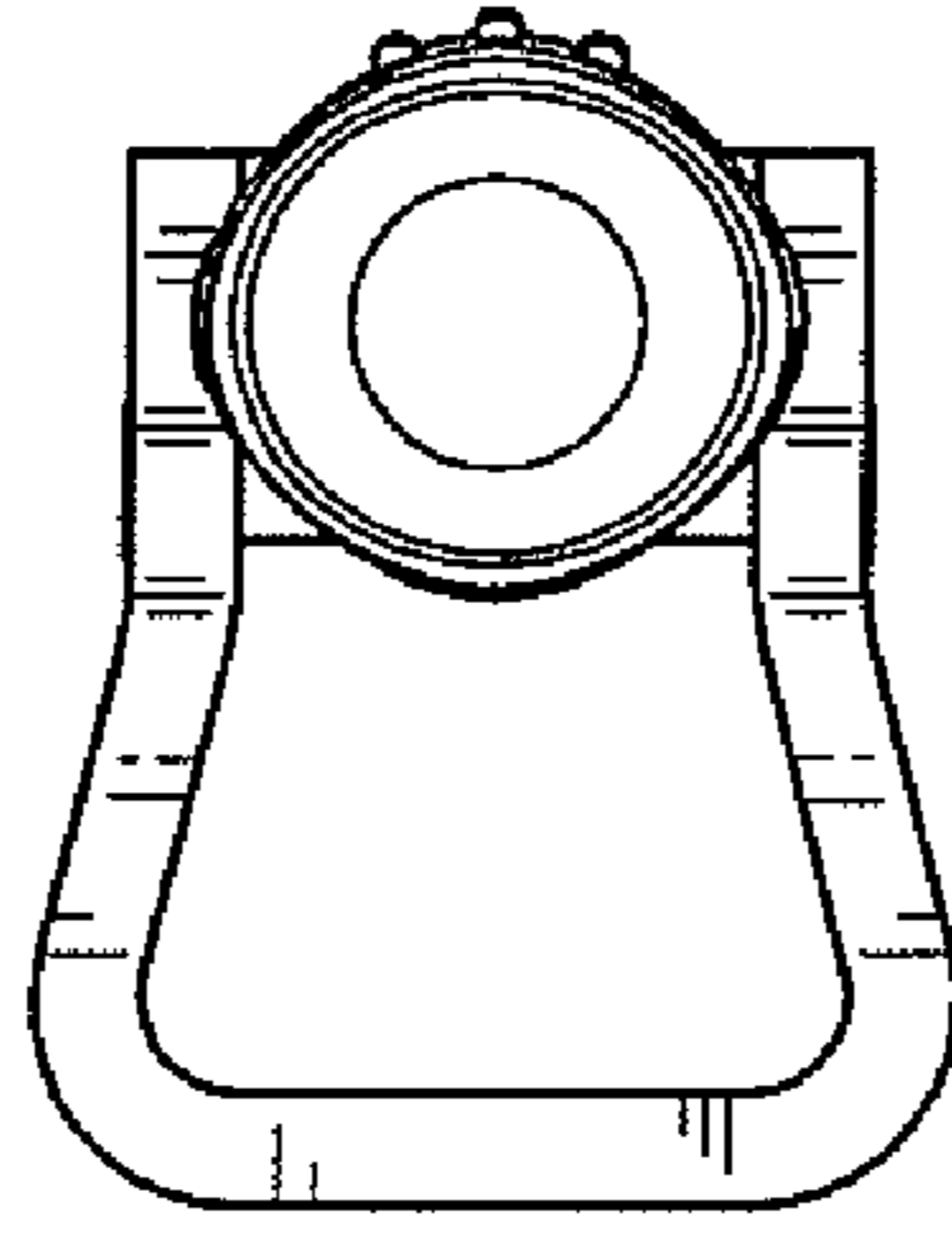


FIG. 7

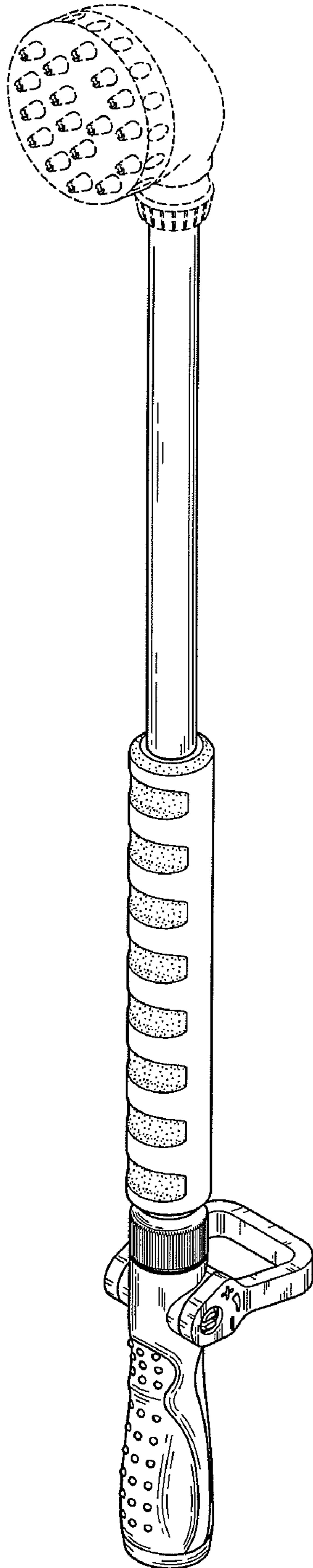


FIG. 8