



US00D617414S

(12) **United States Design Patent**  
**Sofield**

(10) **Patent No.:** **US D617,414 S**  
(45) **Date of Patent:** **\*\* Jun. 8, 2010**

(54) **SHOWERHEAD**

(75) Inventor: **William Sofield**, New York, NY (US)

(73) Assignee: **Kohler Co.**, Kohler, WI (US)

(\*\*) Term: **14 Years**

(21) Appl. No.: **29/336,333**

(22) Filed: **Apr. 30, 2009**

(51) **LOC (9) Cl.** ..... **23-01**

(52) **U.S. Cl.** ..... **D23/213; D23/229**

(58) **Field of Classification Search** ..... D23/213,  
D23/223, 226, 229–230; 239/525–527, 282–283,  
239/460

See application file for complete search history.

(56) **References Cited**

**U.S. PATENT DOCUMENTS**

D499,792 S *	12/2004	Blomstrom	.....	D23/229
D536,420 S	2/2007	Paterson et al.		
D548,817 S *	8/2007	Dingler et al.	.....	D23/229
D566,233 S *	4/2008	Downey et al.	.....	D23/229
D572,796 S *	7/2008	Genord et al.	.....	D23/229

**OTHER PUBLICATIONS**

Kohler Co. “Autel Showerhead”. Model No. K-7371.  
HomePortfolio.com online catalog. Copyright 1997-2009  
HomePortfolio Inc.

Kohler Co. “Trend Economy Showerhead”. Model No. K-11741,  
K-7395. HomePortfolio.com online catalog Copyright 1997-2009  
HomePortfolio Inc.

\* cited by examiner

*Primary Examiner*—Robin V Webster

(74) *Attorney, Agent, or Firm*—Quarles & Brady LLP

(57) **CLAIM**

The ornamental design for a showerhead, as shown and described.

**DESCRIPTION**

FIG. 1 is a right, front perspective view of a showerhead according to my new design;

FIG. 2 is a right side elevational view thereof, the left side elevational view thereof being a mirror image of the right side shown;

FIG. 3 is a front elevational view thereof;

FIG. 4 is a rear elevational view thereof;

FIG. 5 is a top plan view thereof; and,

FIG. 6 is a bottom plan view thereof.

In a preferred embodiment, the nature of this product is a showerhead, primarily useful for washing the human body.

The broken line representations in the figures are for the purpose of illustration only, and form no part of the claimed design.

**1 Claim, 3 Drawing Sheets**

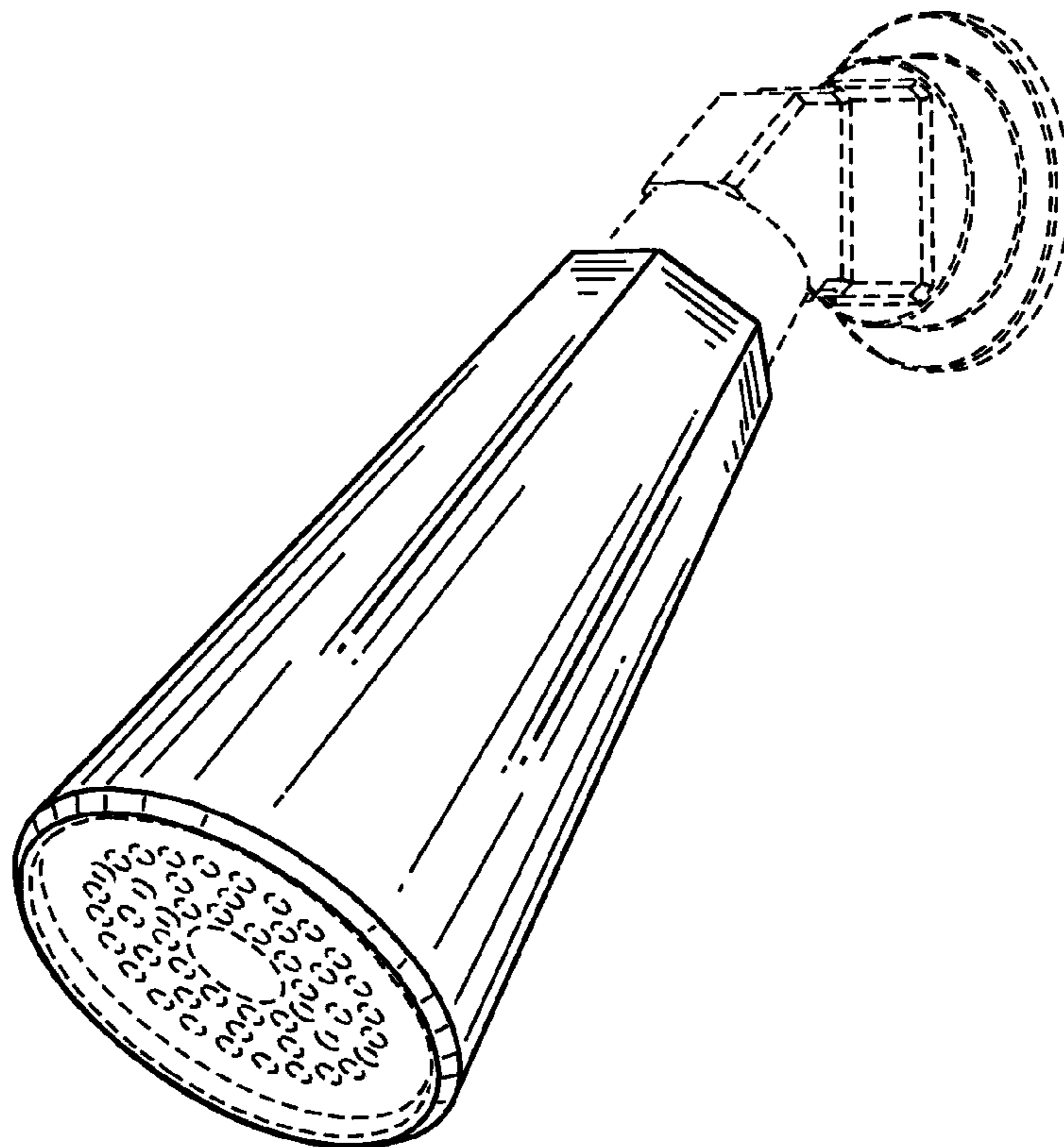


FIG. 1

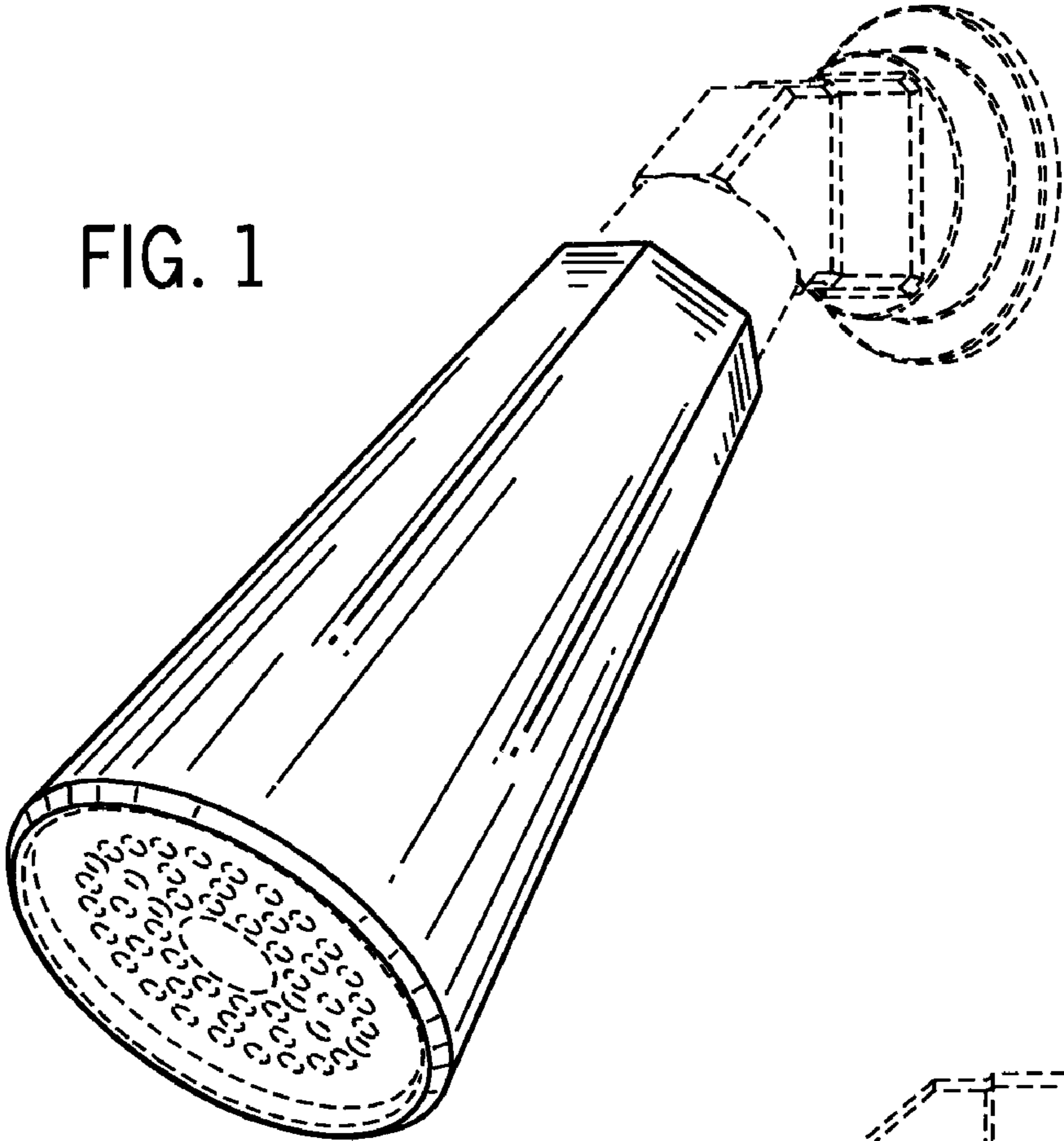
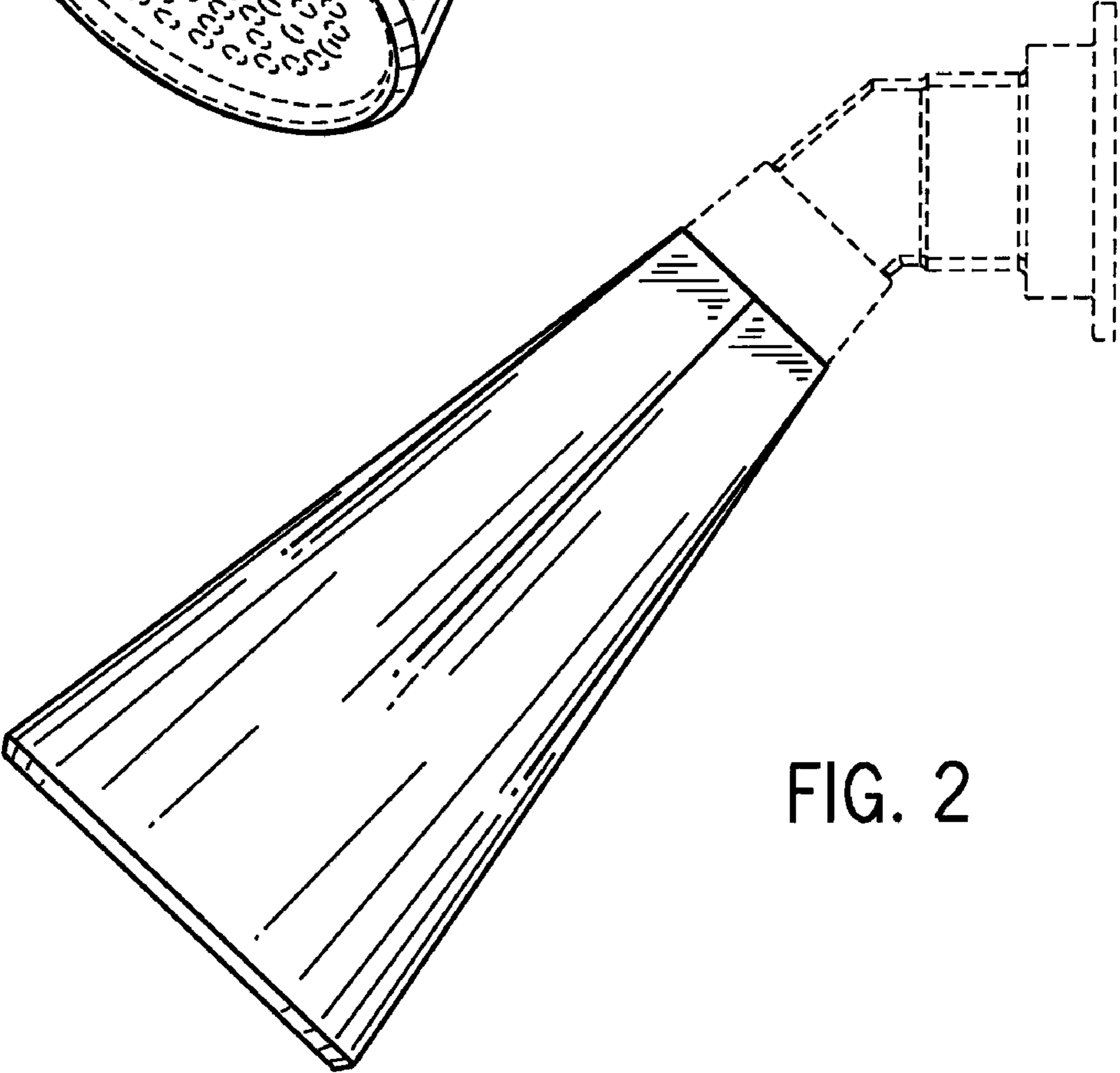


FIG. 2



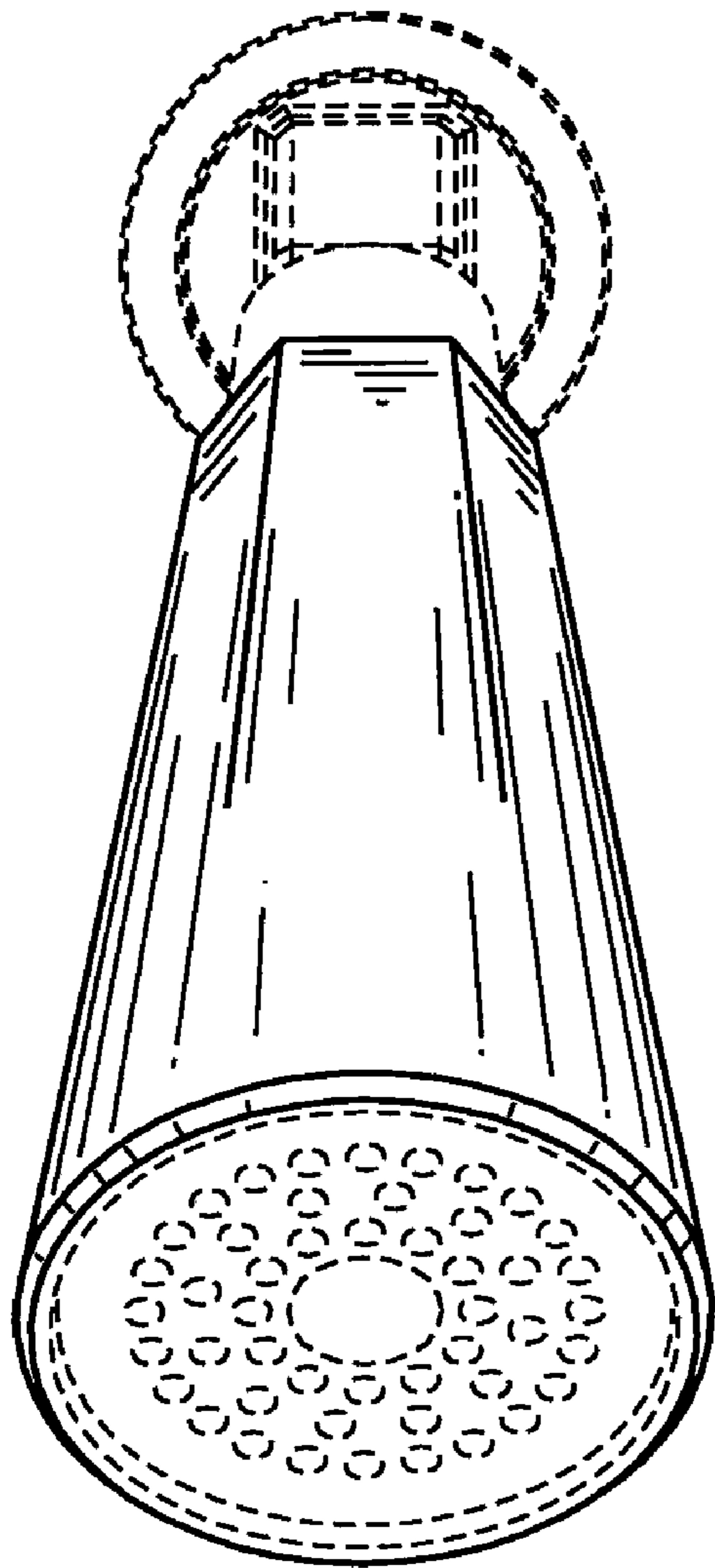


FIG. 3

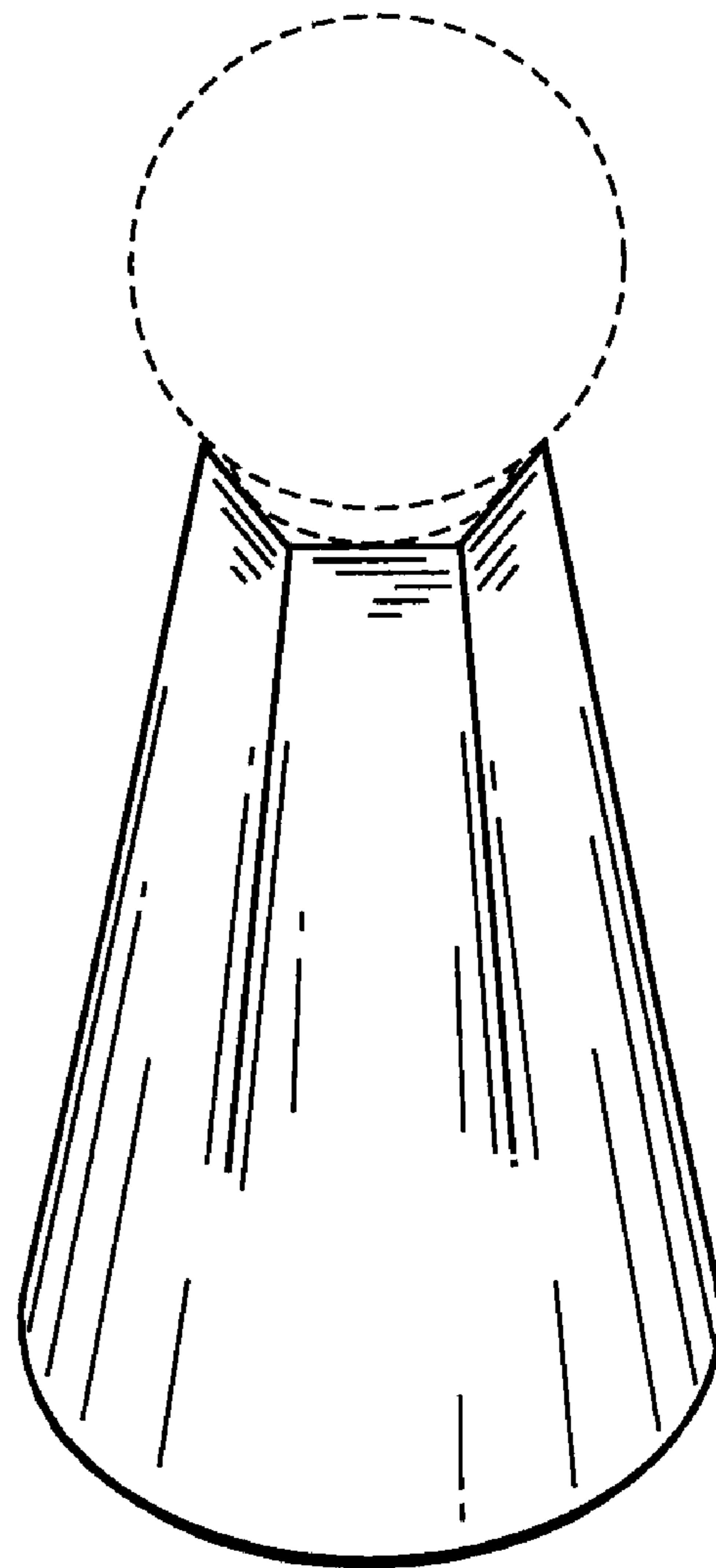


FIG. 4

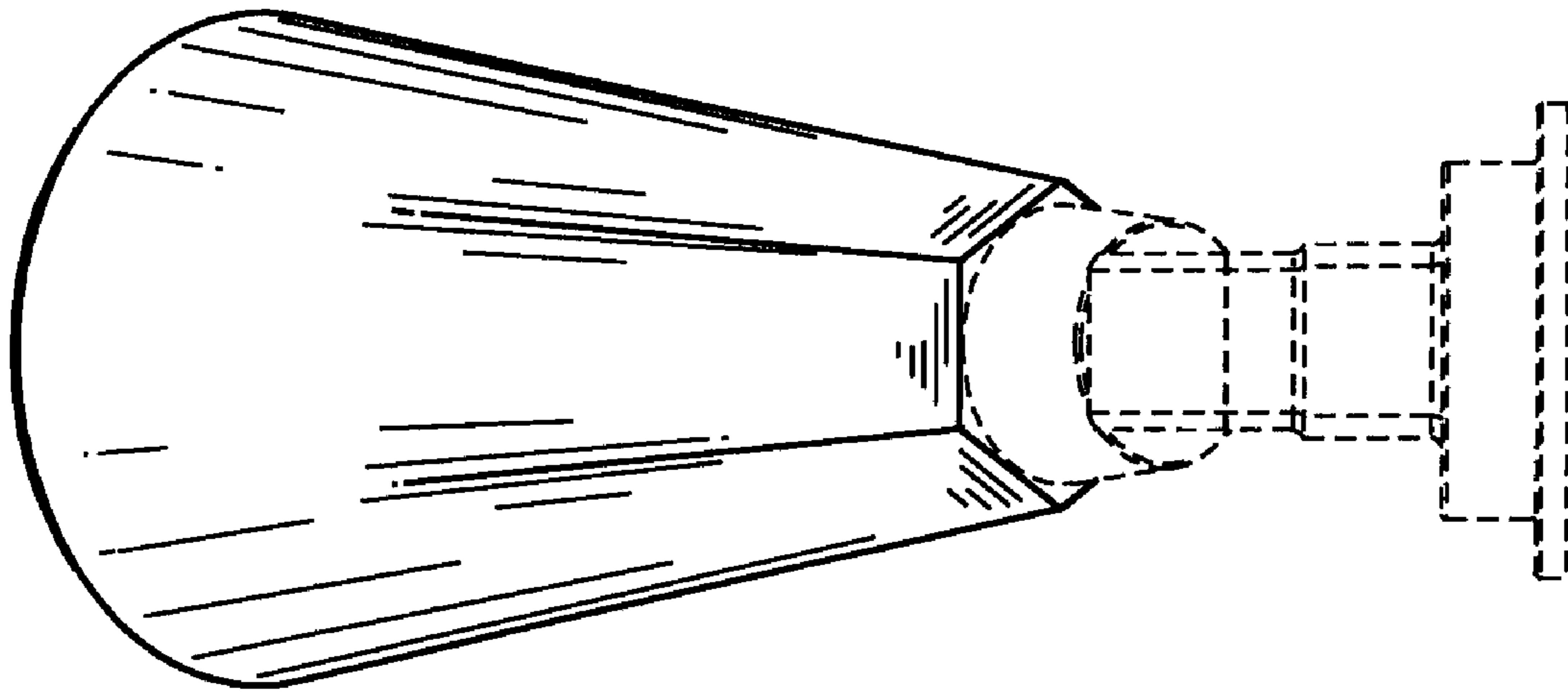


FIG. 5

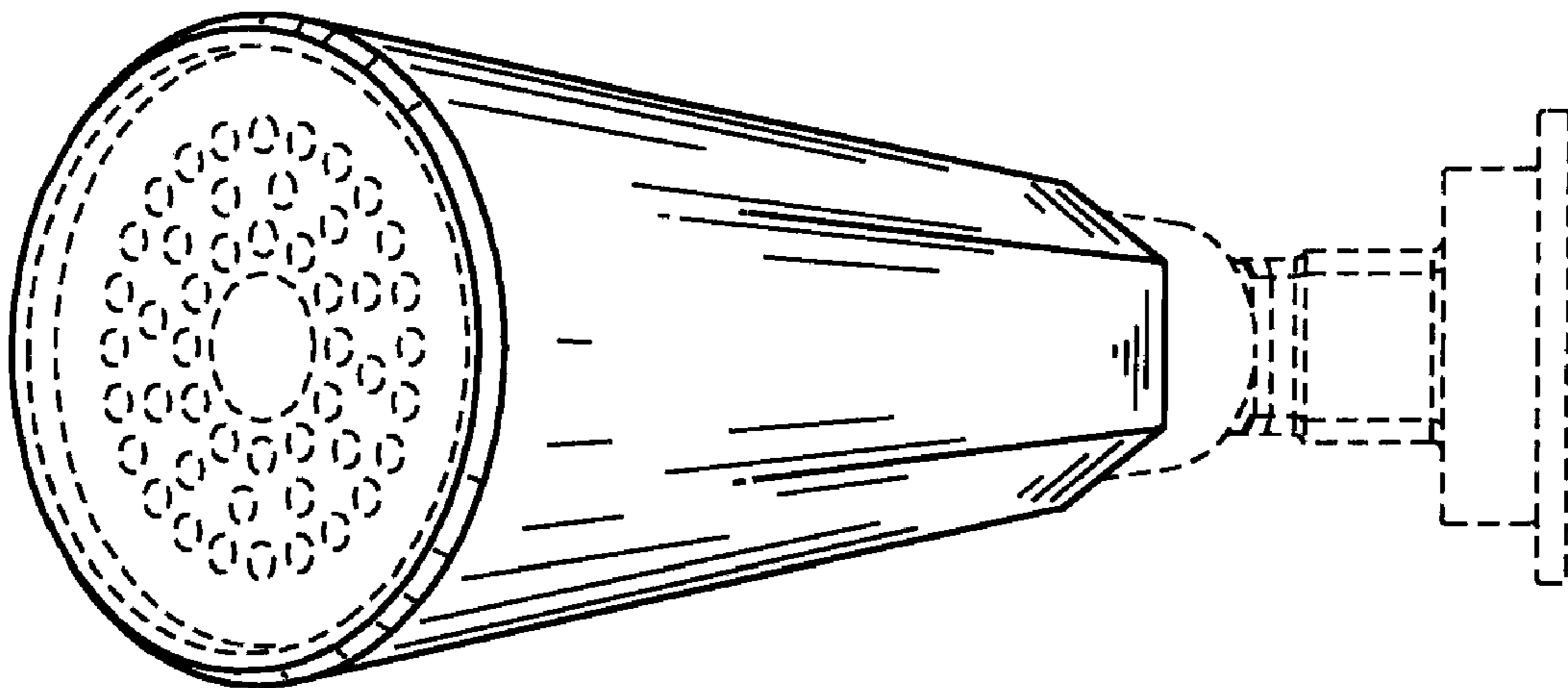


FIG. 6