



US00D617413S

(12) **United States Design Patent**
Wang

(10) **Patent No.:** **US D617,413 S**
(45) **Date of Patent:** **** Jun. 8, 2010**

(54) **FILTER FOR AN AQUARIUM**

D296,001 S * 5/1988 Ng D23/210
4,957,623 A * 9/1990 Henzlik 210/167.23

(75) Inventor: **Yu-Chin Wang**, Taipei (TW)

* cited by examiner

(73) Assignee: **Eiko Electric Products Corp.**, Taipei (TW)

Primary Examiner—Robin V Webster
(74) *Attorney, Agent, or Firm*—Guice Patents PLLC

(**) Term: **14 Years**

(57) **CLAIM**

(21) Appl. No.: **29/343,173**

The ornamental design for a filter for an aquarium, as shown and described.

(22) Filed: **Sep. 9, 2009**

(51) **LOC (9) Cl.** **23-01**

(52) **U.S. Cl.** **D23/210**

(58) **Field of Classification Search** D23/209,
D23/210; 210/167.21, 167.23, 167.25, 167.26
See application file for complete search history.

DESCRIPTION

FIG. 1 is a perspective view of a filter for an aquarium showing my new design;

FIG. 2 is a front elevation view thereof;

FIG. 3 is a rear elevation view thereof;

FIG. 4 is a left side elevation view thereof;

FIG. 5 is a right side elevation view thereof;

FIG. 6 is a top view thereof; and,

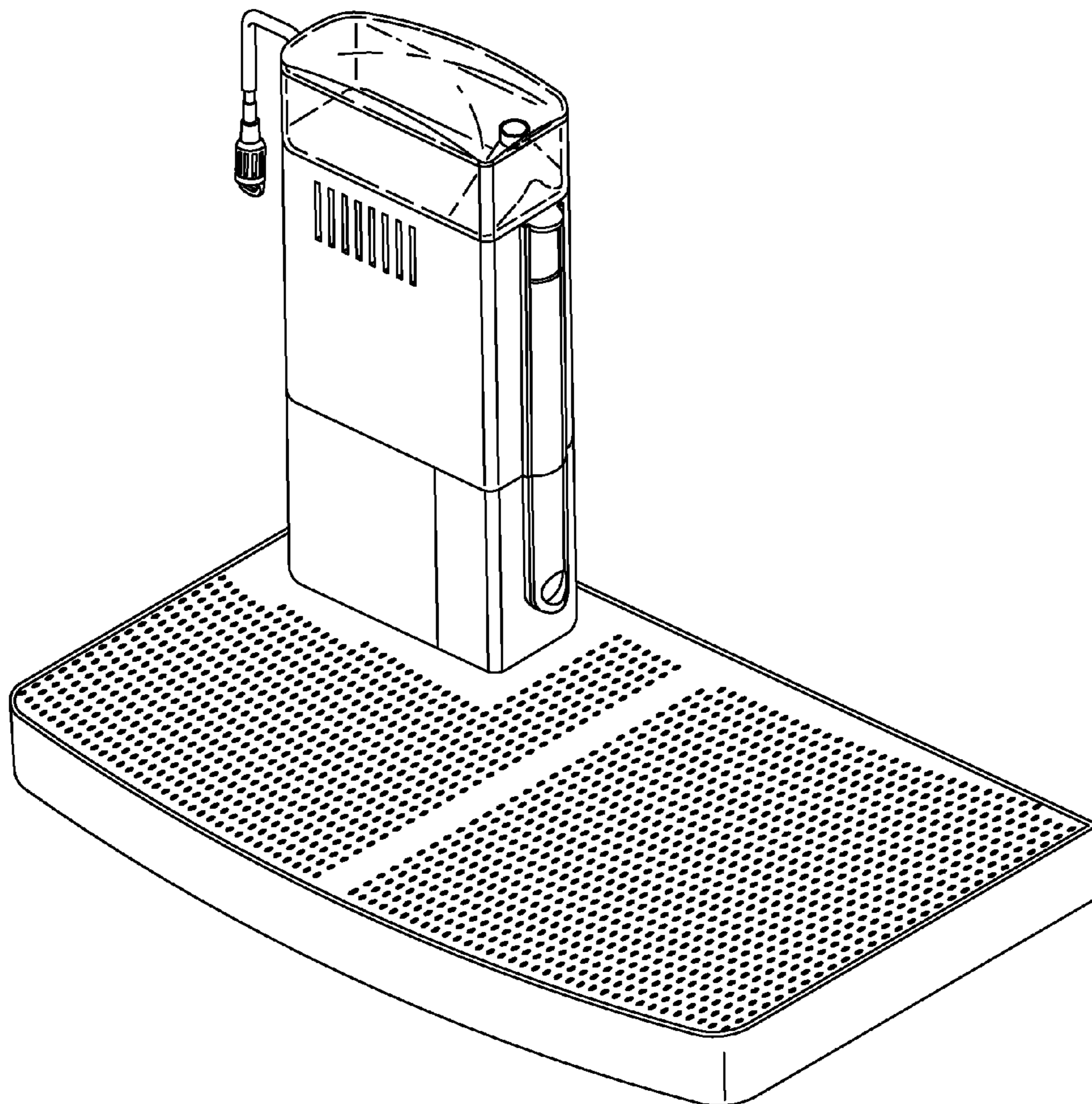
FIG. 7 is a bottom view thereof.

(56) **References Cited**

U.S. PATENT DOCUMENTS

D208,137 S * 7/1967 Gare D23/210
3,477,580 A * 11/1969 Willinger 210/167.23
D248,965 S * 8/1978 Willinger D23/210
D293,706 S * 1/1988 Ng D23/210

1 Claim, 4 Drawing Sheets



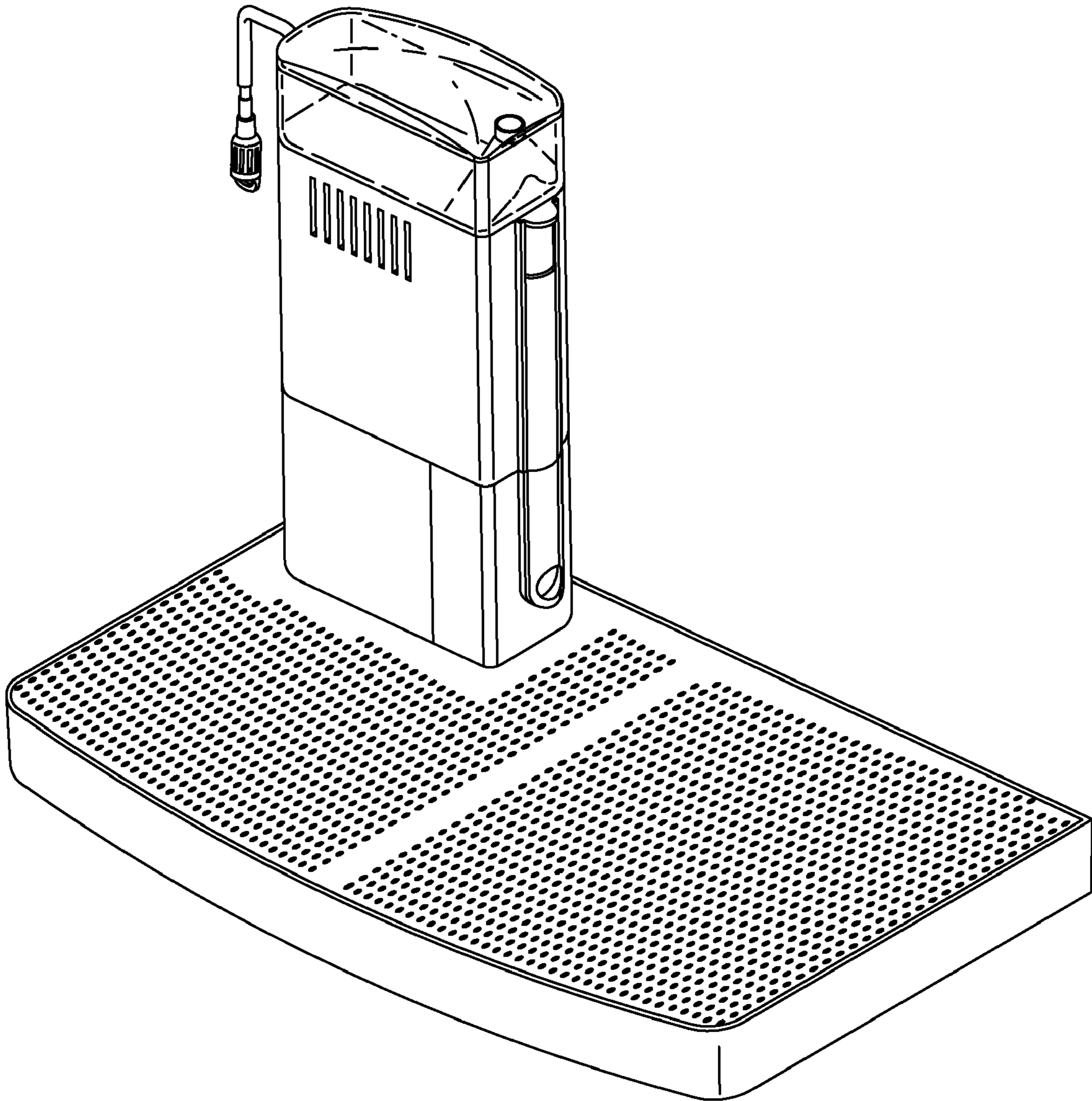


FIG. 1

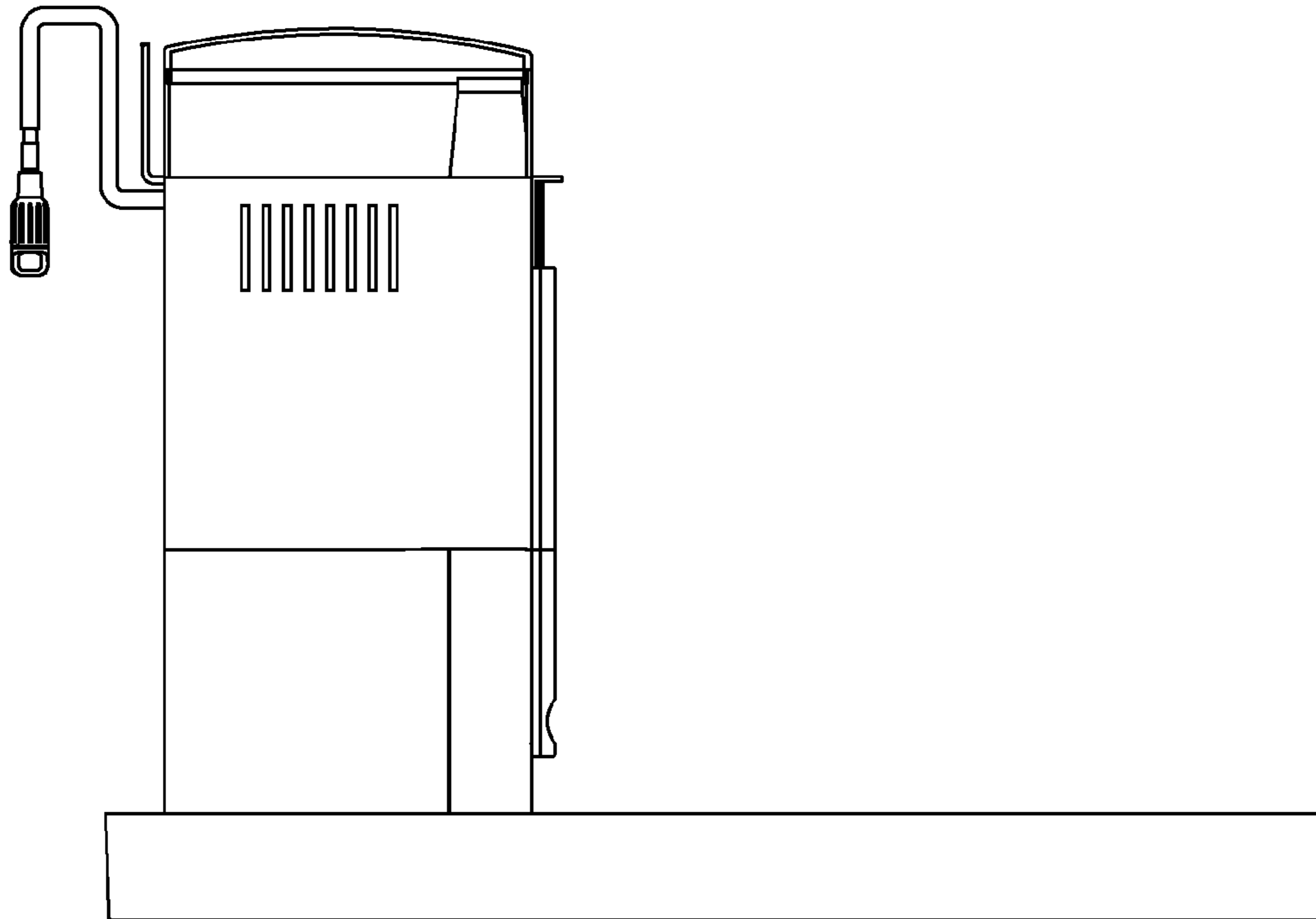


FIG. 2

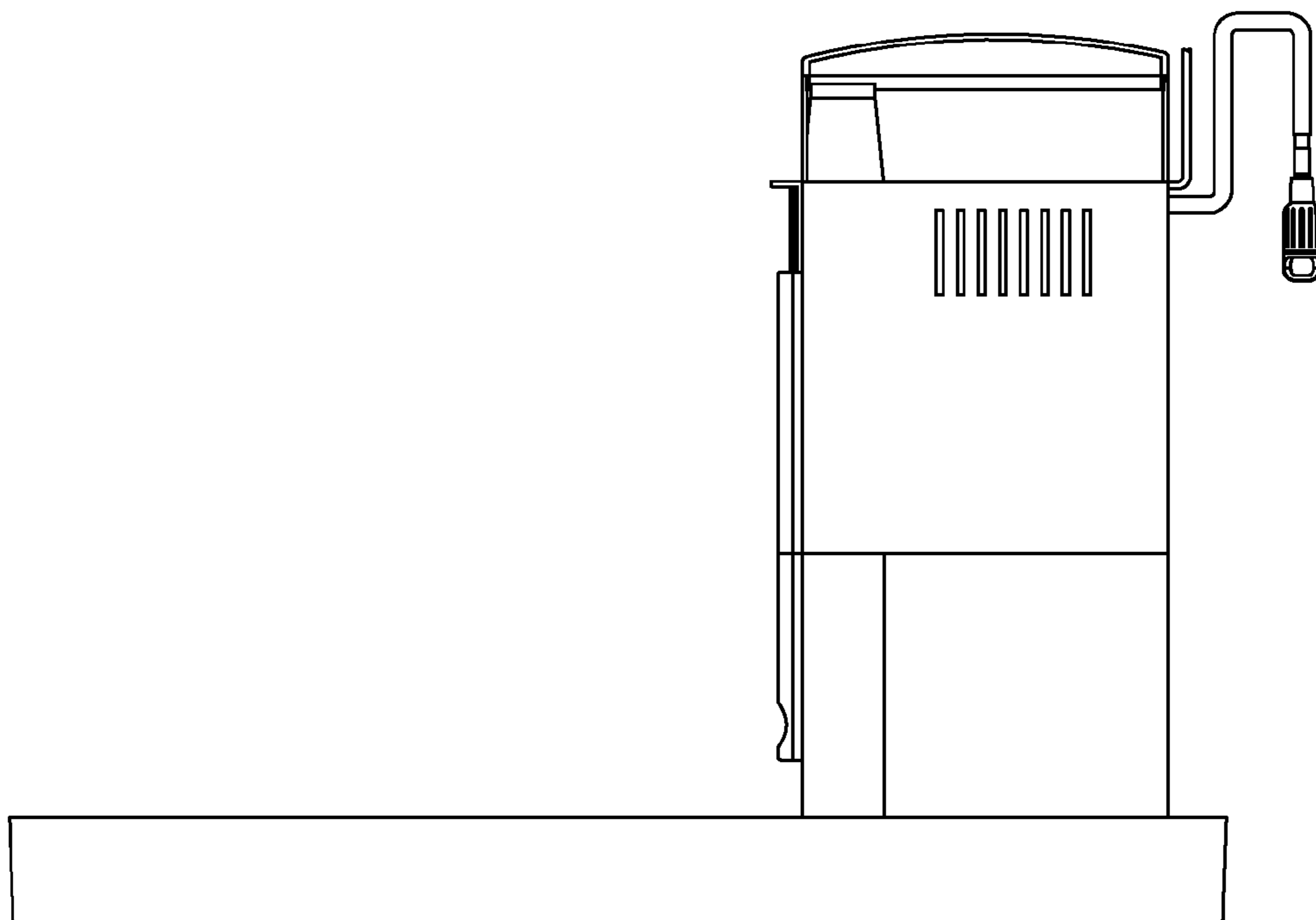


FIG. 3

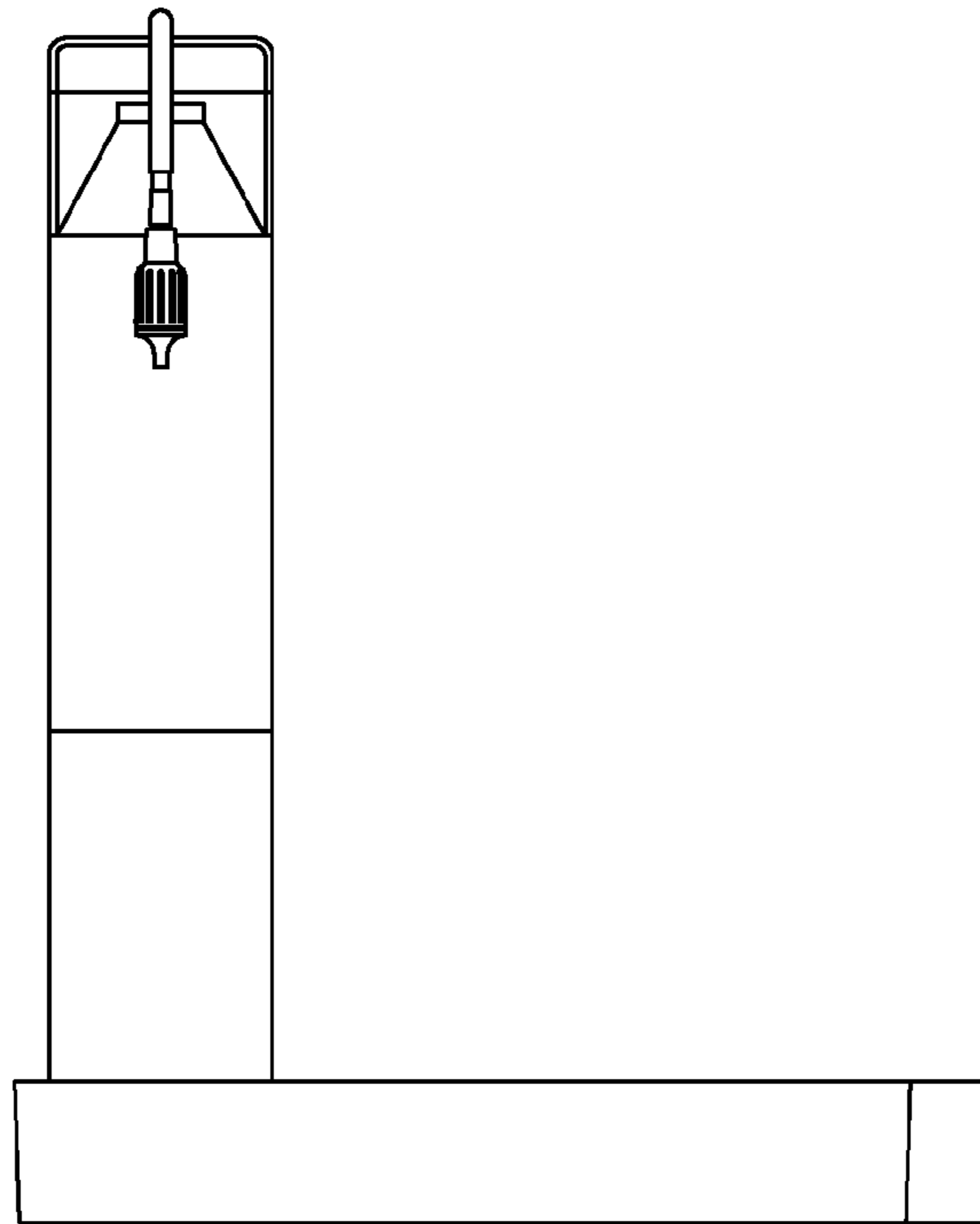


FIG. 4

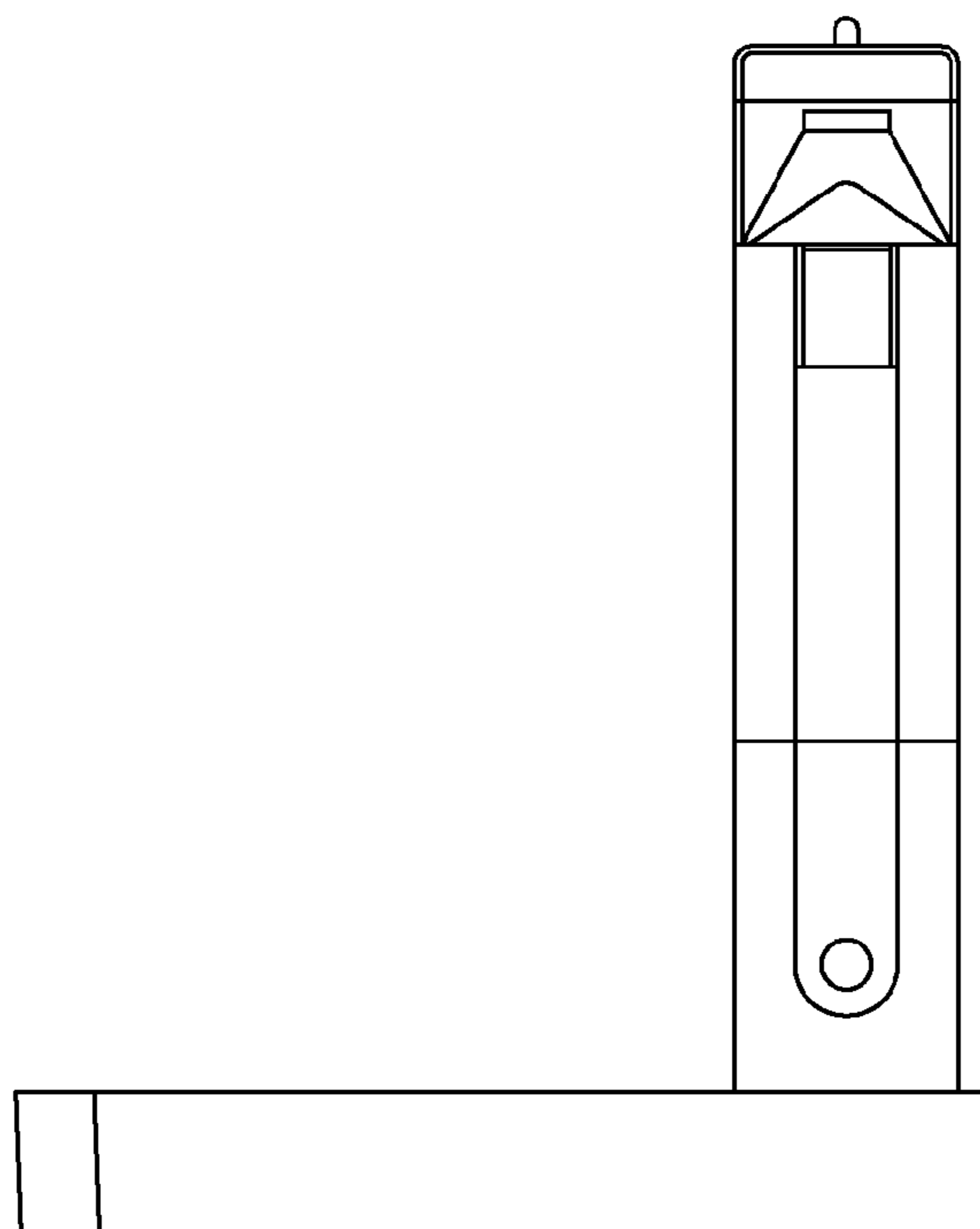


FIG. 5

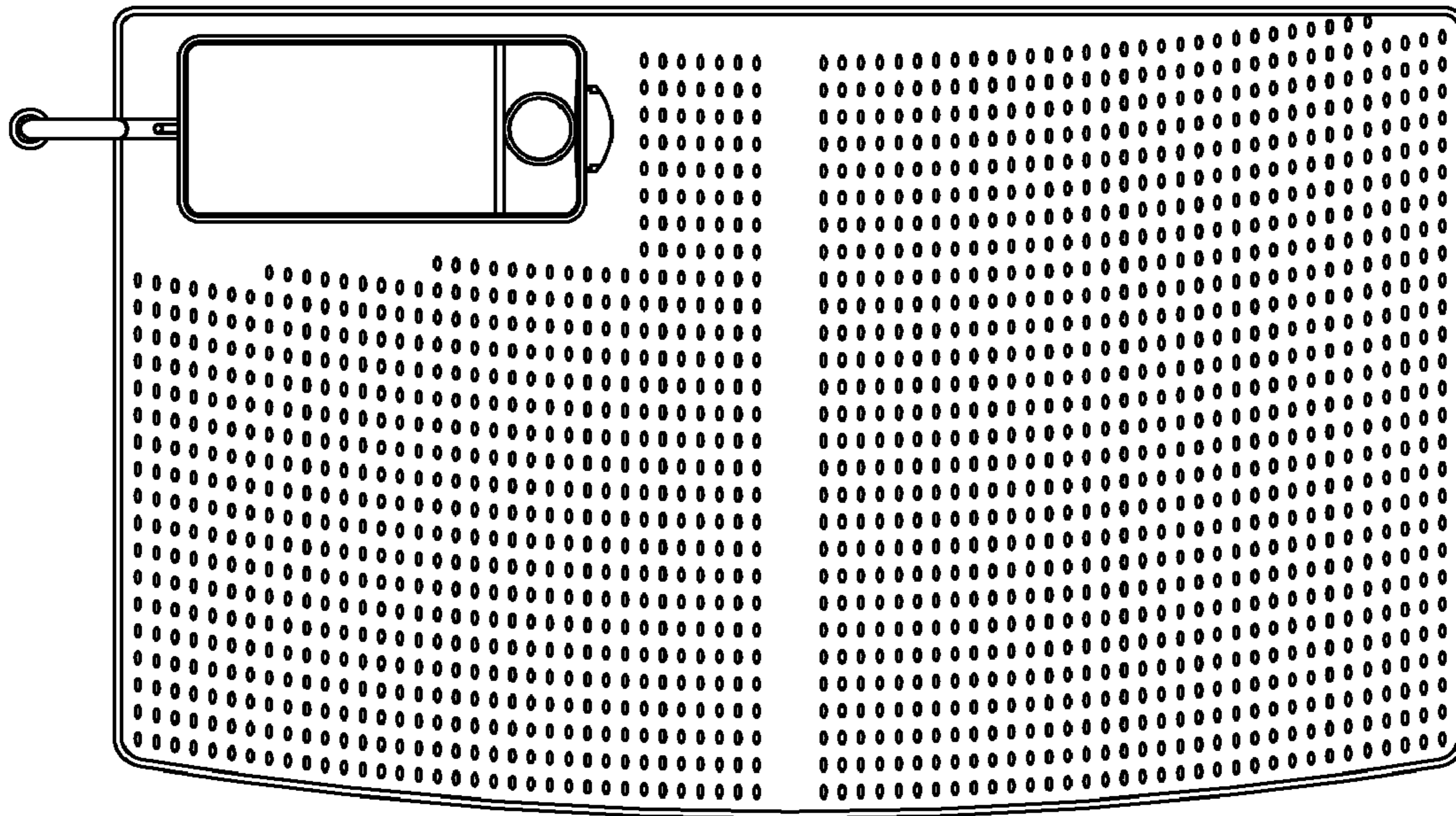


FIG. 6

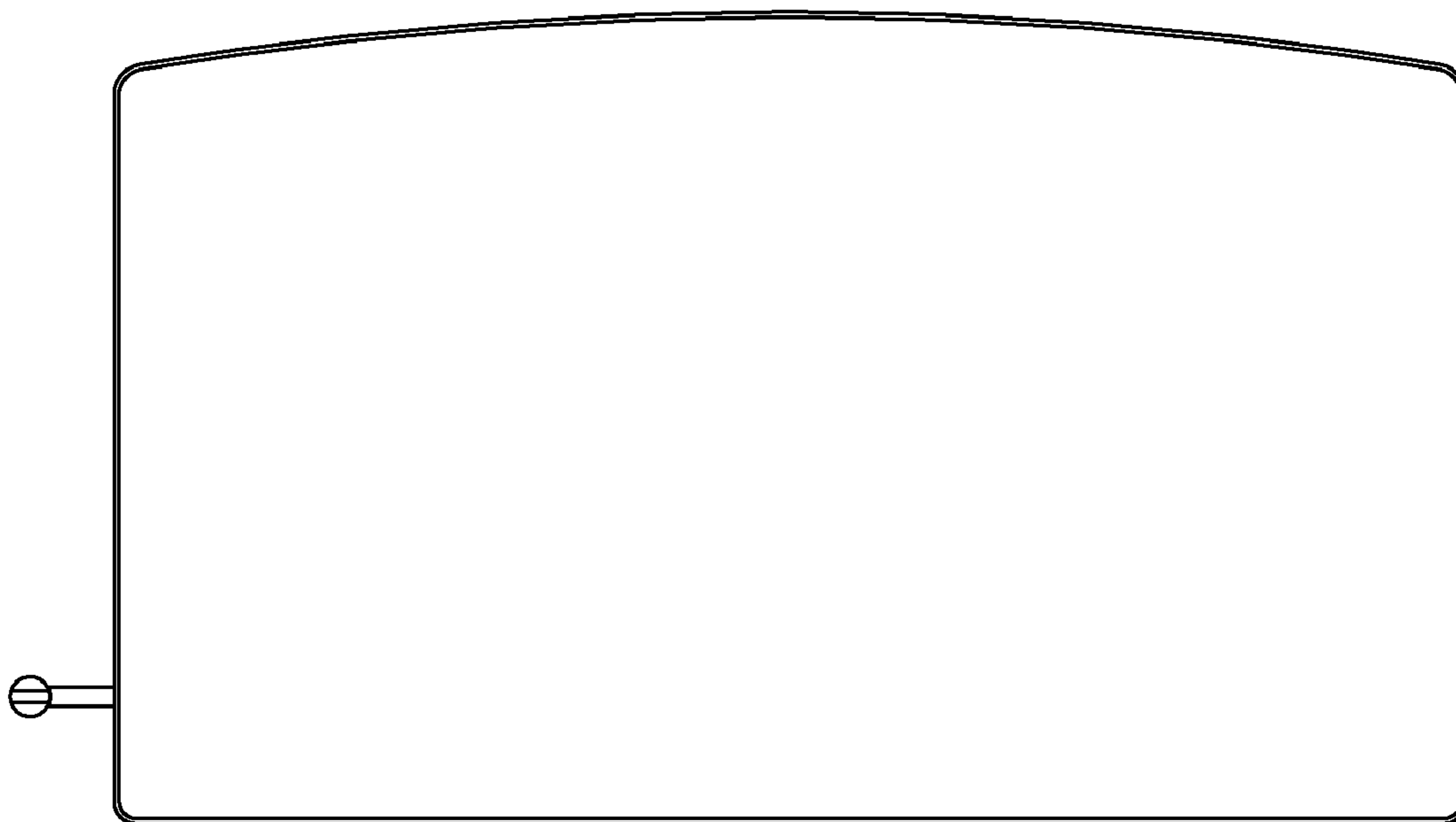


FIG. 7