



US00D617412S

(12) **United States Design Patent**  
**Hatfield**

(10) **Patent No.:** **US D617,412 S**  
(45) **Date of Patent:** **\*\* Jun. 8, 2010**

(54) **FISH HOOK**

(76) Inventor: **Marcus Craig Hatfield**, 3 Oriole Way,  
Morgantown, WV (US) 26508

(\*\*) Term: **14 Years**

(21) Appl. No.: **29/343,084**

(22) Filed: **Sep. 5, 2009**

**Related U.S. Application Data**

(63) Continuation-in-part of application No. 12/554,733,  
filed on Sep. 4, 2009.

(51) **LOC (9) Cl.** ..... **22-05**

(52) **U.S. Cl.** ..... **D22/144**

(58) **Field of Classification Search** ..... D22/144-146;  
43/44.83, 44.82, 43.16, 43.2, 43.4, 42.7

See application file for complete search history.

(56) **References Cited**

**U.S. PATENT DOCUMENTS**

794,695 A	7/1905	Bagnall	
1,497,710 A	6/1924	Cole	
1,974,381 A	9/1934	Swanson et al.	
2,233,863 A *	3/1941	Driscoll	43/43.16
2,651,134 A *	9/1953	Kemmerer	43/43.4
2,768,468 A	10/1956	Kibler et al.	
2,775,057 A	12/1956	Ludgate	
3,091,885 A	6/1963	Ulsh	
3,518,784 A	7/1970	Kling	
3,541,720 A	11/1970	Buffet	

3,648,399 A	3/1972	Lloyd	
3,778,918 A	12/1973	Emory et al.	
3,999,326 A *	12/1976	Wolf	43/42.7
4,696,121 A	9/1987	Hernden	
5,351,434 A	10/1994	Krenn	
D451,579 S	12/2001	Yong-Set	
6,748,694 B1	11/2004	Darling	
D501,039 S	1/2005	Duncan	

\* cited by examiner

*Primary Examiner*—Catherine R Oliver  
(74) *Attorney, Agent, or Firm*—Christopher Wood; Daniel Eisenberg; Wood & Eisenberg, PLLC

(57) **CLAIM**

The ornamental design for a fish hook, as shown and described.

**DESCRIPTION**

FIG. 1 is a perspective view of a fish hook showing my new design;

FIG. 2 is a right side view thereof;

FIG. 3 is a left side view thereof, the left side being a mirror image thereof;

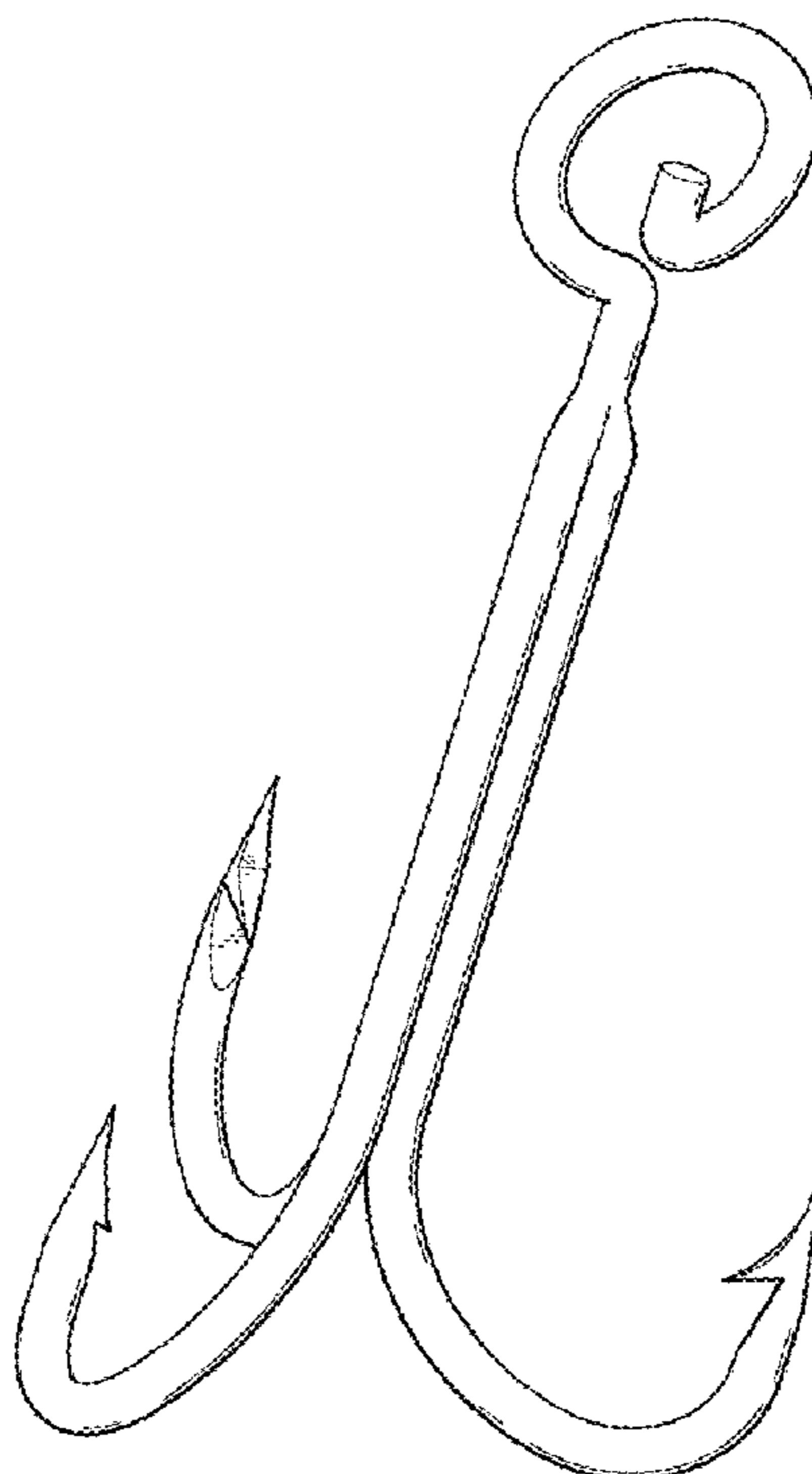
FIG. 4 is a front view thereof;

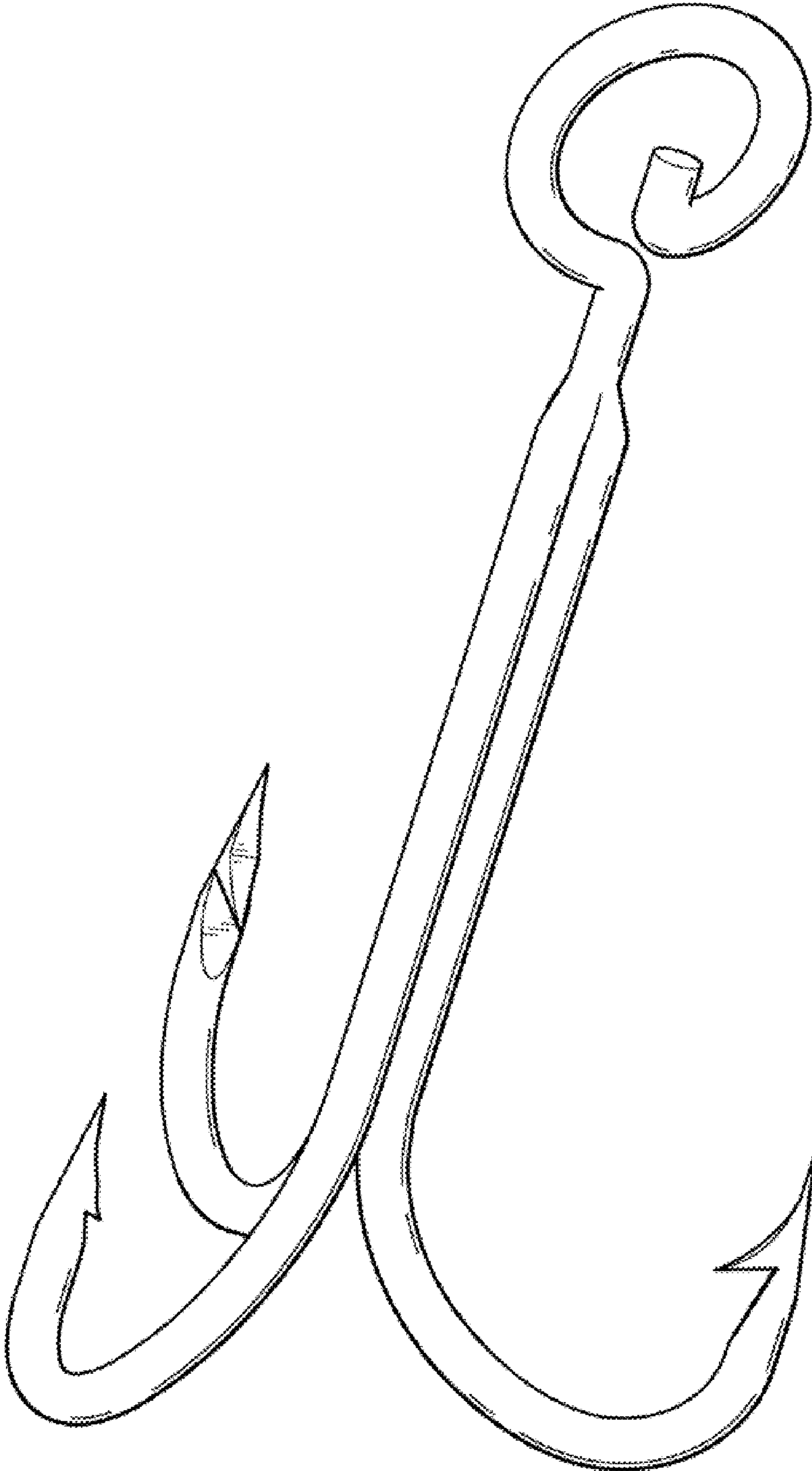
FIG. 5 is a rear view thereof;

FIG. 6 is a top view thereof; and,

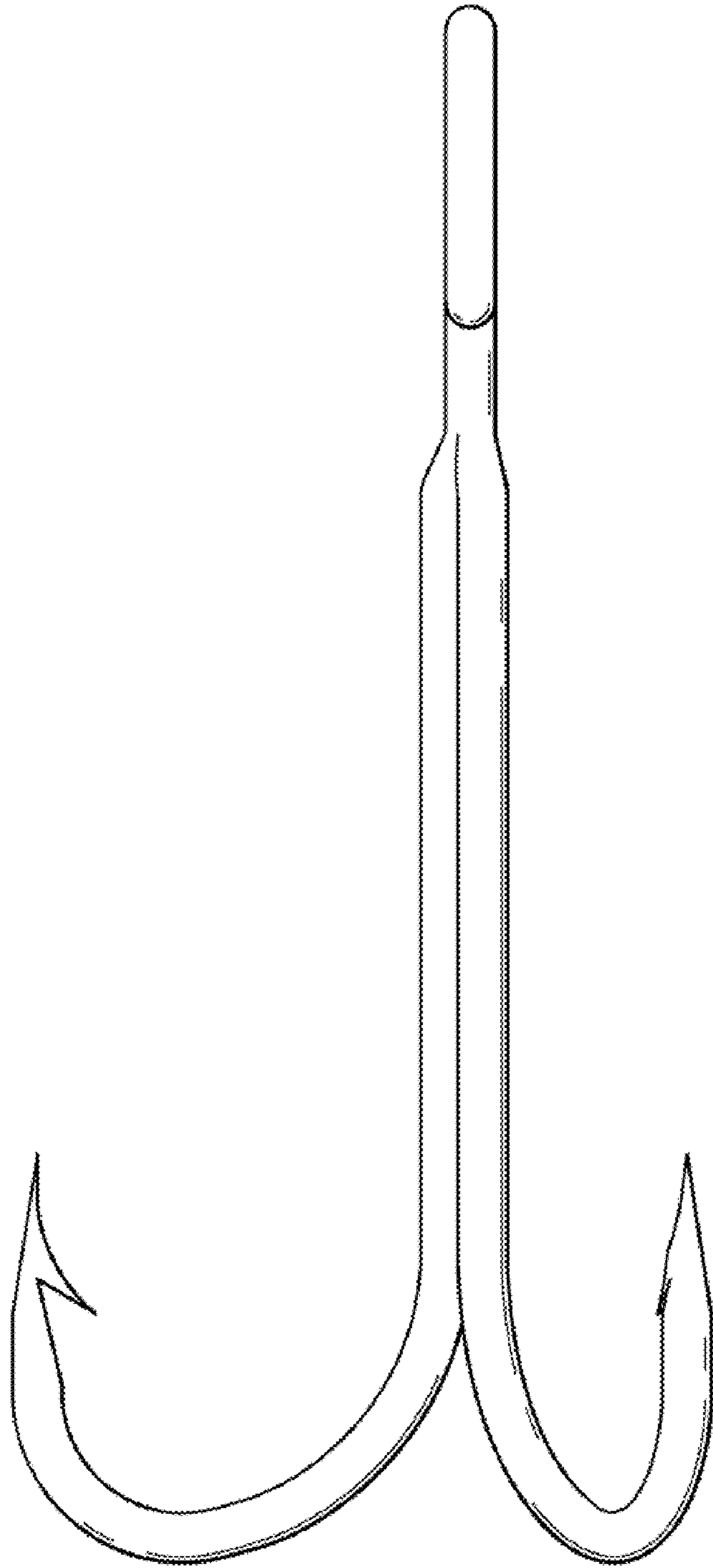
FIG. 7 is a bottom view thereof.

**1 Claim, 7 Drawing Sheets**

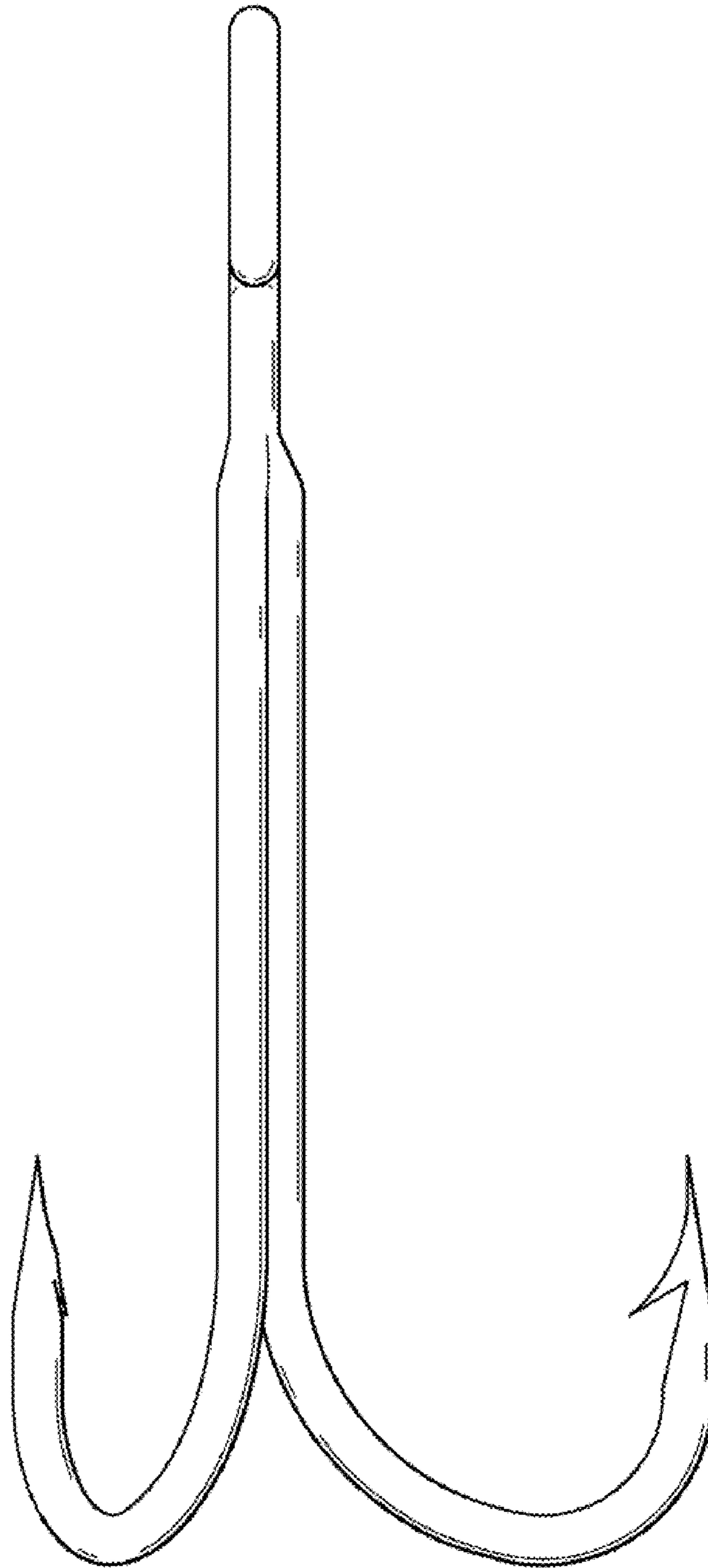




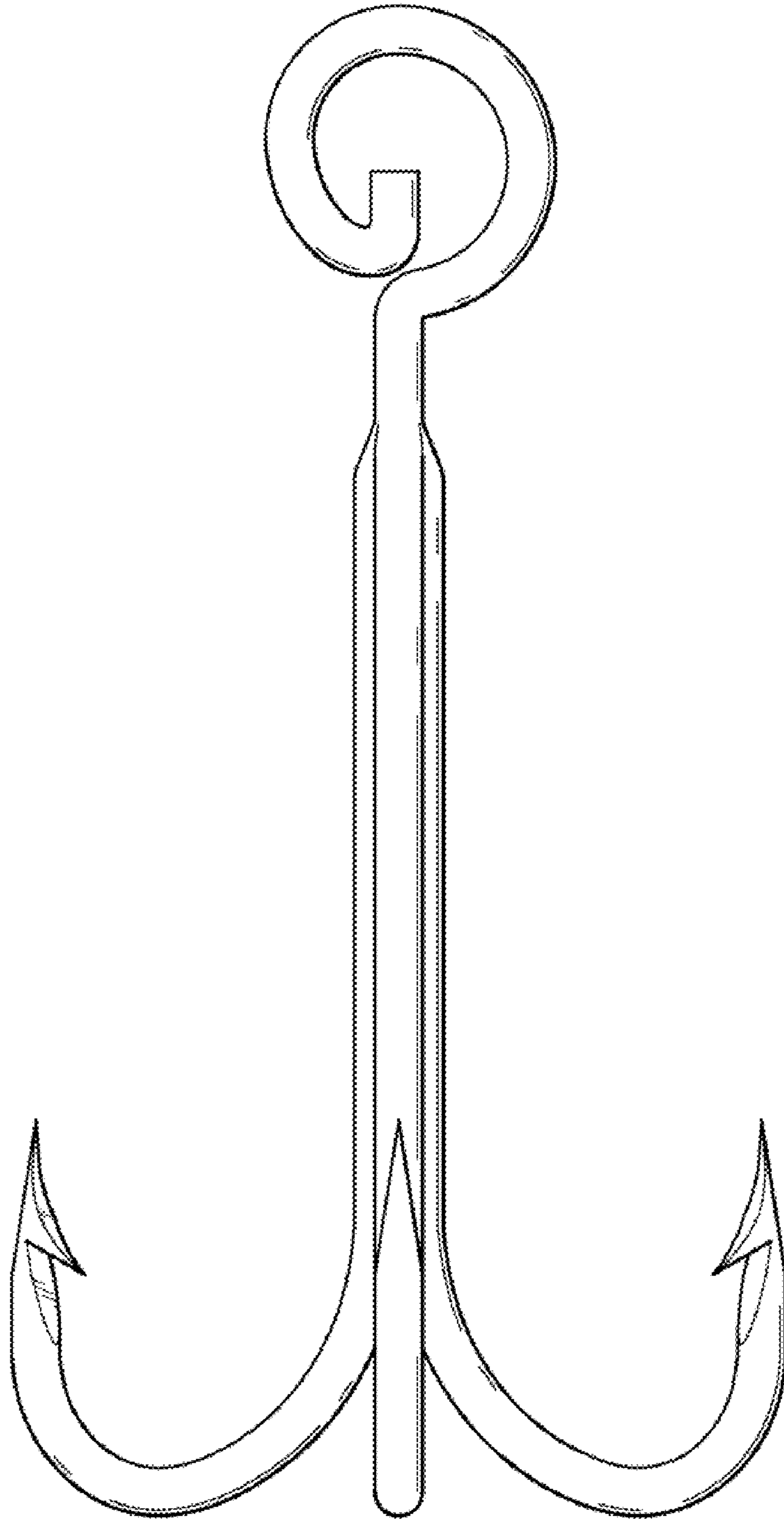
**FIG. 1**



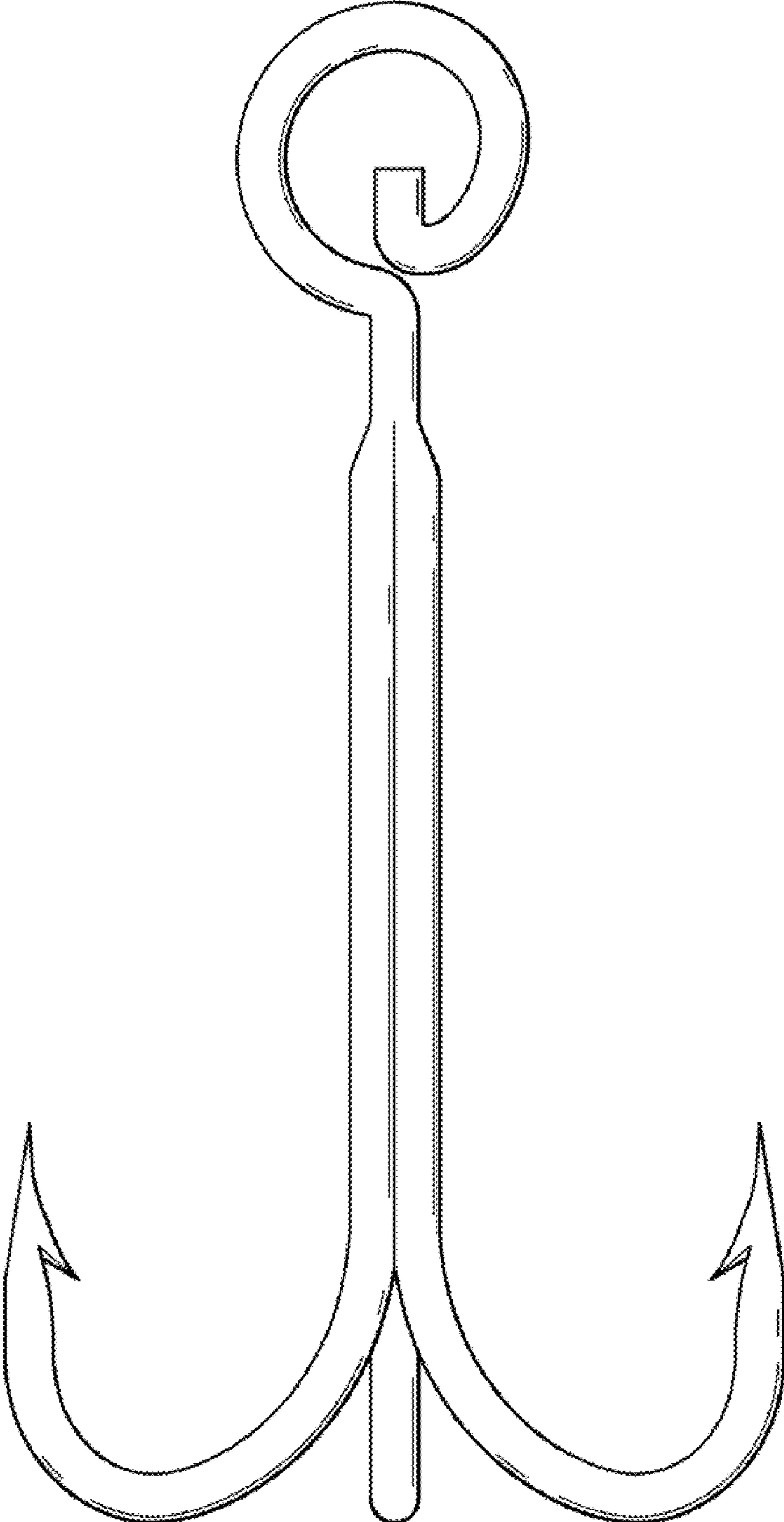
***FIG. 2***



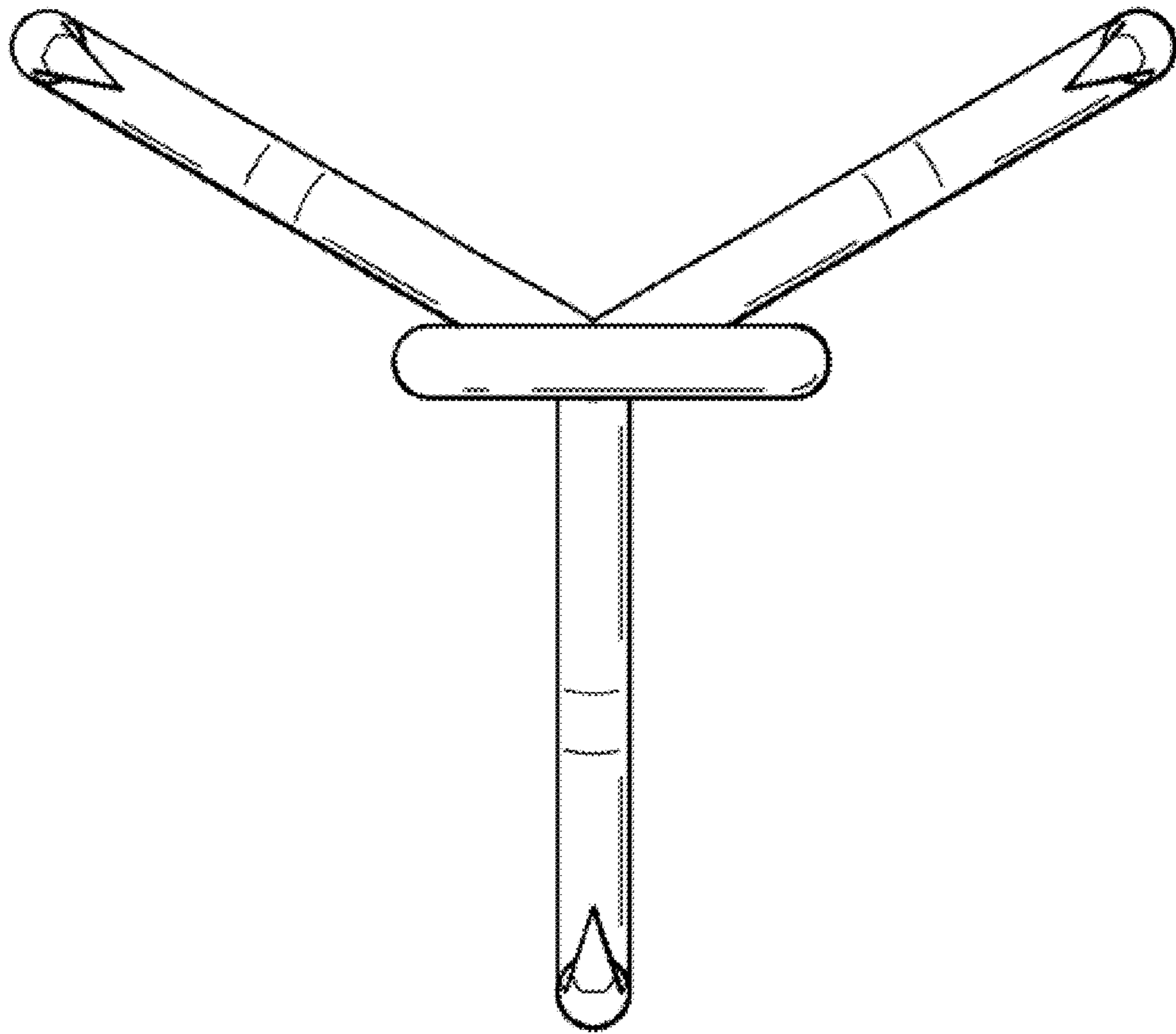
***FIG. 3***



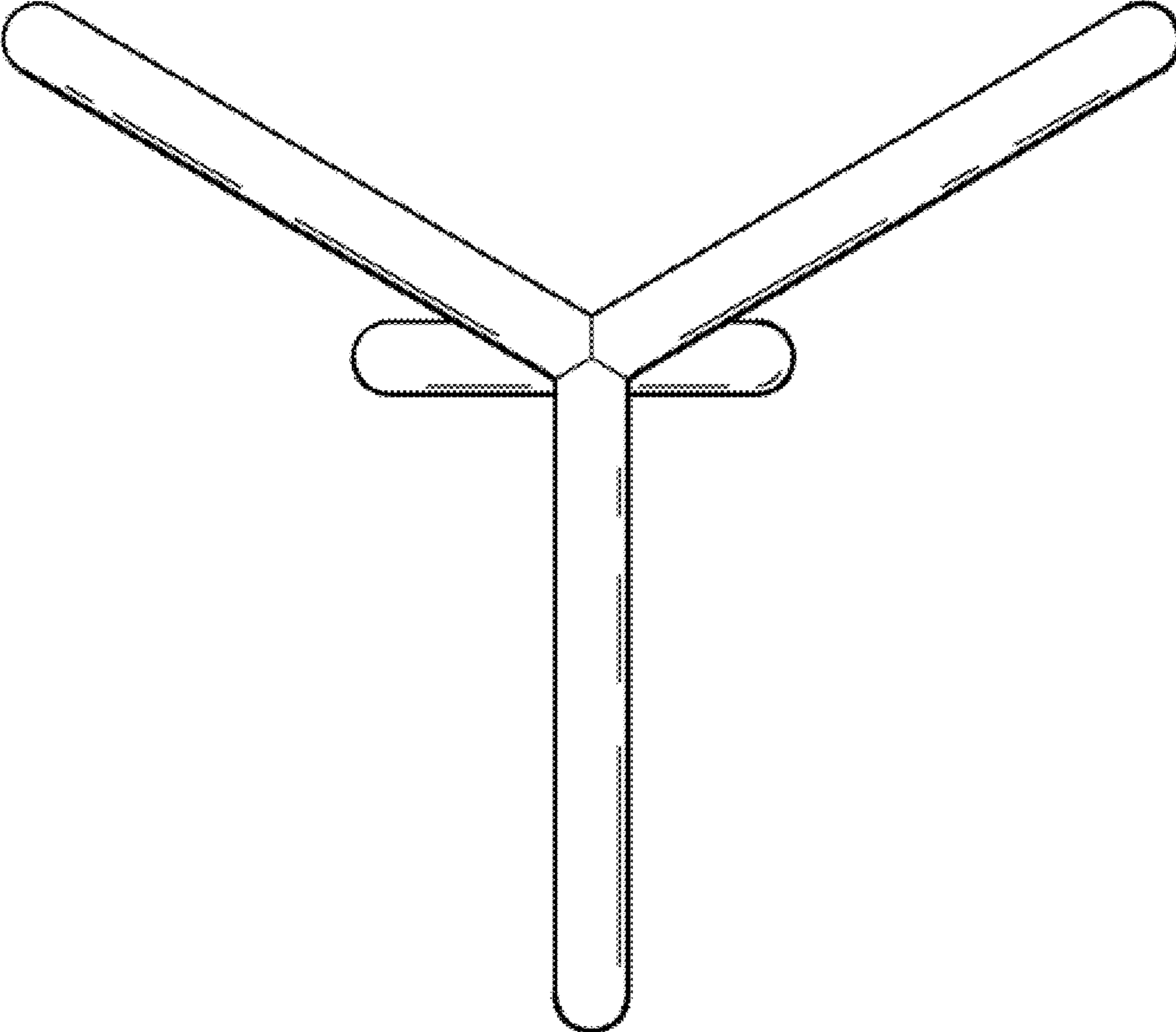
**FIG. 4**



***FIG. 5***



***FIG. 6***



***FIG. 7***