



US00D617411S

(12) **United States Design Patent**  
**Pennington**

(10) **Patent No.:** **US D617,411 S**

(45) **Date of Patent:** **\*\* Jun. 8, 2010**

(54) **STUN BATON**

(76) **Inventor:** **Billy Pennington**, 414 S. Pulaski St.,  
Suite 1, Little Rock, AR (US) 72201

(\*\*) **Term:** **14 Years**

(21) **Appl. No.:** **29/351,774**

(22) **Filed:** **Dec. 11, 2009**

(51) **LOC (9) Cl.** ..... **22-02**

(52) **U.S. Cl.** ..... **D22/117**

(58) **Field of Classification Search** ..... D22/117-120,  
D22/199; 224/914; 463/47.2-47.6; 222/39,  
222/153.11, 175, 183, 402.11; 42/1.01, 1.08  
See application file for complete search history.

(56) **References Cited**

**U.S. PATENT DOCUMENTS**

D204,765	S	*	5/1966	Black	.....	D22/117
4,843,336	A	*	6/1989	Kuo	.....	42/1.01
5,118,108	A	*	6/1992	Wilmoth, III	.....	463/47.6
D329,510	S	*	9/1992	Lin	.....	D22/117
D351,640	S	*	10/1994	de Anda et al.	.....	D22/117

D469,498	S	*	1/2003	Oscarsson	.....	D22/117
D504,712	S	*	5/2005	Powell	.....	D22/117
D532,859	S	*	11/2006	Stethem	.....	D22/117

\* cited by examiner

*Primary Examiner*—Catherine R Oliver

(74) *Attorney, Agent, or Firm*—Crossley Patent Law; Mark A. Crossley

(57) **CLAIM**

The ornamental design for a stun baton, as shown and described.

**DESCRIPTION**

FIG. 1 is a right elevation view of a stun baton showing my new design, the opposite side being a mirror image of the shown;

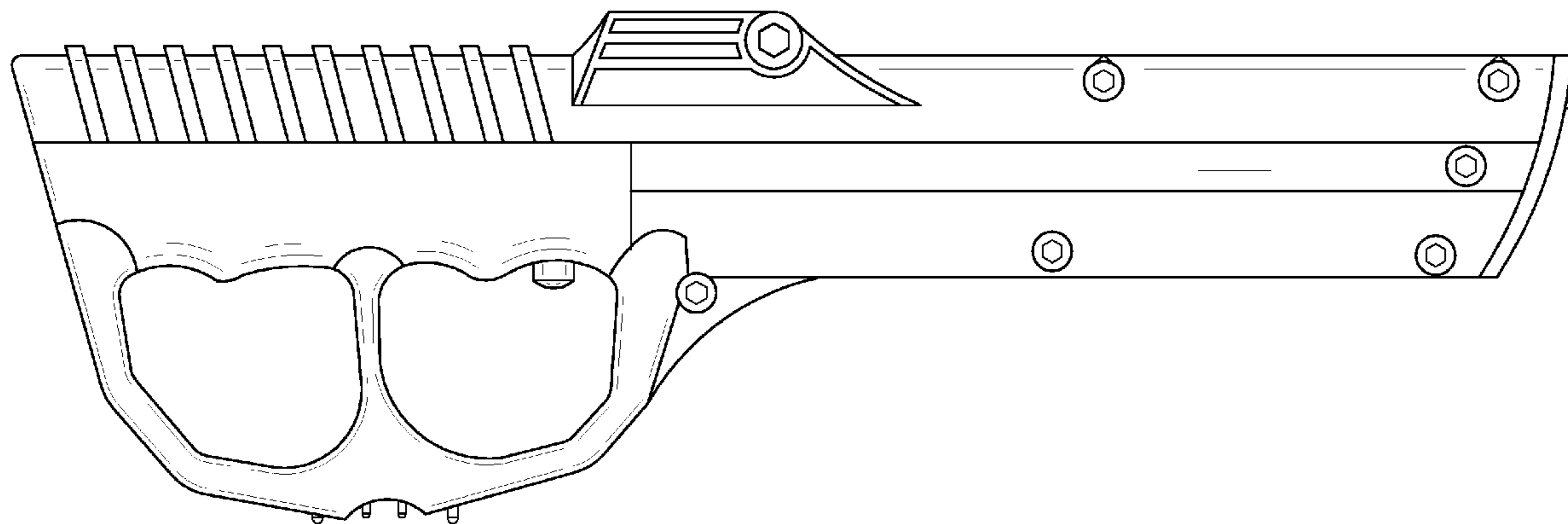
FIG. 2 is a rear elevation view thereof;

FIG. 3 is a front elevation view thereof;

FIG. 4 is a top plan view thereof; and,

FIG. 5 is a bottom plan view thereof.

**1 Claim, 3 Drawing Sheets**



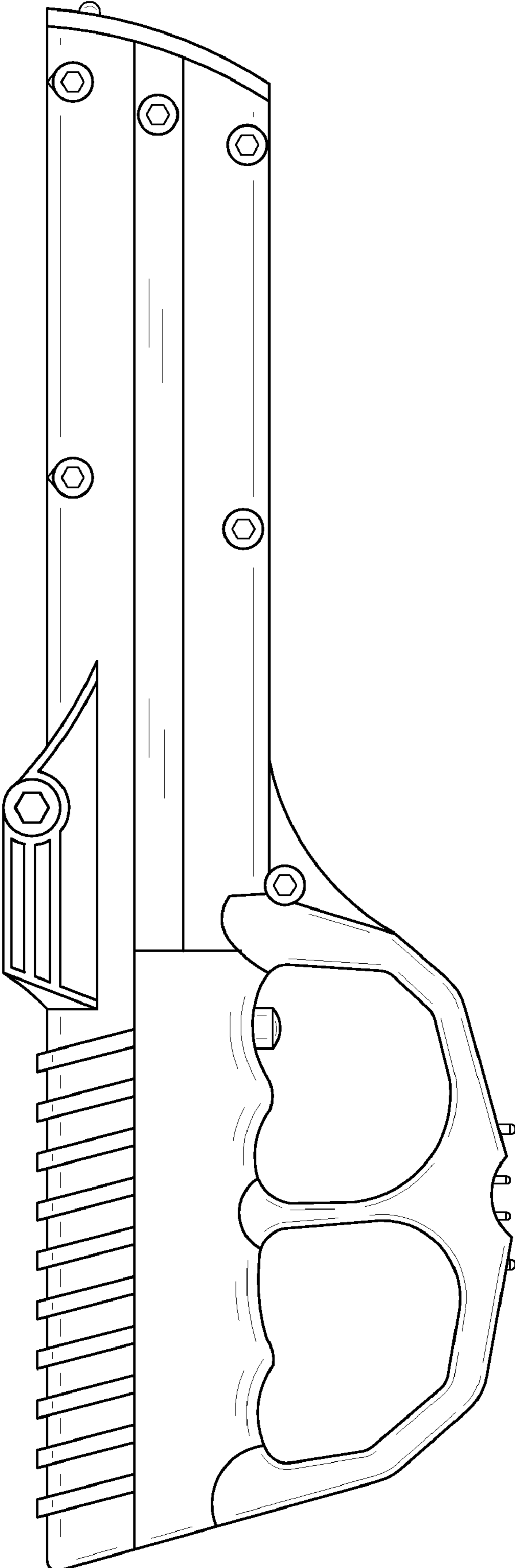


FIG. 1

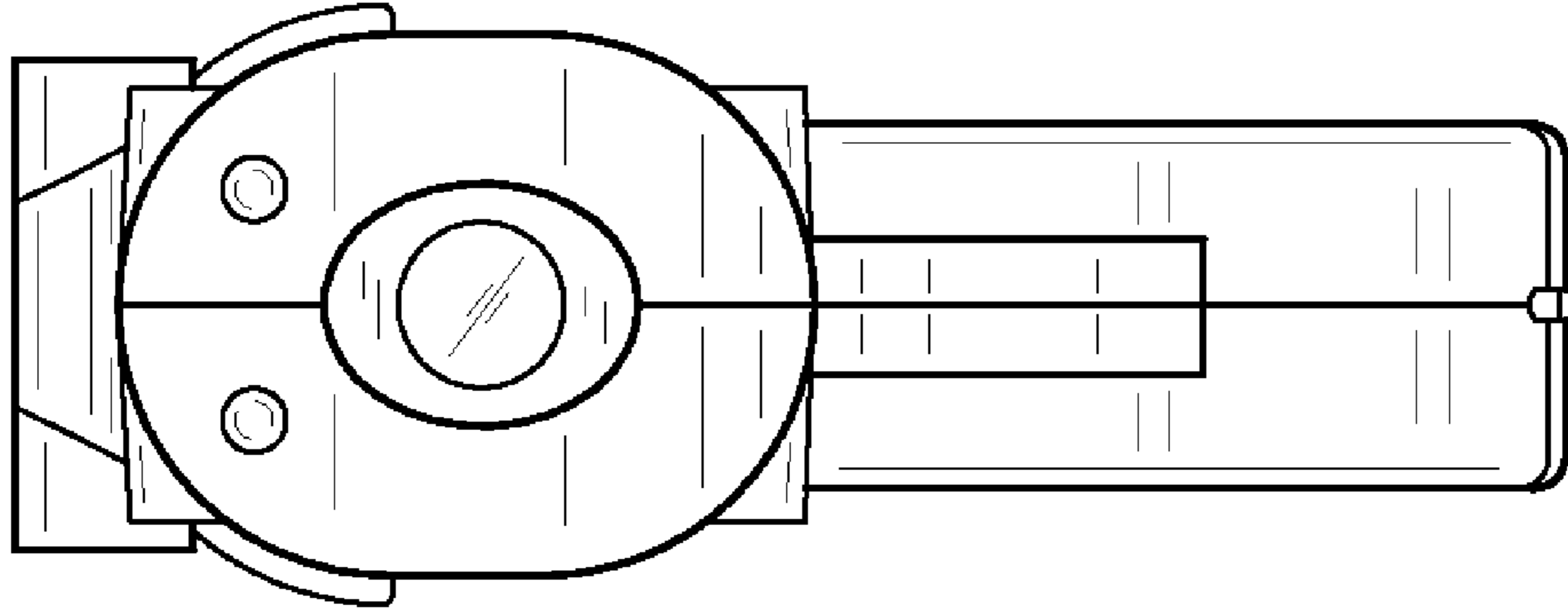


FIG. 2

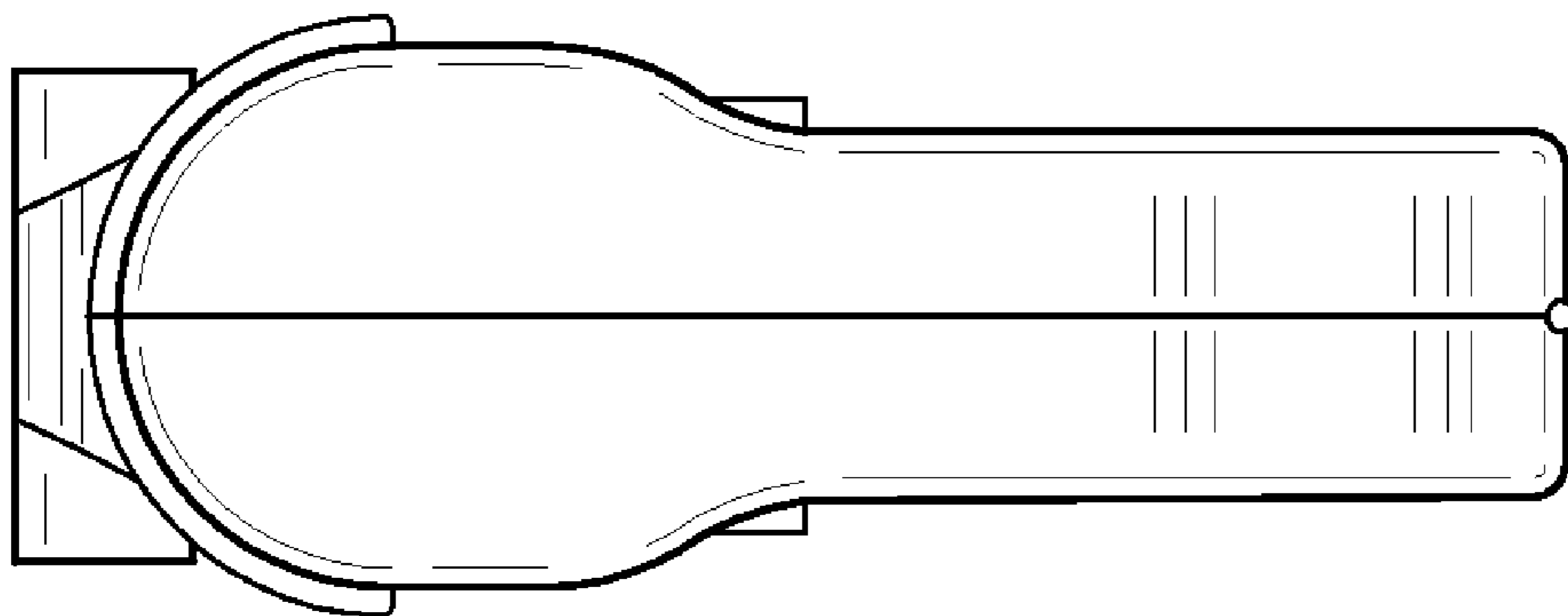


FIG. 3

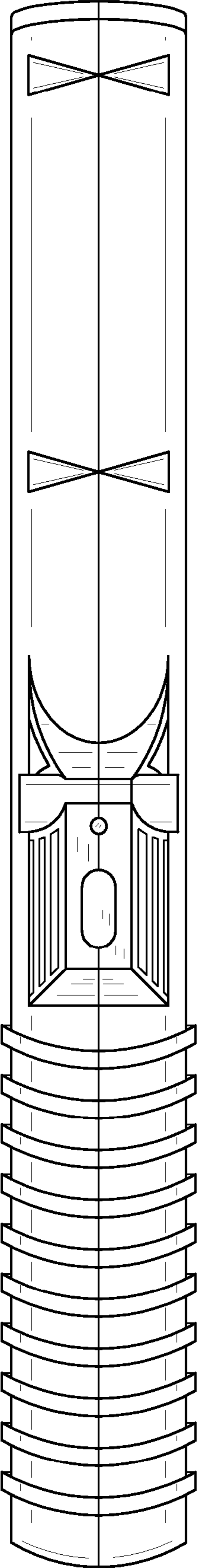


FIG. 4

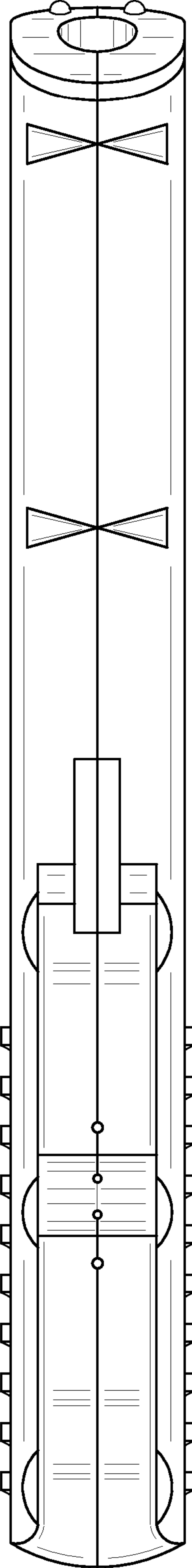


FIG. 5