



US00D617410S

(12) **United States Design Patent**
Ficarro

(10) **Patent No.:** **US D617,410 S**
(45) **Date of Patent:** **** Jun. 8, 2010**

(54) **ARCHERY BOW STAND**

(76) Inventor: **Steve T. Ficarro**, 92 Elm Ridge Rd.,
Princeton, NJ (US) 08540

(**) Term: **14 Years**

(21) Appl. No.: **29/306,527**

(22) Filed: **Apr. 10, 2008**

(51) **LOC (9) Cl.** **22-01**

(52) **U.S. Cl.** **D22/107**

(58) **Field of Classification Search** D22/100,
D22/101, 108, 109, 199; D6/552; 42/94;
124/23.1; 248/125.3, 156; 211/64; 224/916
See application file for complete search history.

(56) **References Cited**

U.S. PATENT DOCUMENTS

5,106,044	A *	4/1992	Regard et al.	248/169
5,205,272	A *	4/1993	Boyer	124/89
5,240,211	A *	8/1993	Anderson	248/125.3
D382,034	S *	8/1997	Dullinger	D22/107
D406,302	S *	3/1999	Simpson et al.	D22/107
5,967,130	A *	10/1999	Sugauchi	124/23.1
6,029,120	A *	2/2000	Dilger	702/142
D422,333	S *	4/2000	Foster et al.	D22/107
6,957,648	B1 *	10/2005	Adcock	124/86
7,156,086	B1 *	1/2007	Wells	124/89
2005/0150484	A1 *	7/2005	Horn	124/86
2005/0229912	A1 *	10/2005	Pilpel et al.	124/86

2008/0121540 A1* 5/2008 Pierce 206/315.11

* cited by examiner

Primary Examiner—T. Chase Nelson

Assistant Examiner—Michael A Pratt

(74) *Attorney, Agent, or Firm*—DeMont & Breyer, LLC

(57) **CLAIM**

The ornamental design for an archery bow stand, as shown and described.

DESCRIPTION

FIG. 1 is a side perspective view of a design for an archery bow stand.

FIG. 2 is a three-quarters perspective view of the design for an archery bow stand that is depicted in FIG. 1.

FIG. 3 is the three-quarters perspective view of the design for an archery bow stand that is depicted in FIG. 2, wherein two archery bows and arrows are depicted in conjunction with the archery bow stand.

FIG. 4 is a side view of the archery bow stand that is depicted in FIG. 1, but with the unclaimed grip removed; and,

FIG. 5 is a back view of the design for an archery bow stand that is depicted in FIG. 4.

The broken lines showing other elements of the archery bow stand, the archery bows, and arrows are for illustrative purposes only and form no part of the claimed design.

1 Claim, 5 Drawing Sheets

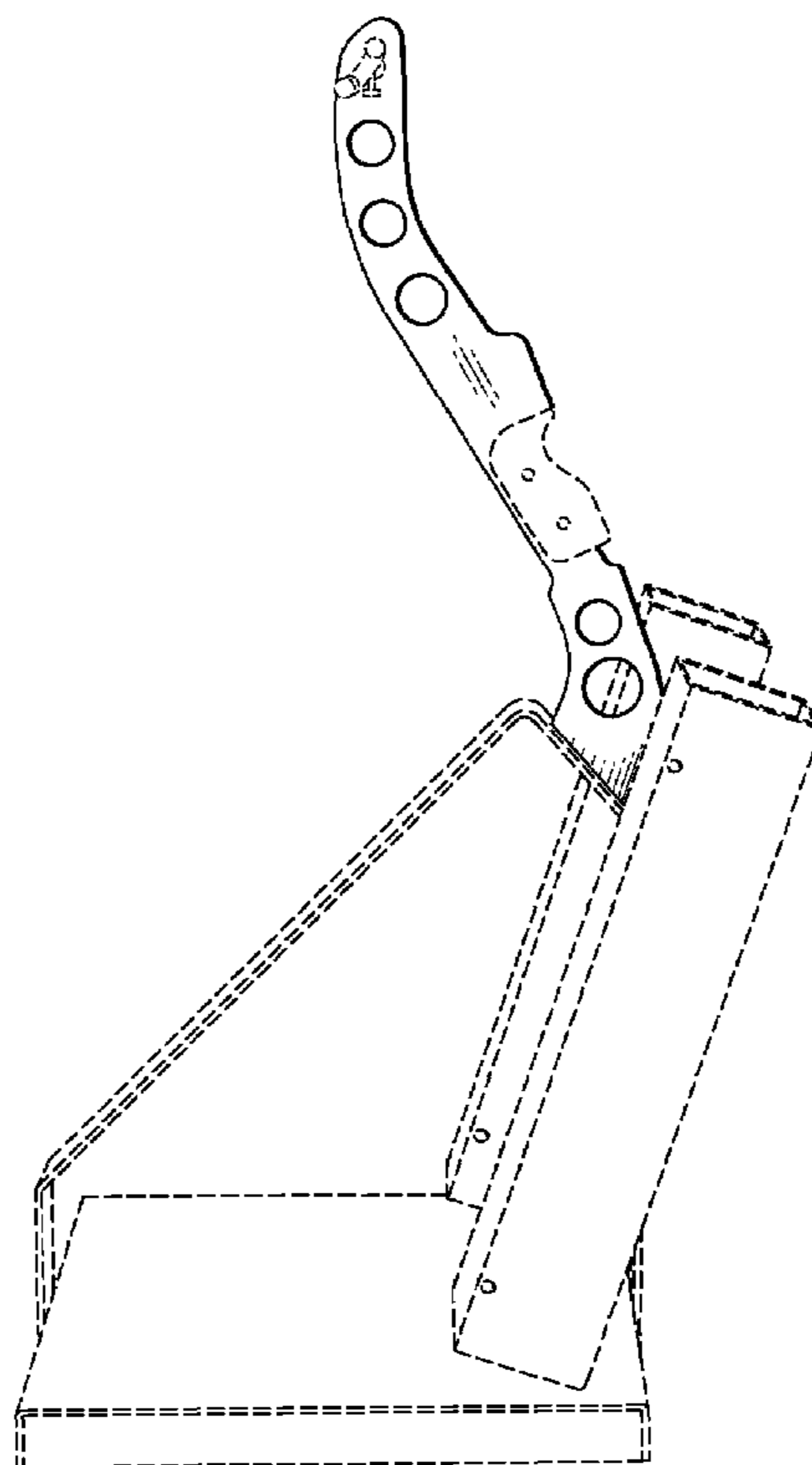


FIG. 1

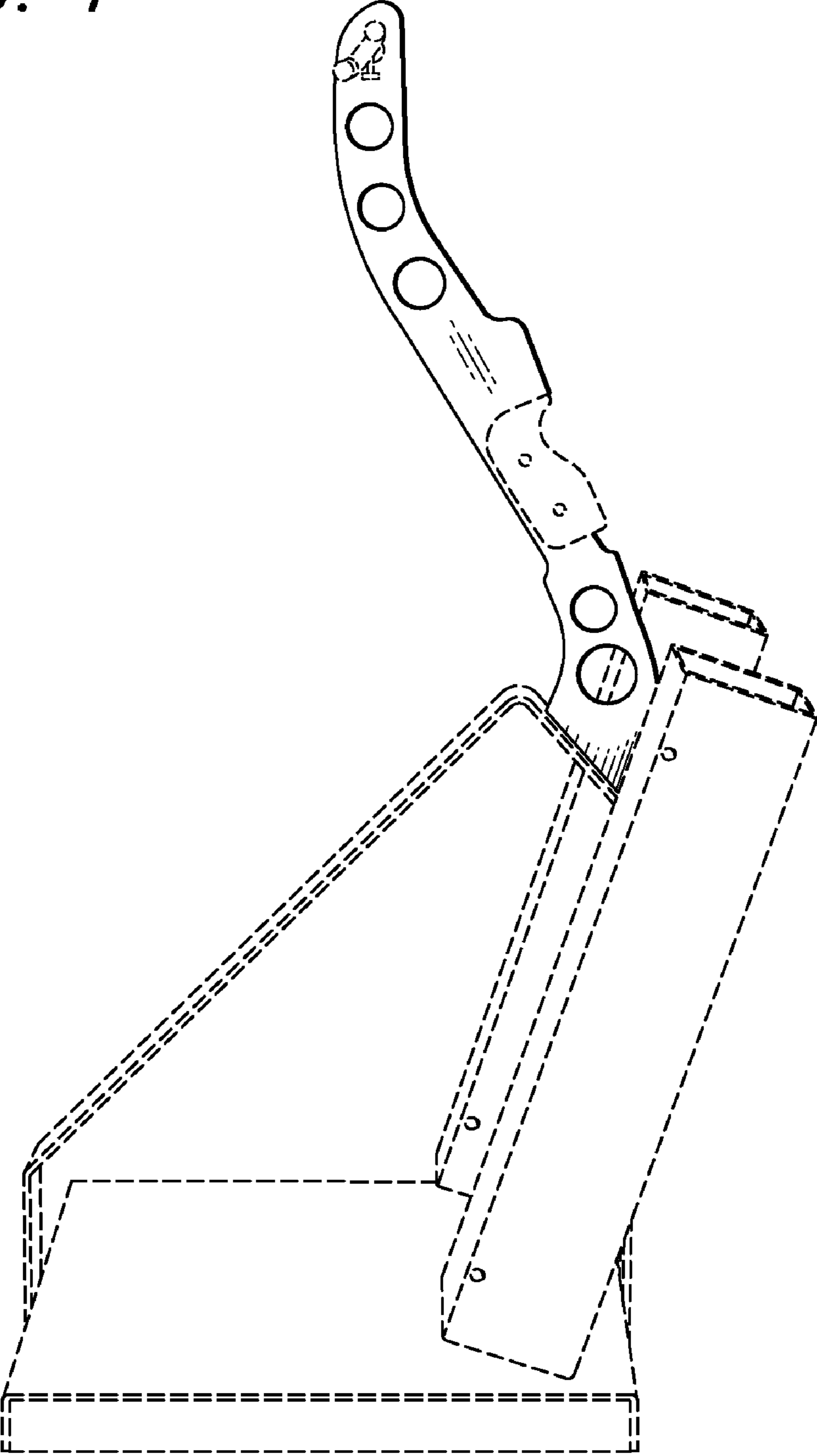


FIG. 2

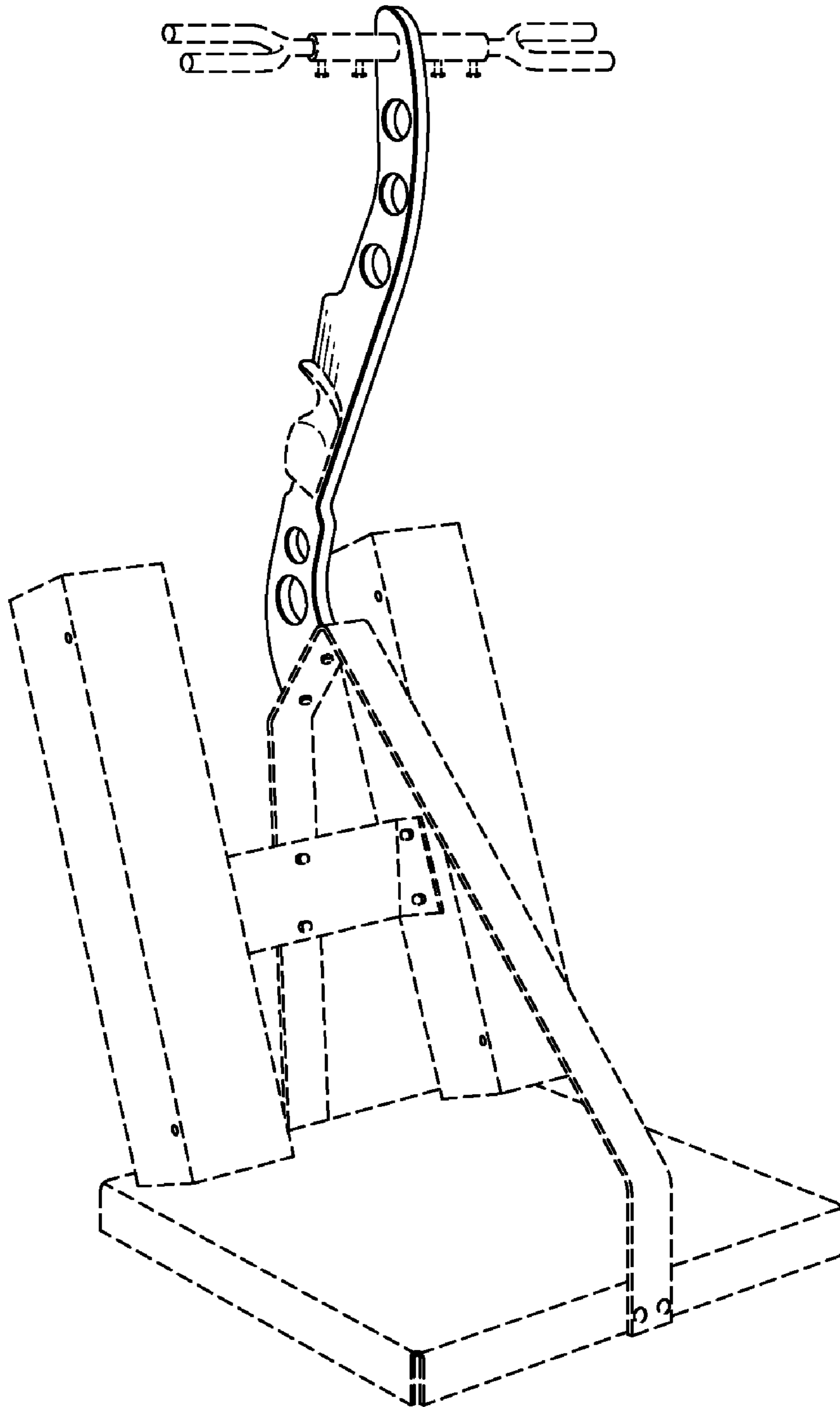


FIG. 3

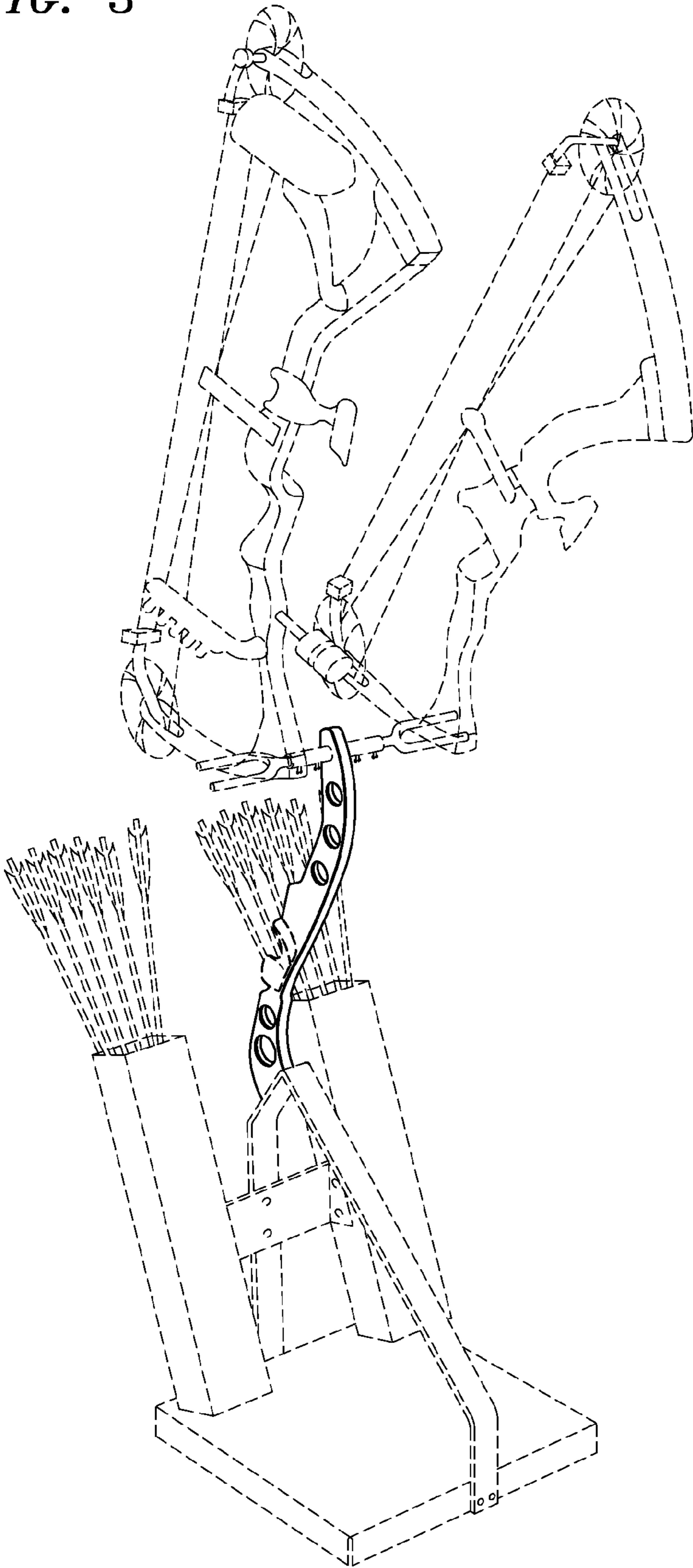


FIG. 4

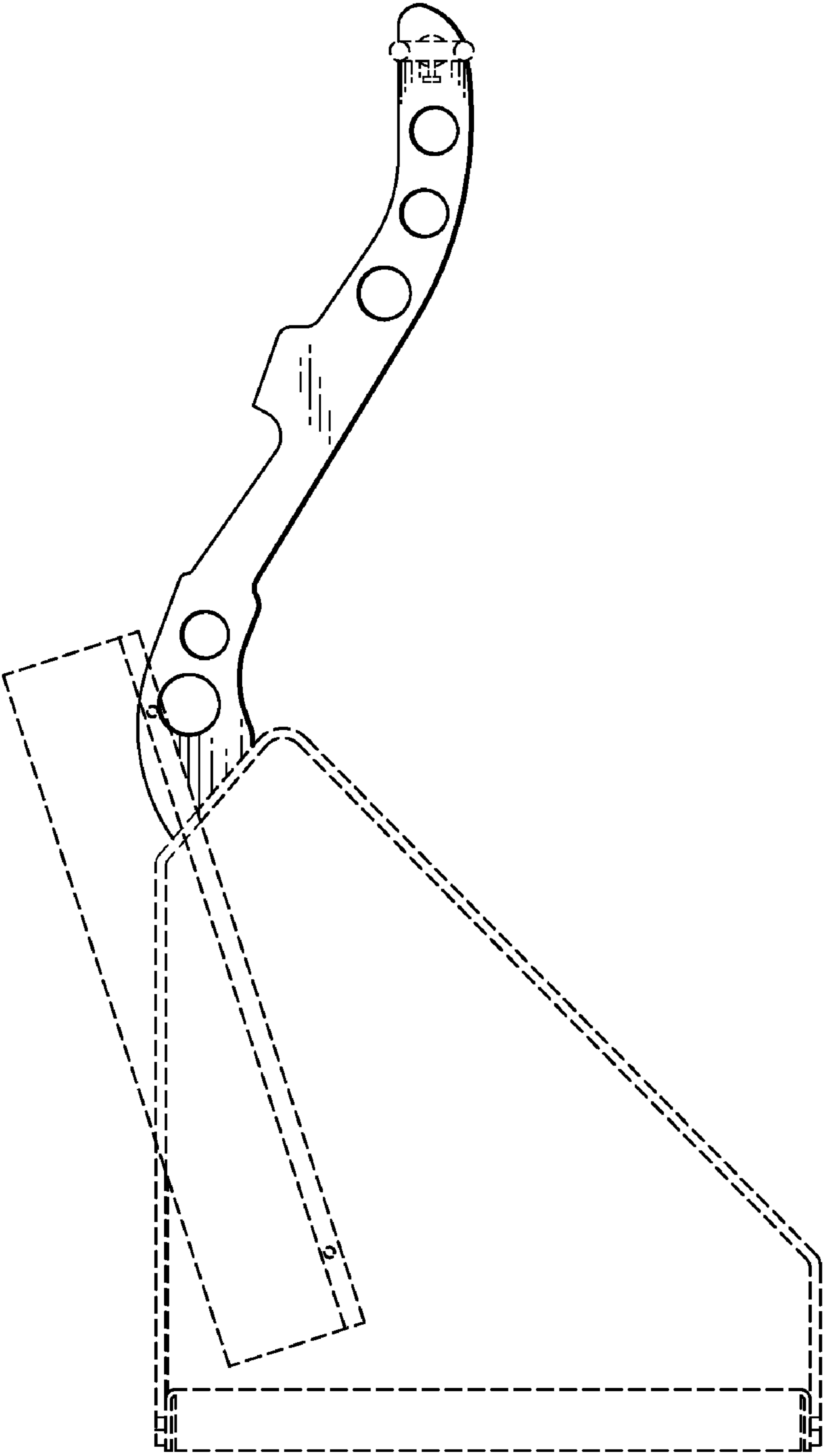


FIG. 5

