

US00D617408S

(12) **United States Design Patent**  
**Girard et al.**

(10) **Patent No.:** **US D617,408 S**  
(45) **Date of Patent:** **\*\* Jun. 8, 2010**

(54) **SKI BINDING**

(75) Inventors: **François Girard**, Veyrier du Lac (FR);  
**Eddy Yelovina**, Seynod (FR); **Adeline Grenet**, Moye (FR)

(73) Assignee: **Salomon S.A.S.**, Metz-Tessy (FR)

(\*\*) Term: **14 Years**

(21) Appl. No.: **29/319,665**

(22) Filed: **Jun. 12, 2008**

(30) **Foreign Application Priority Data**

Dec. 13, 2007 (EM) ..... 000841952-0001

(51) **LOC (9) Cl.** ..... **21-02**

(52) **U.S. Cl.** ..... **D21/773**

(58) **Field of Classification Search** ..... D21/760,  
D21/761, 765, 766, 801, 803; 441/65-66,  
441/68-69, 72-75, 79; D12/6; 280/11.3,  
280/11.31, 601-606, 609-610

See application file for complete search history.

(56) **References Cited**

**U.S. PATENT DOCUMENTS**

D329,267 S	9/1992	Arnulf	
D341,640 S *	11/1993	Hauglin	D21/773
D341,864 S *	11/1993	Hauglin	D21/773
5,480,175 A *	1/1996	Astier et al.	280/607
5,730,457 A *	3/1998	Couderc et al.	280/602
5,746,439 A *	5/1998	Boehm et al.	280/602

5,758,894 A *	6/1998	Maggiolo	280/602
D425,955 S *	5/2000	Girard et al.	D21/773
D501,525 S	2/2005	Saillet	
D537,140 S *	2/2007	Battistoni	D21/773
D538,372 S	3/2007	Bonnemere	
7,320,474 B2	1/2008	Quellais et al.	
2002/0014757 A1 *	2/2002	Silva	280/607
2006/0012151 A1	1/2006	Girard et al.	
2006/0273551 A1	12/2006	Girard	
2007/0138765 A1	6/2007	Miette et al.	
2007/0228695 A1	10/2007	Miette	

\* cited by examiner

*Primary Examiner*—Janice E Seeger

*Assistant Examiner*—Zenita I Bennett

(74) *Attorney, Agent, or Firm*—Greenblum & Bernstein, P.L.C.

(57) **CLAIM**

We claim the ornamental design for a ski binding, as shown and described.

**DESCRIPTION**

FIG. 1 is a perspective view of a ski binding, showing our new design;

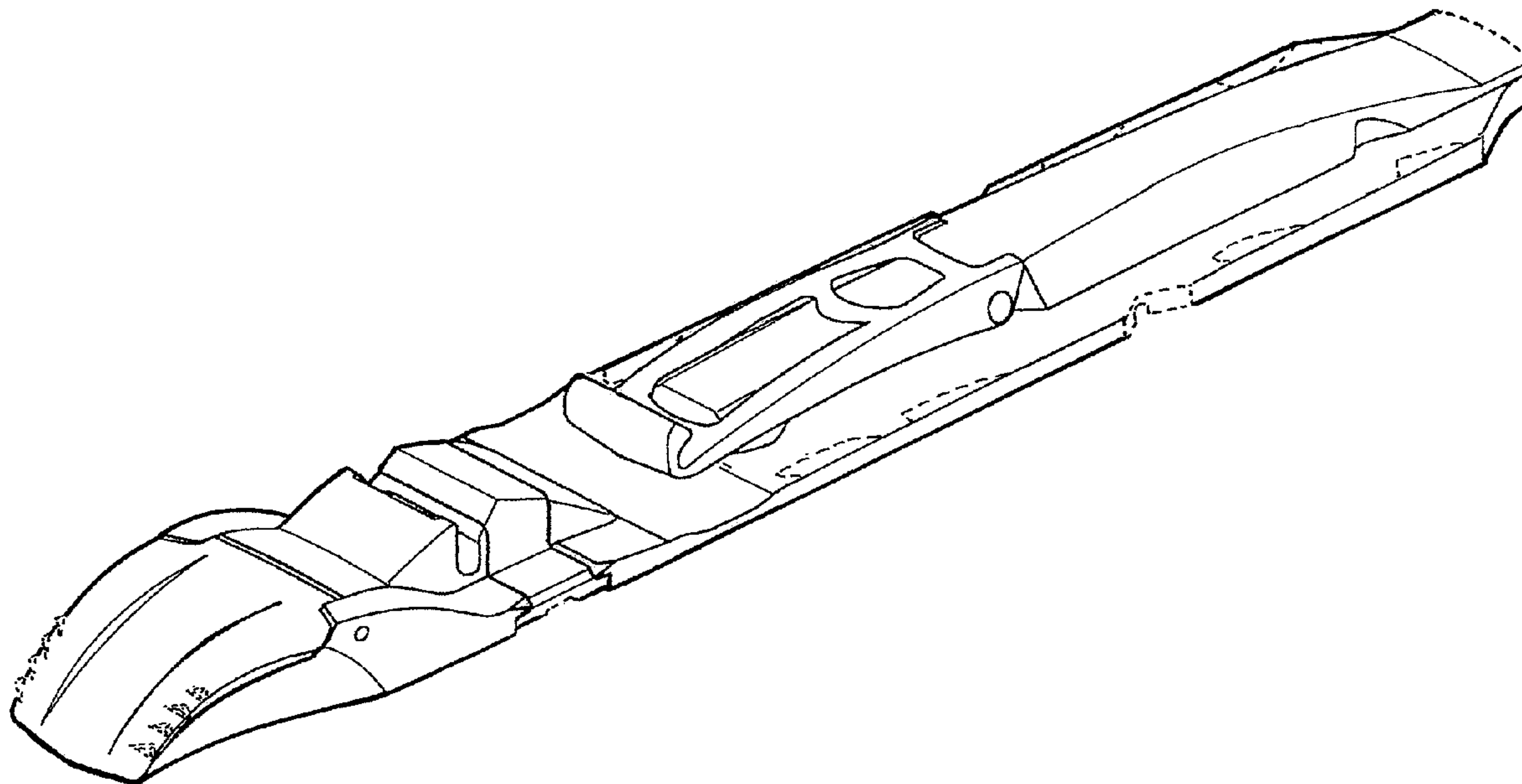
FIG. 2 is a top view thereof; and,

FIG. 3 is a side elevation view thereof.

The broken lines are for environmental purposes only and form no part of the claimed design.

The bottom of the ski binding does not form part of the claim.

**1 Claim, 2 Drawing Sheets**



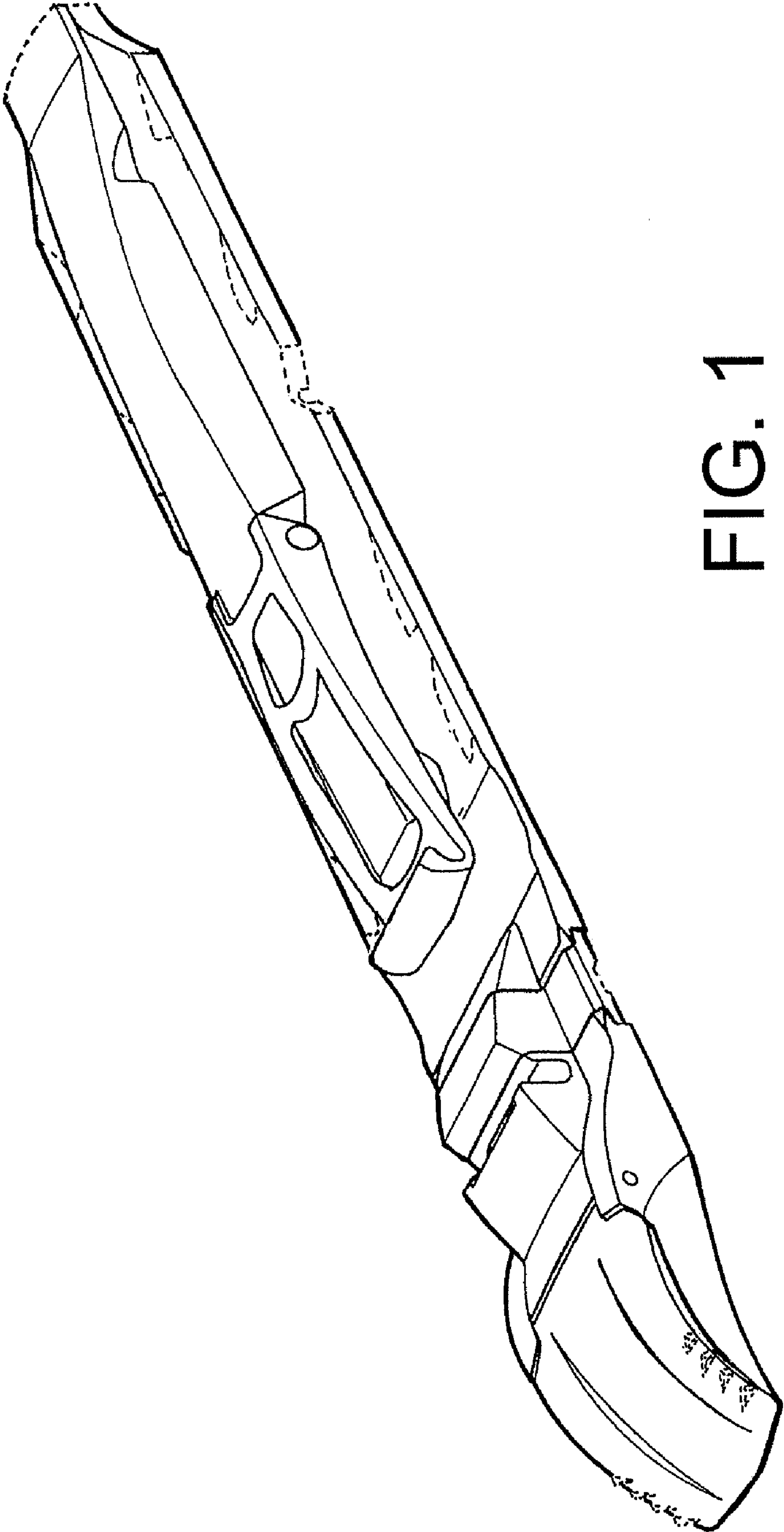


FIG. 1

FIG. 2

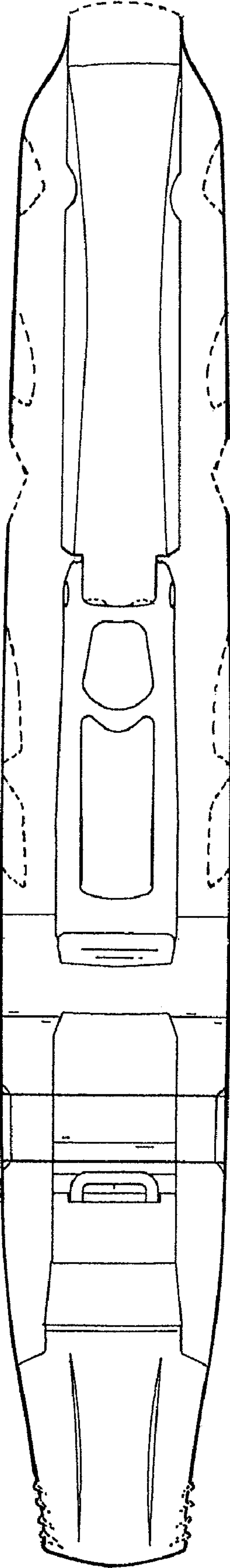


FIG. 3

