



US00D617407S

(12) **United States Design Patent**  
**Ruiz**

(10) **Patent No.:** **US D617,407 S**

(45) **Date of Patent:** **\*\* Jun. 8, 2010**

(54) **INFANT WATER SKI**

D537,142 S \* 2/2007 Eagan ..... D21/803

(76) **Inventor:** **Roberto G. Ruiz**, 4529 Southern Ave.,  
Dallas, TX (US) 75205

\* cited by examiner

*Primary Examiner*—Janice E Seeger

*Assistant Examiner*—Zenia I Bennett

(74) *Attorney, Agent, or Firm*—Charles D. Gunter, Jr.

(\*\*) **Term:** **14 Years**

(21) **Appl. No.:** **29/345,634**

(57) **CLAIM**

(22) **Filed:** **Oct. 20, 2009**

The ornamental design for an infant water ski, as shown and described.

(51) **LOC (9) Cl.** ..... **21-02**

(52) **U.S. Cl.** ..... **D21/769**

(58) **Field of Classification Search** ..... D21/769–770,  
D21/801, 803, 809; 114/253, 345–346; 441/35,  
441/66, 40–42, 129–132; 472/128–129;  
D12/5, 6, 316

**DESCRIPTION**

See application file for complete search history.

FIG. 1 is a perspective view of the infant water ski of the invention, the broken lines in the drawing are for illustrative purposes only and form no part of the claimed design;

FIG. 2 is a front view of the infant water ski of FIG. 1;

FIG. 3 is a left side view of the water ski of FIG. 1, the right side being a mirror image thereof;

FIG. 4 is a rear view of the water ski of the invention;

FIG. 5 is a top view of the infant water ski of the invention; and,

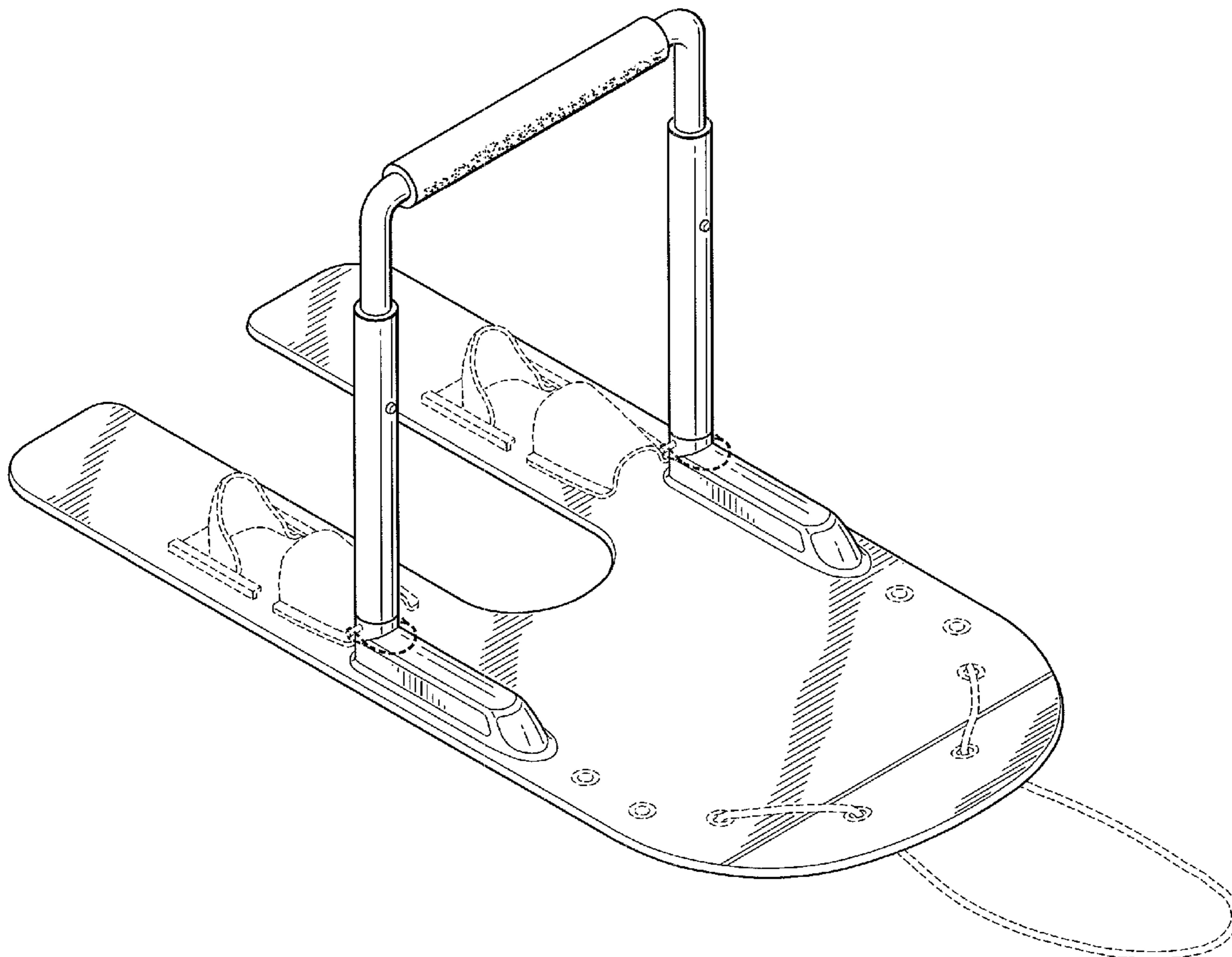
FIG. 6 is a bottom view of the water ski of the invention.

(56) **References Cited**

**U.S. PATENT DOCUMENTS**

D255,820 S *	7/1980	Borden et al. ....	D21/767
D259,803 S *	7/1981	Coffin .....	D21/770
D260,797 S *	9/1981	Calengor et al. ....	D21/770
4,981,455 A *	1/1991	Tubens .....	441/73
D330,928 S *	11/1992	Sameshima .....	D21/770
D374,421 S *	10/1996	Lekhtman .....	D12/300
D420,845 S *	2/2000	Rumage .....	D6/601

**1 Claim, 4 Drawing Sheets**



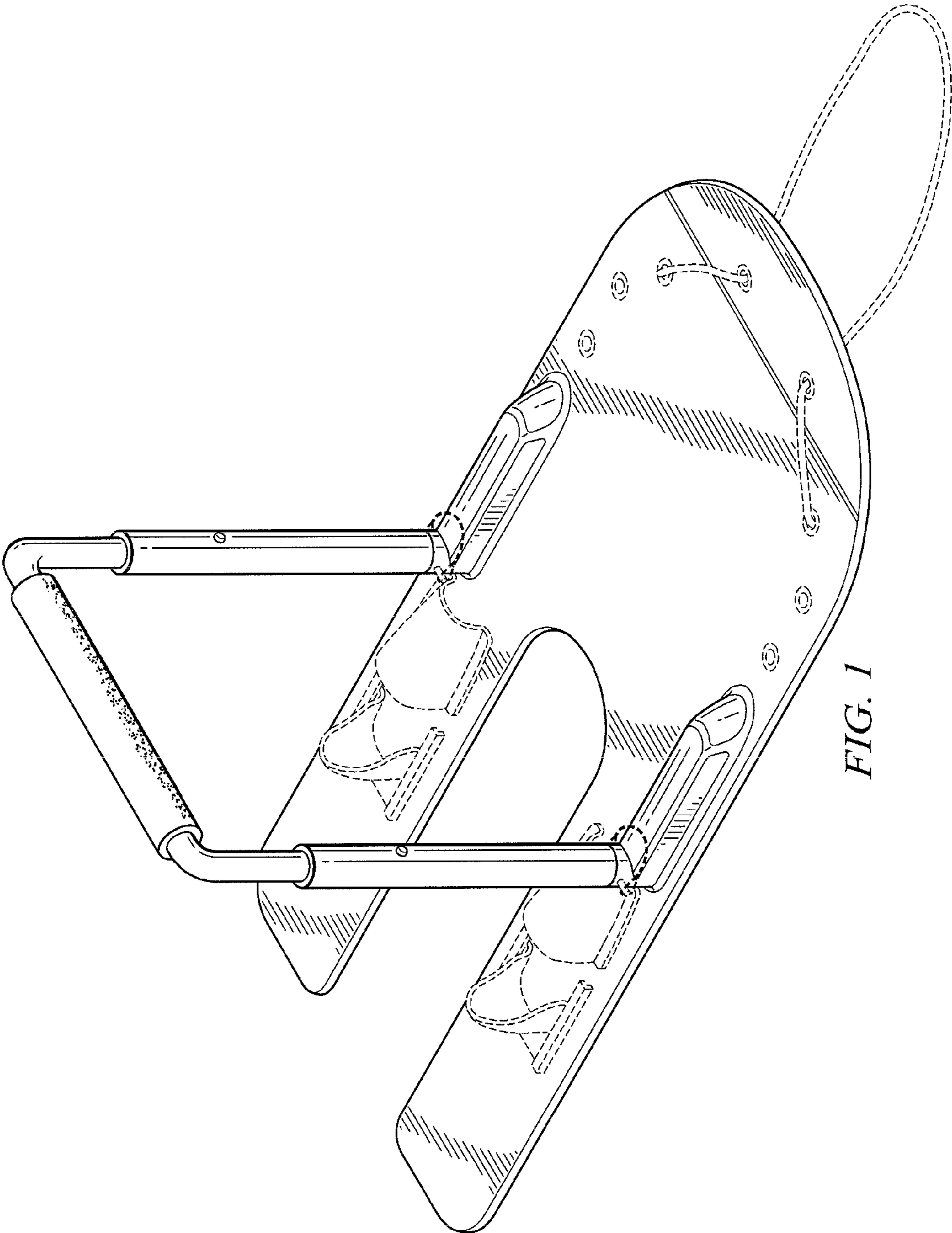


FIG. 1

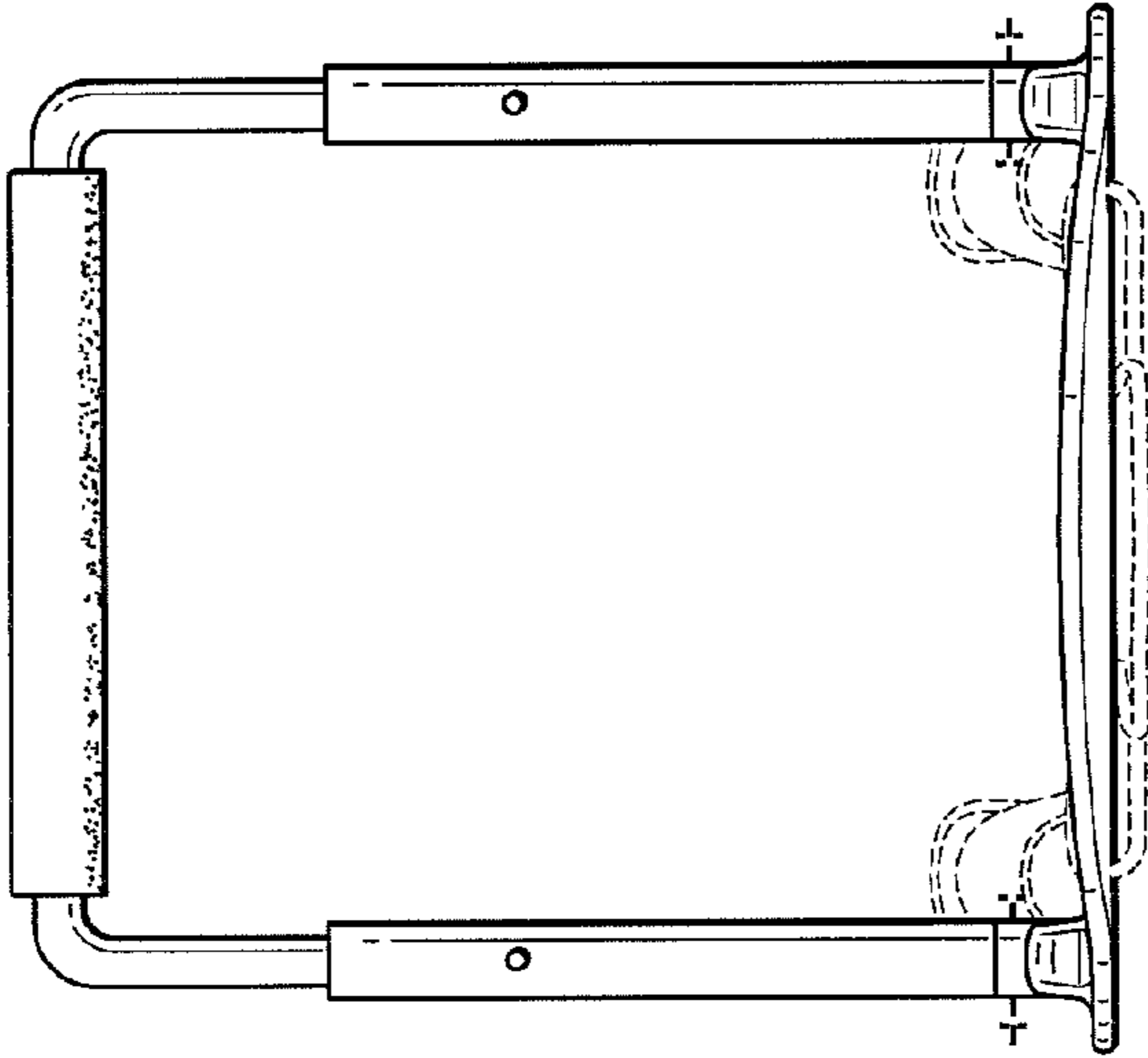


FIG. 2

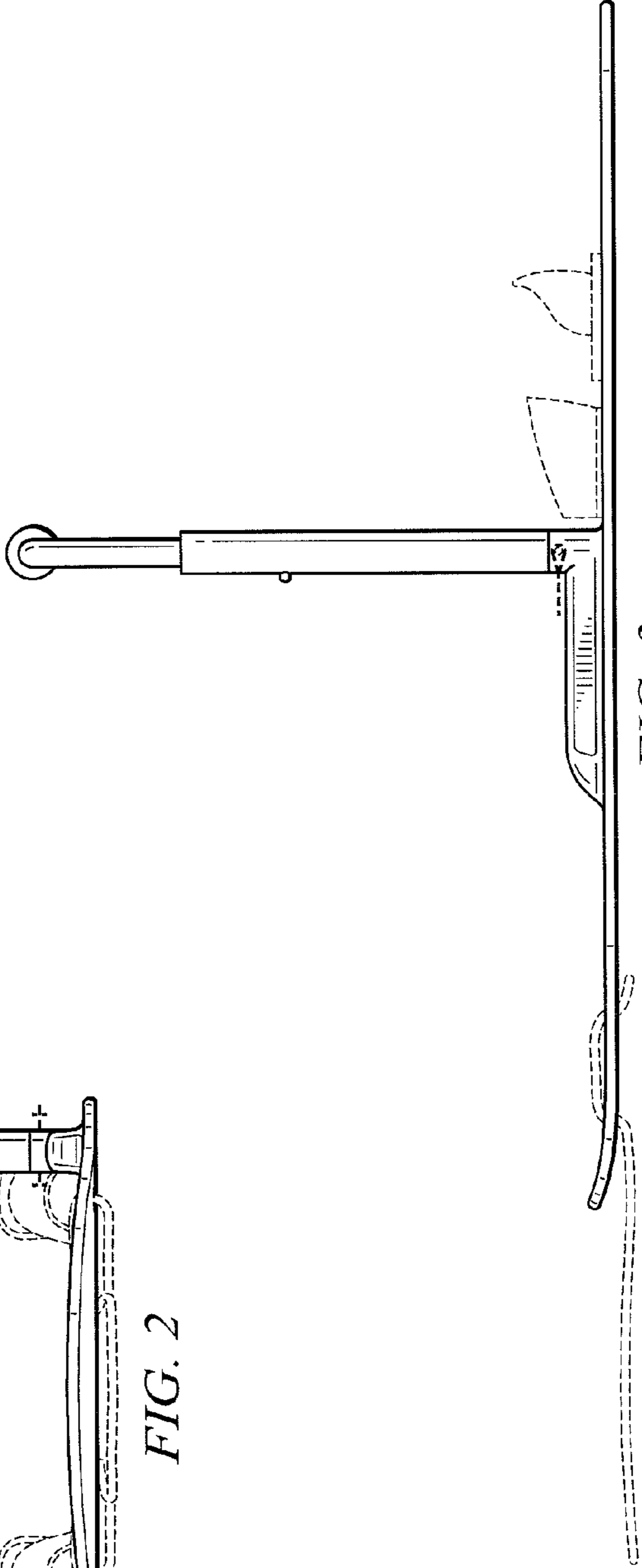
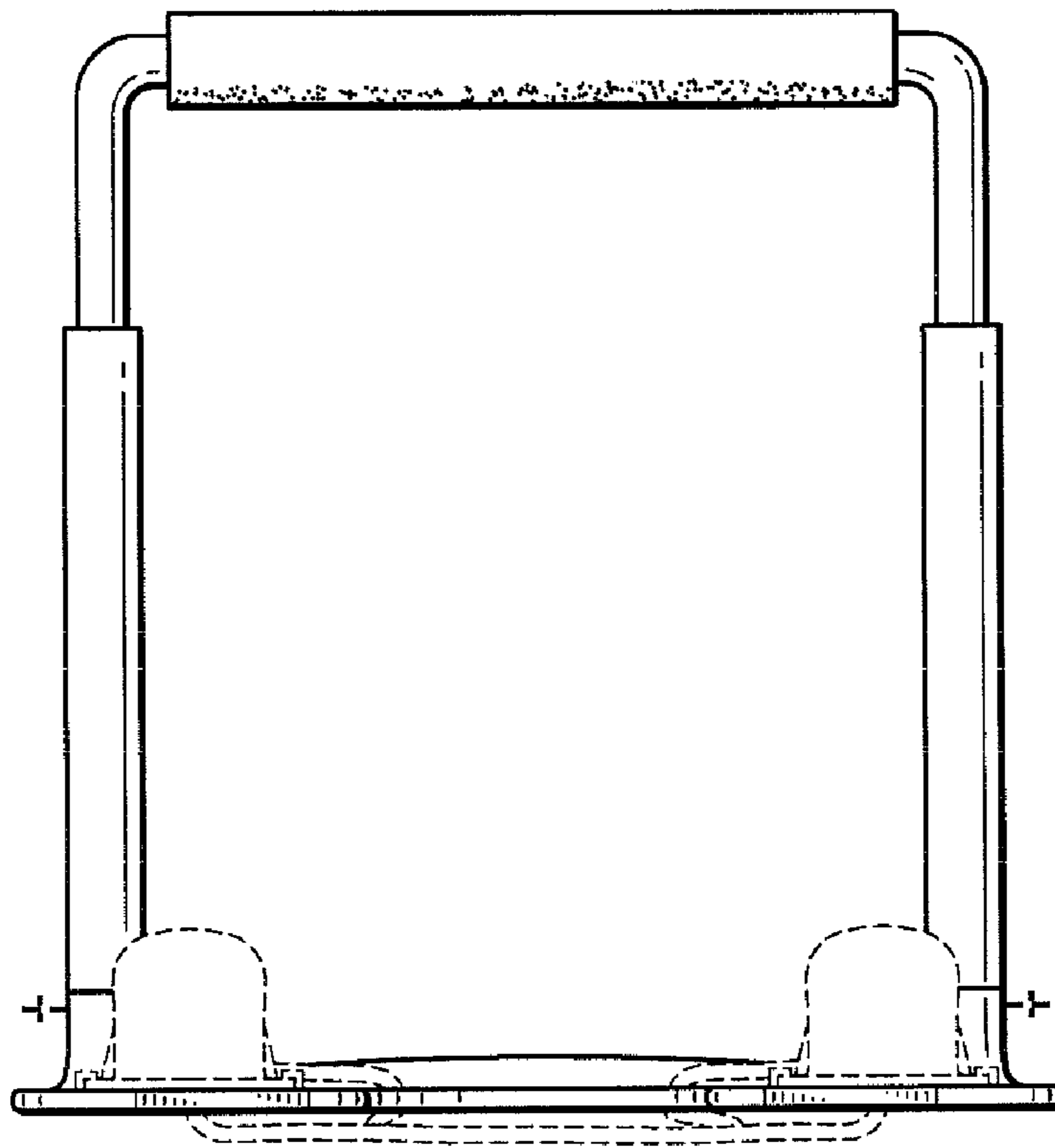


FIG. 3



*FIG. 4*

