



US00D617406S

(12) **United States Design Patent**  
**Carlyle et al.**

(10) **Patent No.:** **US D617,406 S**  
(45) **Date of Patent:** **\*\* Jun. 8, 2010**

(54) **GOLF CLUB HEAD**  
(75) Inventors: **Scott A. Carlyle**, Huntington Beach, CA (US); **Brian D. Schielke**, Huntington Beach, CA (US)  
(73) Assignee: **Roger Cleveland Golf Co., Inc.**, Huntington Beach, CA (US)

7,473,187 B2 1/2009 Vokey et al.  
D588,221 S \* 3/2009 Takahashi ..... D21/759  
D588,666 S \* 3/2009 Takahashi ..... D21/759  
D596,687 S \* 7/2009 Bezilla et al. .... D21/759  
D603,009 S \* 10/2009 Bezilla et al. .... D21/759  
2008/0051212 A1 2/2008 Voges  
2009/0247318 A1 10/2009 Ban et al.  
2009/0264217 A1 10/2009 Johnson et al.

(\*\*) Term: **14 Years**  
(21) Appl. No.: **29/346,140**  
(22) Filed: **Oct. 27, 2009**

FOREIGN PATENT DOCUMENTS

(51) **LOC (9) Cl.** ..... **21-02**  
(52) **U.S. Cl.** ..... **D21/759**  
(58) **Field of Classification Search** ..... D21/747-751, D21/759; 473/324-331, 350  
See application file for complete search history.

JP A-2001-346920 12/2001  
JP A-2004-147694 5/2004  
JP A-2005-224383 8/2005  
JP A-2007-319344 12/2007  
JP A-2007-325859 12/2007  
JP A-2008-023178 2/2008  
JP A-2008-079969 4/2008  
JP A-2008-132168 6/2008  
JP A-2008-132169 6/2008  
JP A-2008-136833 6/2008  
JP A-2008-206984 9/2008  
JP A-2008-272271 11/2008

(56) **References Cited**

U.S. PATENT DOCUMENTS

4,529,203 A 7/1985 Ribaldo  
5,437,088 A 8/1995 Igarashi  
5,807,190 A 9/1998 Krumme et al.  
6,129,953 A 10/2000 Mertens  
6,277,033 B1 8/2001 Krumme et al.  
6,381,828 B1 5/2002 Boyce et al.  
6,402,637 B1 6/2002 Sasamoto et al.  
6,440,011 B1 8/2002 Hocknell et al.  
6,688,989 B2 2/2004 Best  
6,994,636 B2 2/2006 Hocknell et al.  
7,086,963 B1 8/2006 Onuki et al.  
7,153,221 B2 12/2006 Hocknell et al.  
D538,870 S \* 3/2007 Chick et al. .... D21/759  
D544,562 S \* 6/2007 Park et al. .... D21/759  
D545,932 S \* 7/2007 Park et al. .... D21/759  
D551,311 S \* 9/2007 Park et al. .... D21/759  
D551,729 S \* 9/2007 Park et al. .... D21/759  
D551,730 S \* 9/2007 Park et al. .... D21/759  
D554,220 S \* 10/2007 Park et al. .... D21/759  
7,278,926 B2 10/2007 Frame  
7,278,928 B2 10/2007 Newman et al.  
7,448,961 B2 11/2008 Lin  
7,465,240 B2 12/2008 Frame

\* cited by examiner

*Primary Examiner*—Mitchell I Siegel  
(74) *Attorney, Agent, or Firm*—Oliff & Berridge, PLC

(57) **CLAIM**

The ornamental design for a golf club head, as shown and described.

**DESCRIPTION**

FIG. 1 is a top view of a golf club head, oriented in the address position, embodying a first example of the inventive design.  
FIG. 2 is a front view of the golf club head of FIG. 1.  
FIG. 3 is a front view of the golf club head of FIG. 1 with its face in the drawing plane.  
FIG. 4 is a cross-sectional view of the golf club head of FIG. 3 taken in the direction of lines 4—4.  
FIG. 5 is a rear view of the golf club head shown in FIG. 3.  
FIG. 6 is a top view of the golf club head shown in FIG. 3.  
FIG. 7 is a bottom view of the golf club head shown in FIG. 3.

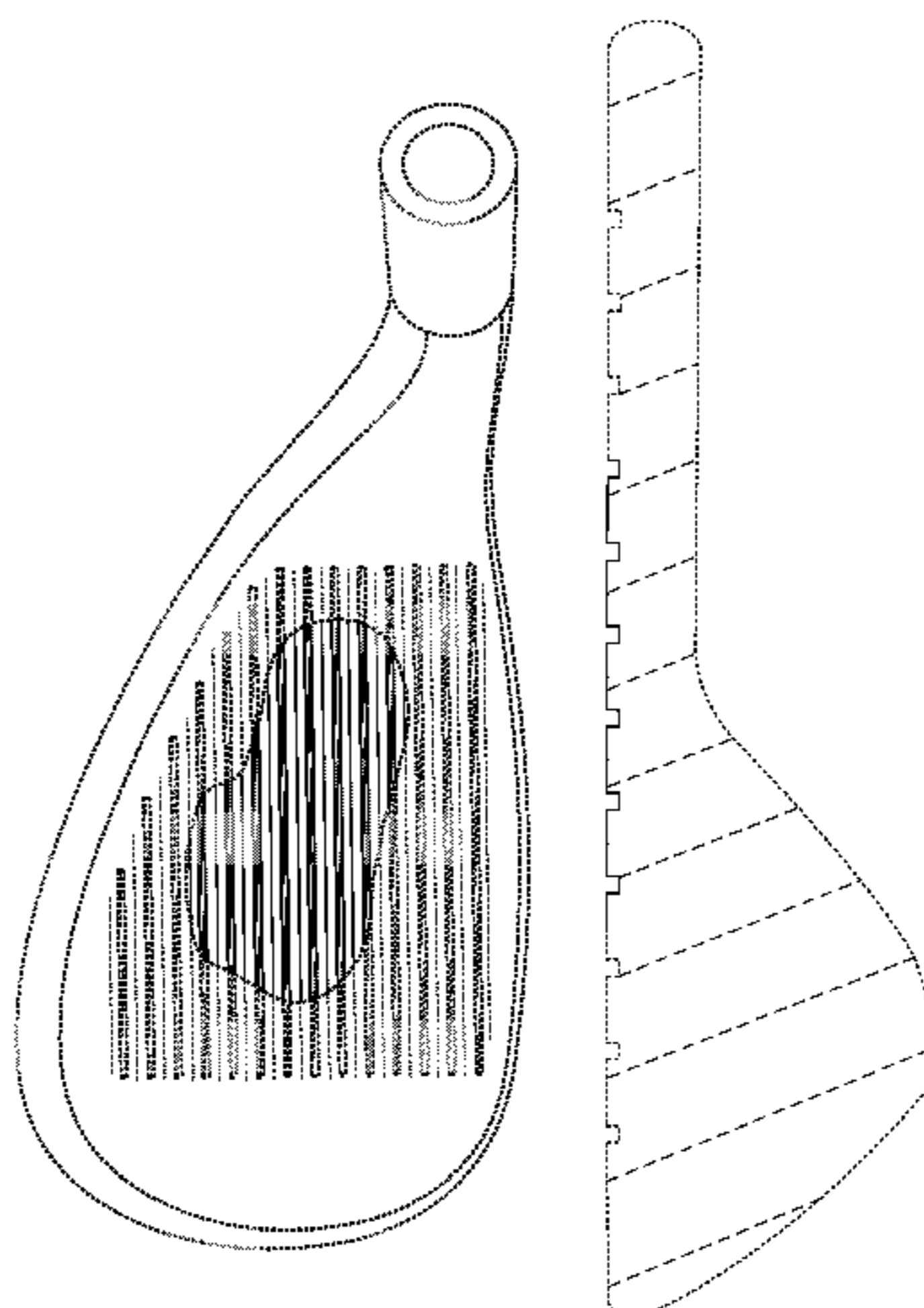


FIG. 8 is a toe-side view of the golf club head shown in FIG. 3.

FIG. 9 is a heel-side view of the golf club head shown in FIG. 3.

FIG. 10 is a top view of a golf club head, oriented in the address position, embodying a second example of the inventive design.

FIG. 11 is a front view of the golf club head of FIG. 10.

FIG. 12 is a front view of the golf club head of FIG. 10 with its face in the drawing plane.

FIG. 13 is a cross-sectional view of the golf club head of FIG. 12 taken in the direction of lines 13—13 of FIG. 12.

FIG. 14 is a rear view of the golf club head shown in FIG. 12.

FIG. 15 is a top view of the golf club head shown in FIG. 12.

FIG. 16 is a bottom view of the golf club head shown in FIG. 12.

FIG. 17 is a toe-side view of the golf club head shown in FIG. 12.

FIG. 18 is a heel-side view of the golf club head shown in FIG. 12.

FIG. 19 is a top view of a golf club head, oriented in the address position, embodying a third example of the inventive design.

FIG. 20 is a front view of the golf club head of FIG. 19.

FIG. 21 is a front view of the golf club head of FIG. 19 with its face in the drawing plane.

FIG. 22 is a cross-sectional view of the golf club head of FIG. 21 taken in the direction of lines 22—22.

FIG. 23 is a rear view of the golf club head shown in FIG. 21.

FIG. 24 is a top view of the golf club head shown in FIG. 21.

FIG. 25 is a bottom view of the golf club head shown in FIG. 21.

FIG. 26 is a toe-side view of the golf club head shown in FIG. 21.

FIG. 27 is a heel-side view of the golf club head shown in FIG. 21.

FIG. 28 is a top view of a golf club head, oriented in the address position, embodying a fourth example of the inventive design.

FIG. 29 is a front view of the golf club head of FIG. 28.

FIG. 30 is a front view of the golf club head of FIG. 28 with its face in the drawing plane.

FIG. 31 is a cross-sectional view of the golf club head of FIG. 30 taken in the direction of lines 31—31.

FIG. 32 is a rear view of the golf club head shown in FIG. 30.

FIG. 33 is a top view of the golf club head shown in FIG. 30.

FIG. 34 is a bottom view of the golf club head shown in FIG. 30.

FIG. 35 is a toe-side view of the golf club head shown in FIG. 30; and,

FIG. 36 is a heel-side view of the golf club head shown in FIG. 30.

The broken lines are directed to environment and are for illustrative purposes only; the broken lines form no part of the claimed design.

**1 Claim, 36 Drawing Sheets**

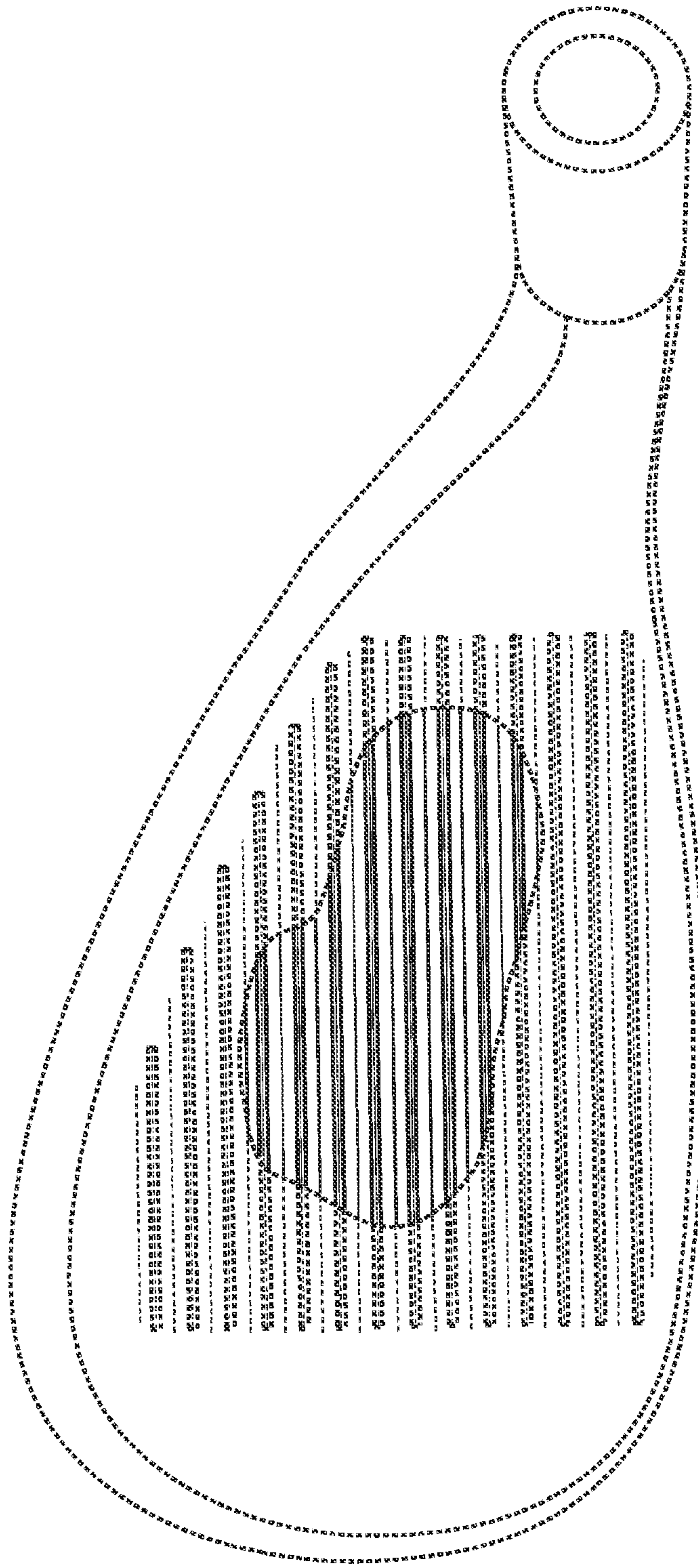


FIG. 1



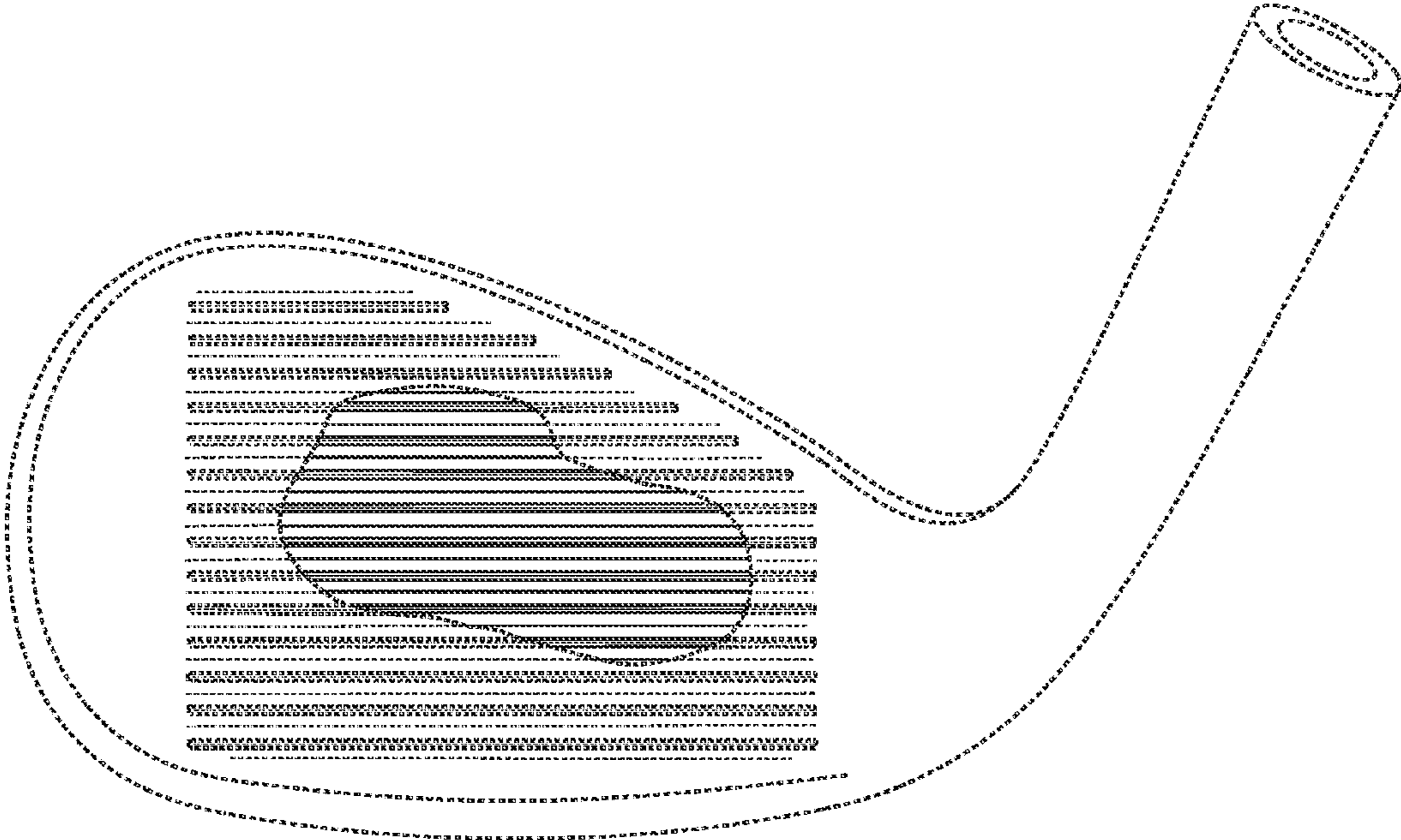


FIG. 2

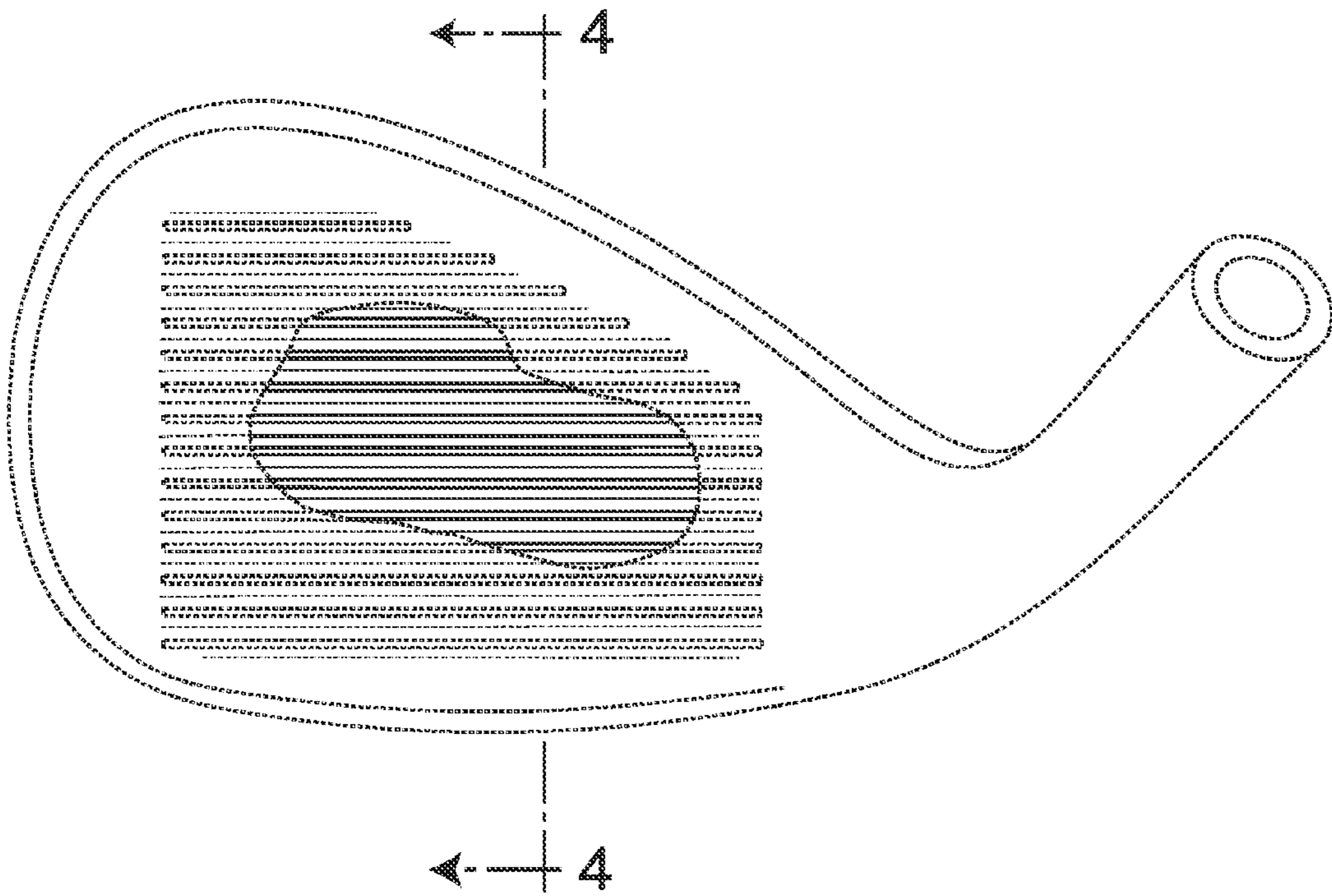


FIG. 3

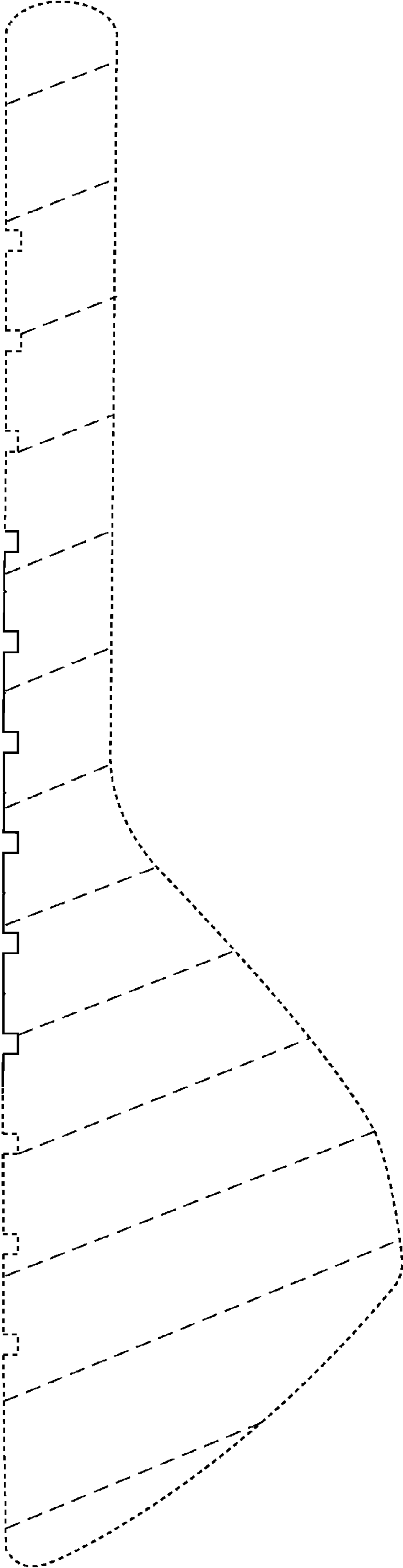


FIG. 4

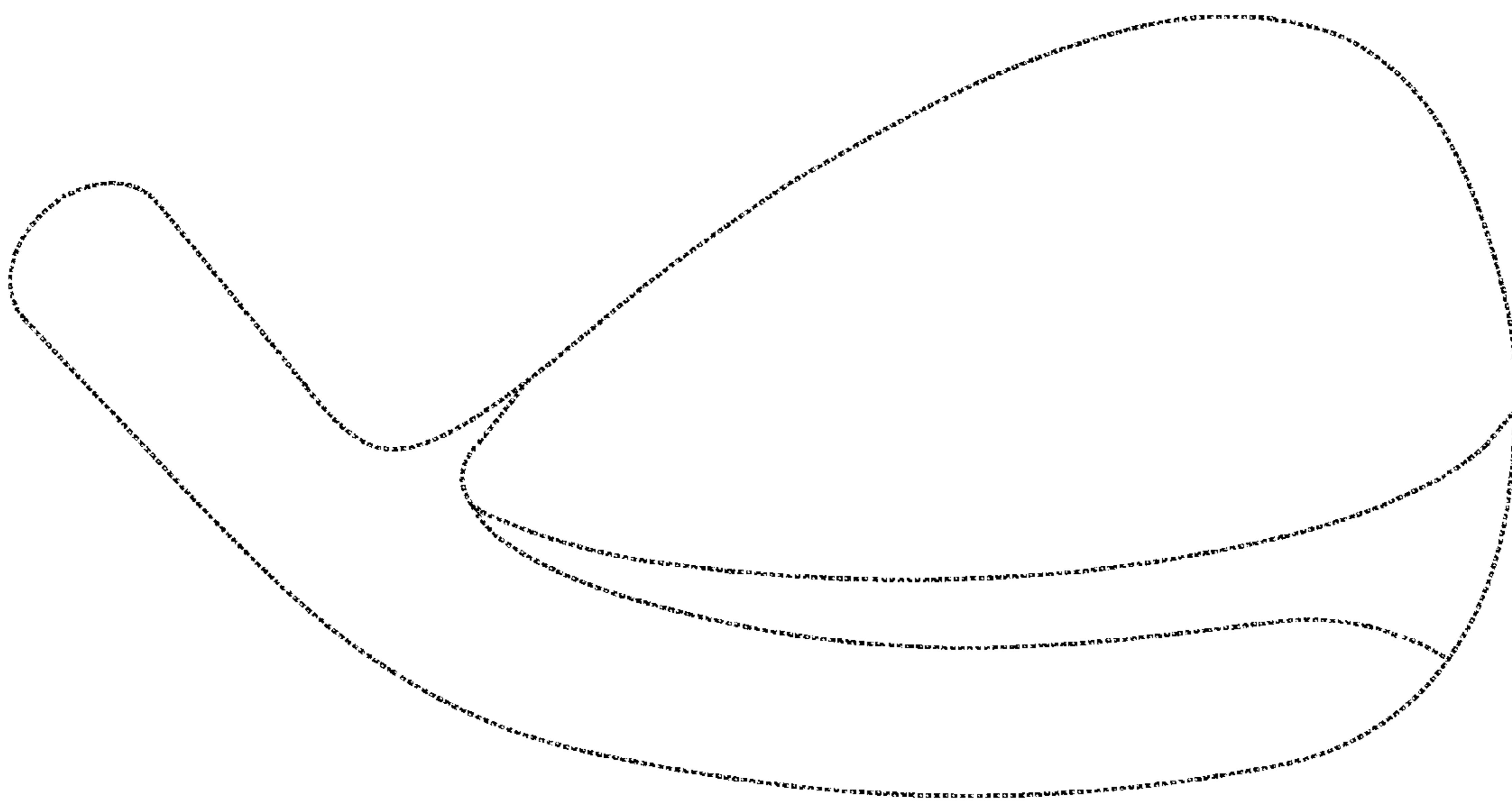


FIG. 5

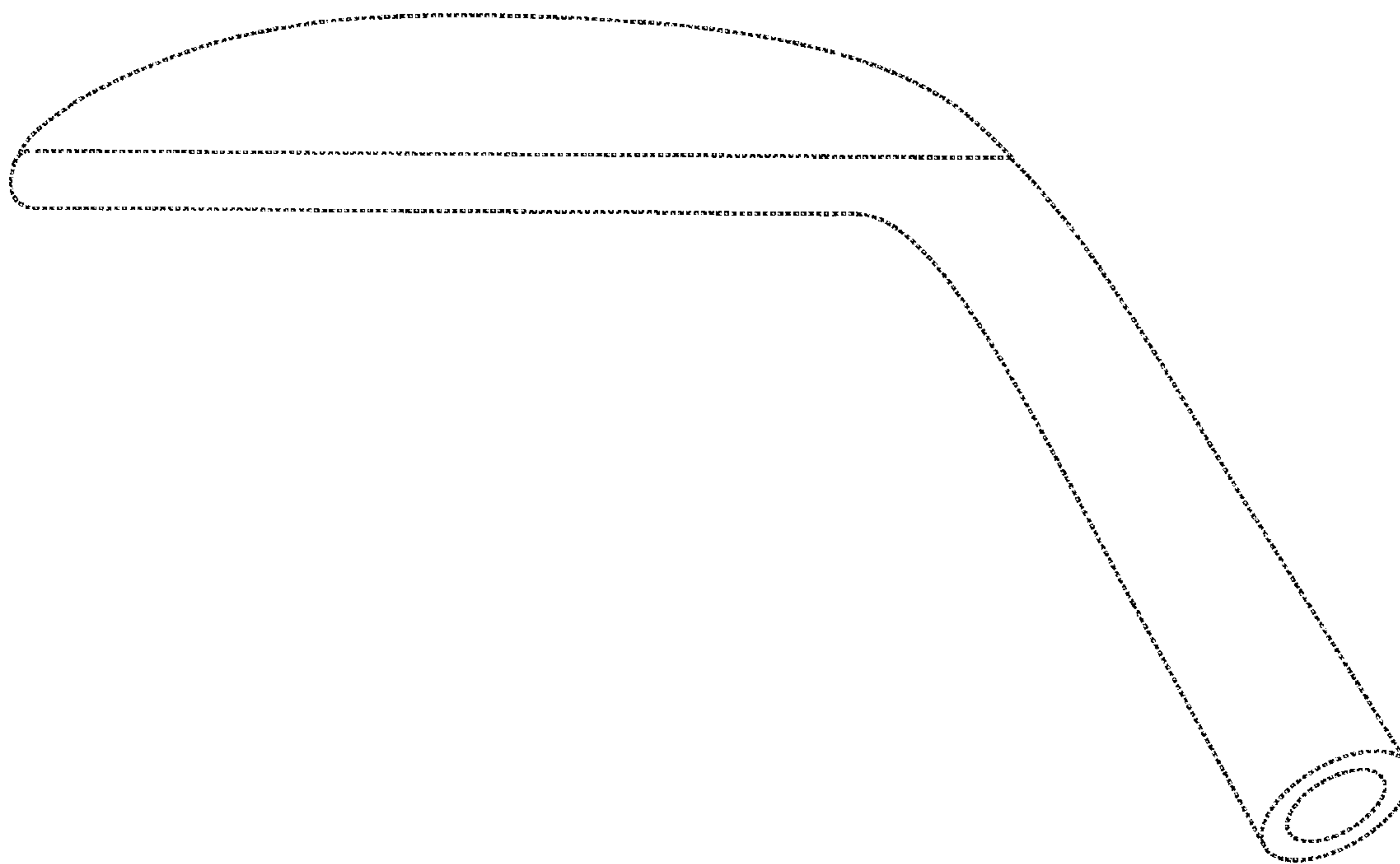


FIG. 6



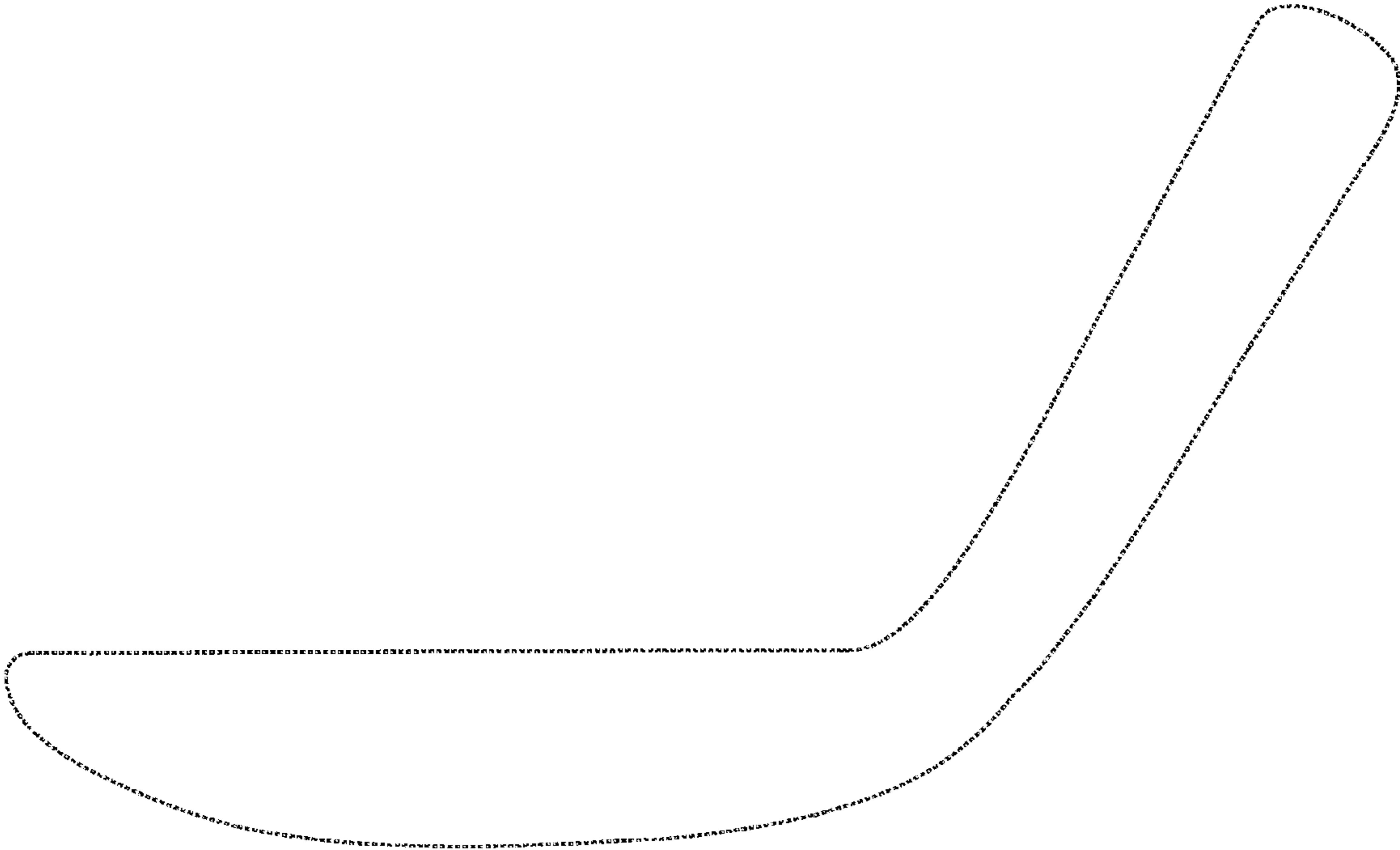


FIG. 7

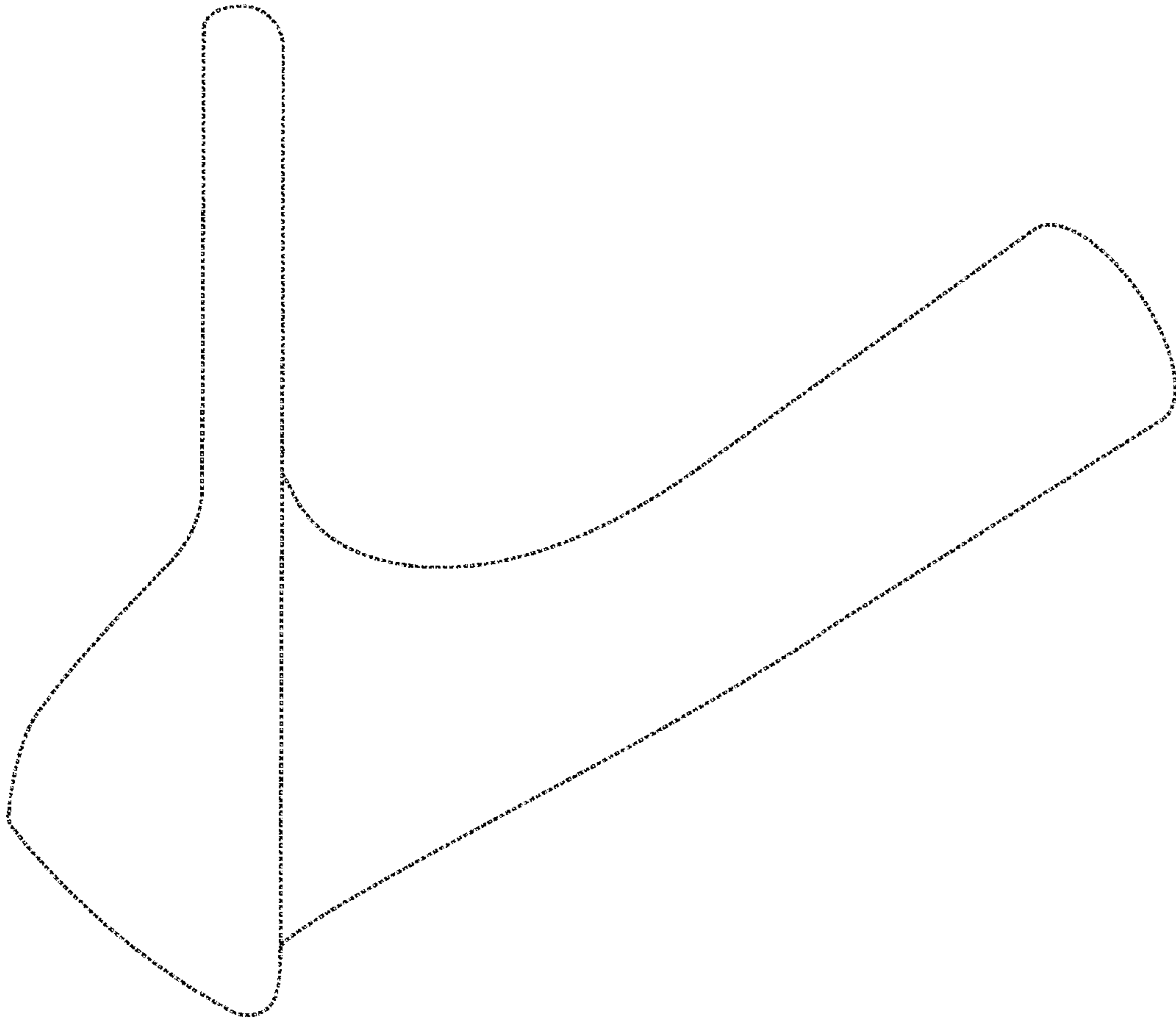


FIG. 8

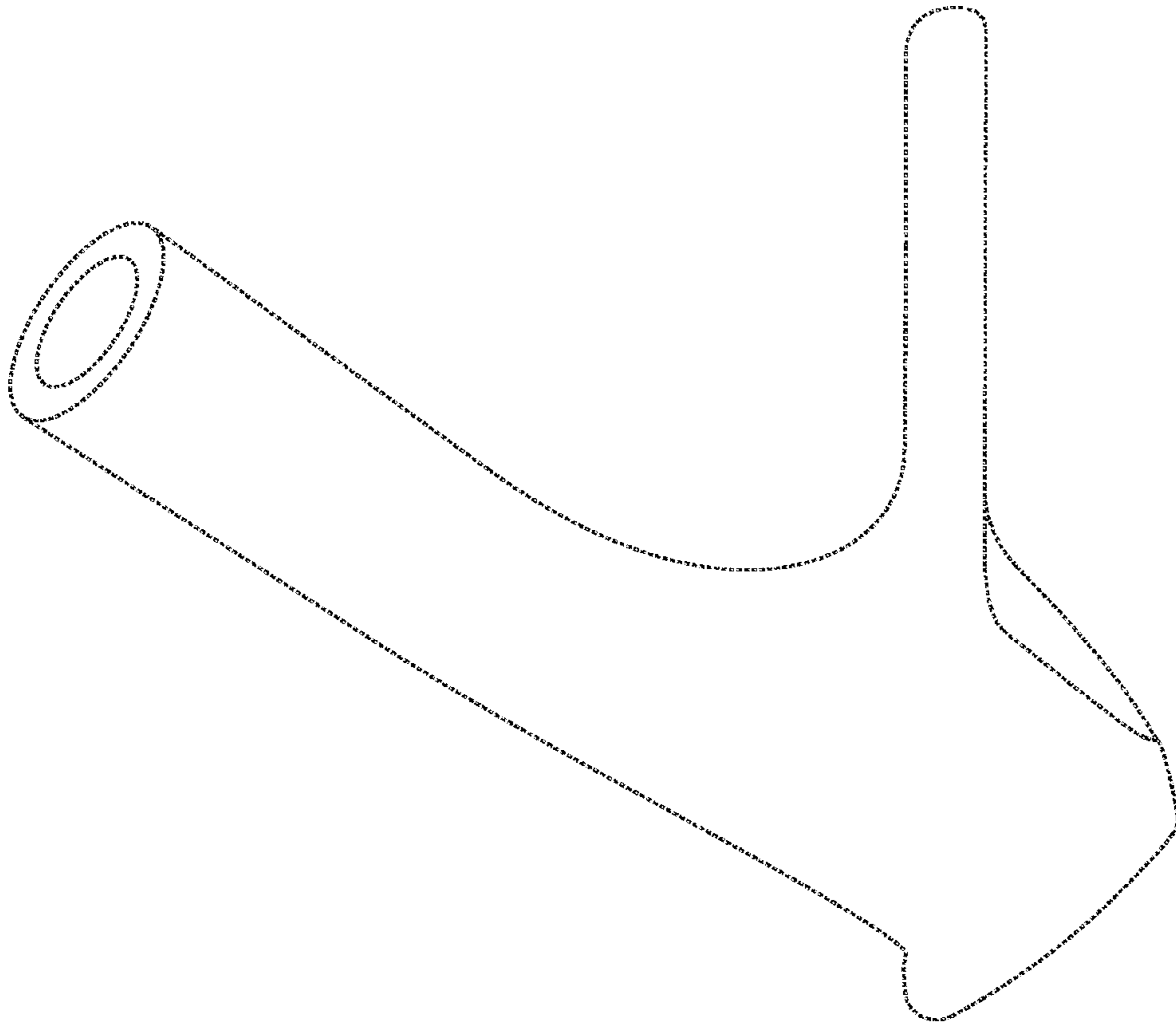


FIG. 9

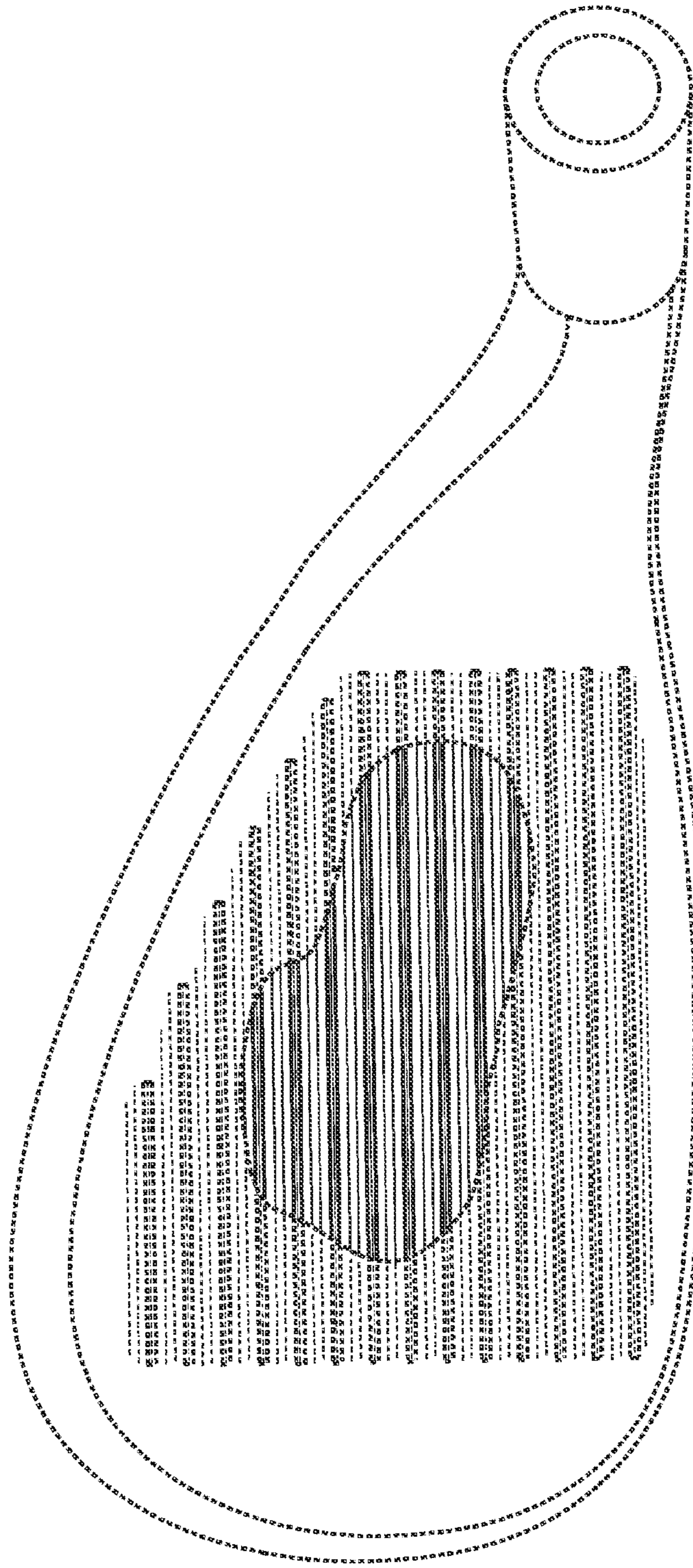


FIG. 10

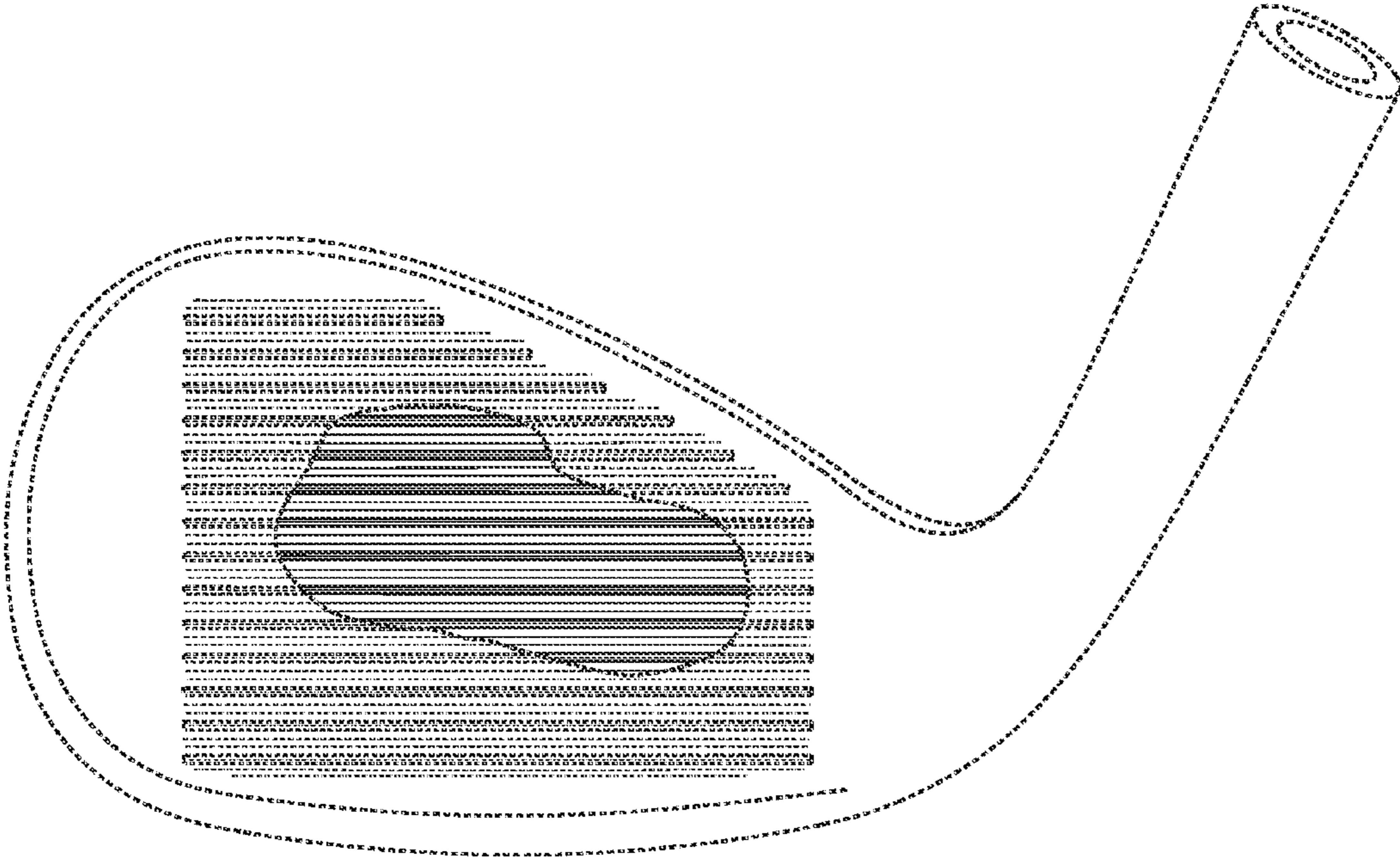


FIG. 11



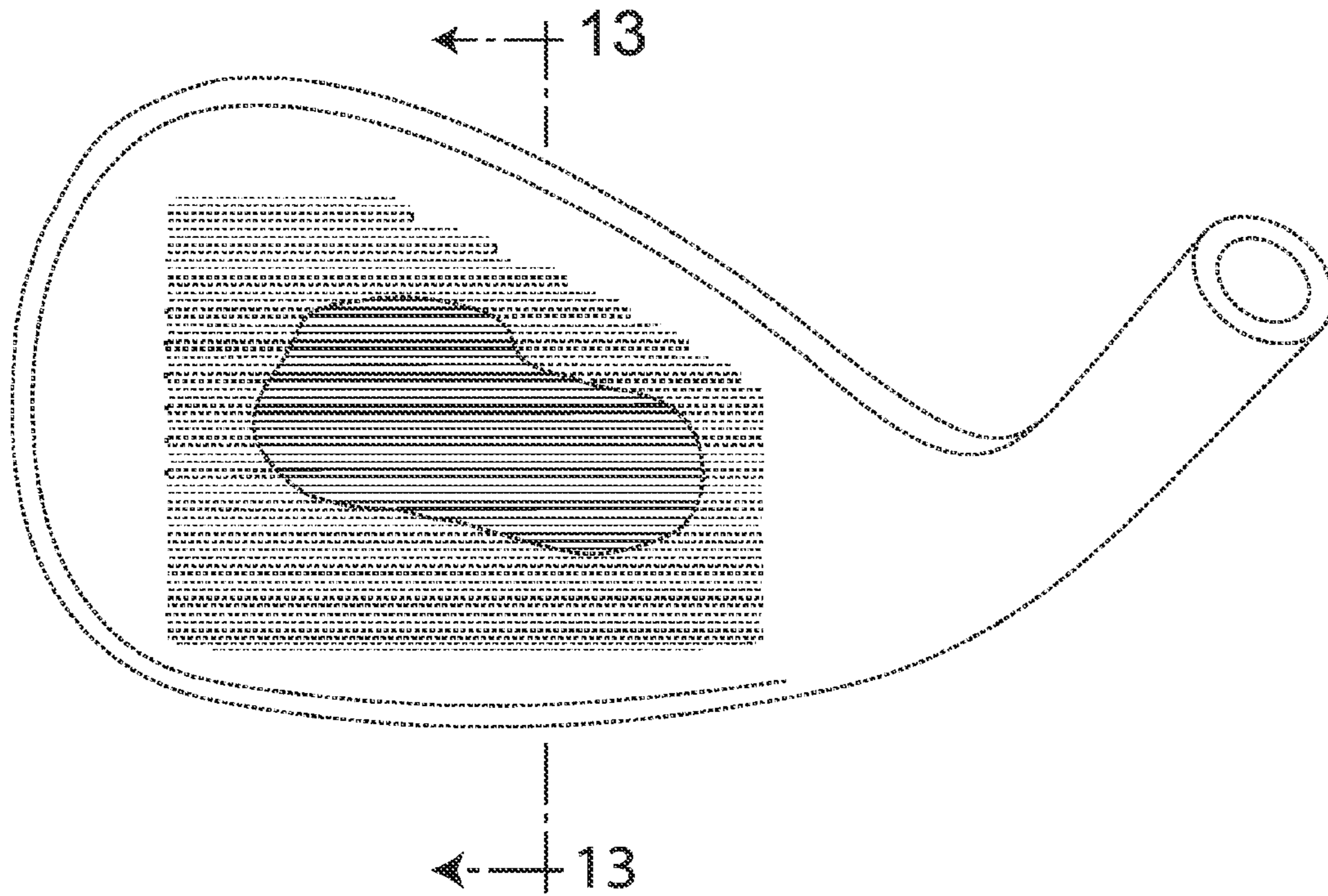


FIG. 12

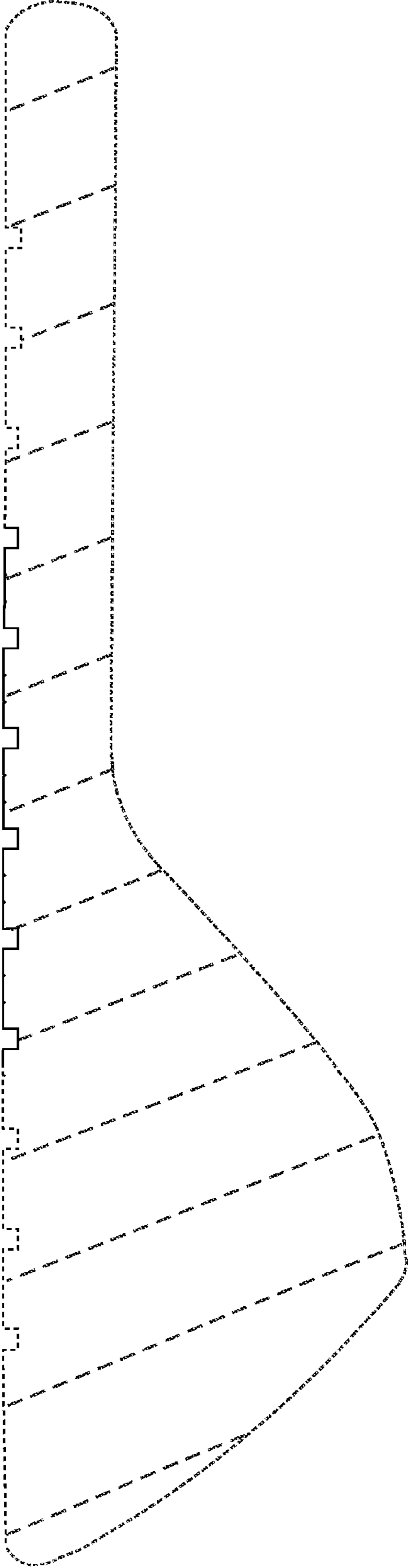


FIG. 13

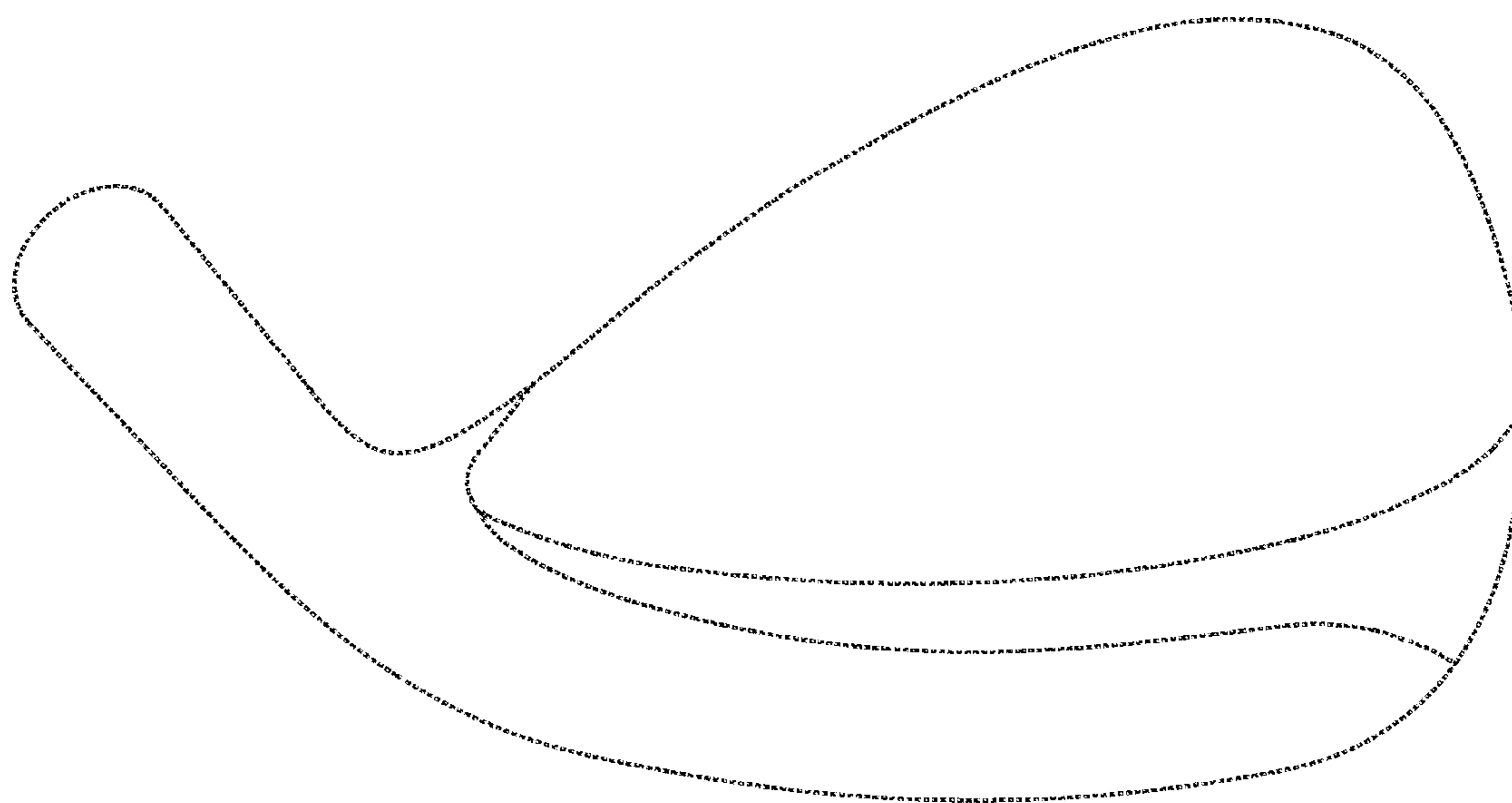


FIG. 14

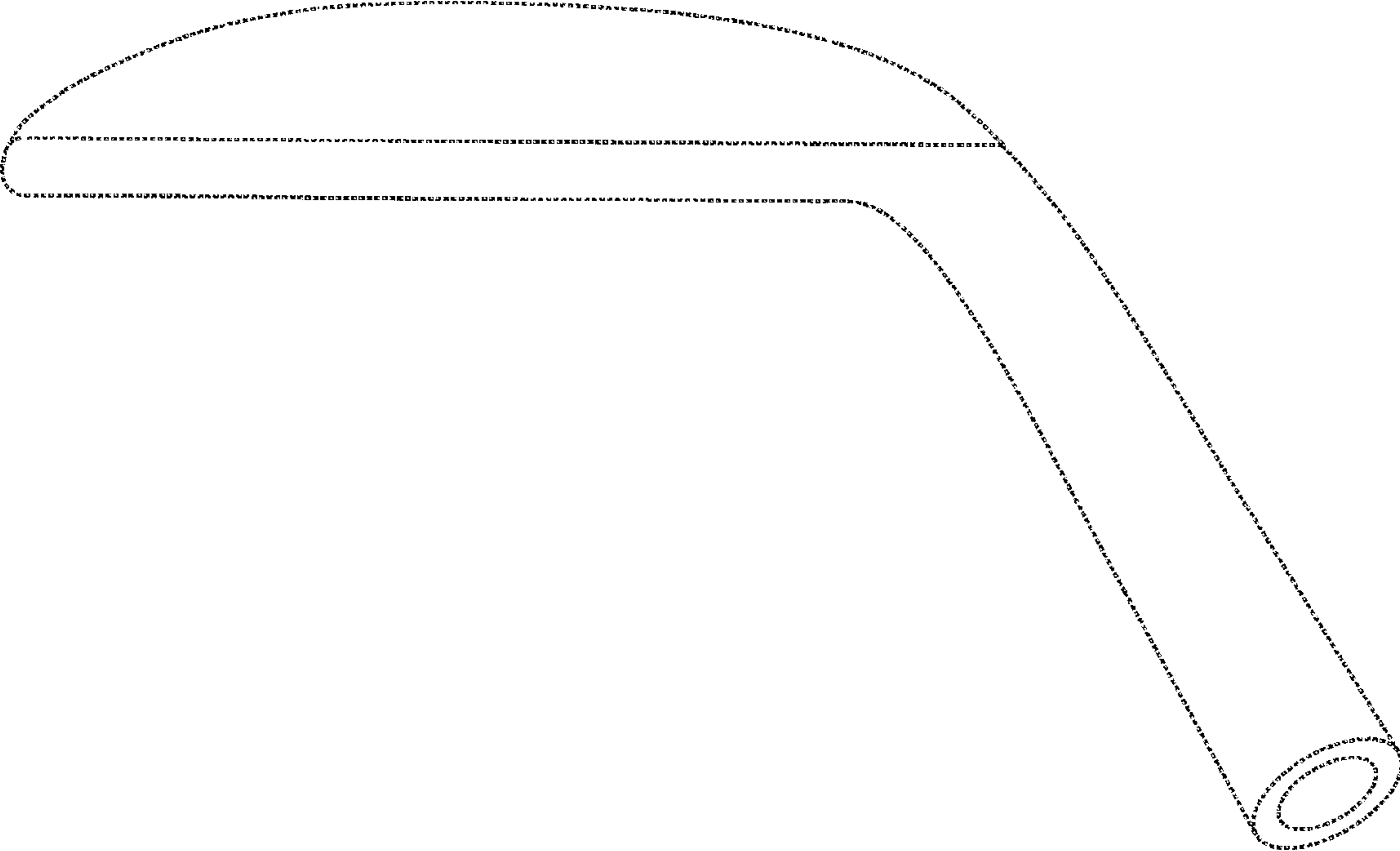


FIG. 15

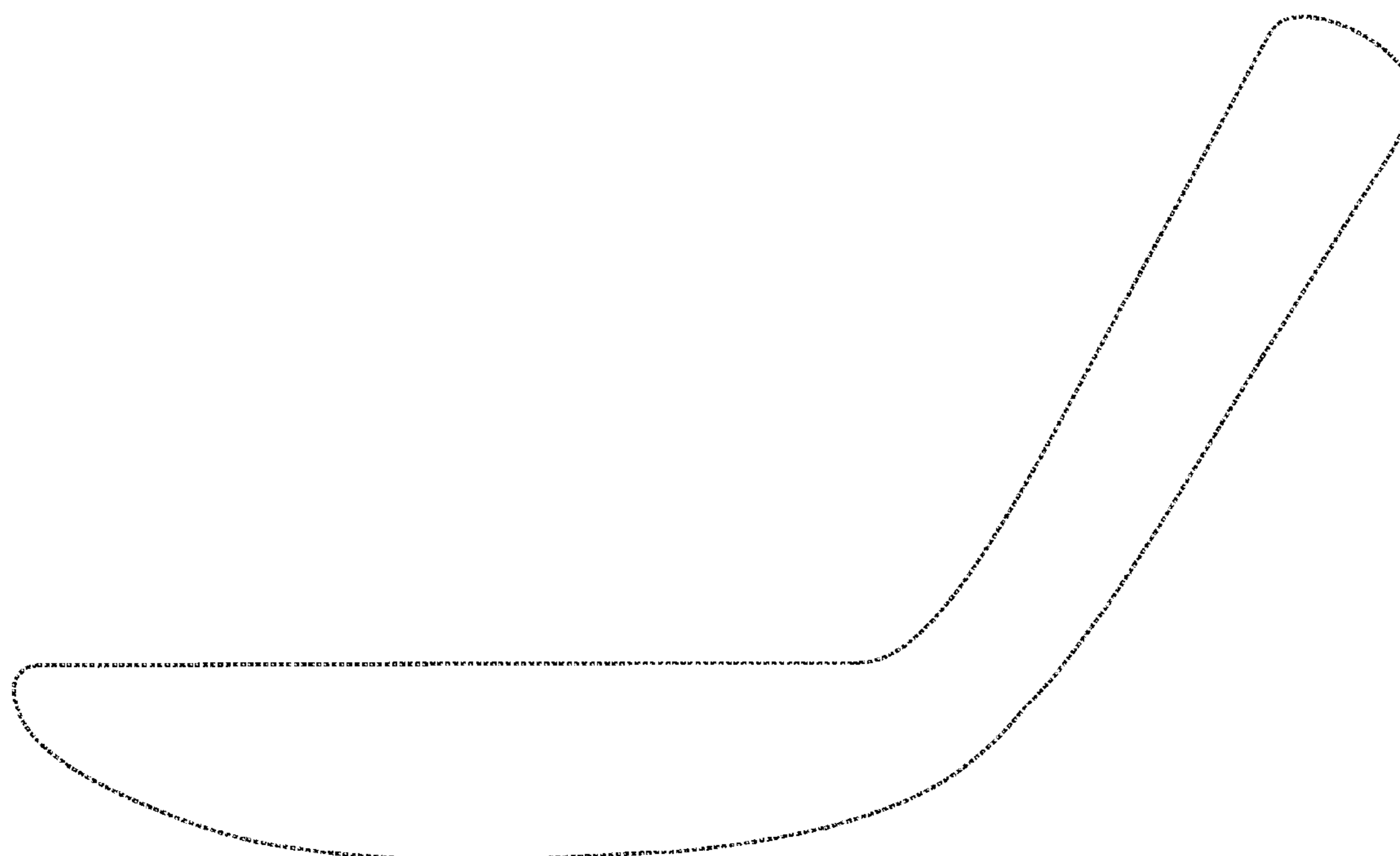


FIG. 16



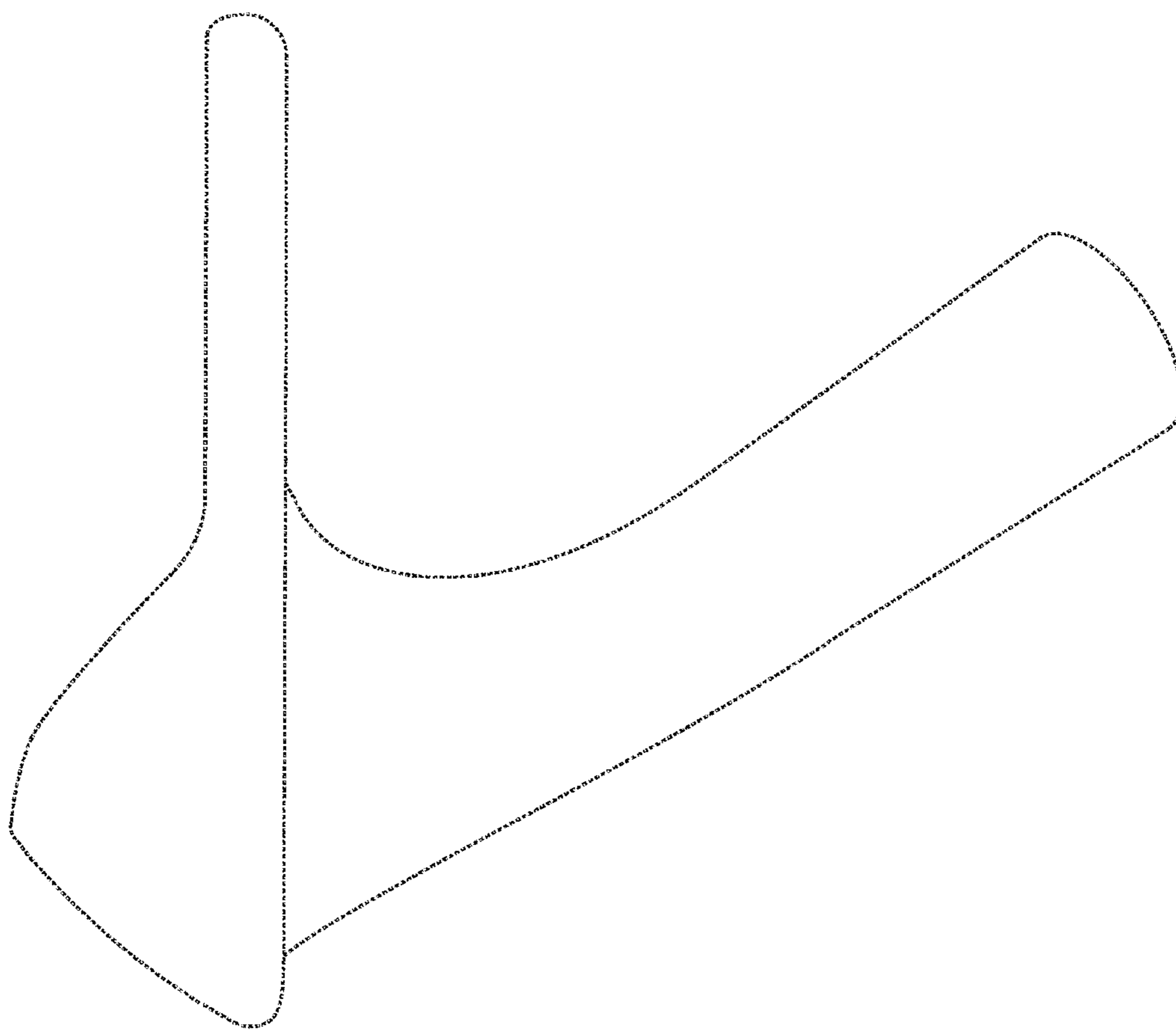


FIG. 17

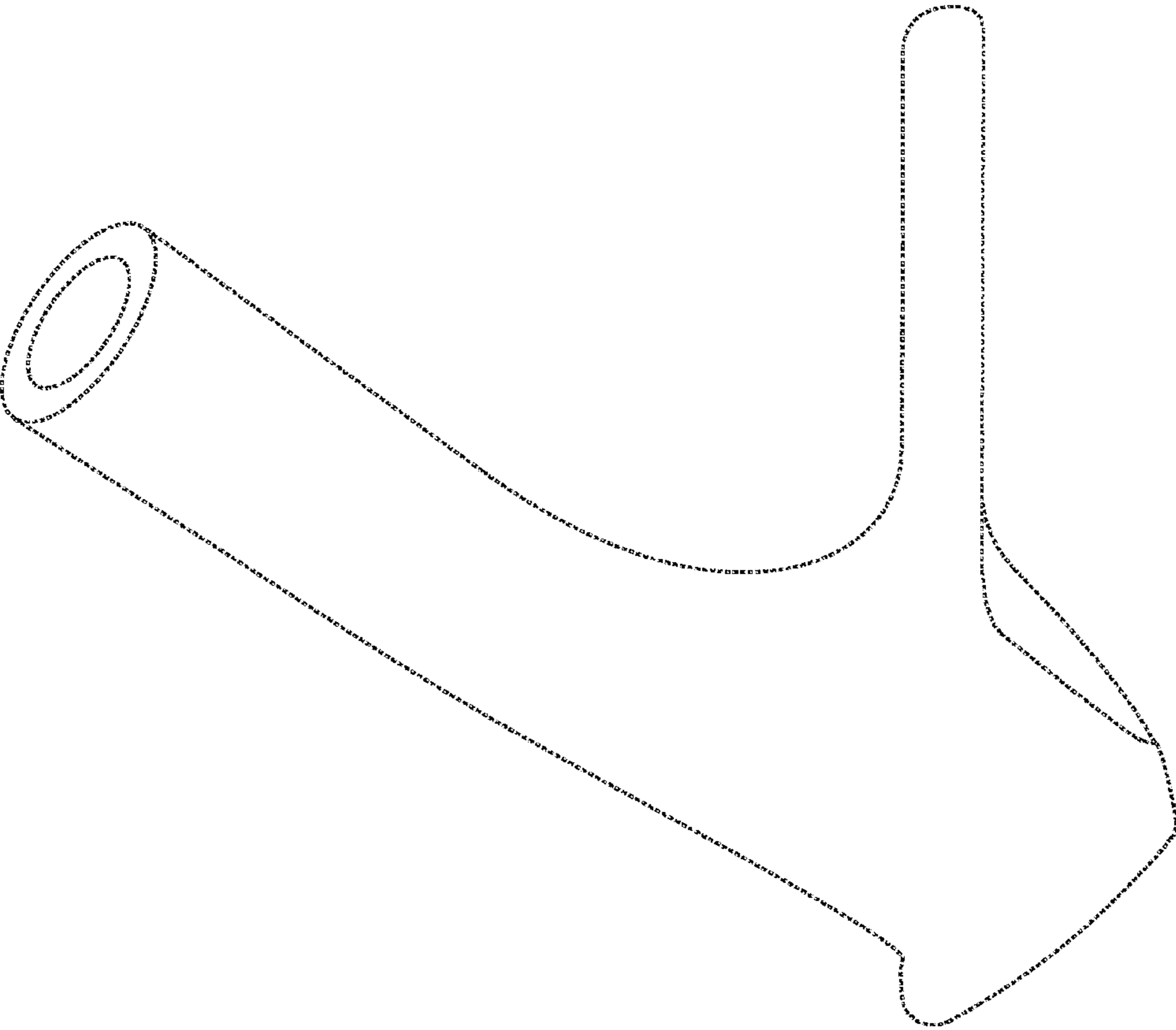


FIG. 18

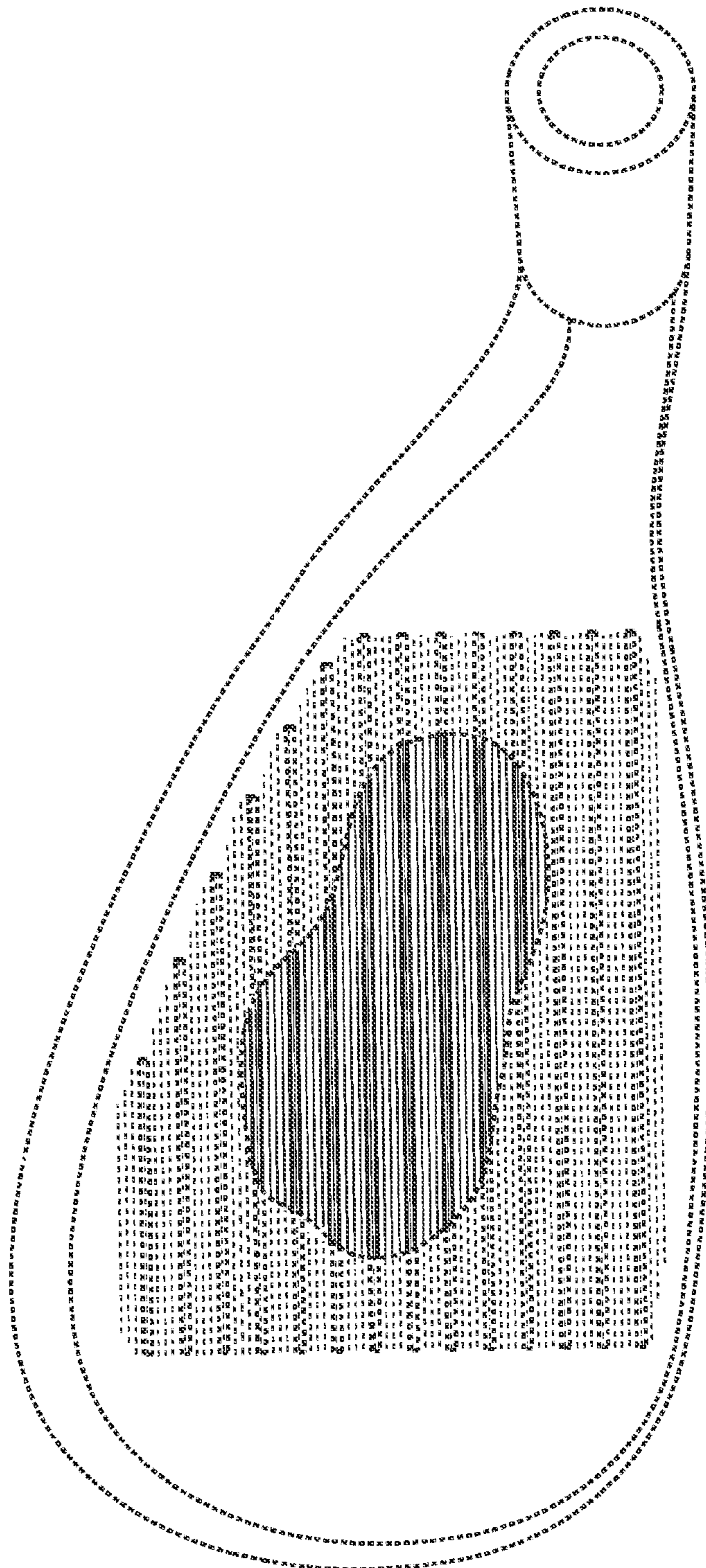


FIG. 19

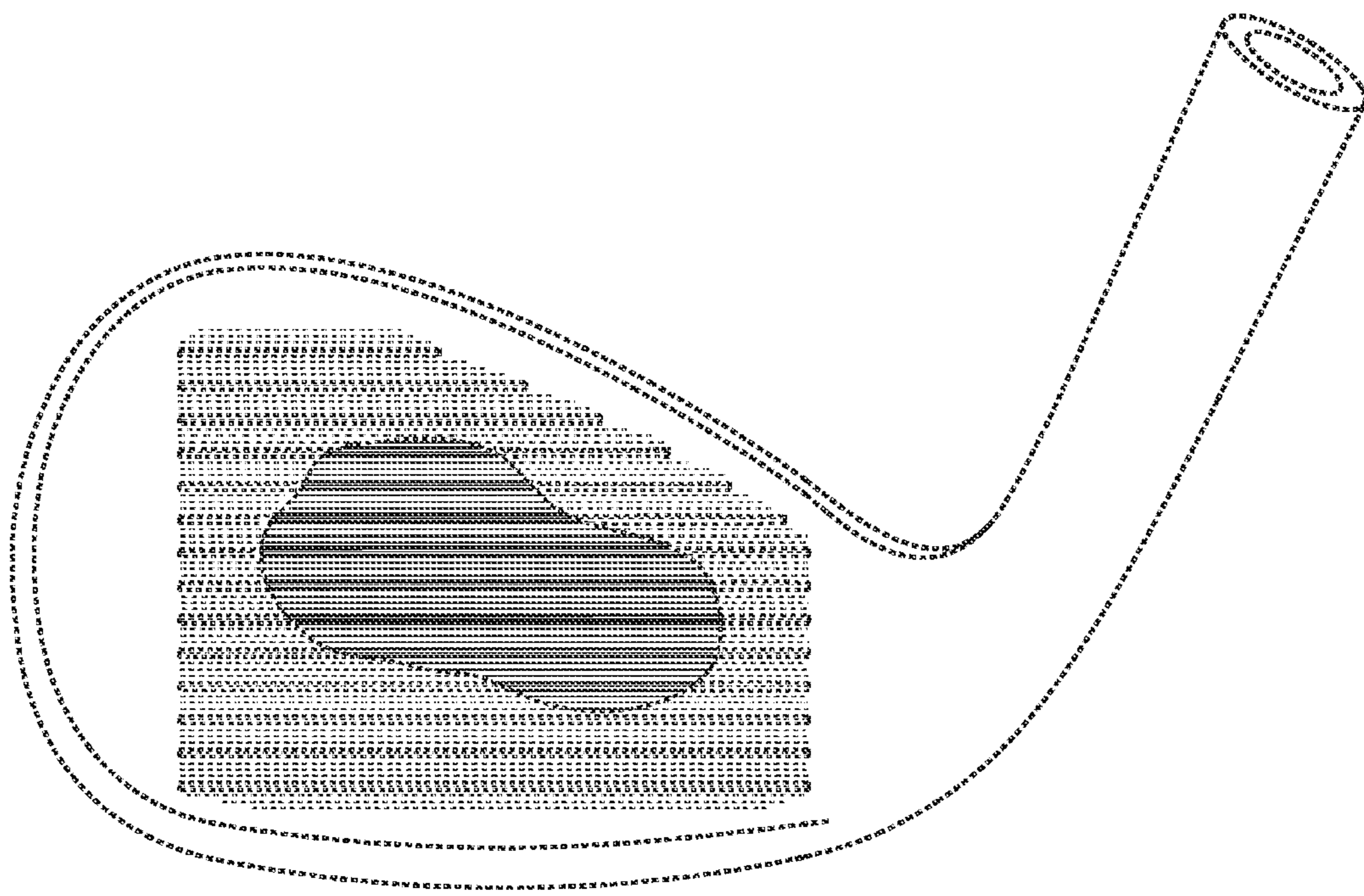


FIG. 20

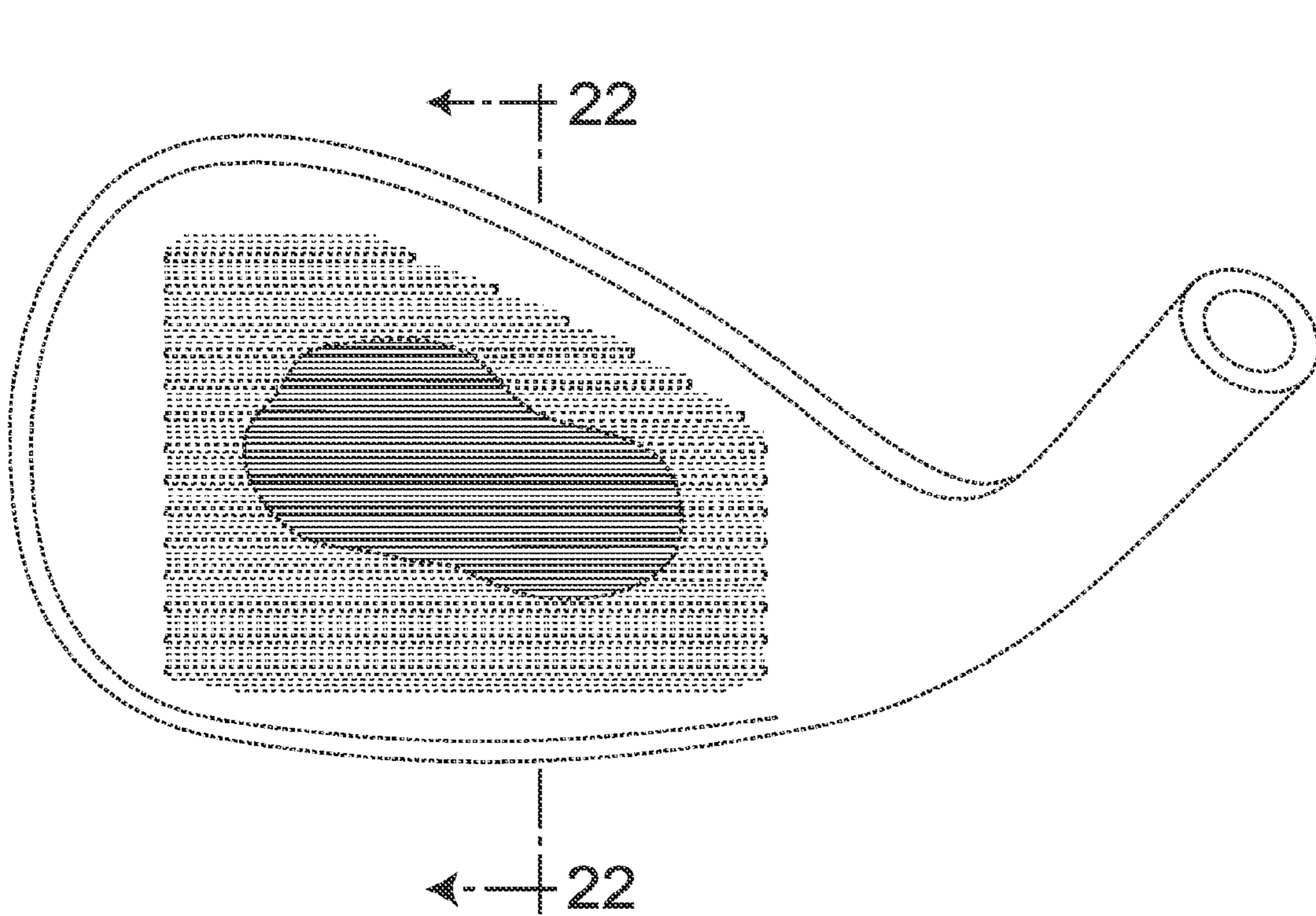


FIG. 21



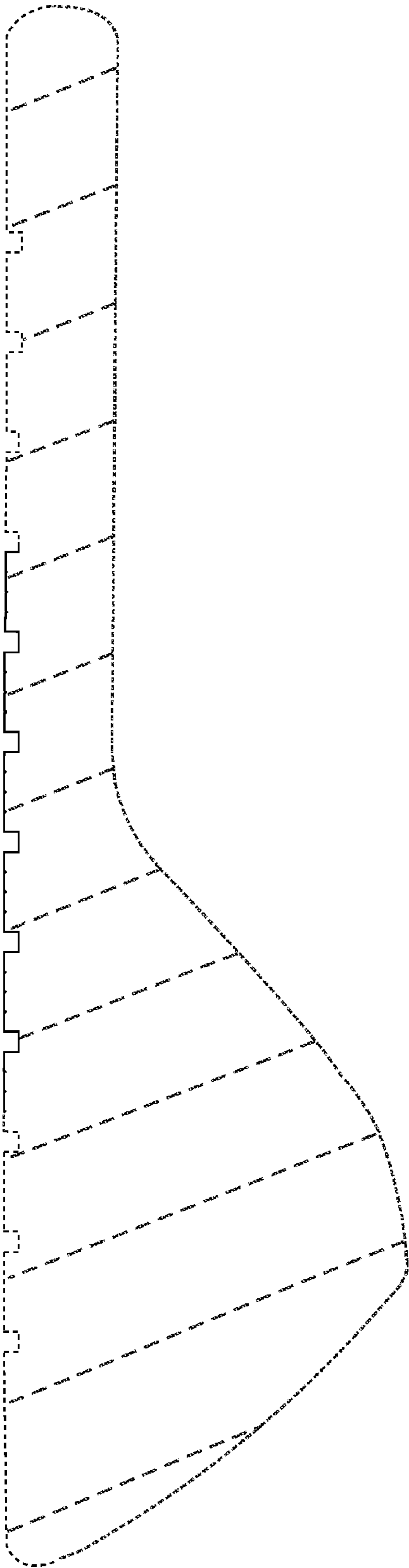


FIG. 22

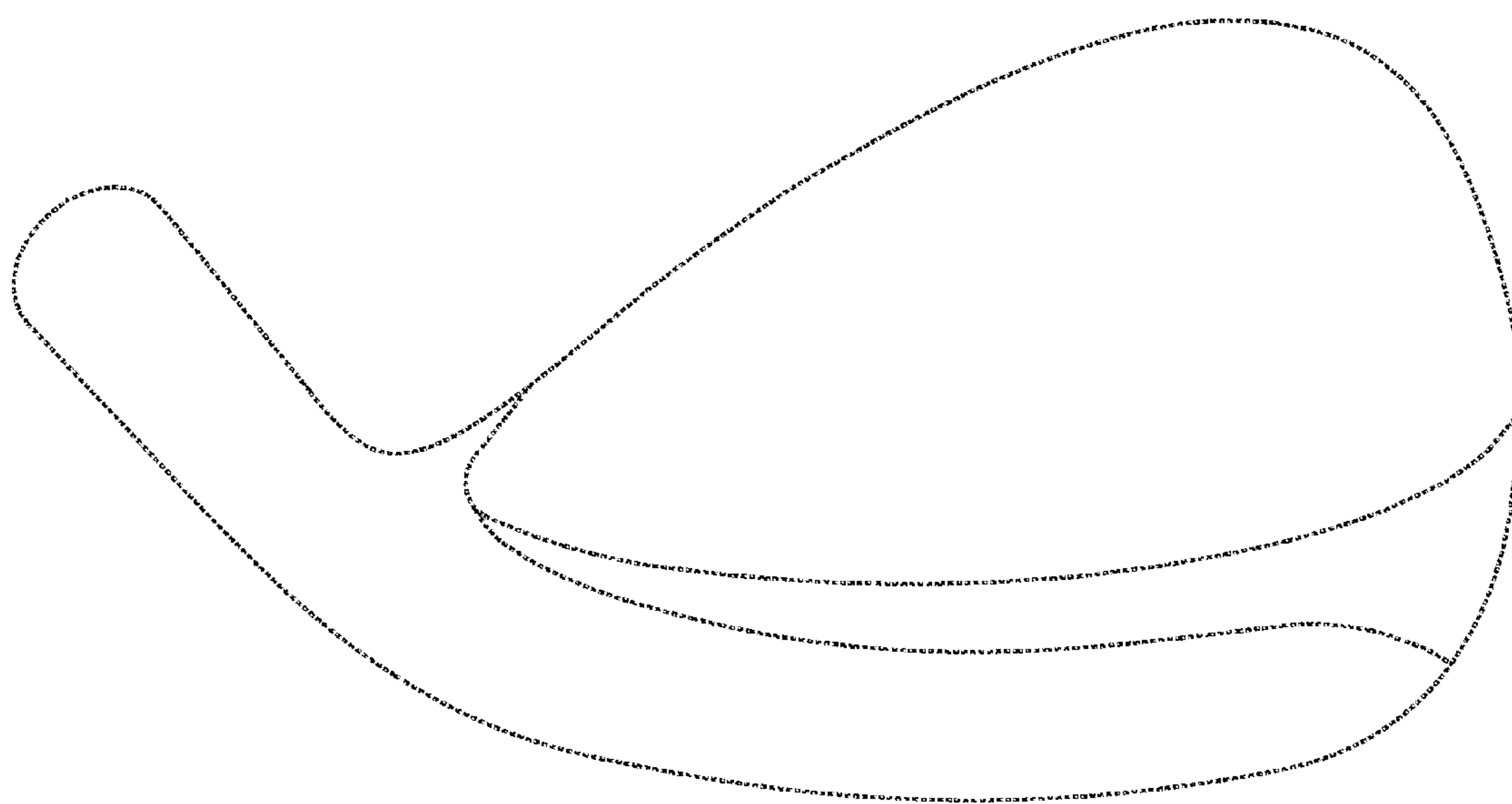


FIG. 23

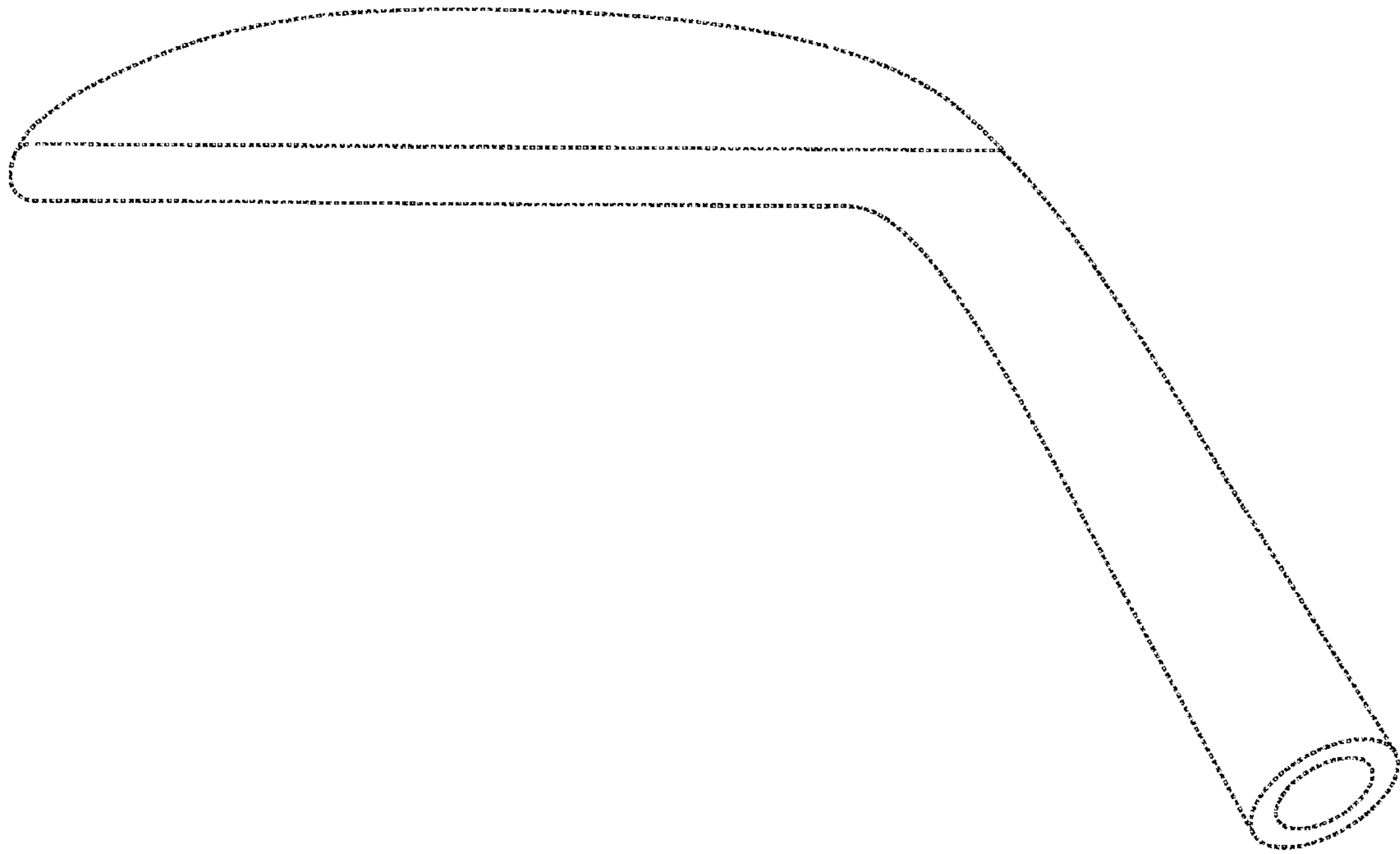


FIG. 24

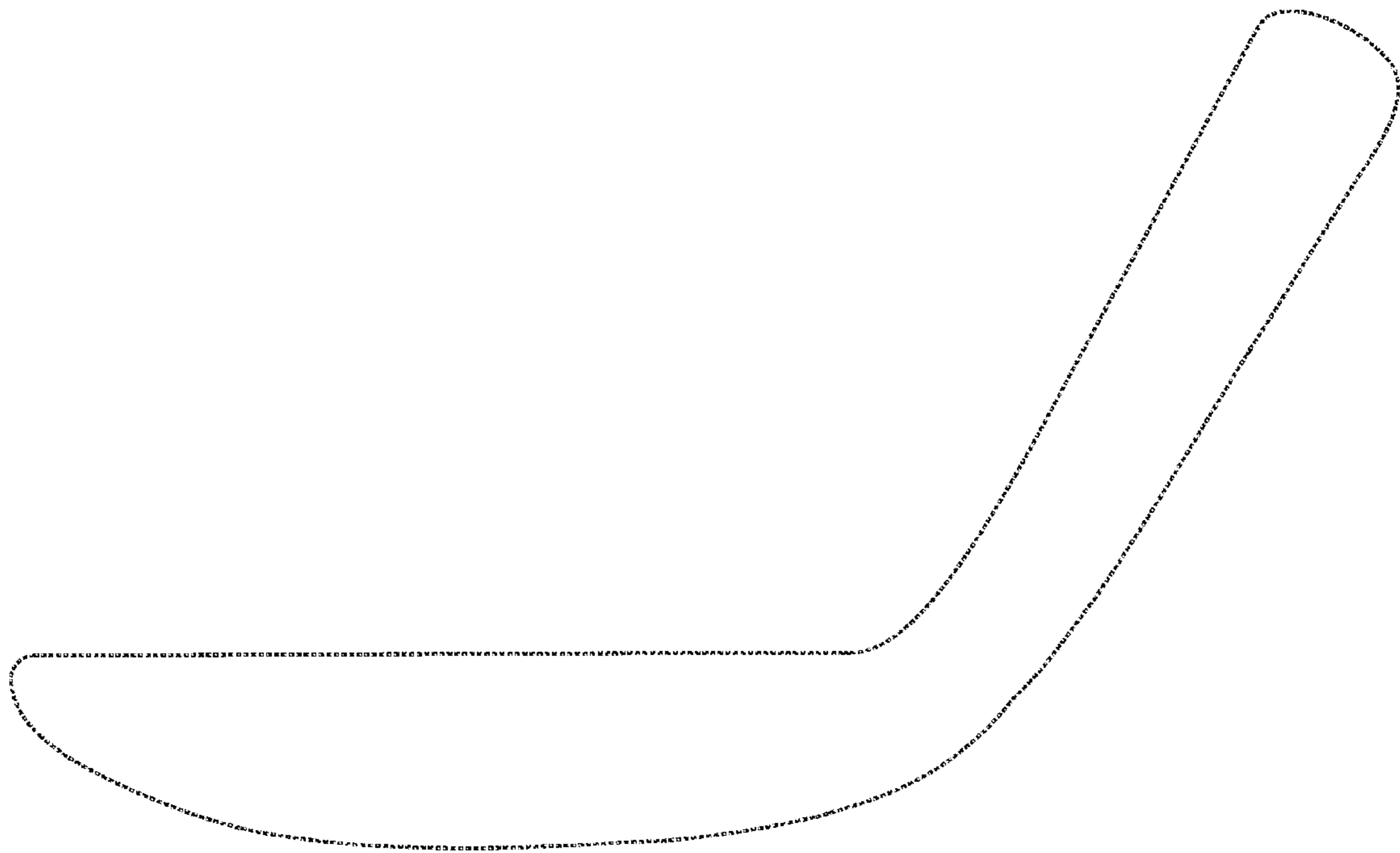


FIG. 25

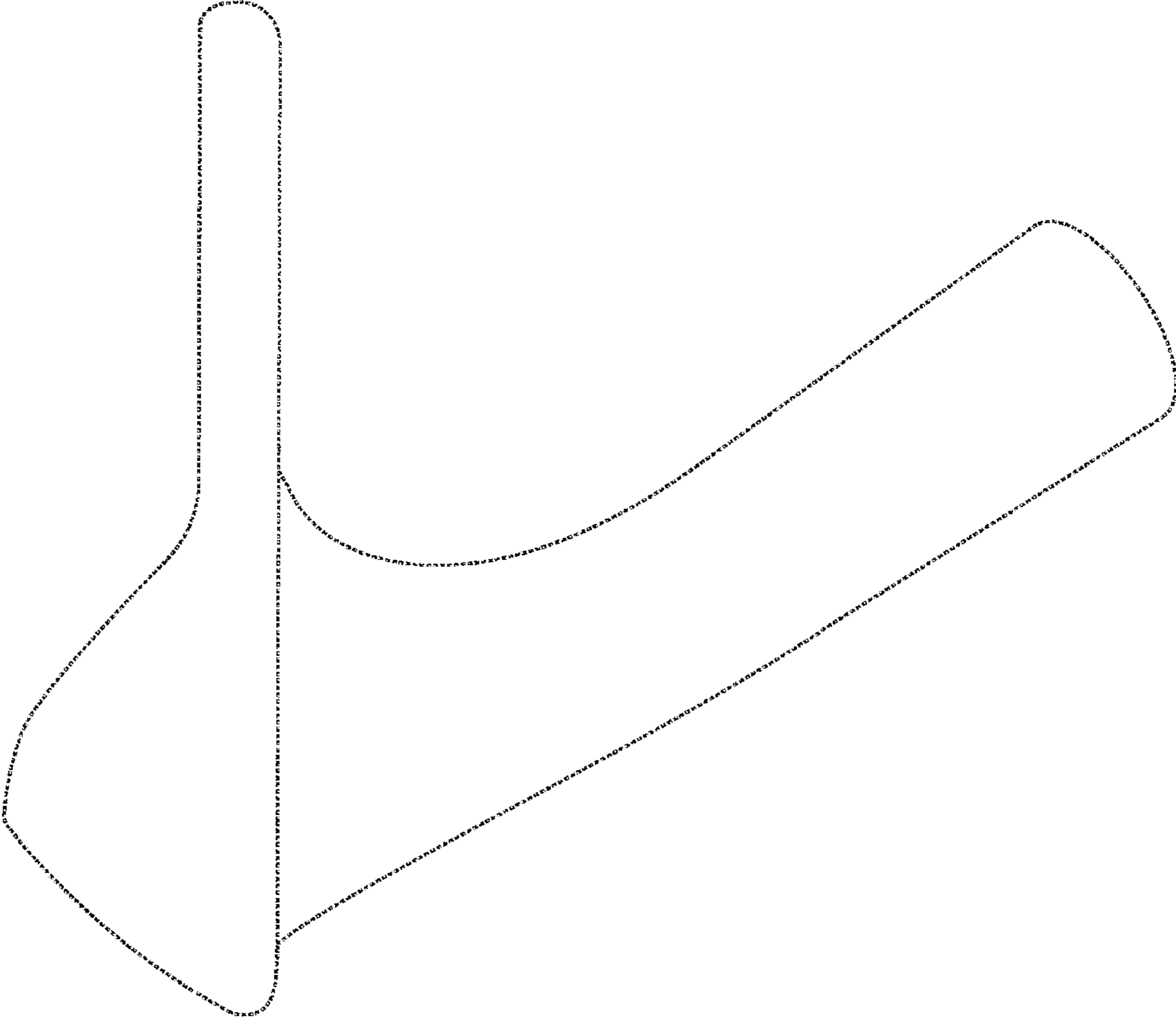


FIG. 26



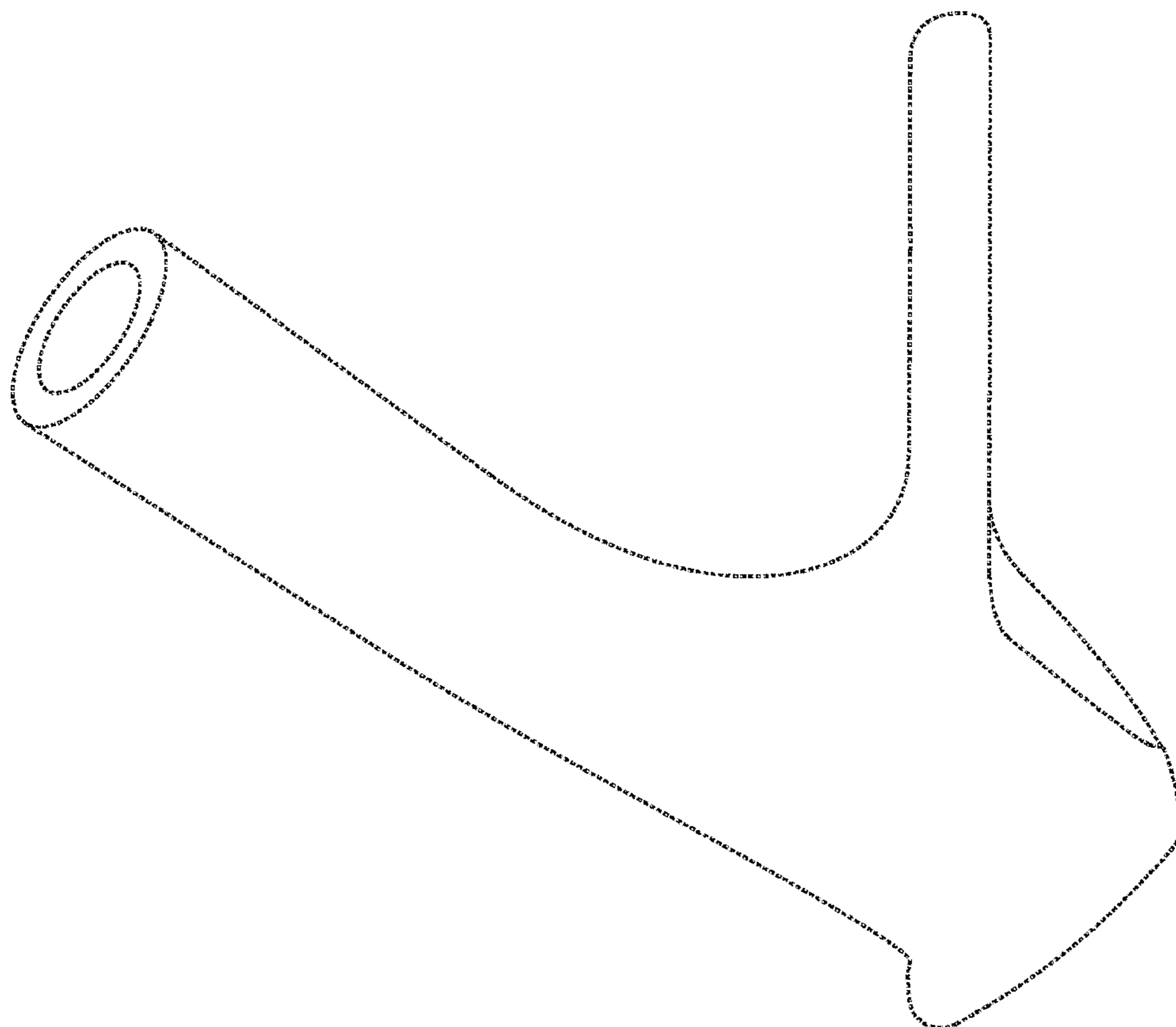


FIG. 27

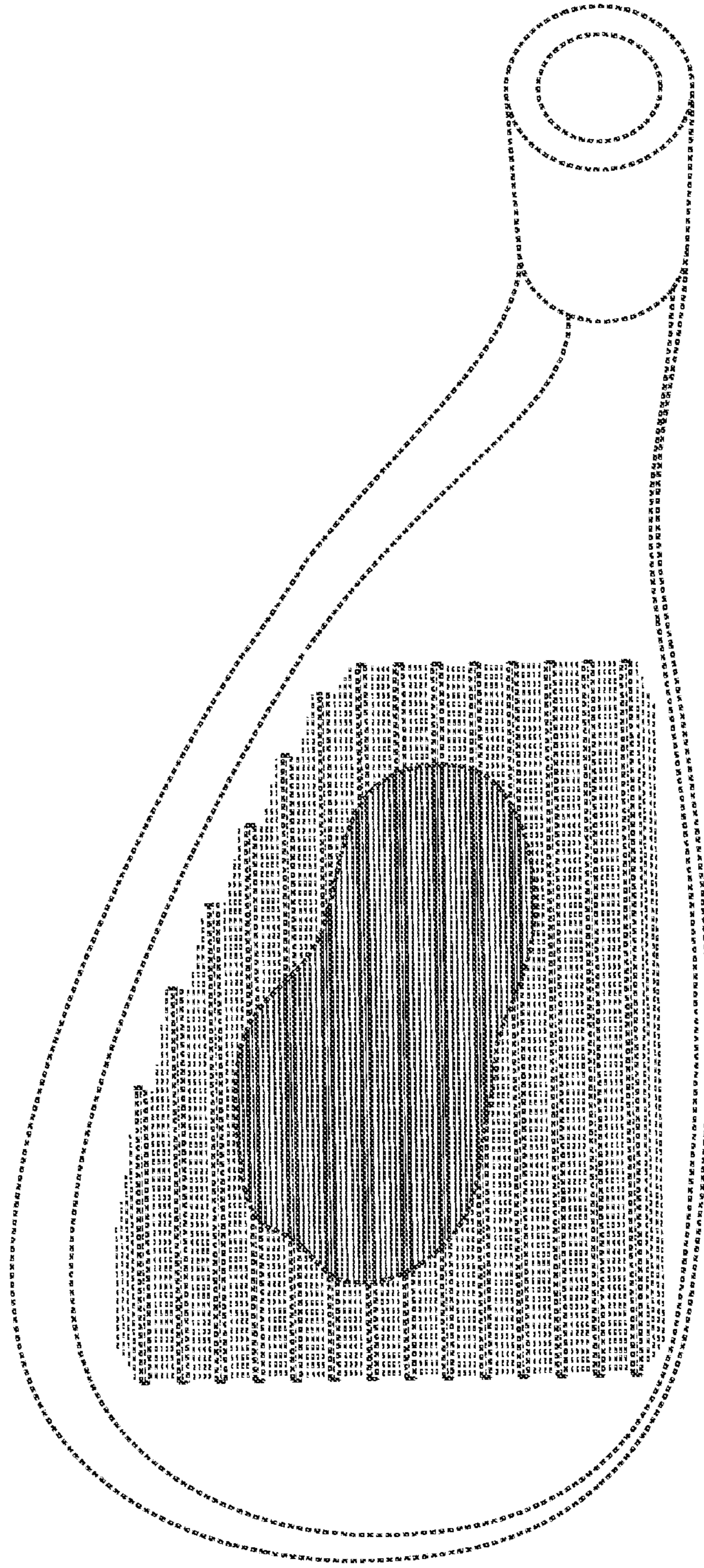


FIG. 28

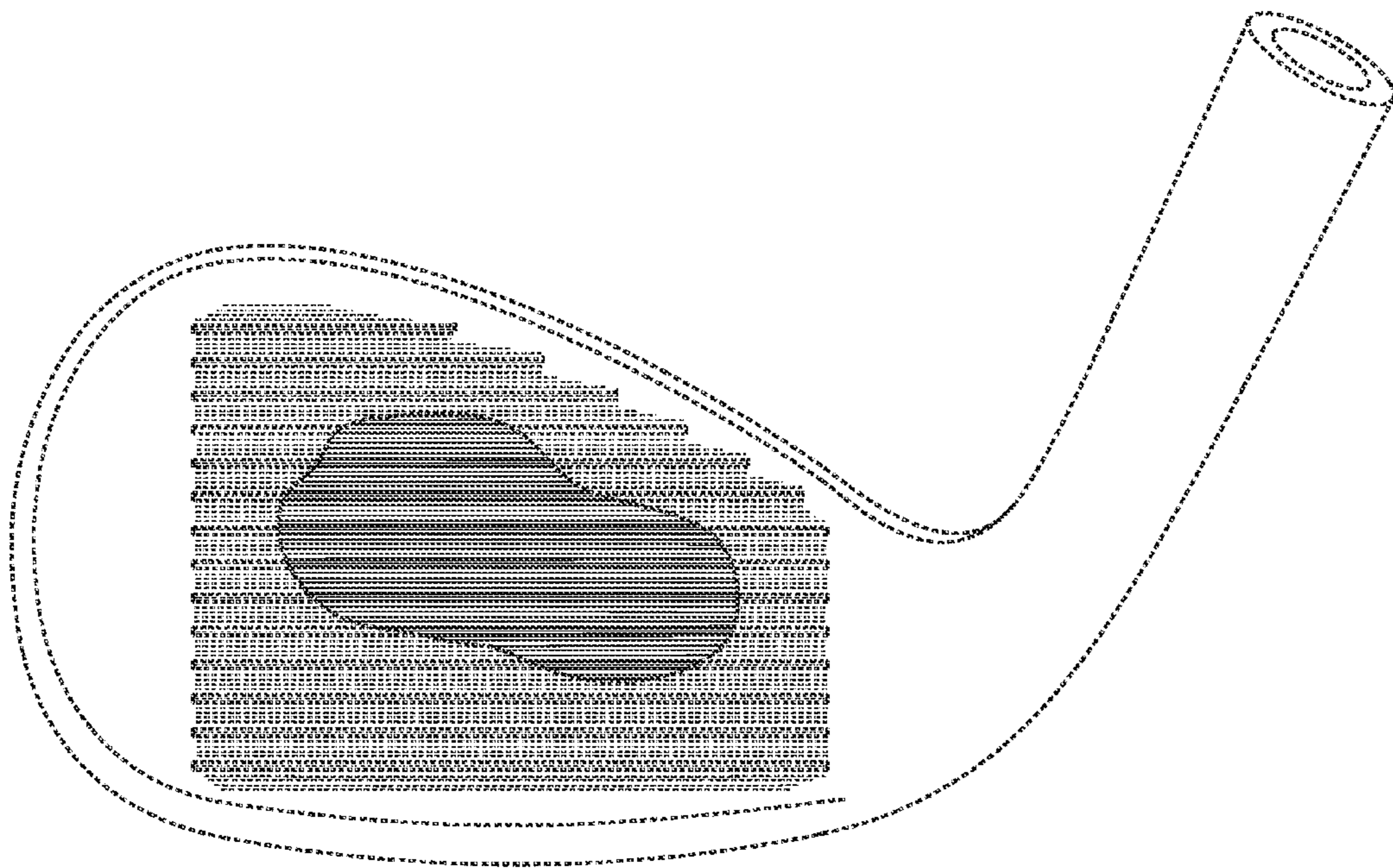


FIG. 29

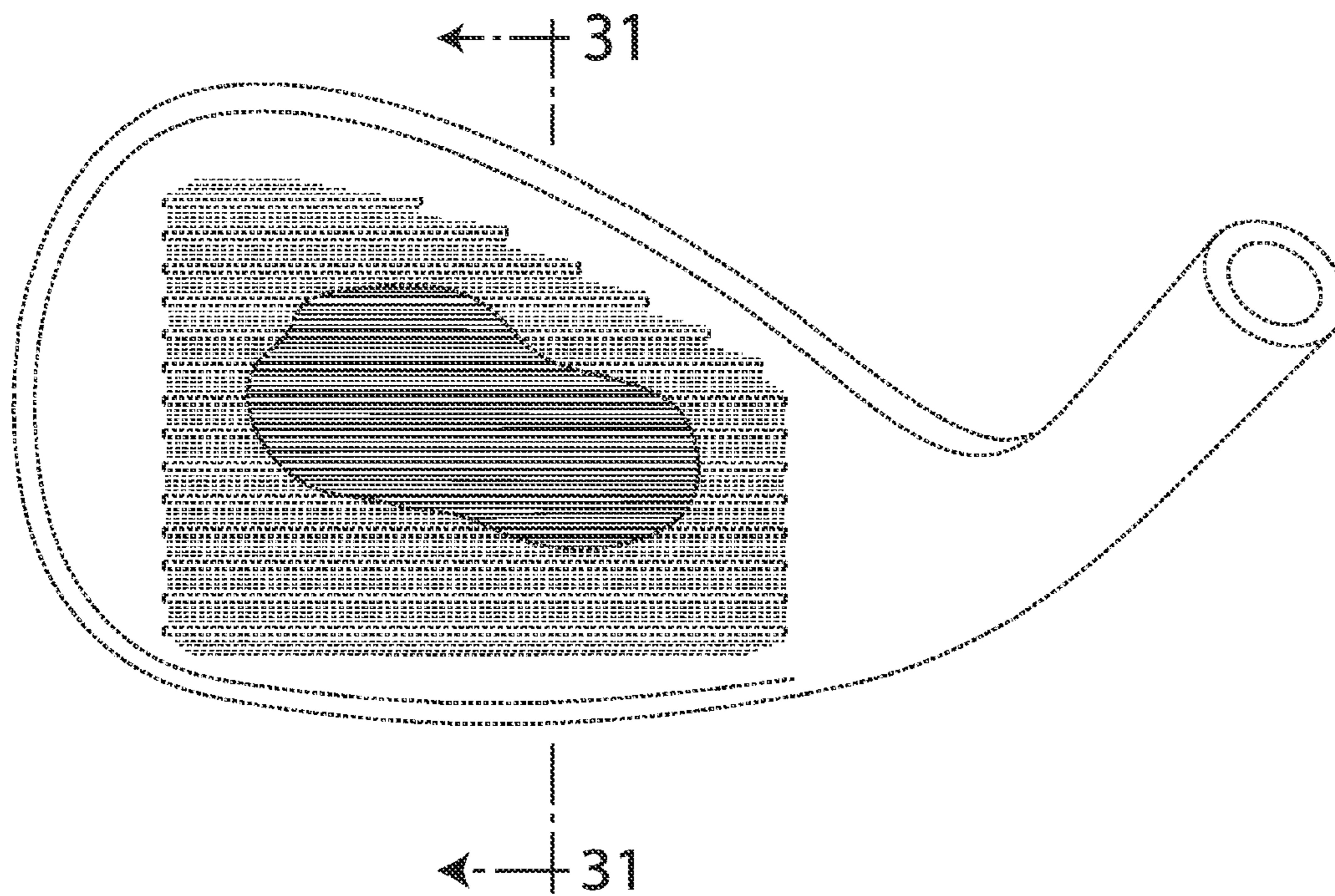


FIG. 30

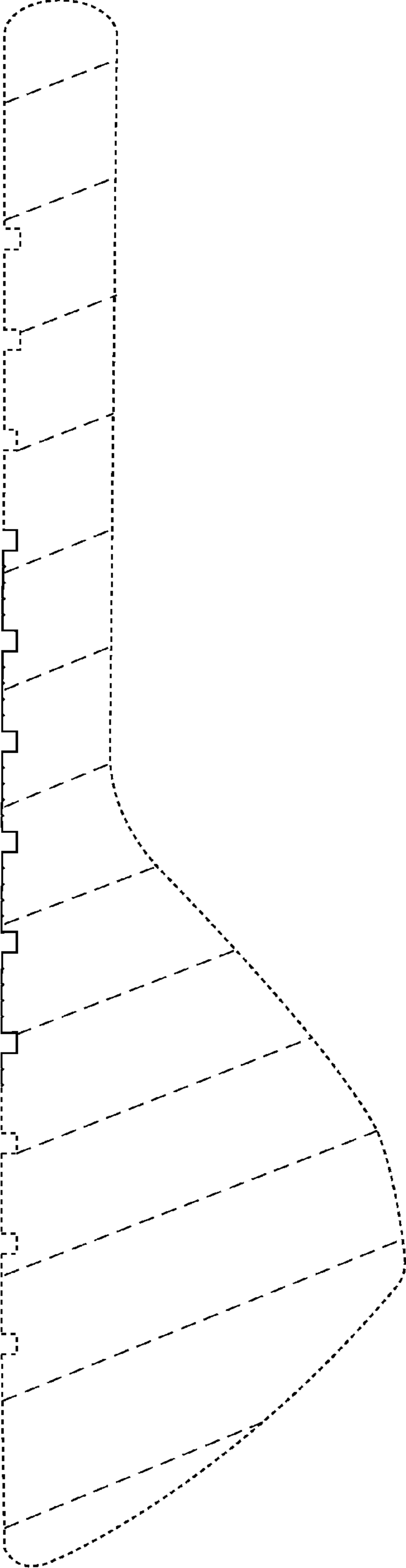


FIG. 31



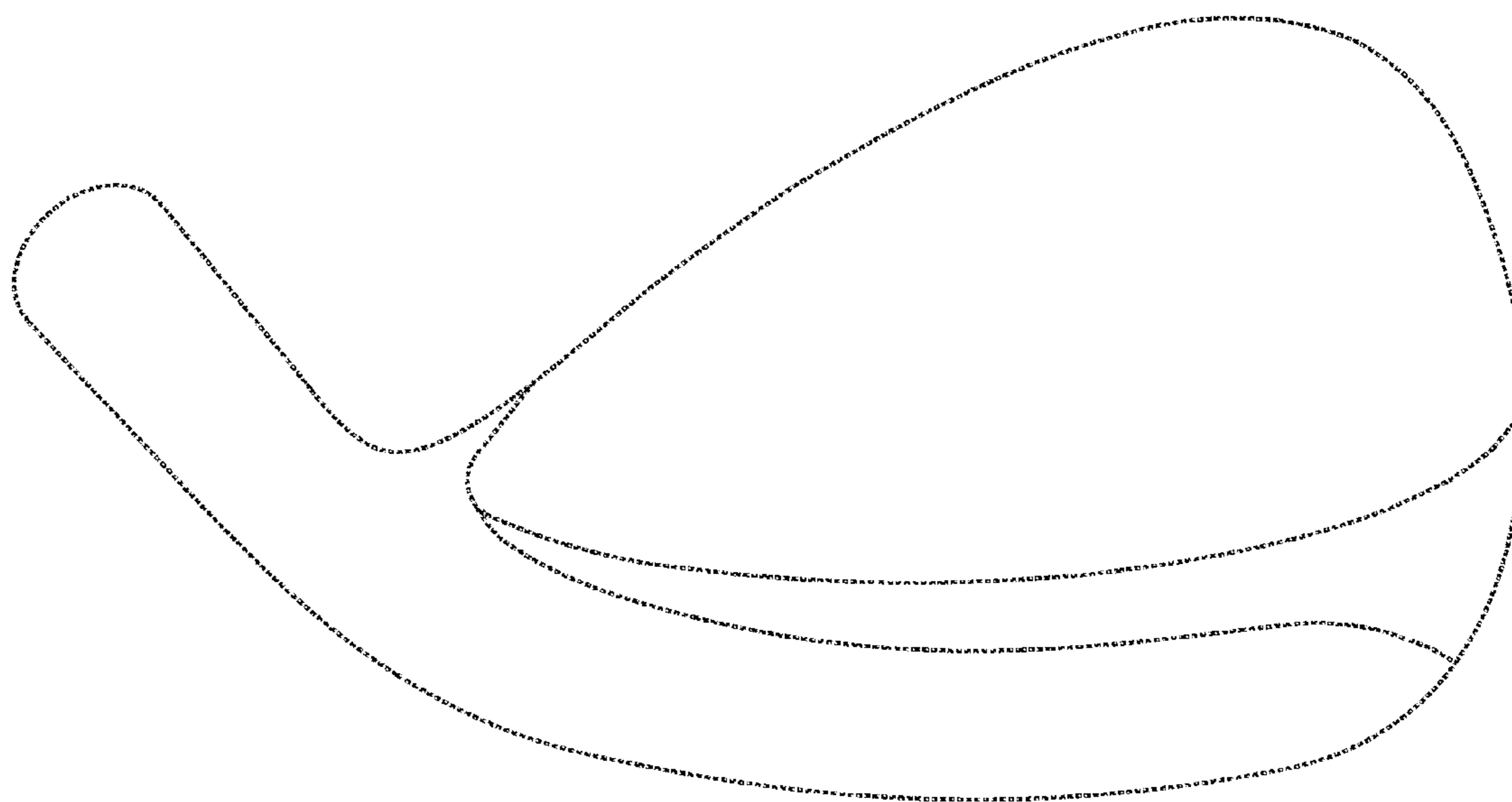


FIG. 32

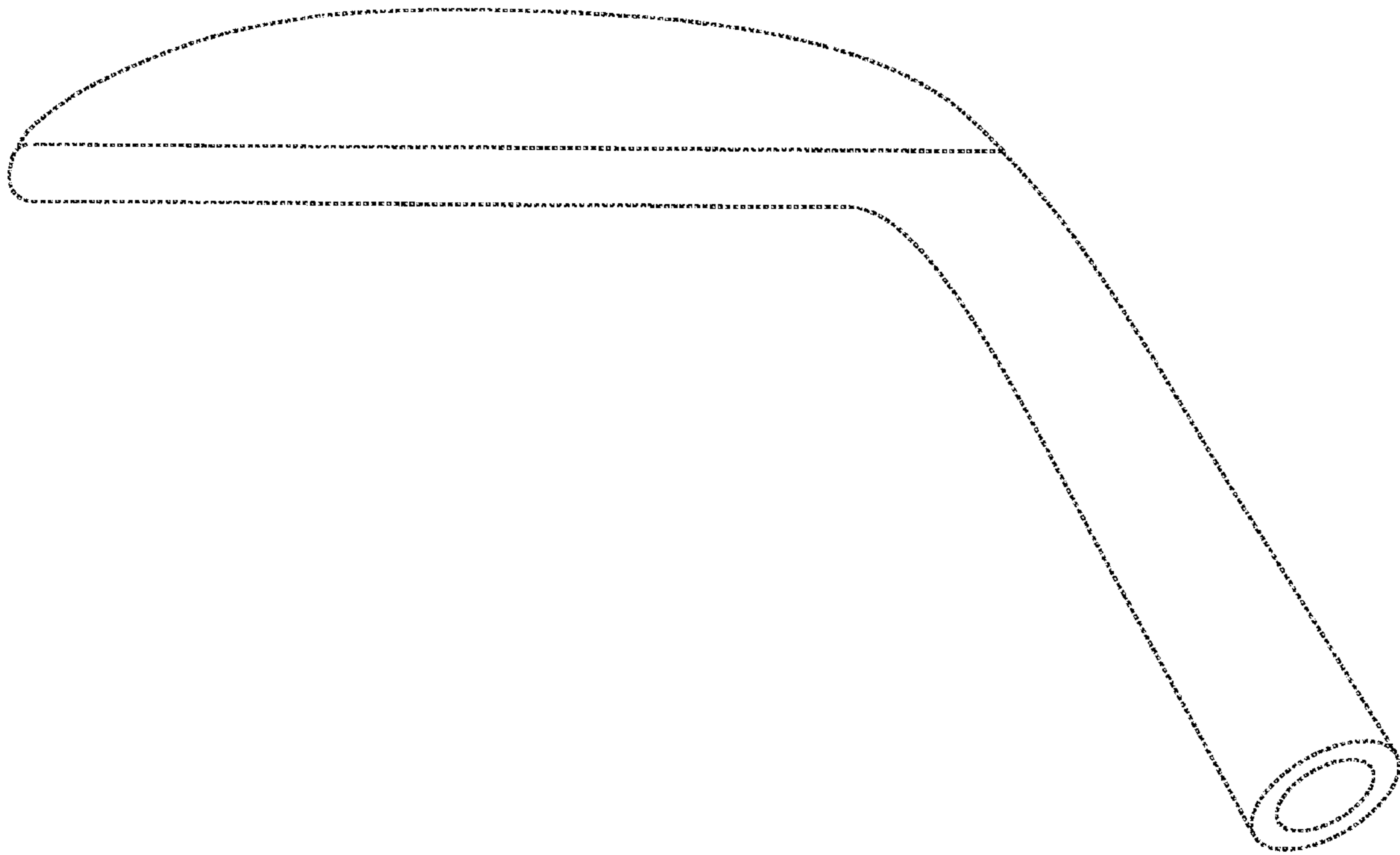


FIG. 33



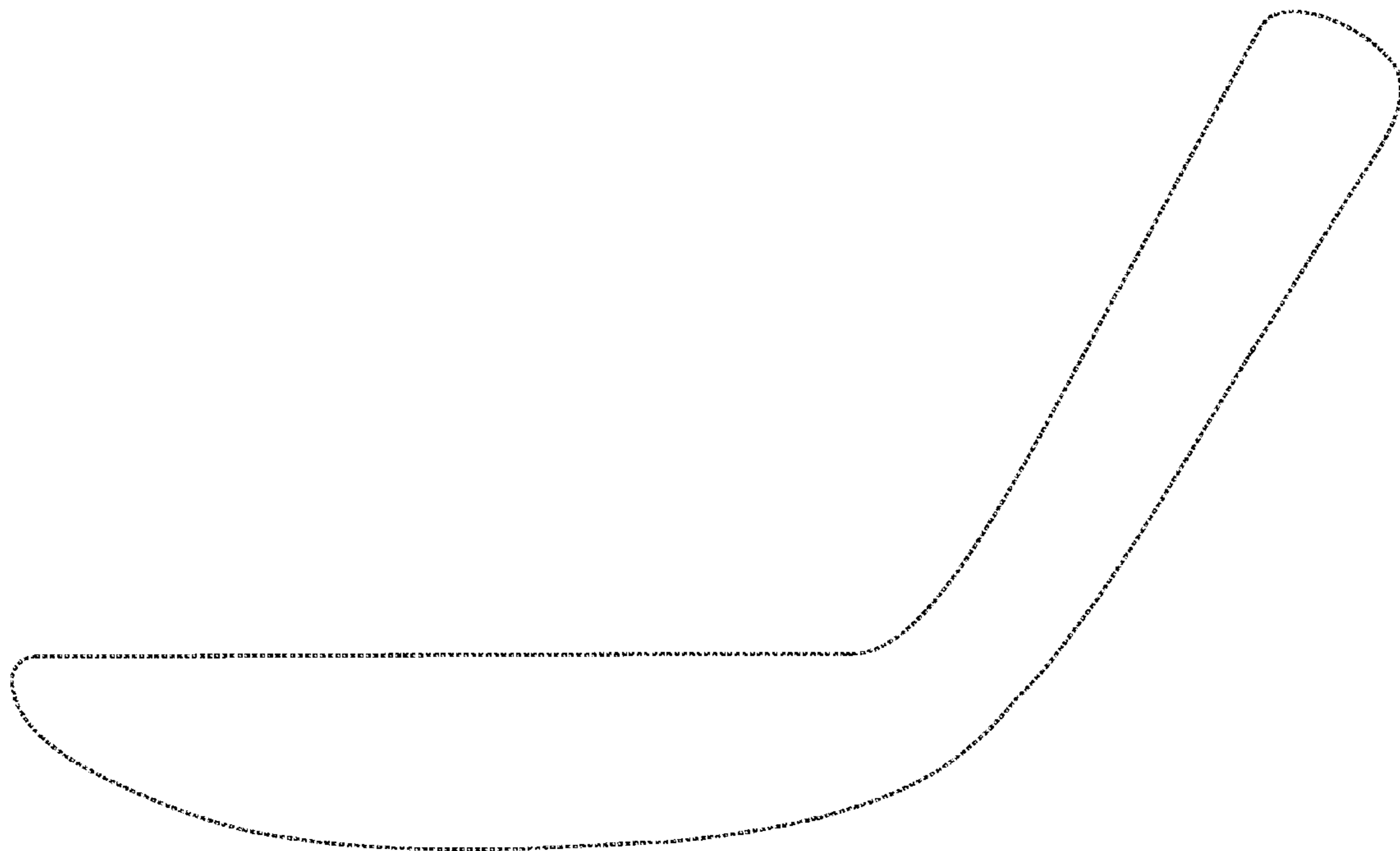


FIG. 34

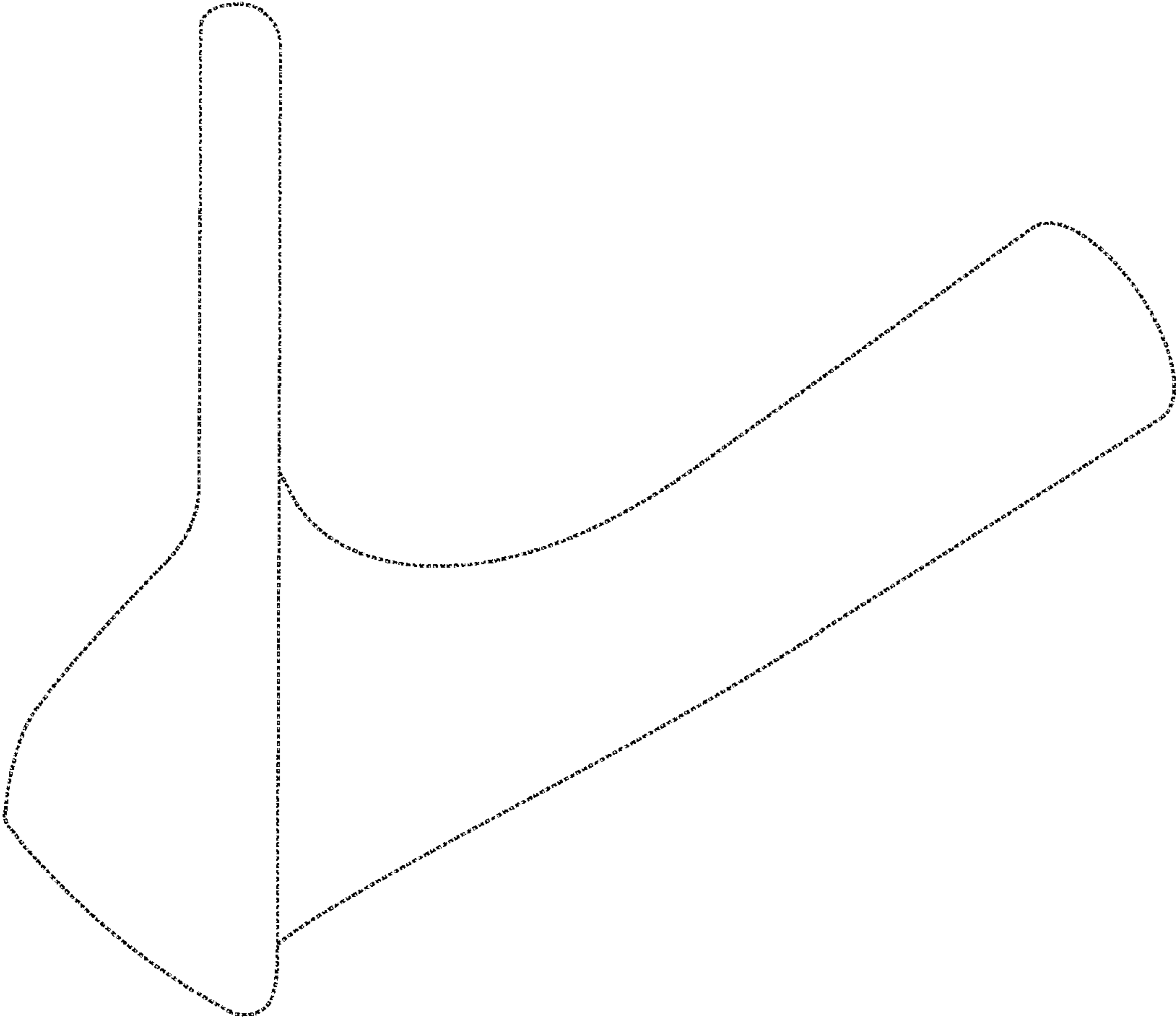


FIG. 35

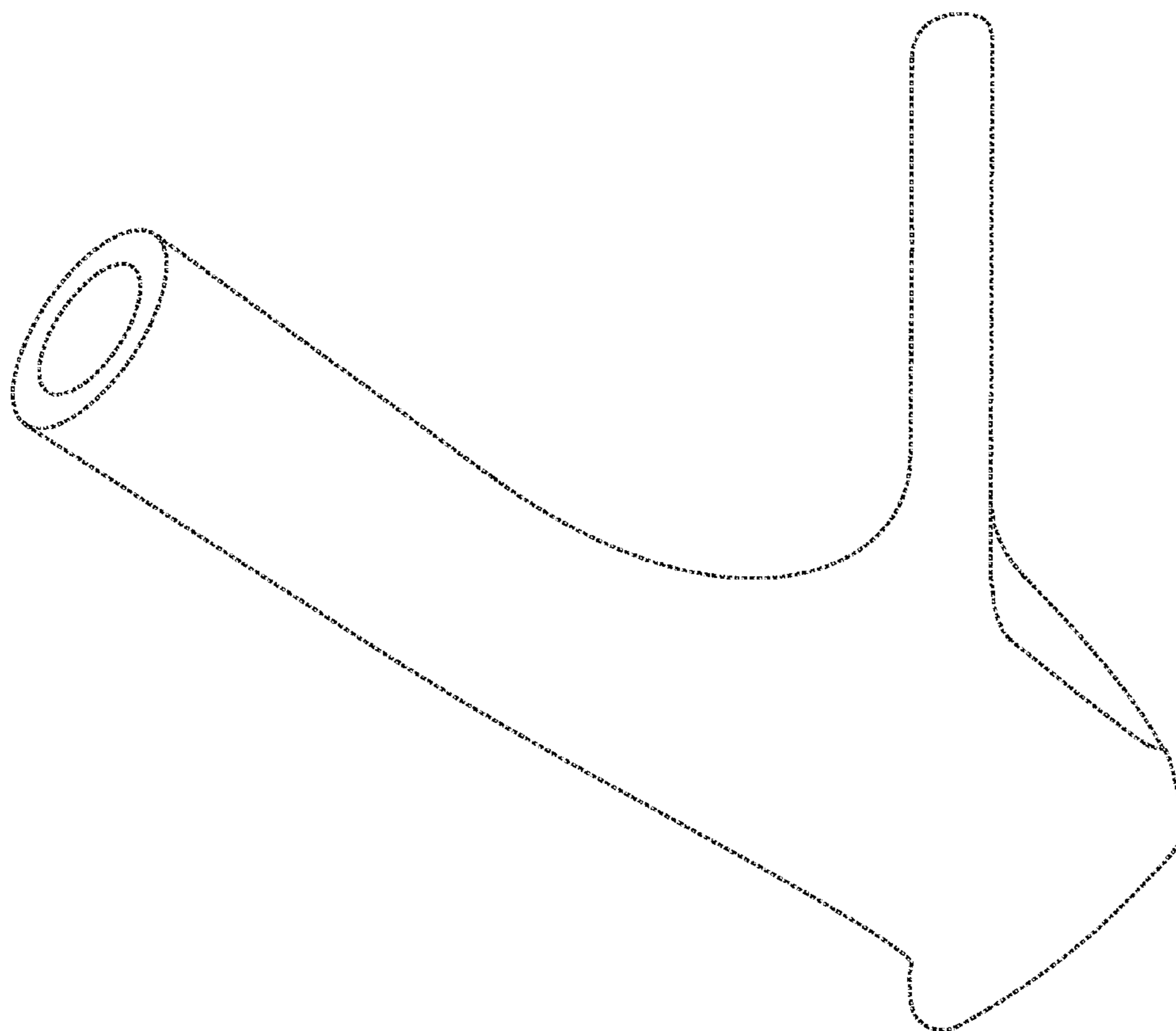


FIG. 36