



US00D617404S

(12) **United States Design Patent**
McGuire

(10) **Patent No.:** **US D617,404 S**
(45) **Date of Patent:** **** Jun. 8, 2010**

(54) **GOLF CLUB HEAD COVER**

2007/0023116 A1 2/2007 Chen

(75) Inventor: **Brian J. McGuire**, Tempe, AZ (US)

(73) Assignee: **Karsten Manufacturing Corporation**,
Phoenix, AZ (US)

(**) Term: **14 Years**

(21) Appl. No.: **29/340,873**

(22) Filed: **Jul. 27, 2009**

(51) **LOC (9) Cl.** **21-02**

(52) **U.S. Cl.** **D21/754**

(58) **Field of Classification Search** D21/754;
150/160

See application file for complete search history.

(56) **References Cited**

U.S. PATENT DOCUMENTS

D484,210 S *	12/2003	Oldknow et al.	D21/754
D508,101 S *	8/2005	Chen et al.	D21/754
D527,435 S	8/2006	Chen		
D527,779 S *	9/2006	Chen	D21/754
D529,113 S *	9/2006	Chen	D21/754
D535,344 S	1/2007	Chen		
D561,858 S *	2/2008	Chen	D21/754
D565,682 S	4/2008	Chen et al.		
D576,238 S *	9/2008	Chen	D21/754
D576,239 S *	9/2008	Chen	D21/754
D576,697 S	9/2008	Chen		
D585,102 S	1/2009	Chen		
D585,512 S *	1/2009	Quartarone, III	D21/754
D590,464 S	4/2009	Chen		
D590,901 S *	4/2009	Chen	D21/754

OTHER PUBLICATIONS

Brian J. McGuire, "Golf Club Head Cover," U.S. Appl. No. 29/340,875, filed Jul. 27, 2009.

Brian J. McGuire, "Golf Club Head Cover," U.S. Appl. No. 29/340,876, filed Jul. 27, 2009.

* cited by examiner

Primary Examiner—Mitchell I Siegel

(57) **CLAIM**

The ornamental design for a golf club head cover, as shown and described.

DESCRIPTION

FIG. 1 is a perspective front view of a golf club head cover;

FIG. 2 is a front view of the golf club head cover of FIG. 1;

FIG. 3 is a rear view of the golf club head cover of FIG. 1;

FIG. 4 is a side view of the golf club head cover of FIG. 1 taken from the right in FIG. 2, the opposite side view taken from the left in FIG. 2 being a mirror image thereof;

FIG. 5 is a bottom plan view of the golf club head cover of FIG. 1;

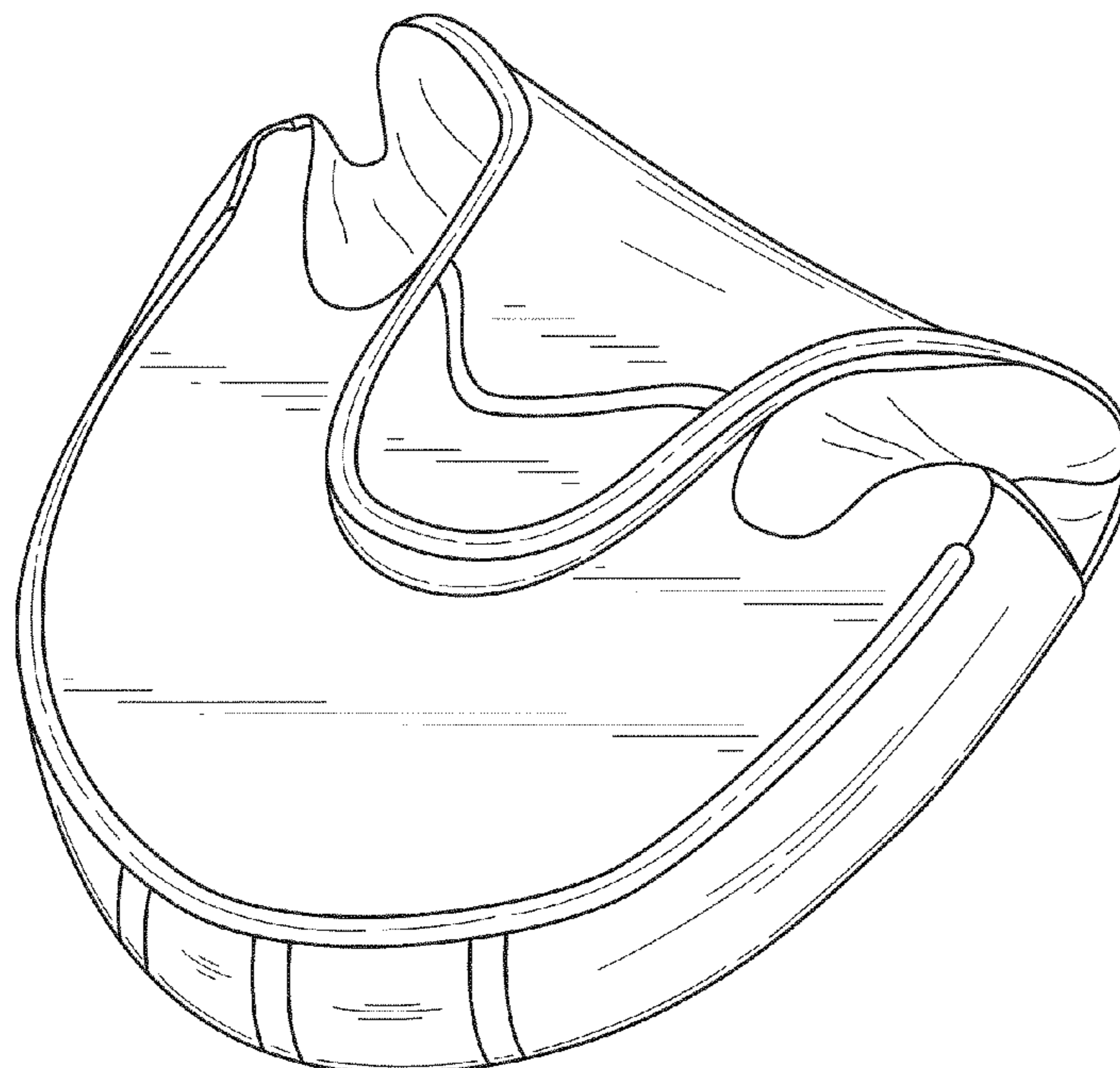
FIG. 6 is a top plan view of the golf club head cover of FIG. 1;

FIG. 7 is a front view of the golf club head cover shown in an alternate position; and,

FIG. 8 is a rear view of the golf club head cover of FIG. 7.

The broken lines shown in one or more of the figures are for illustrative purposes only and form no part of the claimed design.

1 Claim, 7 Drawing Sheets



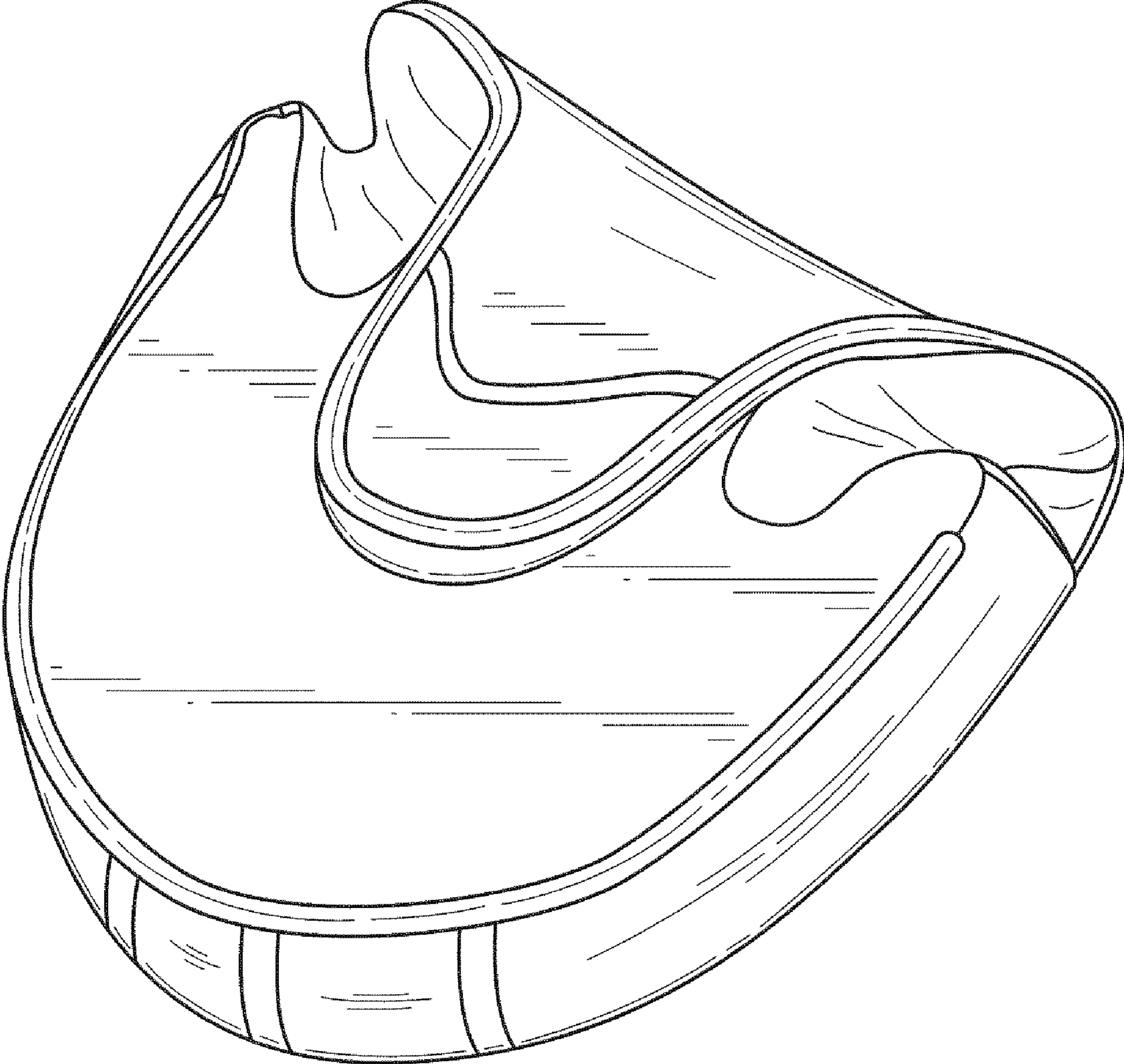


FIG. 1

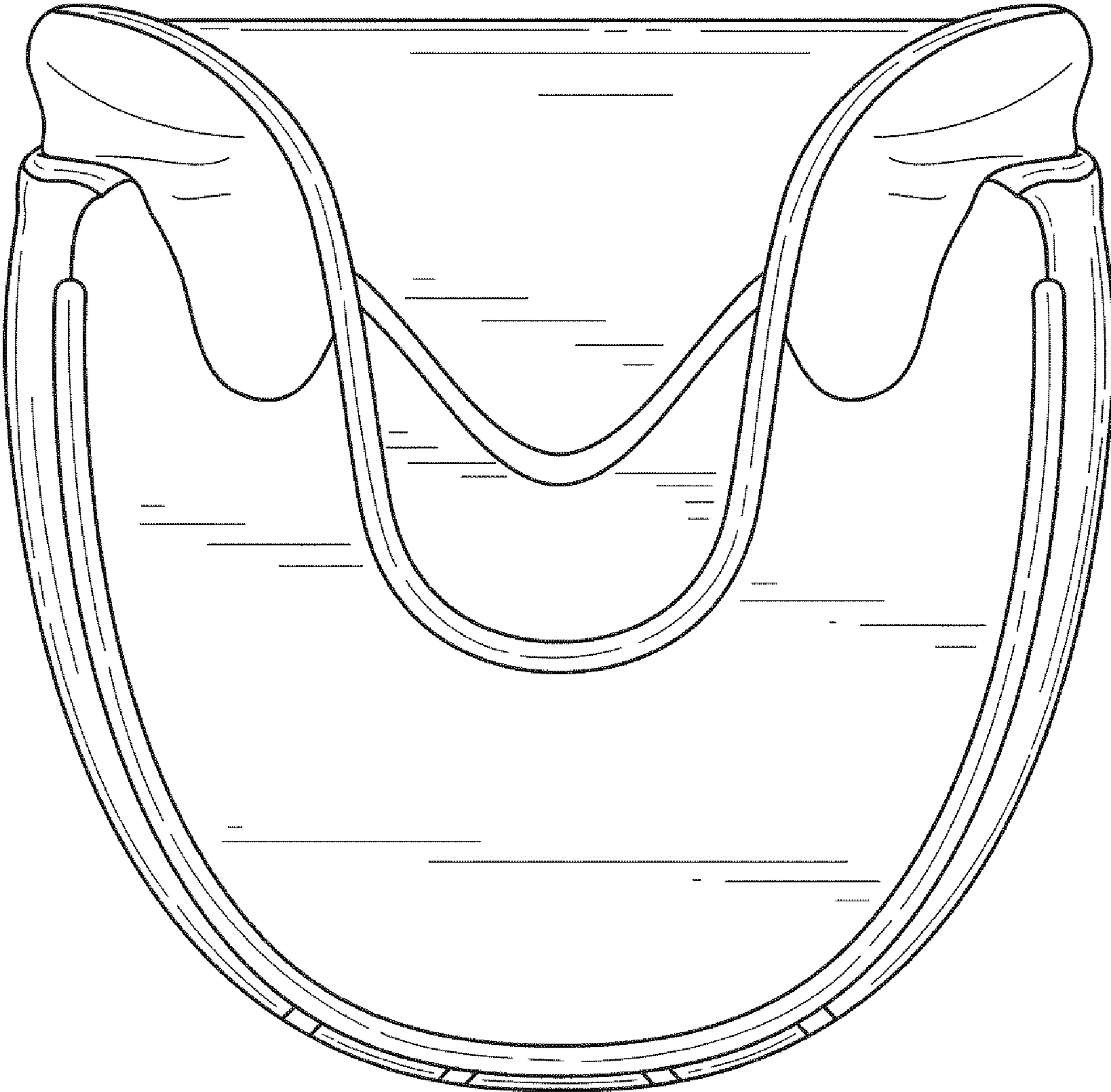


FIG.2

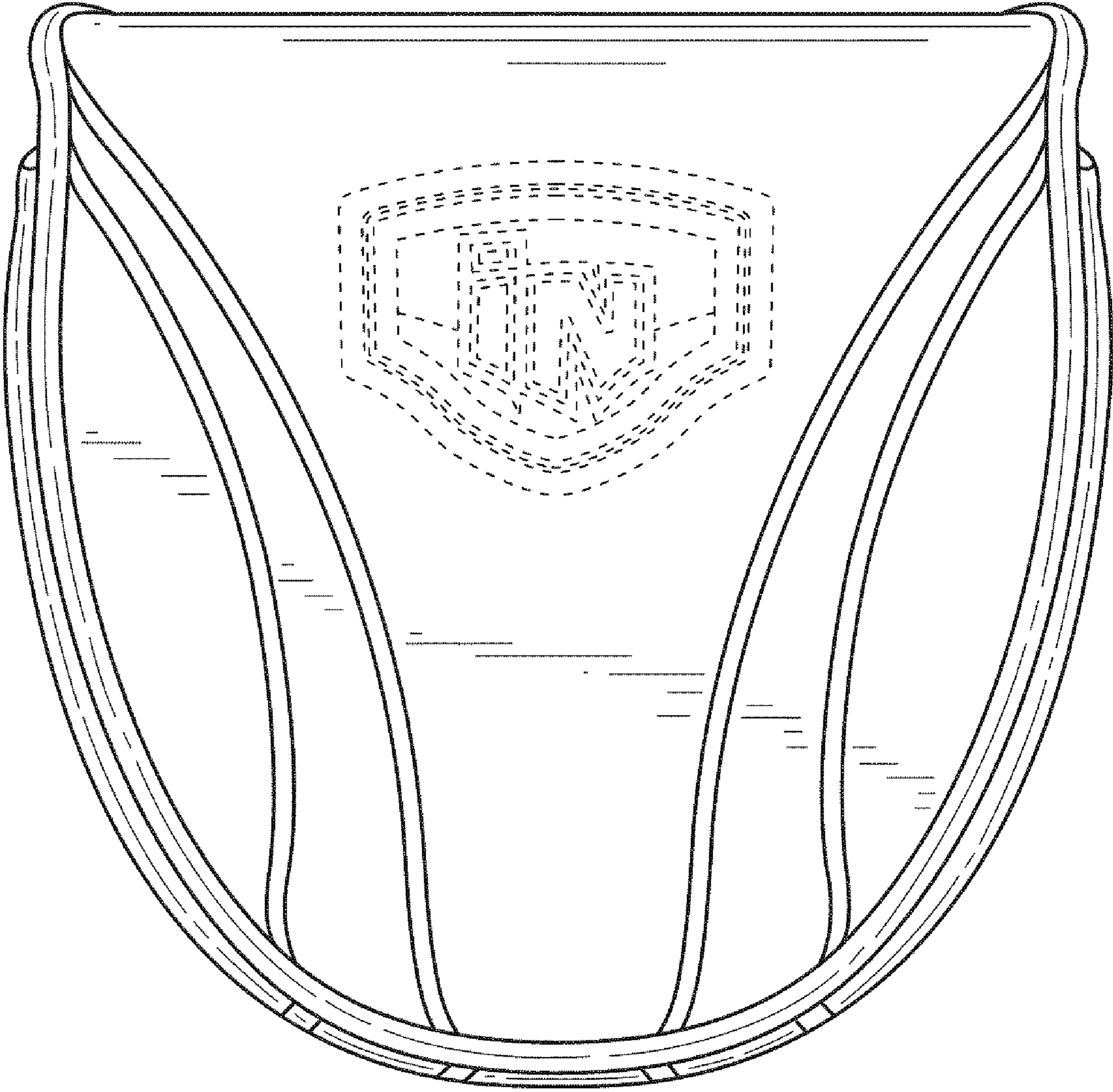


FIG.3

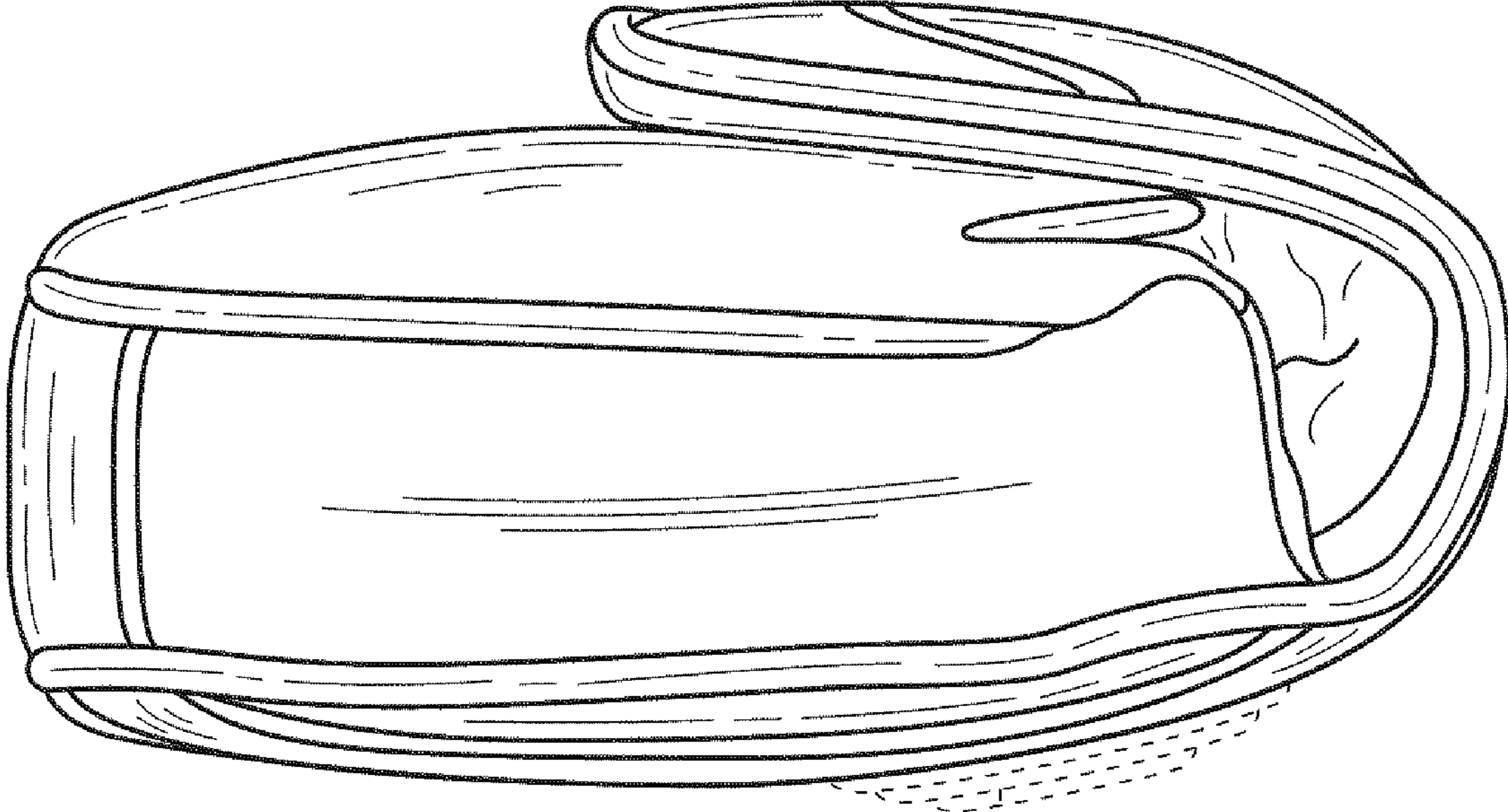


FIG.4

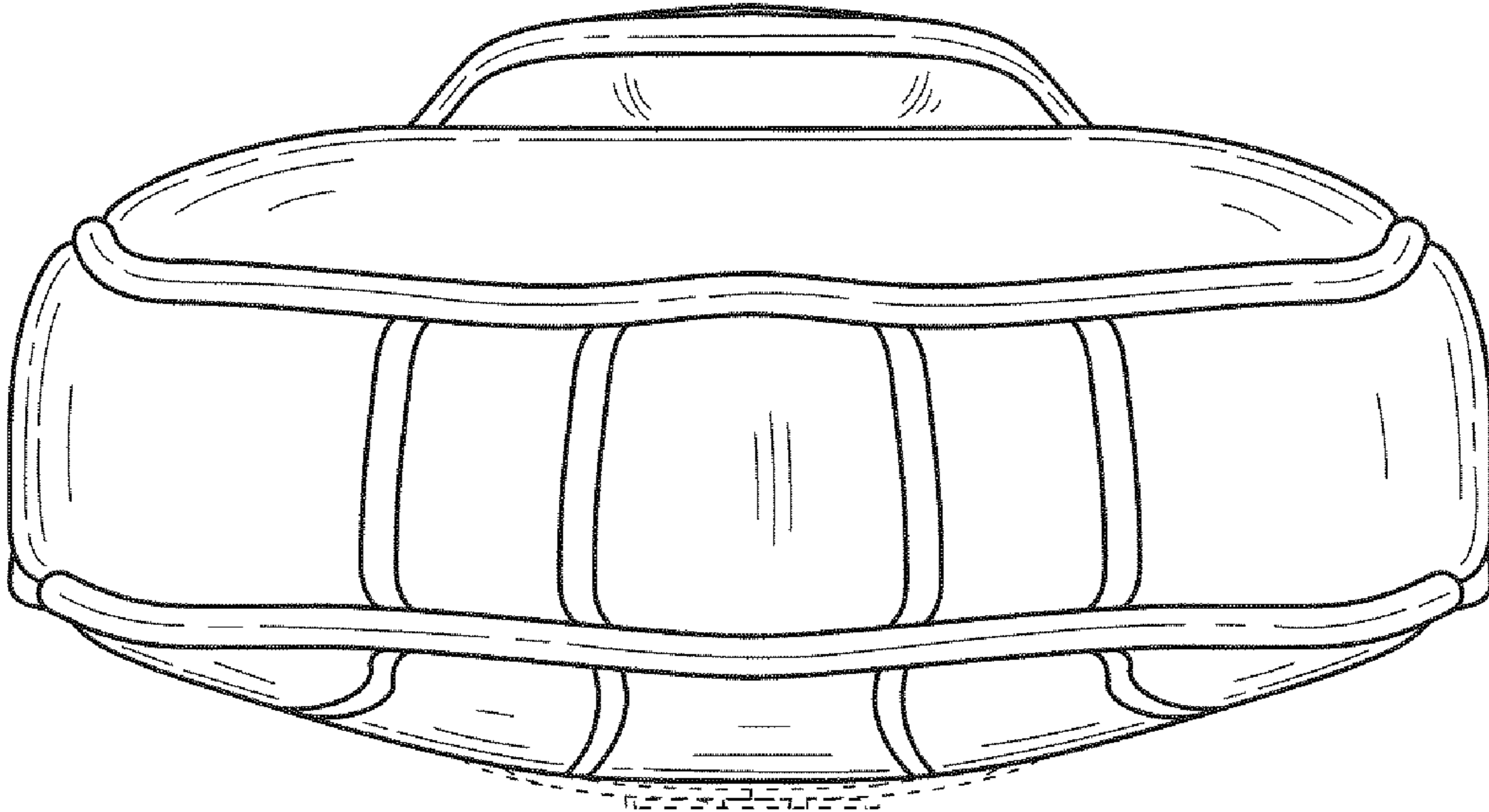


FIG. 5

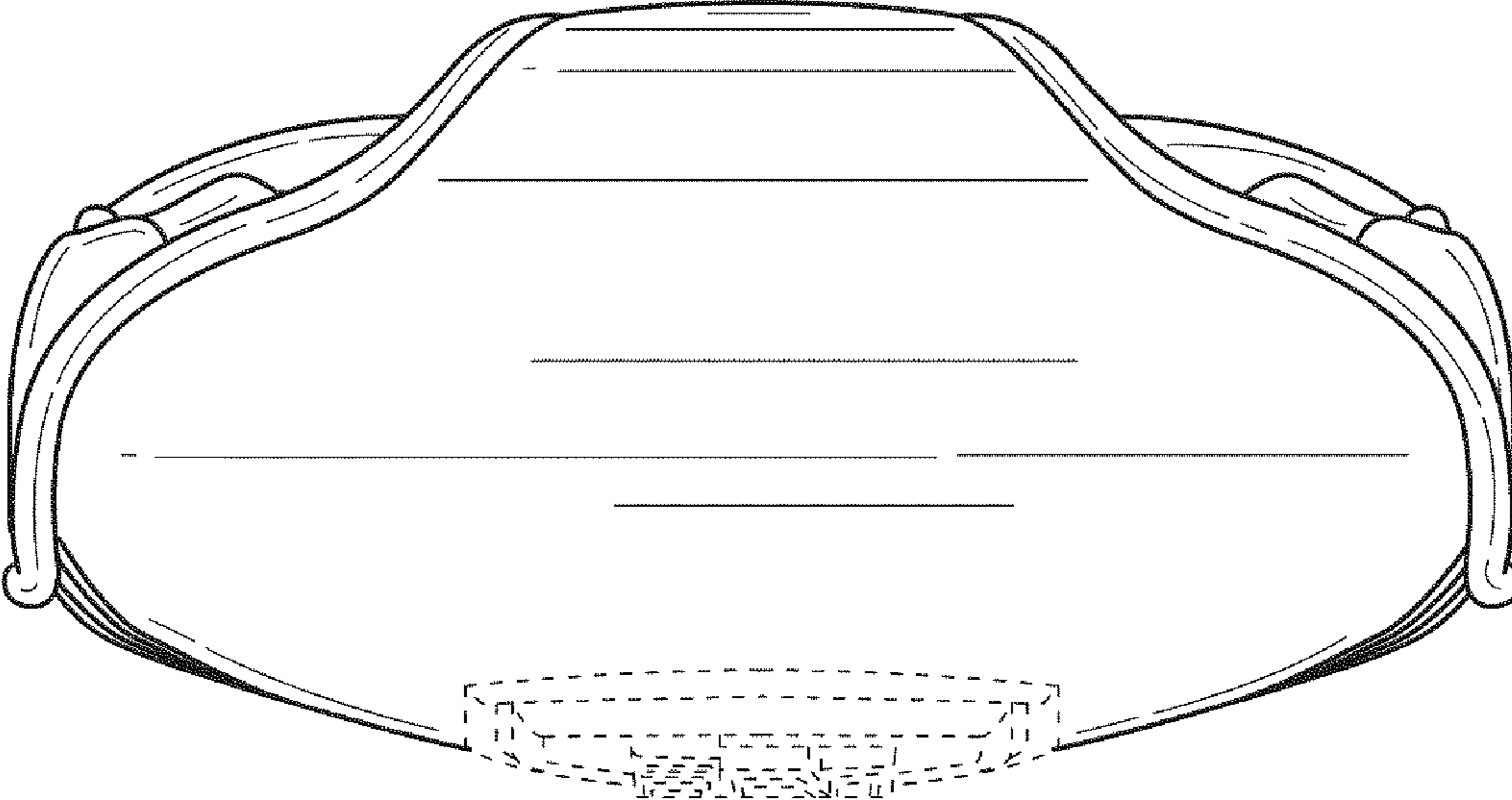


FIG. 6

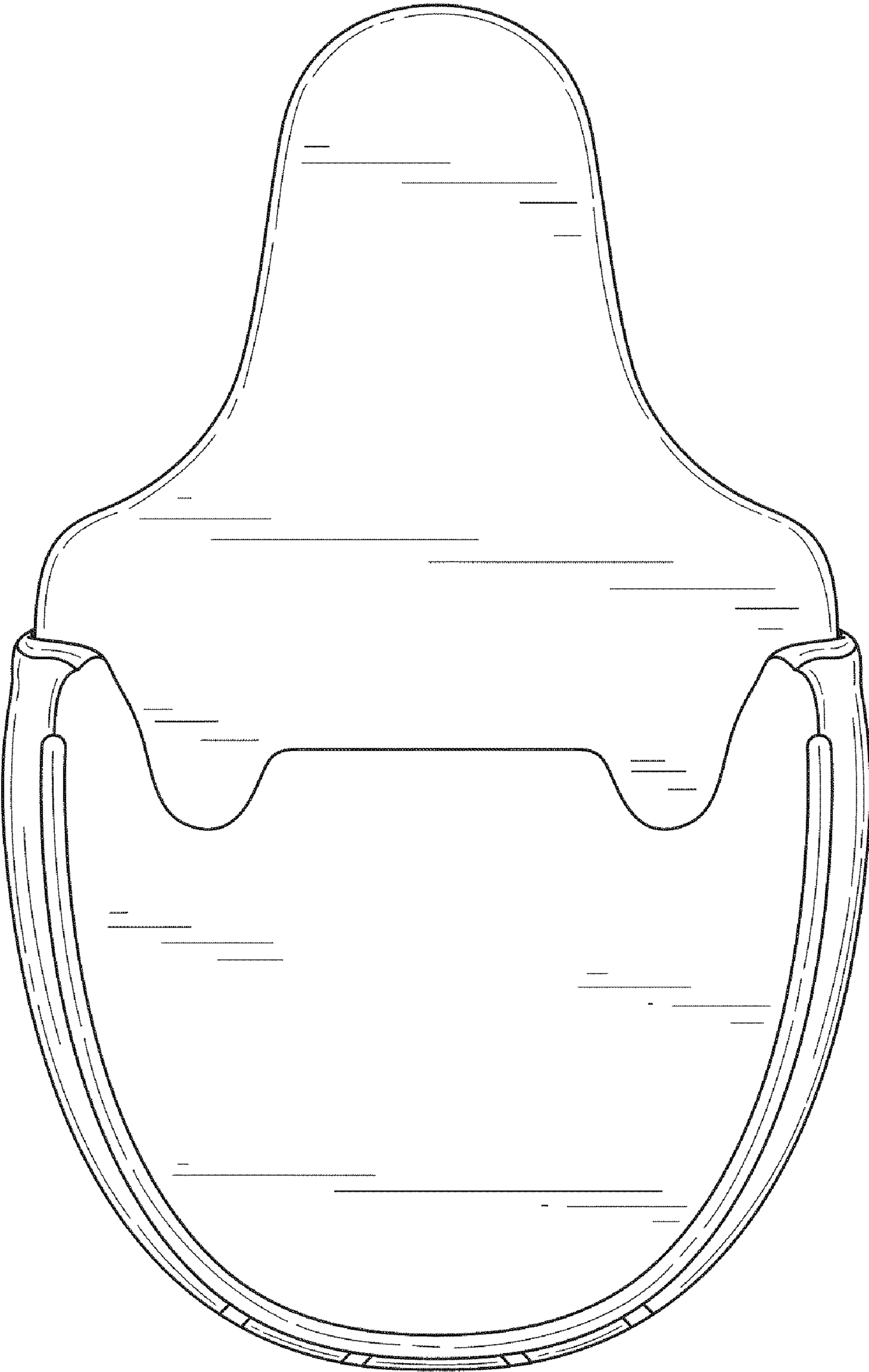


FIG. 7

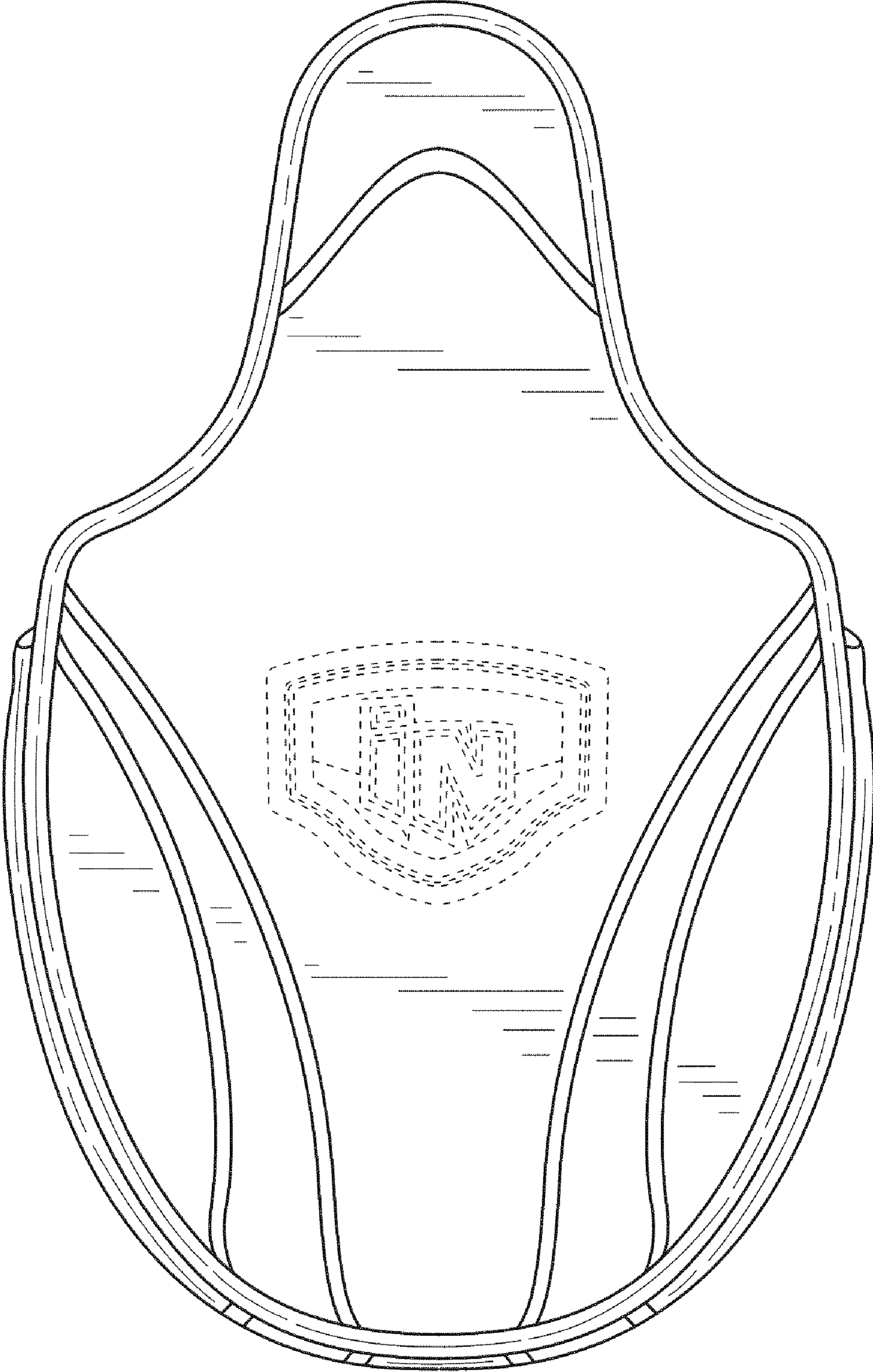


FIG.8