



US00D617401S

(12) **United States Design Patent**
Kulka

(10) **Patent No.:** **US D617,401 S**
(45) **Date of Patent:** **** Jun. 8, 2010**

(54) **EXERCISING APPARATUS**

- (75) Inventor: **Matthew Kulka**, Newtown, PA (US)
- (73) Assignee: **J & M Medical Sales, LLC**, Langhorne, PA (US)
- (**) Term: **14 Years**
- (21) Appl. No.: **29/341,124**
- (22) Filed: **Jul. 30, 2009**

Primary Examiner—Philip S Hyder
Assistant Examiner—Susan E Krakower
 (74) *Attorney, Agent, or Firm*—Panitch Schwarze Belisario & Nadel LLP

(57) **CLAIM**

The ornamental design for an exercising apparatus, as shown and described.

DESCRIPTION

Related U.S. Application Data

- (63) Continuation-in-part of application No. 12/115,276, filed on May 5, 2008.
- (51) **LOC (9) Cl.** **21-02**
- (52) **U.S. Cl.** **D21/692; D21/673**
- (58) **Field of Classification Search** D21/662, D21/684, 679–681, 691–692, 694; 482/44, 482/45, 46, 114, 115, 122–124, 126, 139, 482/140, 146, 148

See application file for complete search history.

(56) **References Cited**

U.S. PATENT DOCUMENTS

D182,660	S	*	4/1958	Hastings	D21/673
3,117,781	A	*	1/1964	Vargo	482/91
3,369,809	A	*	2/1968	Morrill, Jr.	482/91
D263,613	S	*	3/1982	Henry	D21/692
D268,436	S	*	3/1983	Clark	D21/680
4,787,630	A		11/1988	Watson et al.		
5,060,933	A	*	10/1991	Cedro	482/44
5,125,649	A	*	6/1992	Fuller	482/123
D348,707	S	*	7/1994	Cordell	D21/692
5,558,609	A	*	9/1996	Olschansky et al.	482/122
D378,386	S	*	3/1997	Brubaker	D21/680
5,795,277	A		8/1998	Bruntmyer		
D428,942	S	*	8/2000	Lapointe	D21/413
6,234,934	B1	*	5/2001	Gorczyca	482/50
D538,360	S	*	3/2007	Beaupre	D21/684
D572,776	S	*	7/2008	Wells	D21/692

FIG. 1 is a top perspective view of a first preferred embodiment of an exercising apparatus in accordance with my new design;

FIG. 2 is a left side elevational view of the exercising apparatus of FIG. 1, the right side elevational view being identical to the left side elevational view;

FIG. 3 is a bottom perspective view of the exercising apparatus of FIG. 1;

FIG. 4 is a front elevational view of the exercising apparatus of FIG. 1, the rear elevational view being identical to the front elevational view;

FIG. 5 is a top perspective view of a second preferred embodiment of an exercising apparatus in accordance with my new design;

FIG. 6 is a left side elevational view of the exercising apparatus of FIG. 5, the right side elevational view being identical to the left side elevational view;

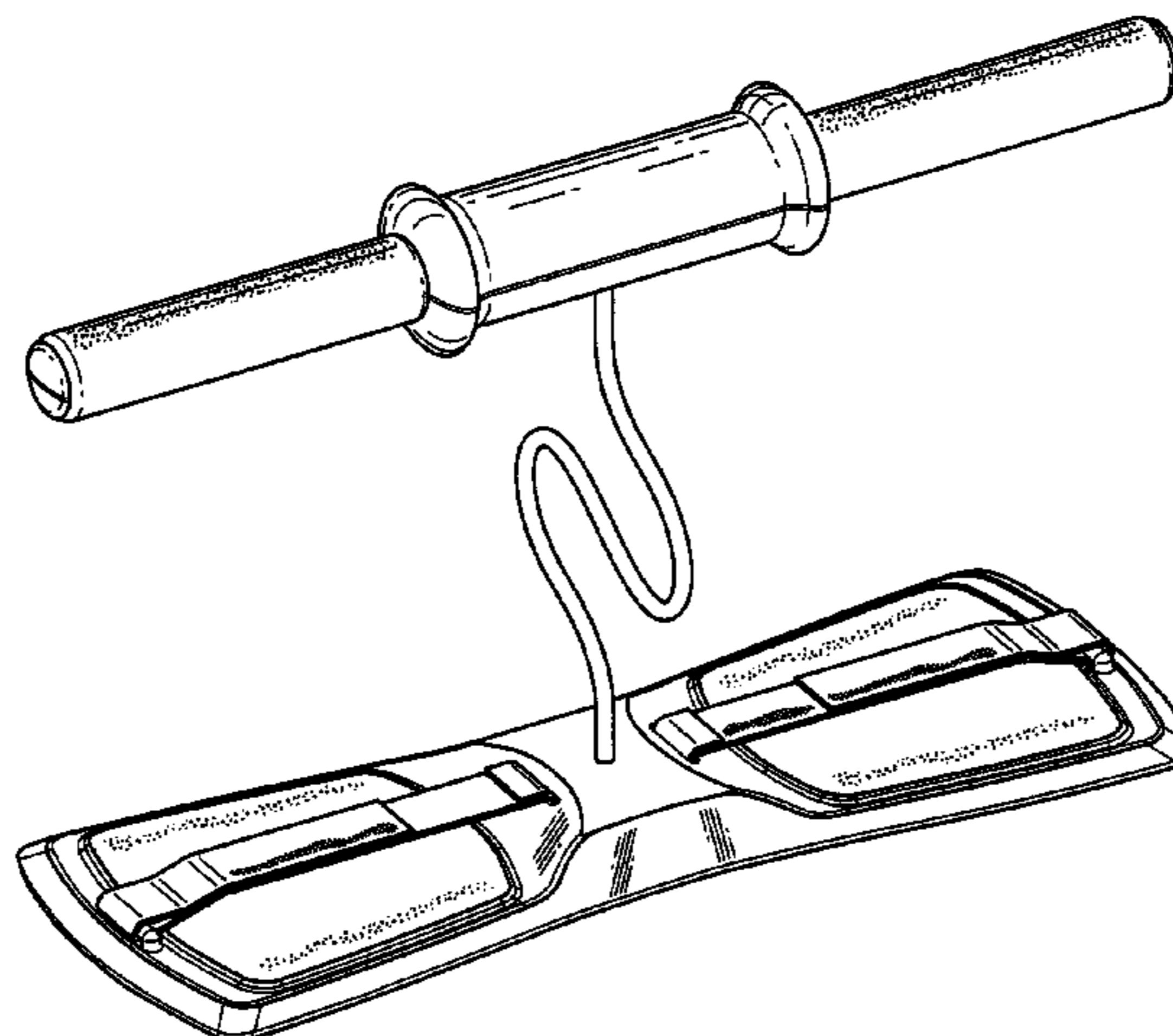
FIG. 7 is a bottom perspective view of the exercising apparatus of FIG. 5; and,

FIG. 8 is a front elevational view of the exercising apparatus of FIG. 5, the rear elevational view being identical to the front elevational view.

The broken lines in FIGS. 5, 6 and 8 illustrate portions of the exercising apparatus which form no part of the claimed design.

(Continued)

1 Claim, 6 Drawing Sheets



US D617,401 S

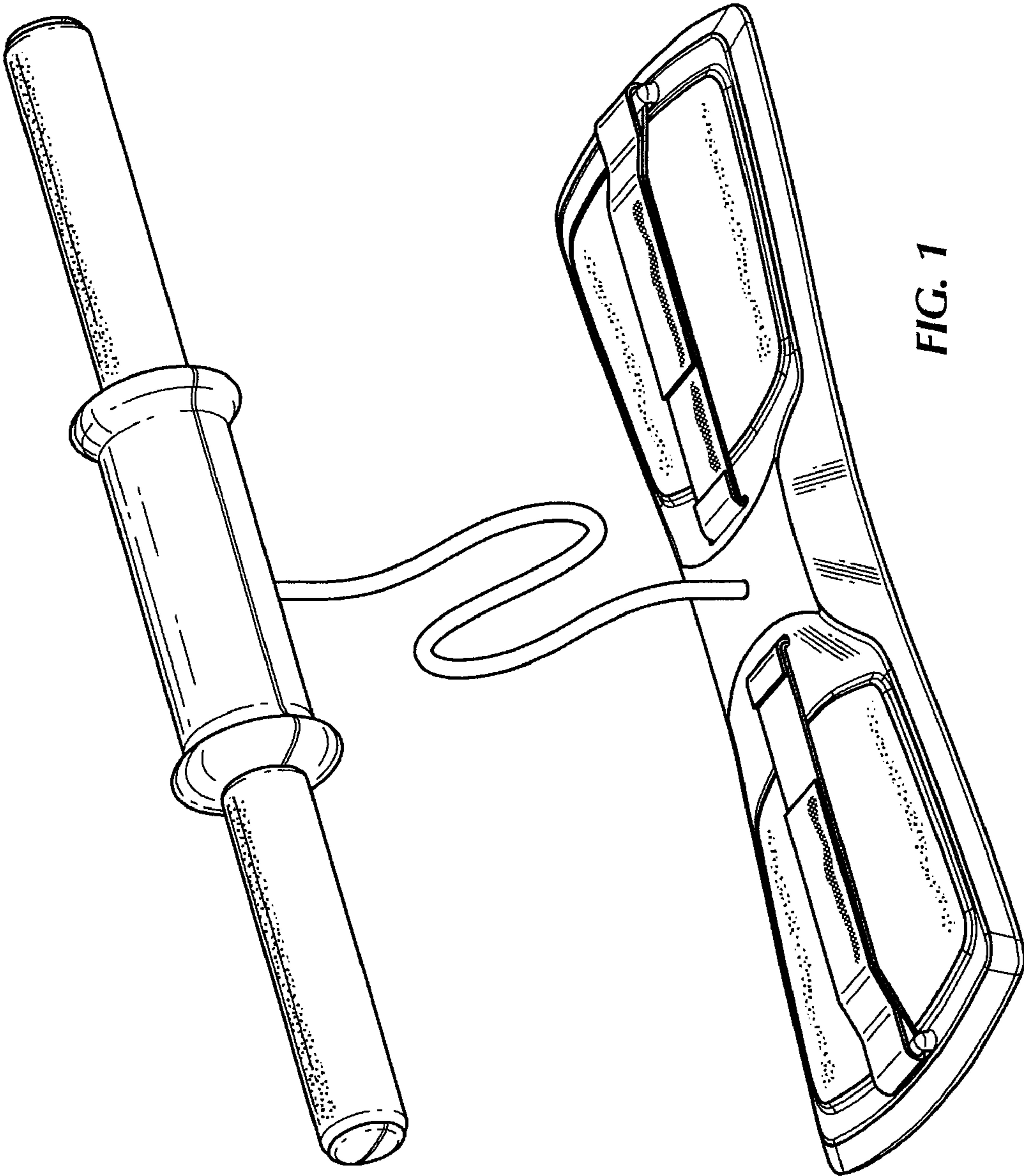
Page 2

U.S. PATENT DOCUMENTS

2007/0087920 A1 4/2007 Dachraoui et al.

D602,539 S * 10/2009 Sims D21/662
2002/0077231 A1 6/2002 Dalebout et al.

* cited by examiner



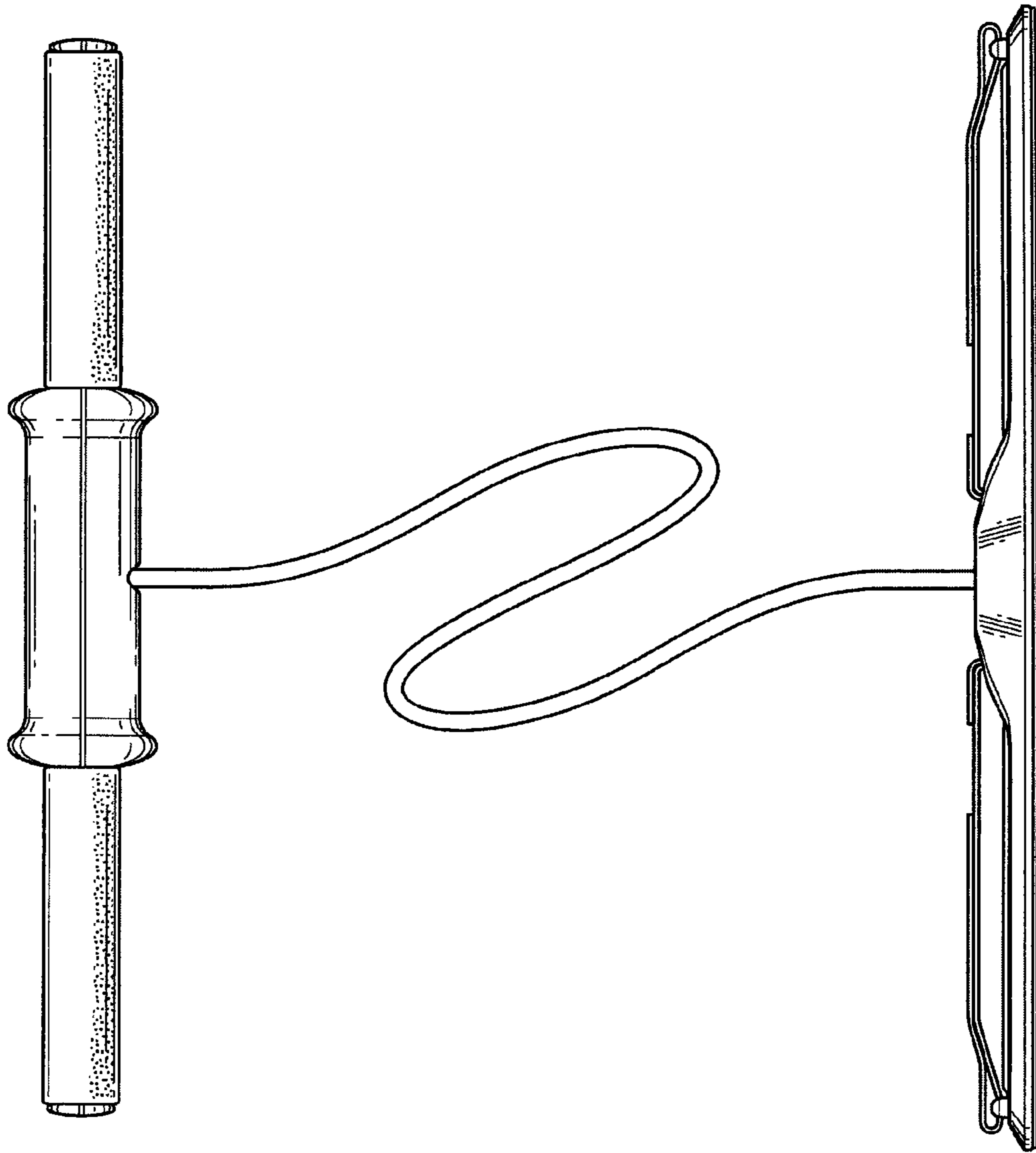


FIG. 4

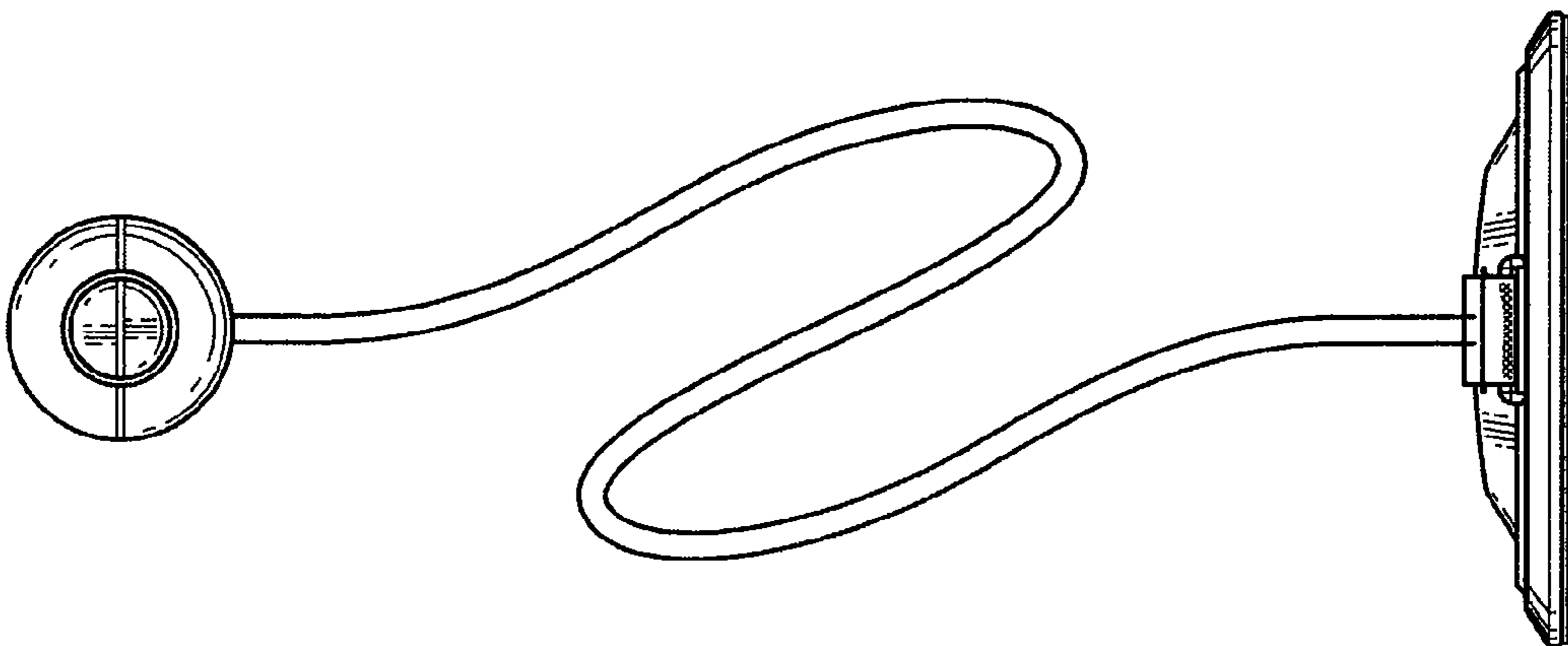


FIG. 2

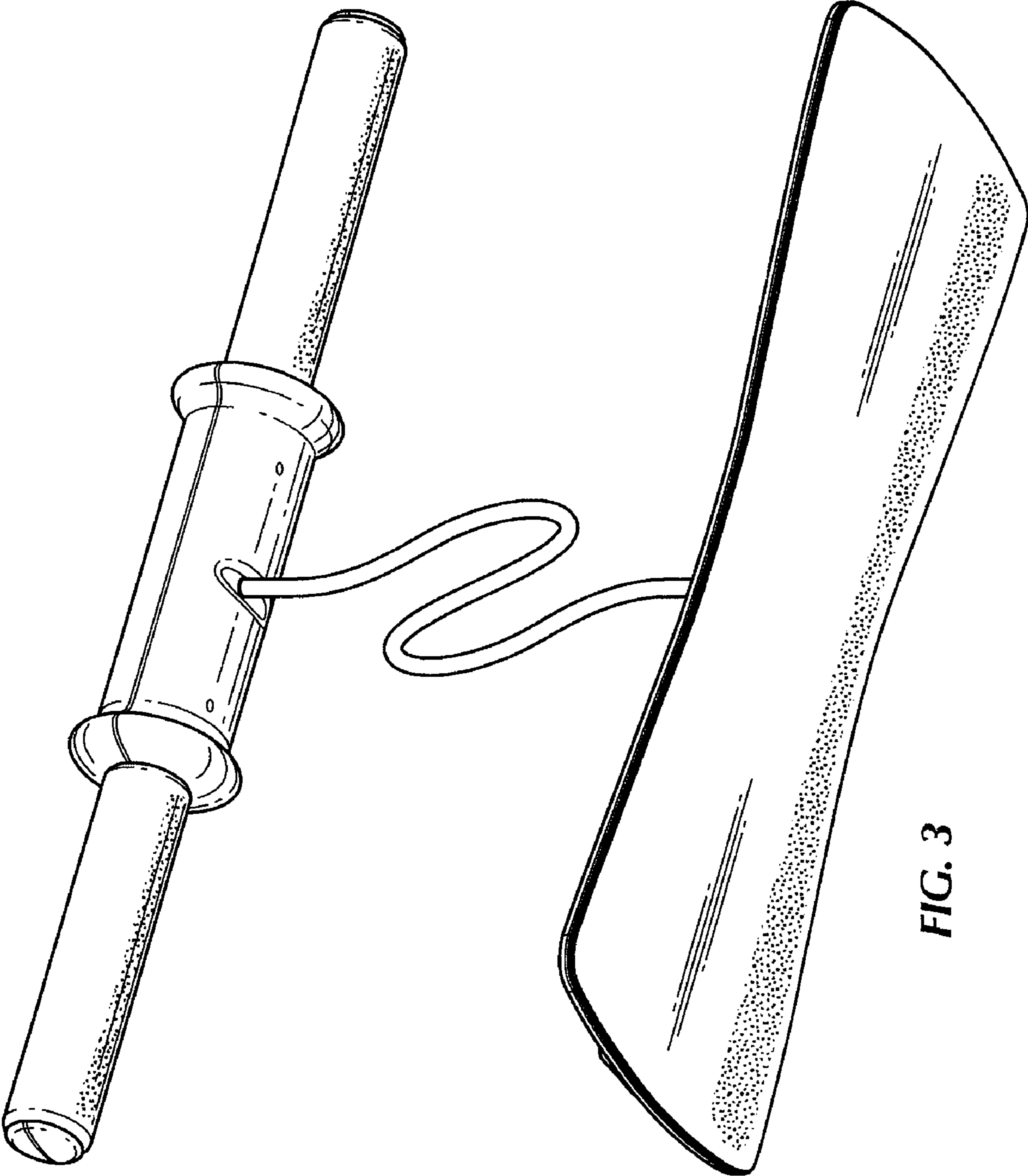


FIG. 3

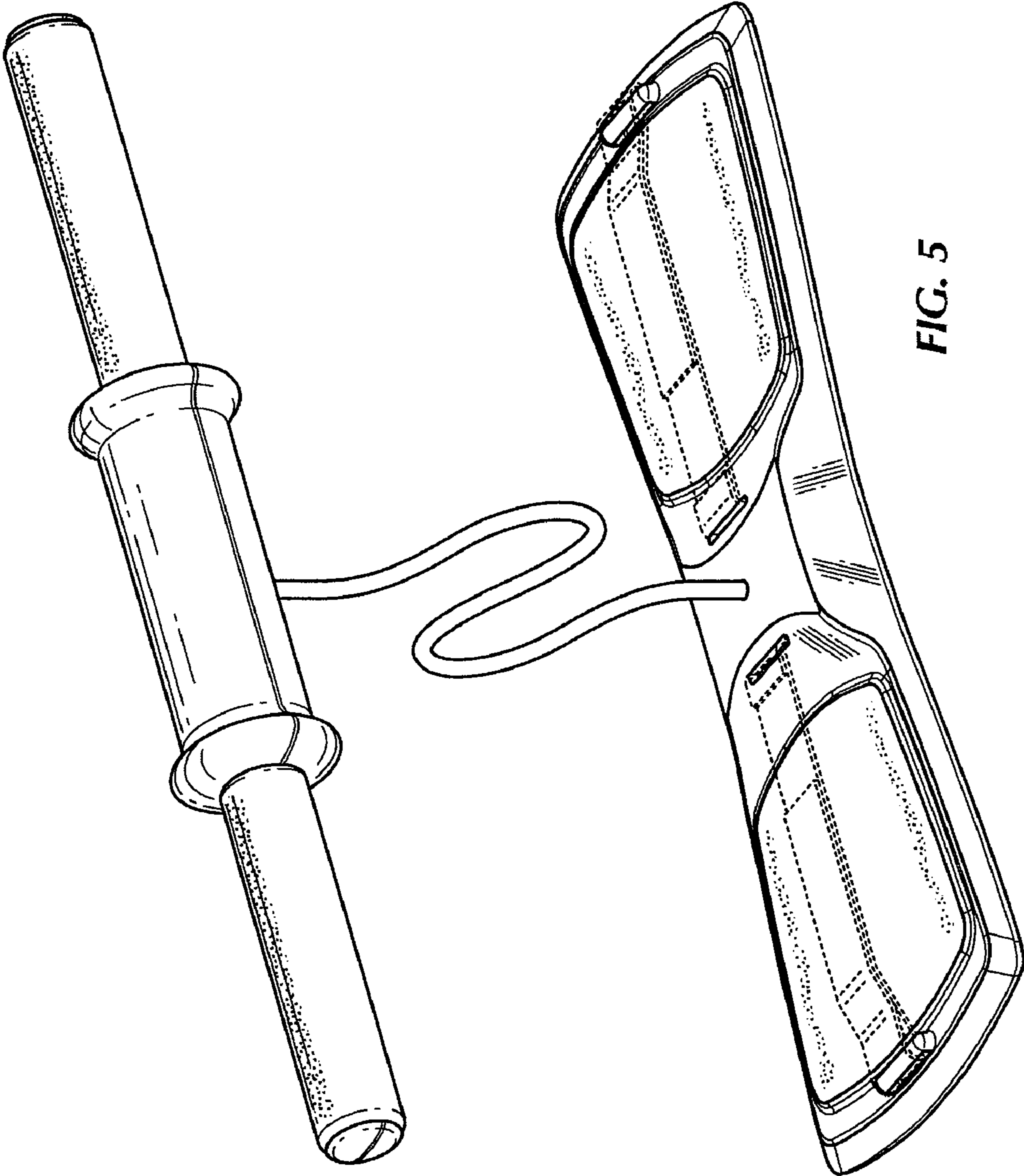


FIG. 5

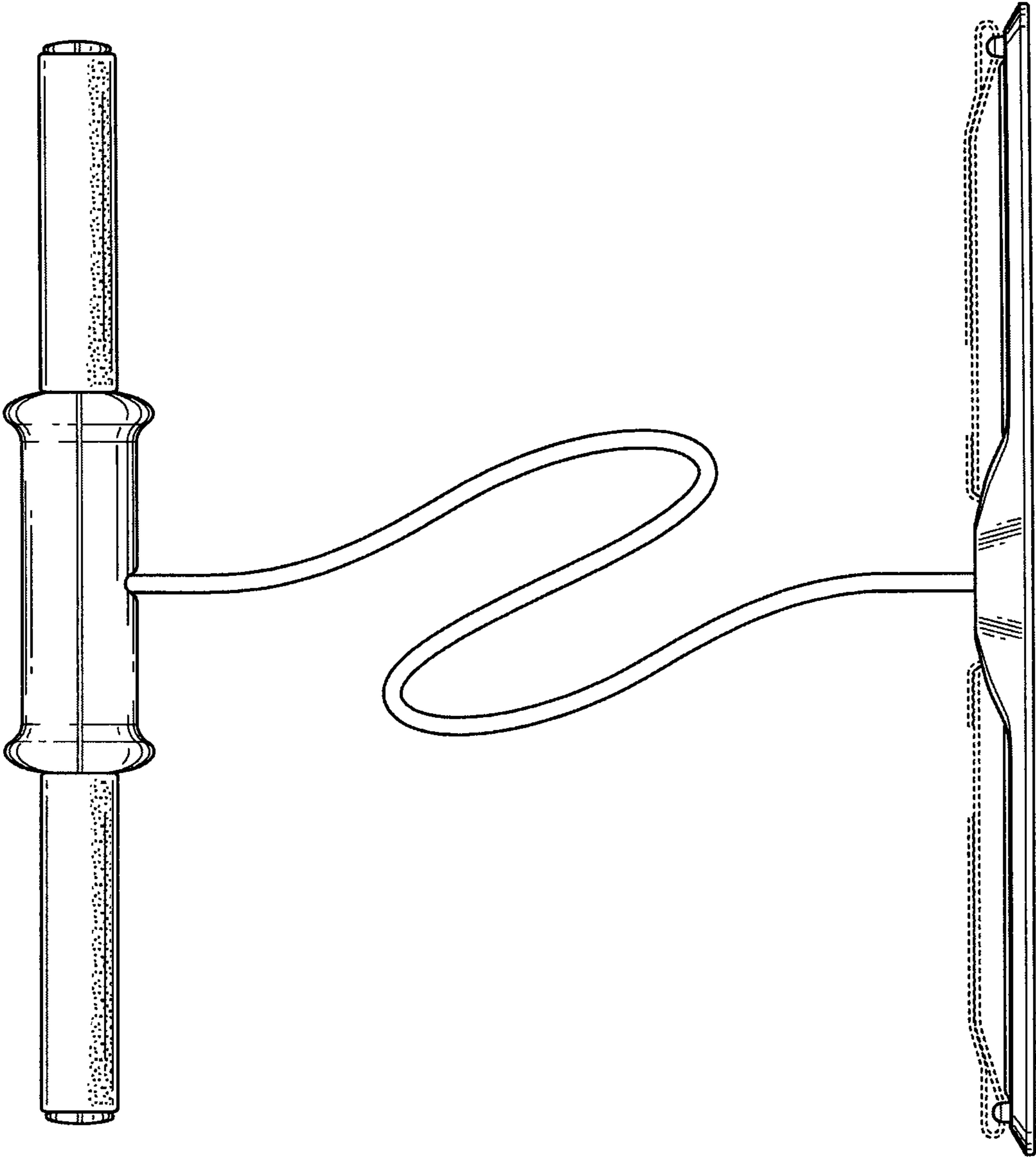


FIG. 6

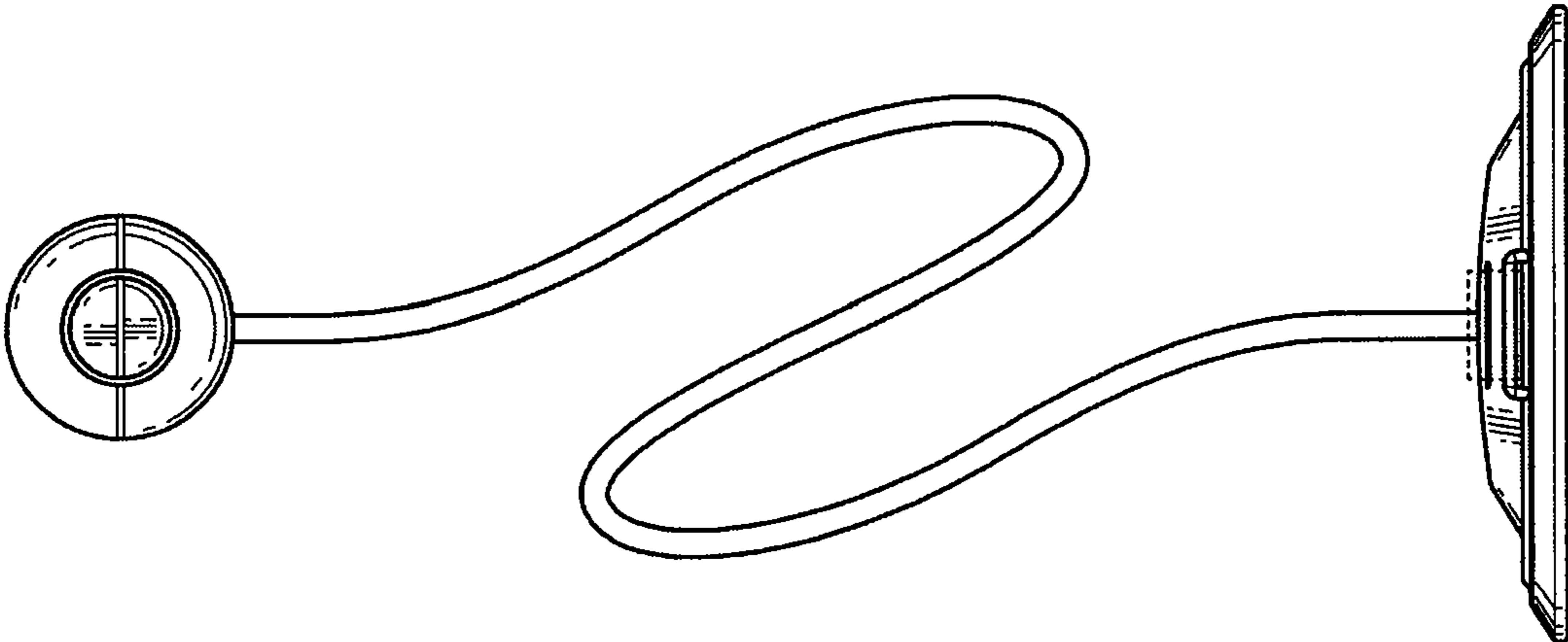


FIG. 8

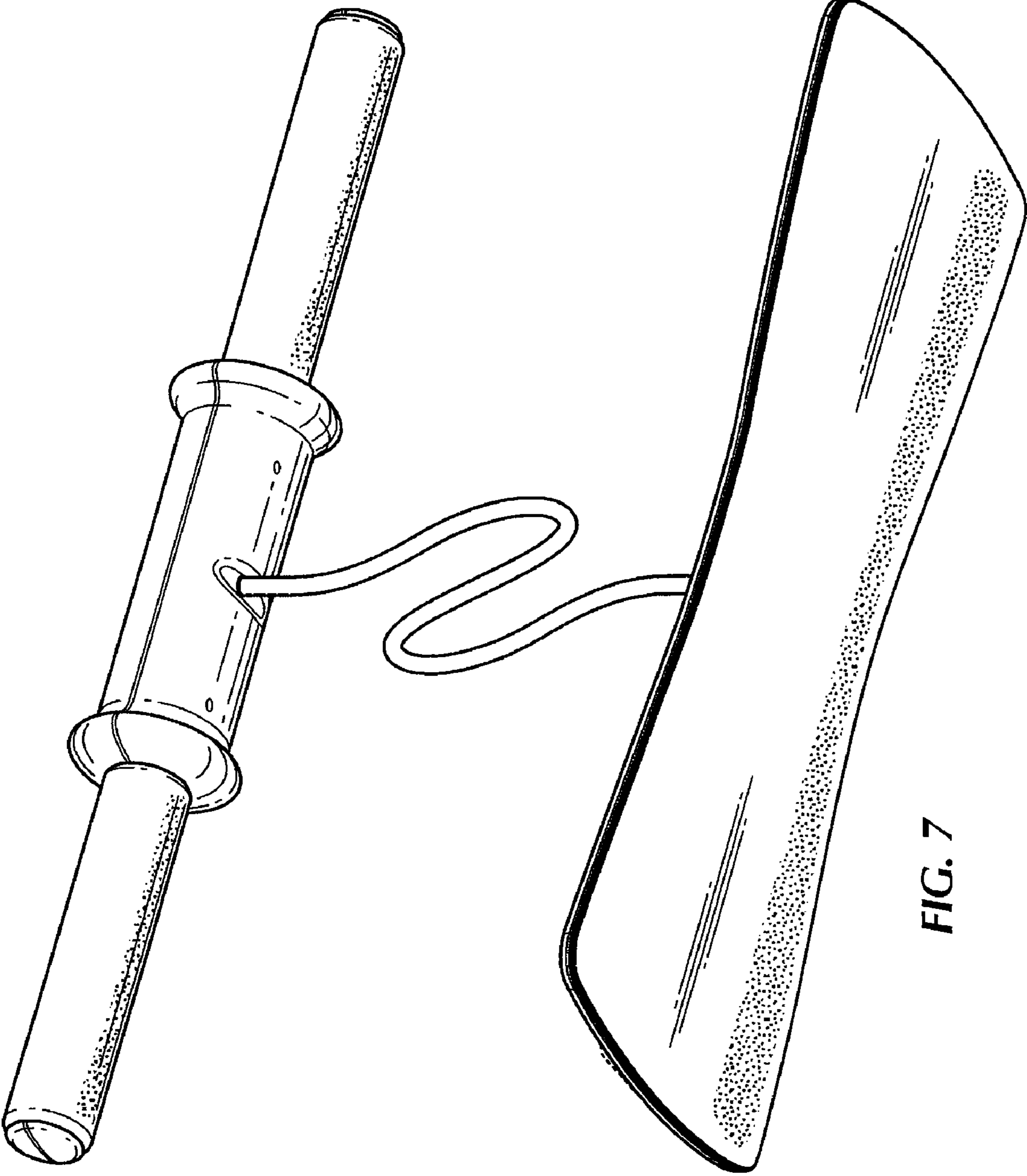


FIG. 7