



US00D617400S

(12) **United States Design Patent**
Hetzel et al.

(10) **Patent No.:** **US D617,400 S**
(45) **Date of Patent:** **** Jun. 8, 2010**

(54) **EXERCISE APPARATUS**

(76) Inventors: **John Hetzel**, 6808 Brandywine Ct.,
Fairview Heights, IL (US) 62208; **Keith
Johnson**, 513 Buena Vista, Altus, OK
(US) 73521

(**) Term: **14 Years**

(21) Appl. No.: **29/341,498**

(22) Filed: **Aug. 6, 2009**

(51) **LOC (9) Cl.** **21-02**

(52) **U.S. Cl.** **D21/691**

(58) **Field of Classification Search** D21/662,
D21/673, 675-676, 686, 690-691, 694; D6/552;
211/41.1; 482/93-95, 98-101, 104, 140,
482/142-145

See application file for complete search history.

(56) **References Cited**

U.S. PATENT DOCUMENTS

1,495,536	A *	5/1924	Smith	482/38
2,932,510	A *	4/1960	Kravitz	482/38
3,118,668	A *	1/1964	Callahan	482/104
4,360,198	A *	11/1982	Waulters	482/106
D280,841	S *	10/1985	Dzitzer	D21/690
D290,033	S *	5/1987	Policastro	D21/691
4,955,604	A *	9/1990	Pogue	482/99
D320,823	S *	10/1991	Tanner	D21/686
5,536,222	A *	7/1996	Banda et al.	482/38
D381,715	S *	7/1997	Reeder	D21/691
D487,124	S *	2/2004	Toniolo	D21/691
6,896,644	B1 *	5/2005	Voigt	482/104

6,926,649	B2 *	8/2005	Slawinski	482/104
D512,471	S *	12/2005	Panatta	D21/673
7,591,771	B2 *	9/2009	Rullestad et al.	482/104
2005/0009671	A1 *	1/2005	Hummer	482/94
2006/0135324	A1 *	6/2006	Rullestad et al.	482/93

* cited by examiner

Primary Examiner—Philip S Hyder

Assistant Examiner—Susan E Krakower

(74) *Attorney, Agent, or Firm*—Crowe & Dunlevy

(57) **CLAIM**

The ornamental design for an exercise apparatus, as shown and described.

DESCRIPTION

FIG. 1 is a front perspective view of the exercise apparatus of the present invention;

FIG. 2 is a front view in elevation of the exercise apparatus of FIG. 1;

FIG. 3 is a rear view in elevation of the exercise apparatus of FIG. 1;

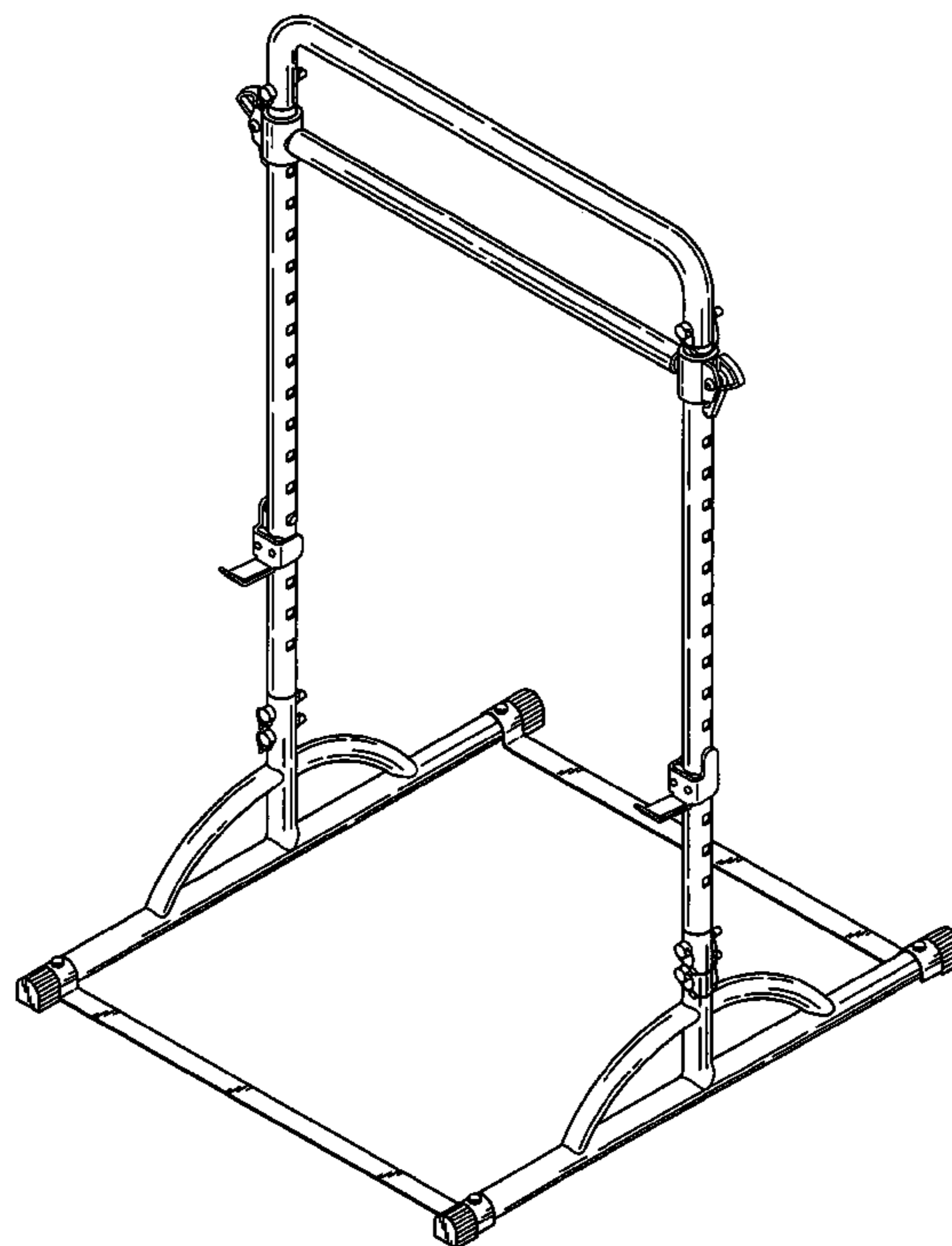
FIG. 4 is a side view in elevation of the exercise apparatus of FIG. 1 as seen from the right-hand side of FIG. 1;

FIG. 5 is a side view in elevation of the exercise apparatus of FIG. 1 as seen from the left-hand side of FIG. 1;

FIG. 6 is a top plan view of the exercise apparatus of FIG. 1; and,

FIG. 7 is a bottom plan view of the exercise apparatus of FIG. 1.

1 Claim, 4 Drawing Sheets



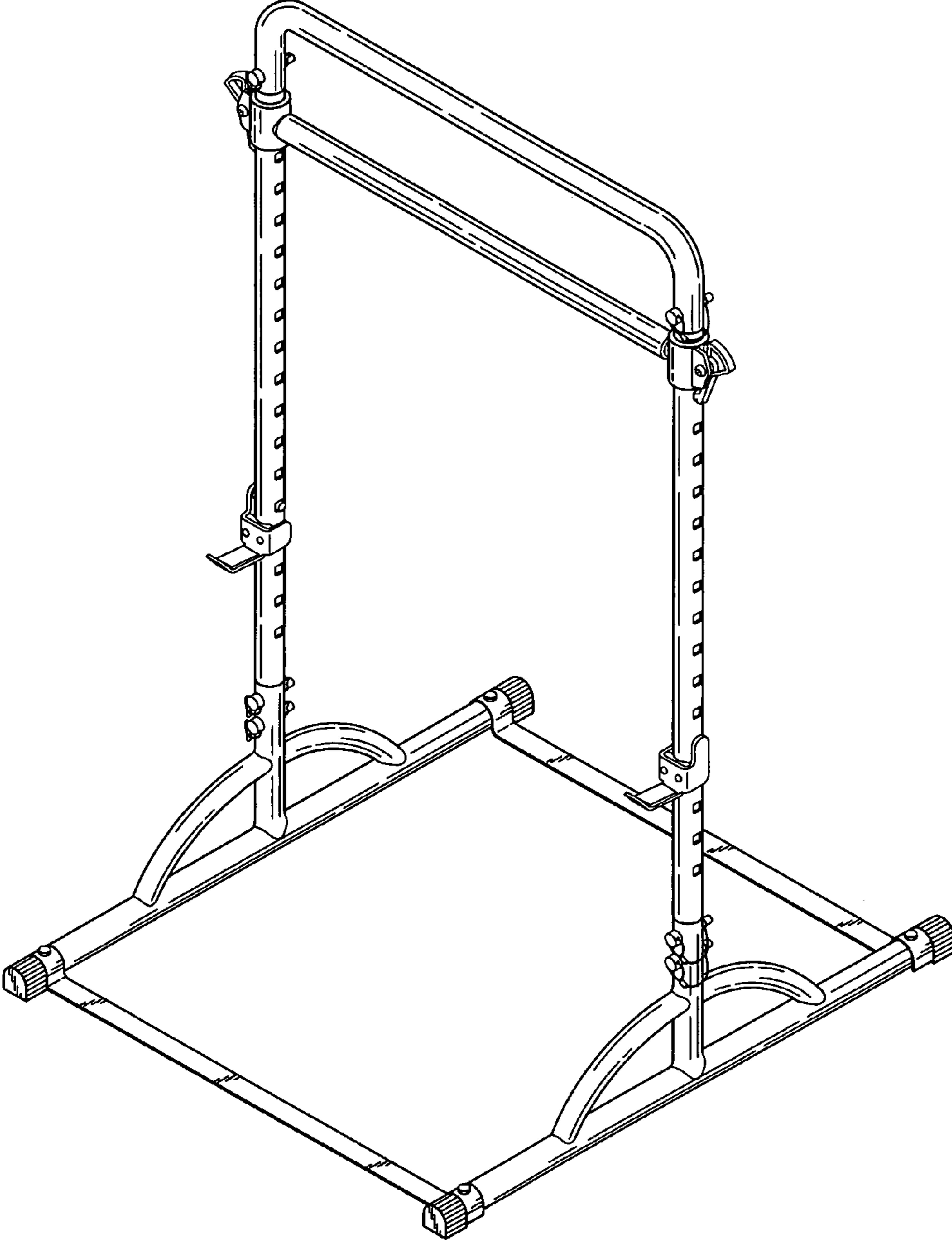
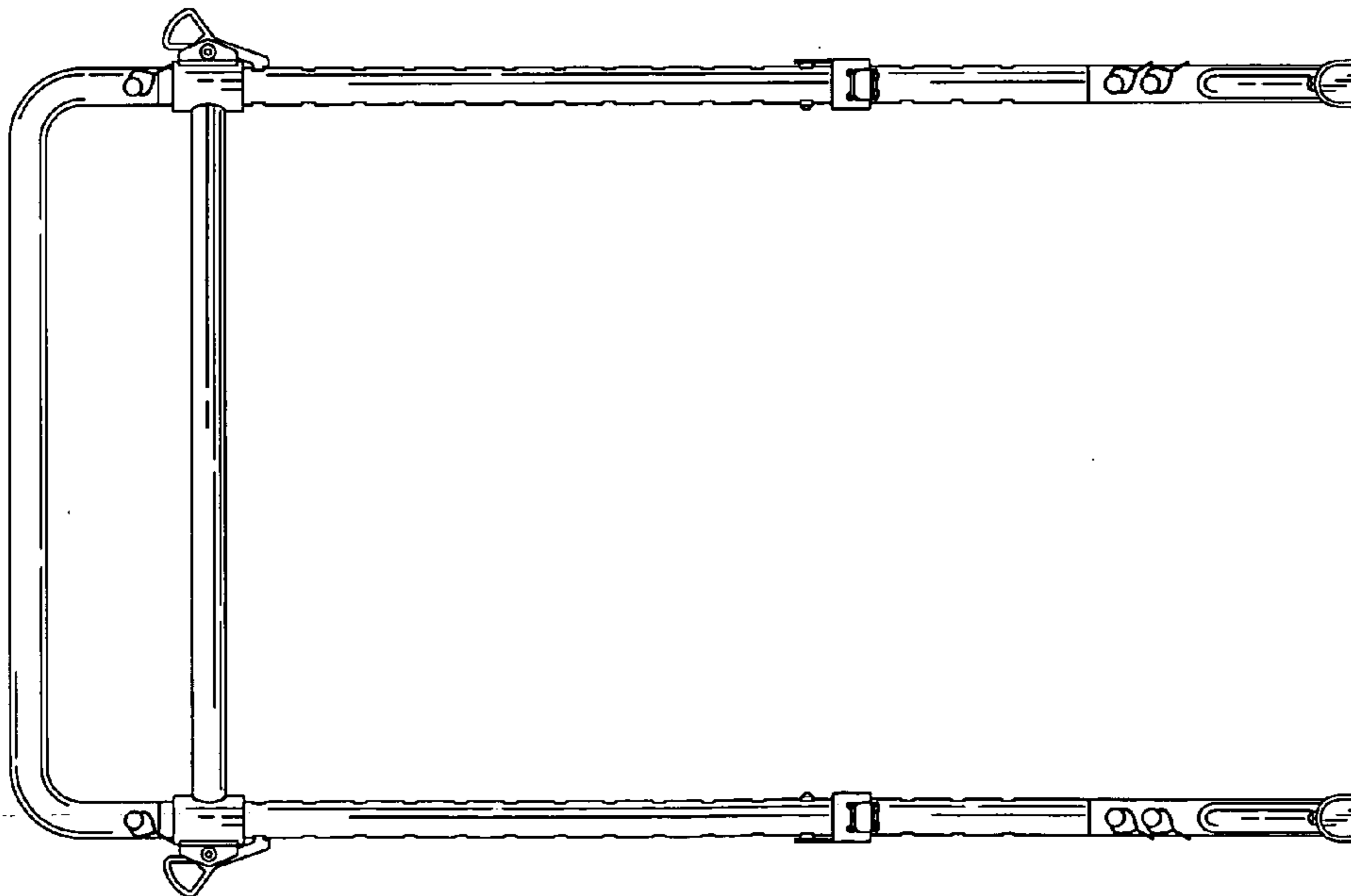
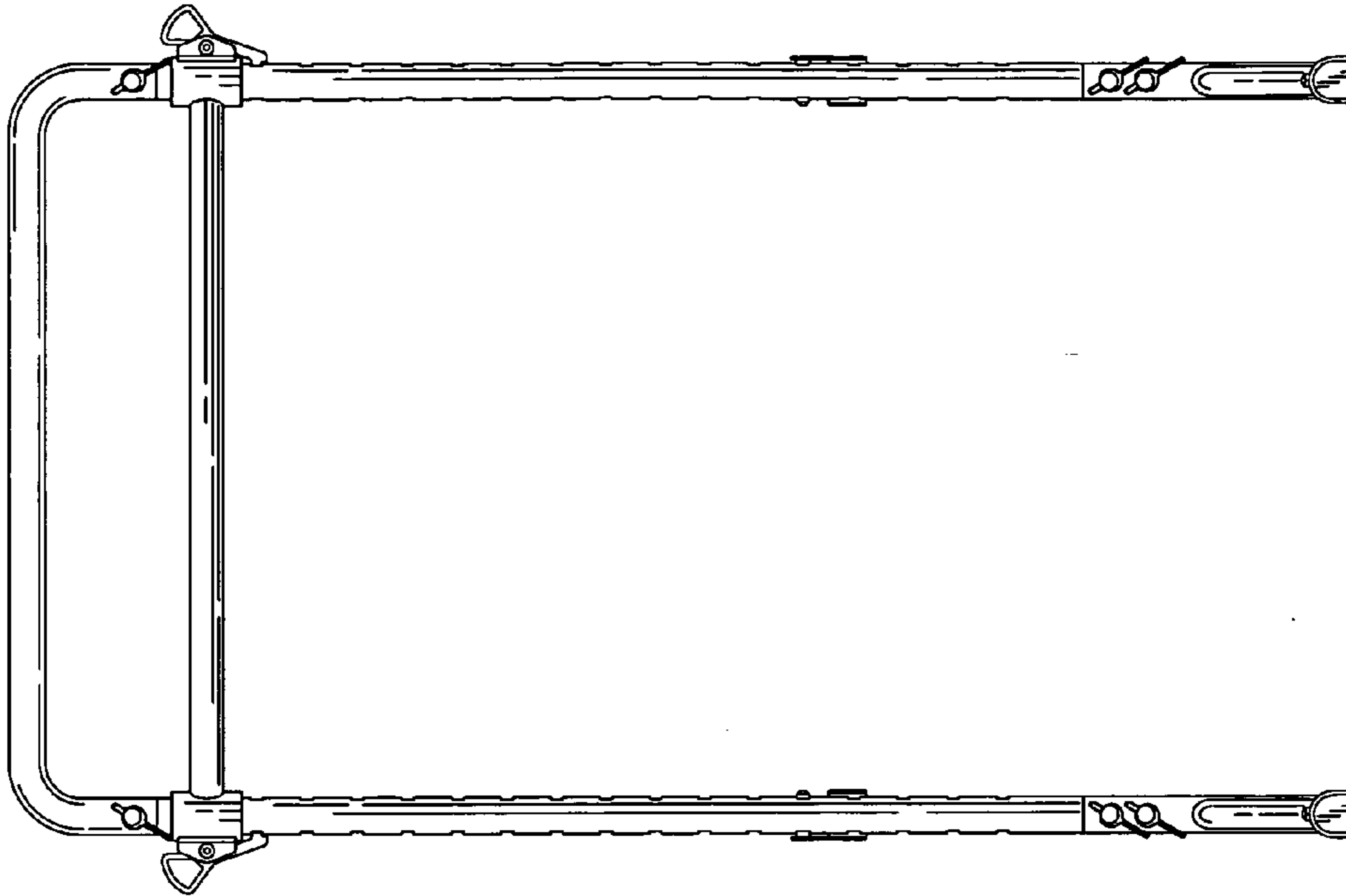
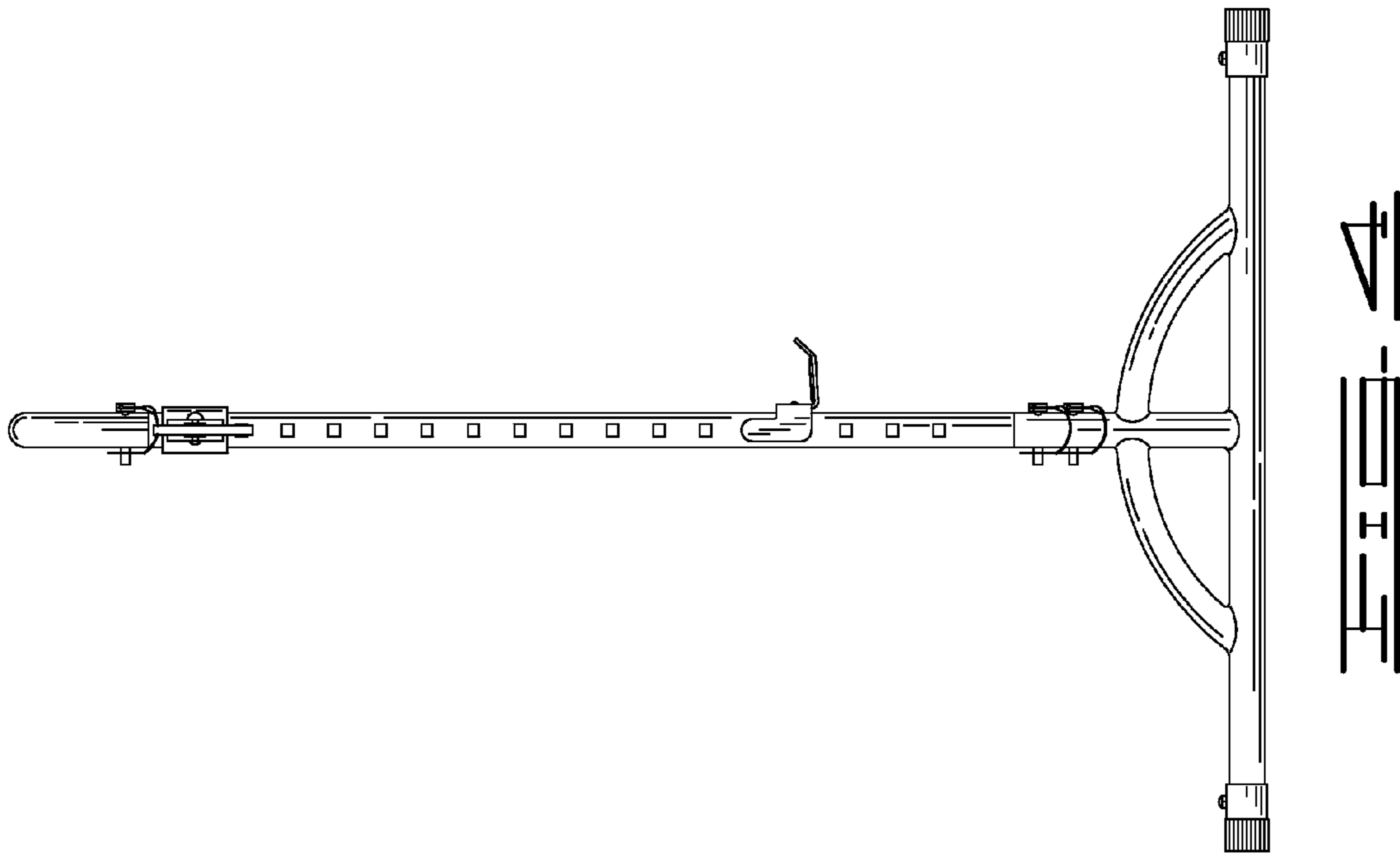
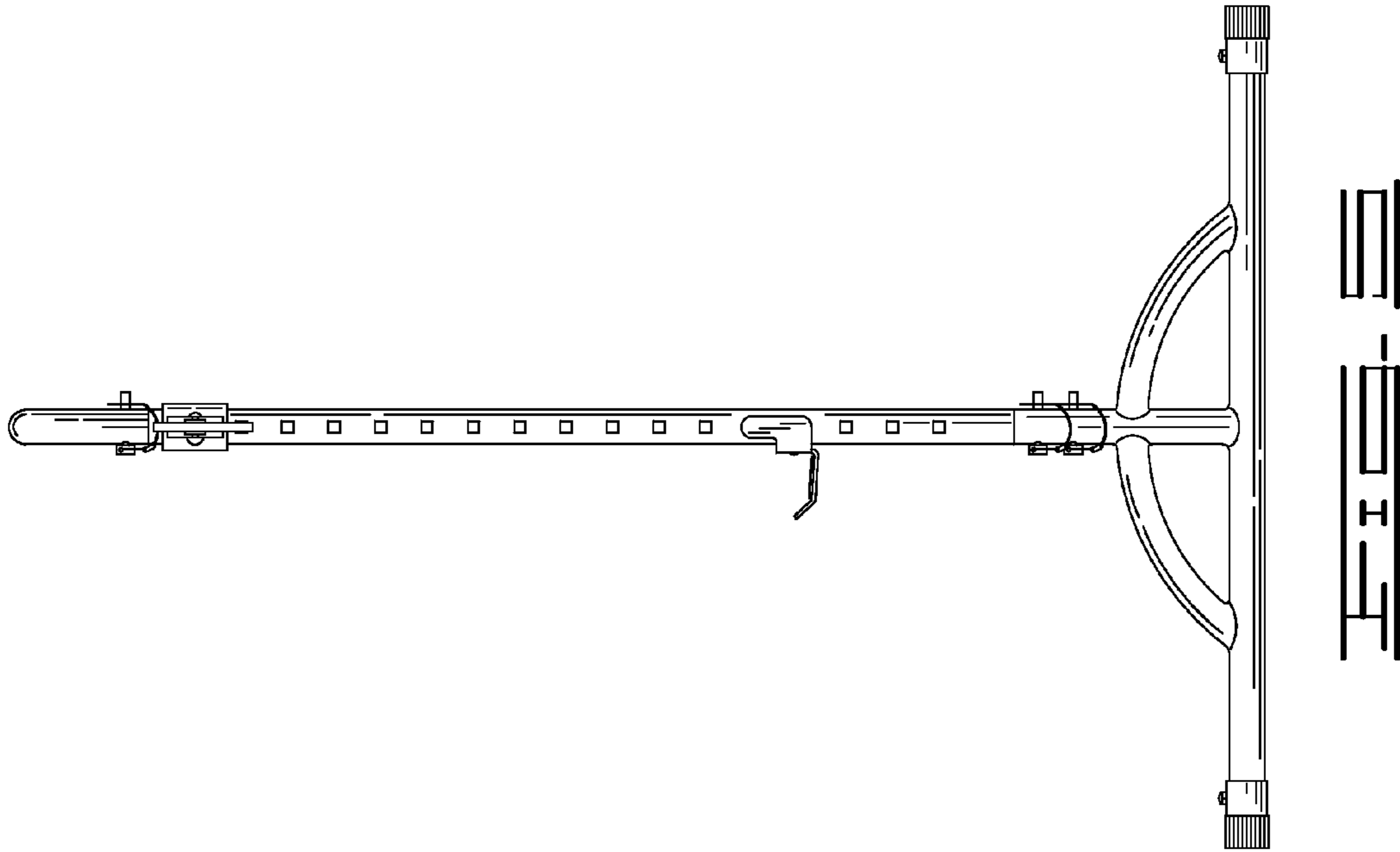


FIG. 1





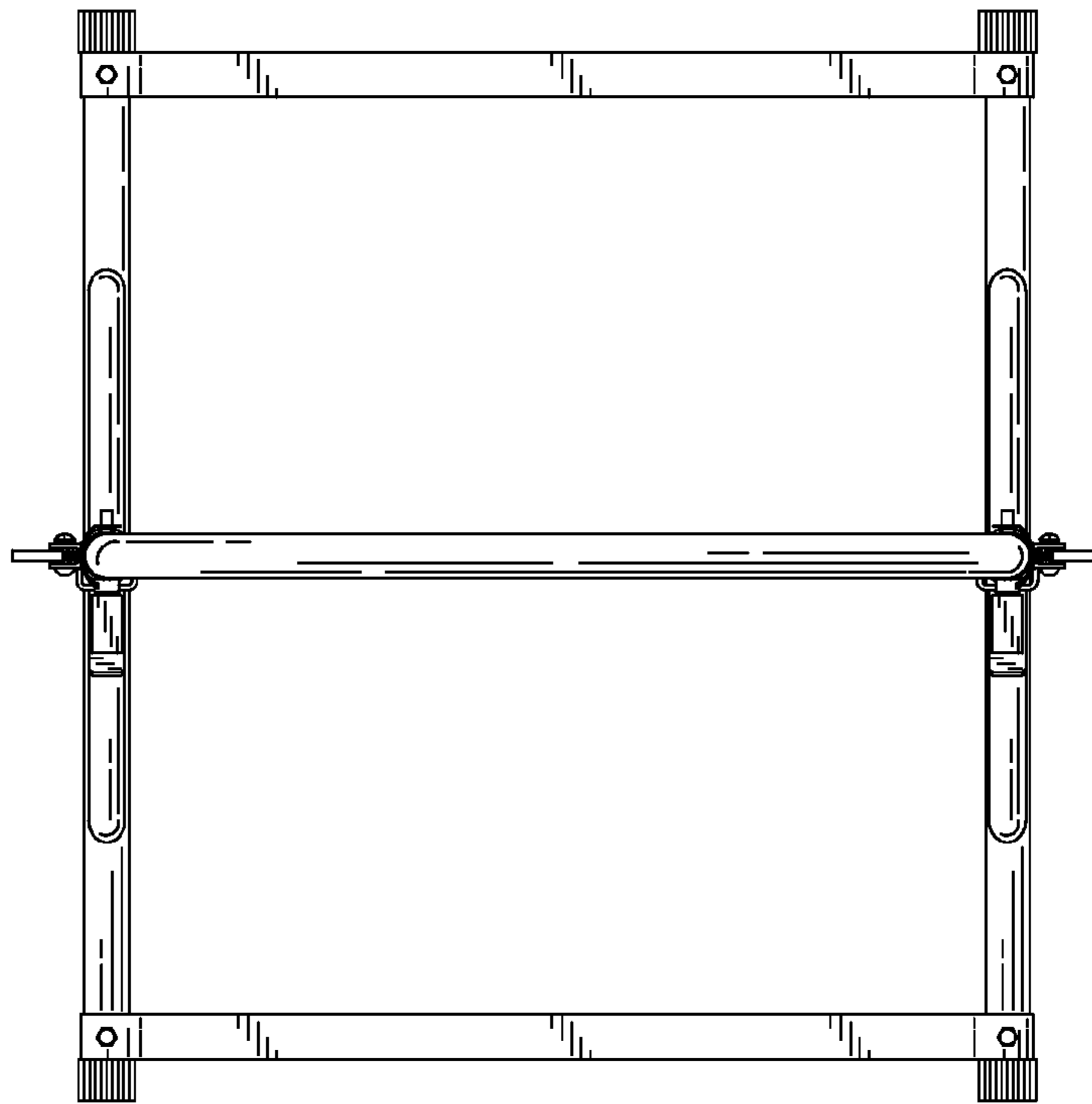


FIG. 6

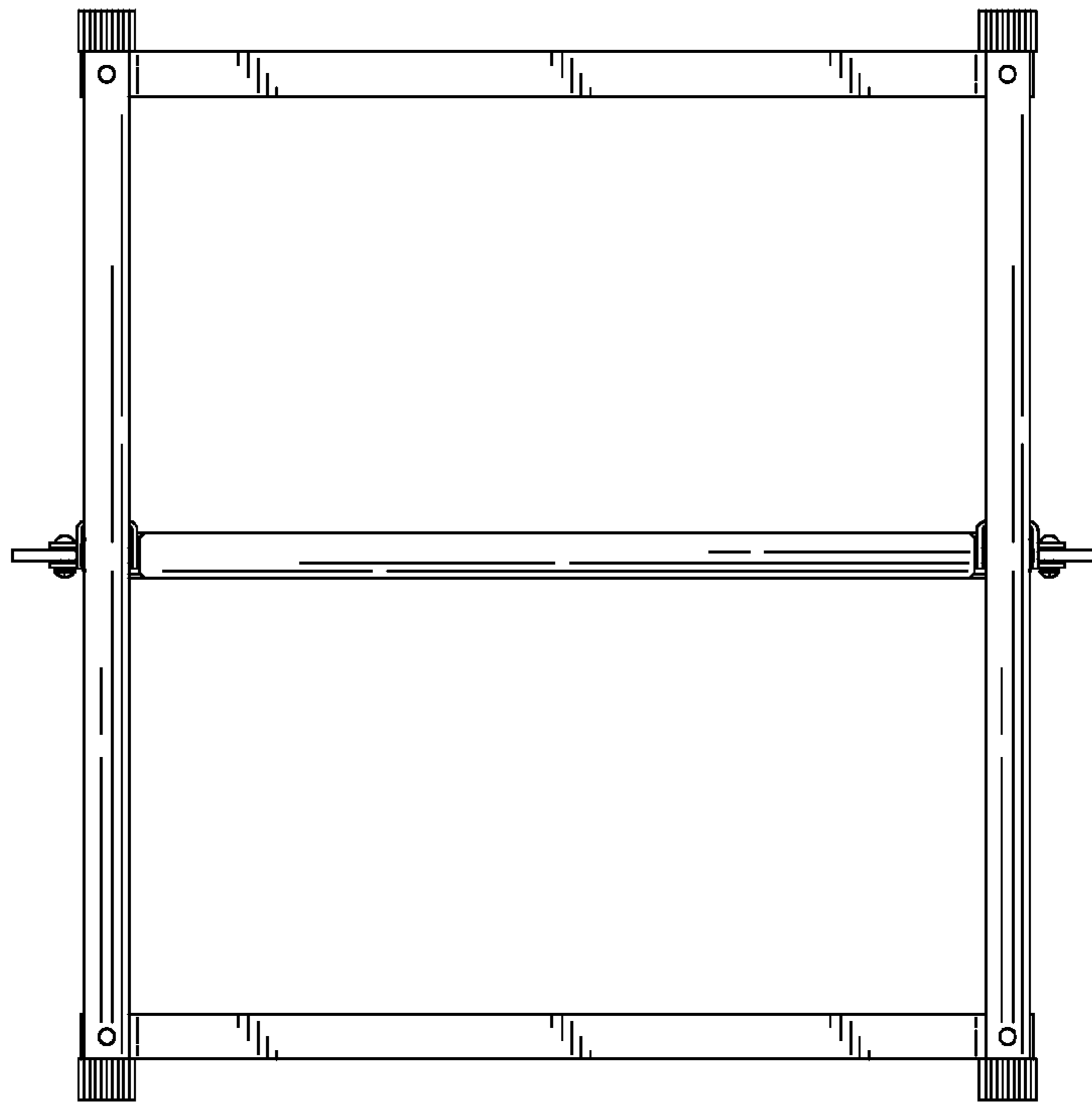


FIG. 7