



US00D617398S

(12) **United States Design Patent**
Selevan

(10) **Patent No.:** **US D617,398 S**

(45) **Date of Patent:** **** Jun. 8, 2010**

(54) **TOY WATER GUN**

(75) Inventor: **Russell Selevan**, Jacksonville, FL (US)

(73) Assignee: **Ja-Ru, Inc.**, Jacksonville, FL (US)

(**) Term: **14 Years**

(21) Appl. No.: **29/315,786**

(22) Filed: **Jul. 22, 2009**

(51) **LOC (9) Cl.** **21-01**

(52) **U.S. Cl.** **D21/572**

(58) **Field of Classification Search** D21/401,
D21/567, 575; D22/100, 103, 104, 105;
D23/231; 446/175, 176, 180, 473; 222/78,
222/79; 239/211, 222.11, 237, 329, 373,
239/525, 526; 124/63-65, 69, 73-75

See application file for complete search history.

(56) **References Cited**

U.S. PATENT DOCUMENTS

D159,552 S *	8/1950	Shelton	D21/574
D168,909 S *	2/1953	Rastetter	D21/574
D174,731 S *	5/1955	Barricks	D21/574
D175,643 S *	9/1955	Relf	D21/574
D192,474 S *	3/1962	Benkoe	D21/574
D213,984 S *	4/1969	Buseck	D21/574
D372,506 S *	8/1996	Kino	D21/572
D393,022 S *	3/1998	Nagel	D21/572
D403,367 S *	12/1998	Lebensfeld et al.	D21/574

D439,286 S *	3/2001	Hornsby et al.	D21/572
D477,642 S *	7/2003	Byrd	D21/574
D487,293 S *	3/2004	Zuloff	D21/574
D489,098 S *	4/2004	Byrd	D21/574
D527,057 S *	8/2006	Poon	D21/572
D566,203 S *	4/2008	Selevan	D21/572
7,458,485 B2 *	12/2008	Amron	239/222.11
D588,212 S *	3/2009	Stadlbauer	D21/572

* cited by examiner

Primary Examiner—Holly H Baynham

Assistant Examiner—Cynthia M Chin

(74) *Attorney, Agent, or Firm*—Lewis Anten

(57) **CLAIM**

The ornamental design for a toy water gun, as shown and described.

DESCRIPTION

FIG. 1 is a right side view of the toy water gun showing my new design. The left side view is a mirror image of the right side view.

FIG. 2 is a bottom perspective view of the toy water gun.

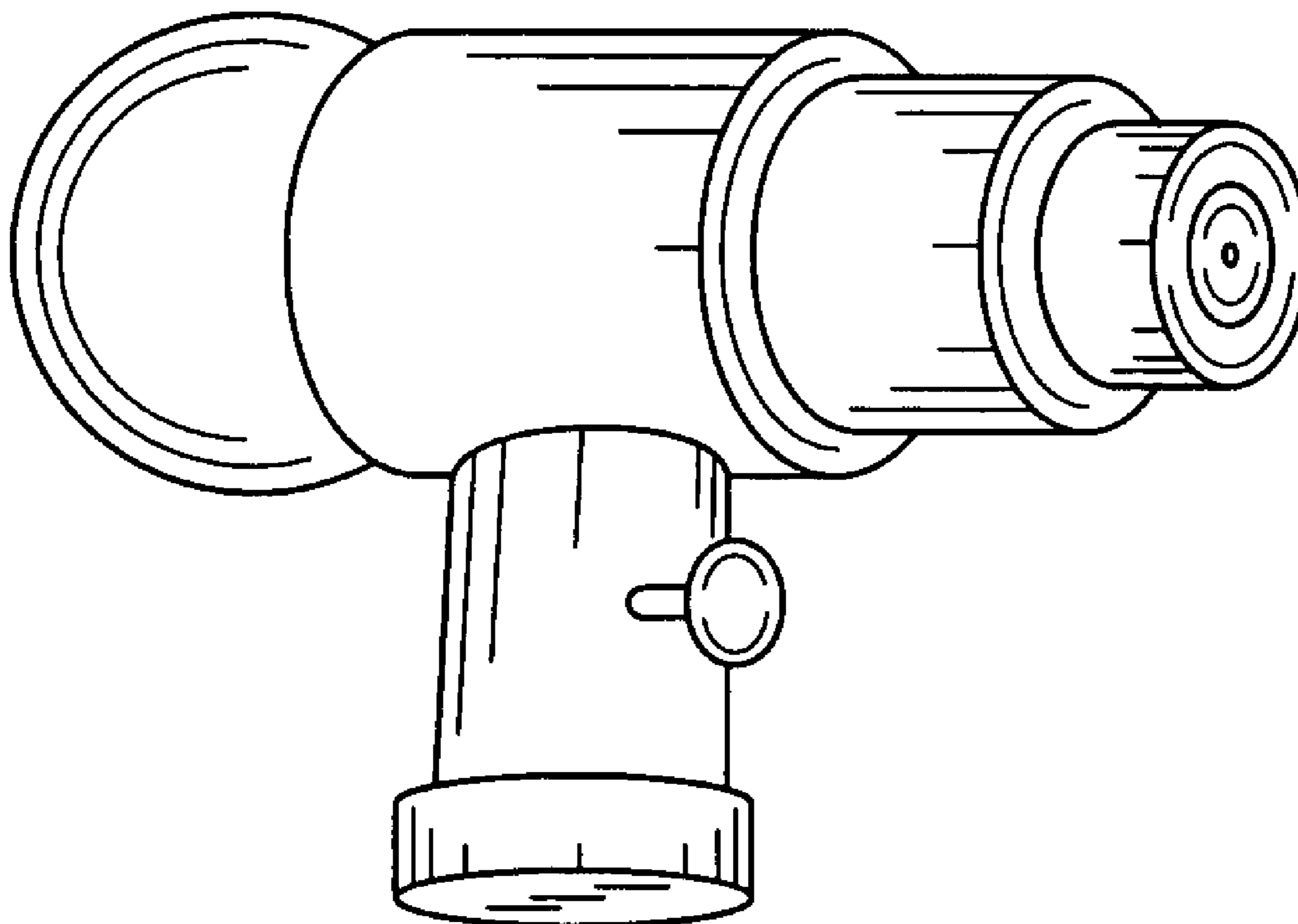
FIG. 3 is a front view of the toy water gun.

FIG. 4 is a rear view of the toy water gun.

FIG. 5 is a bottom view of the toy water gun; and,

FIG. 6 is a top view of the toy water gun.

1 Claim, 2 Drawing Sheets



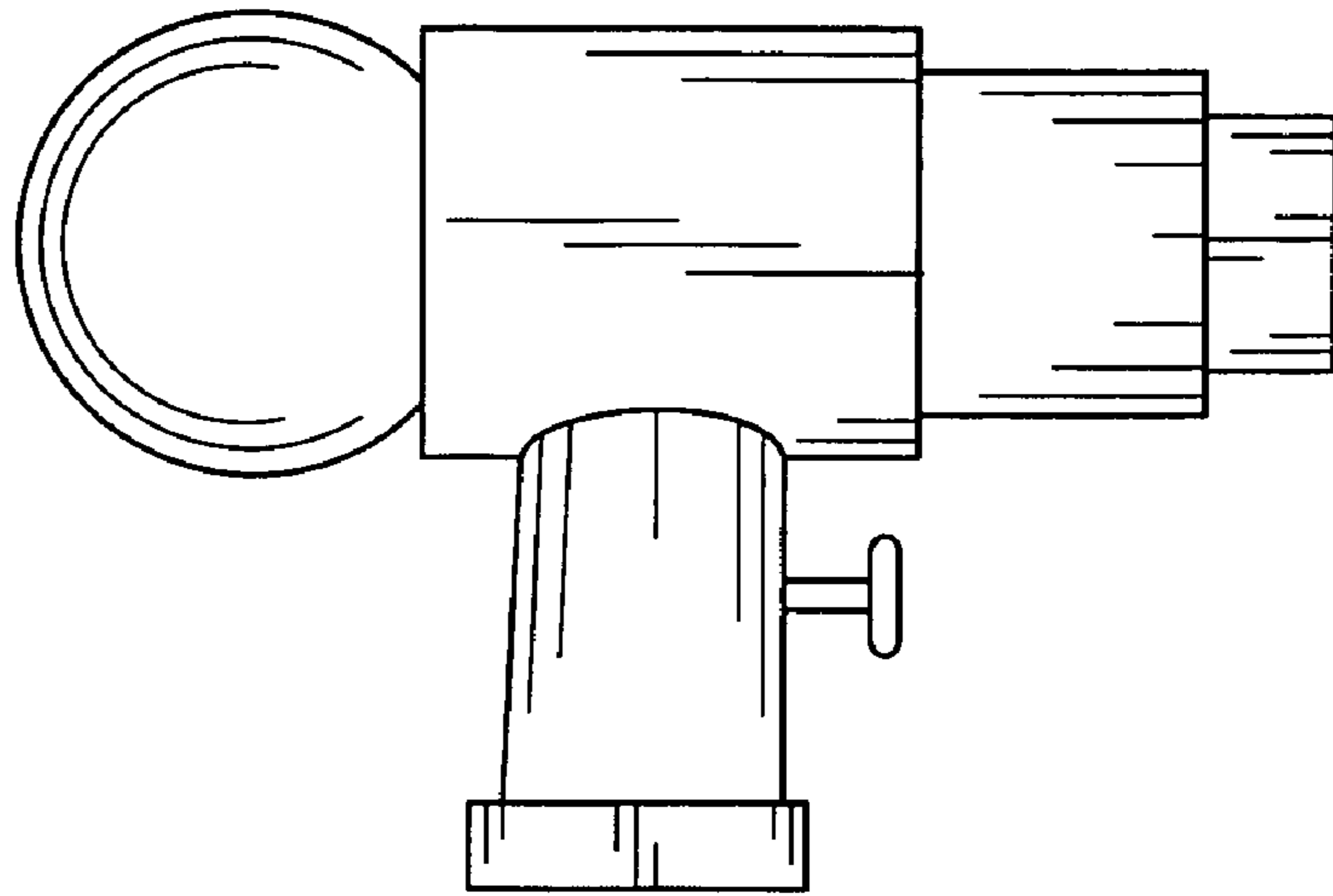


FIG. 1

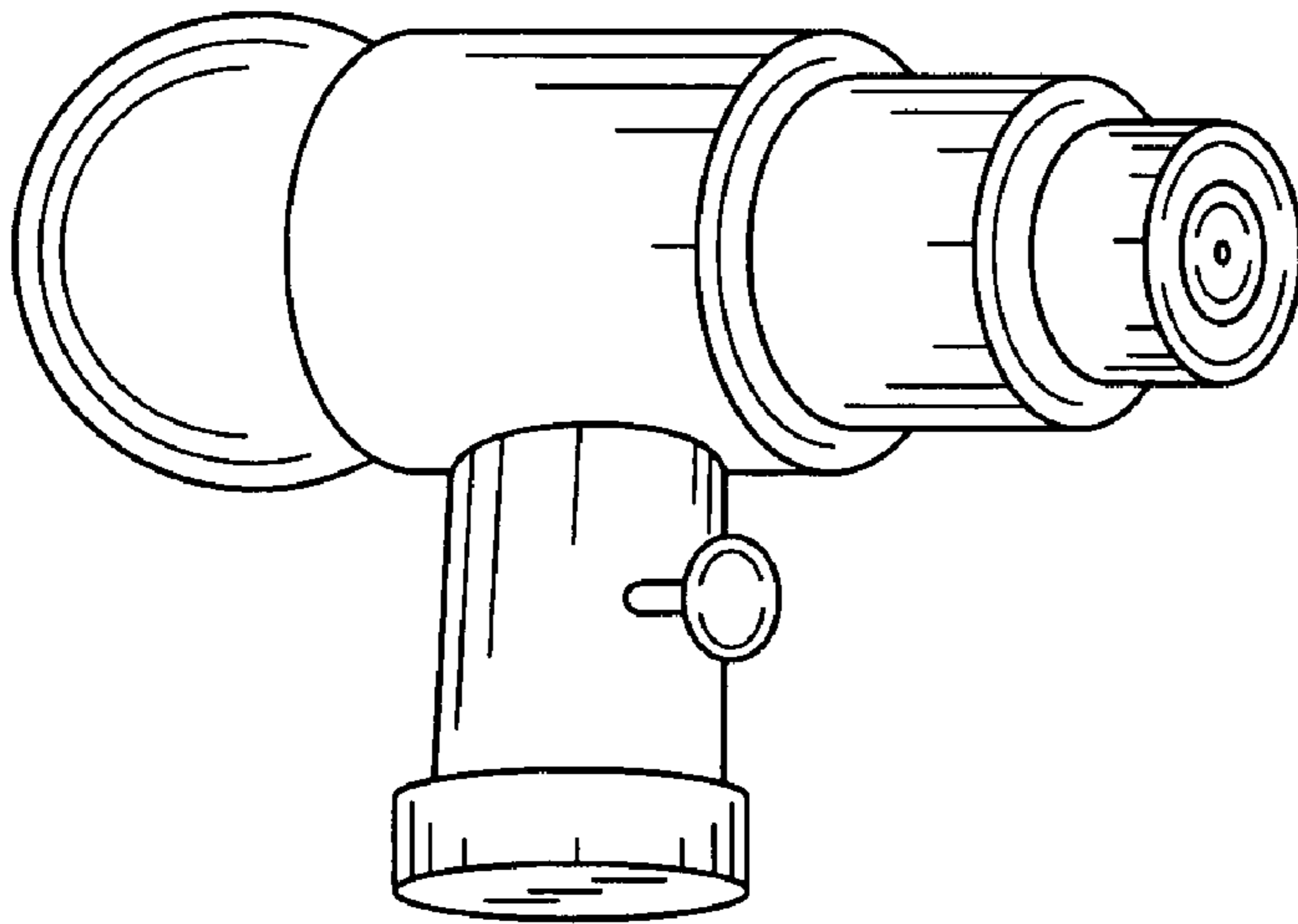


FIG. 2

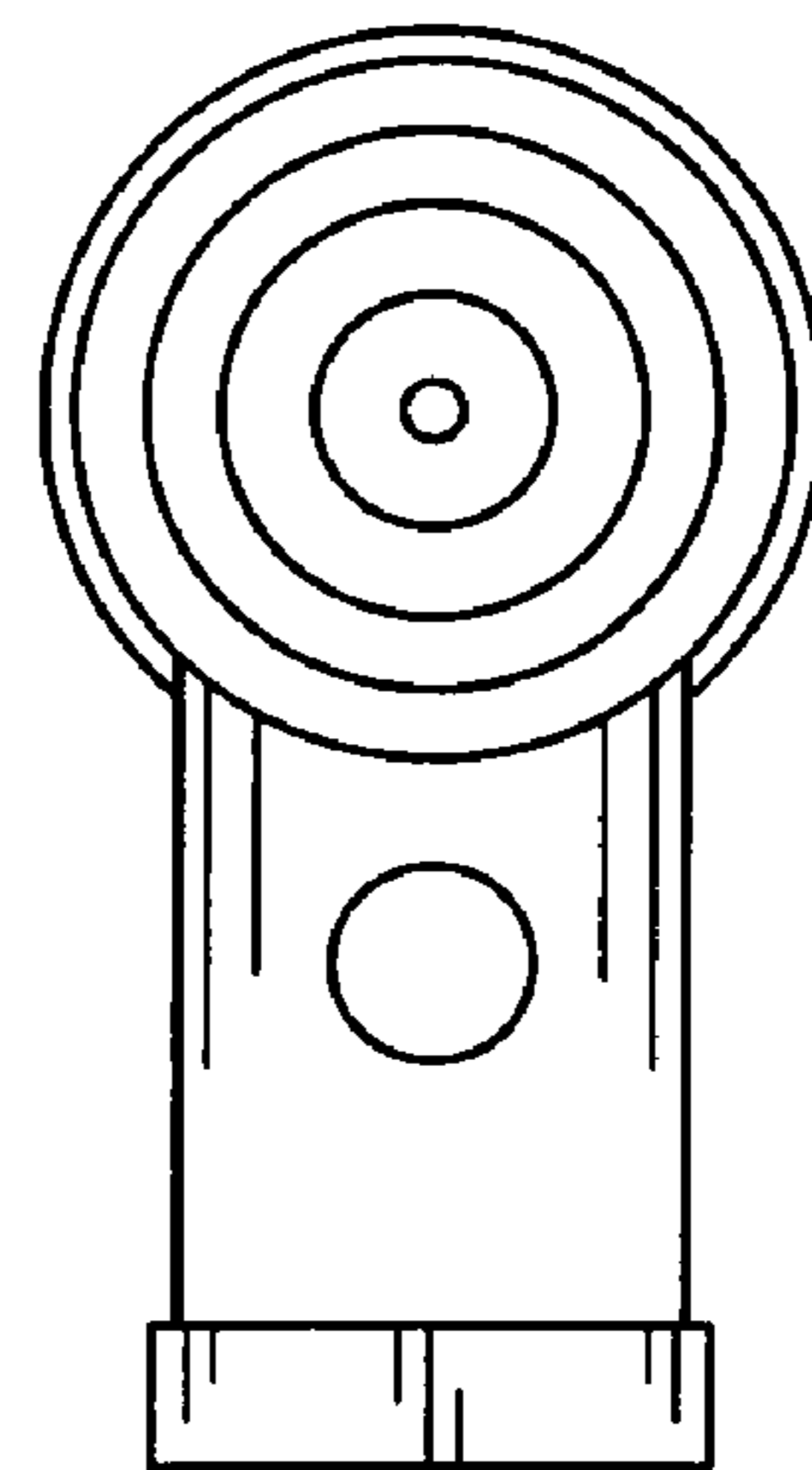


FIG. 3

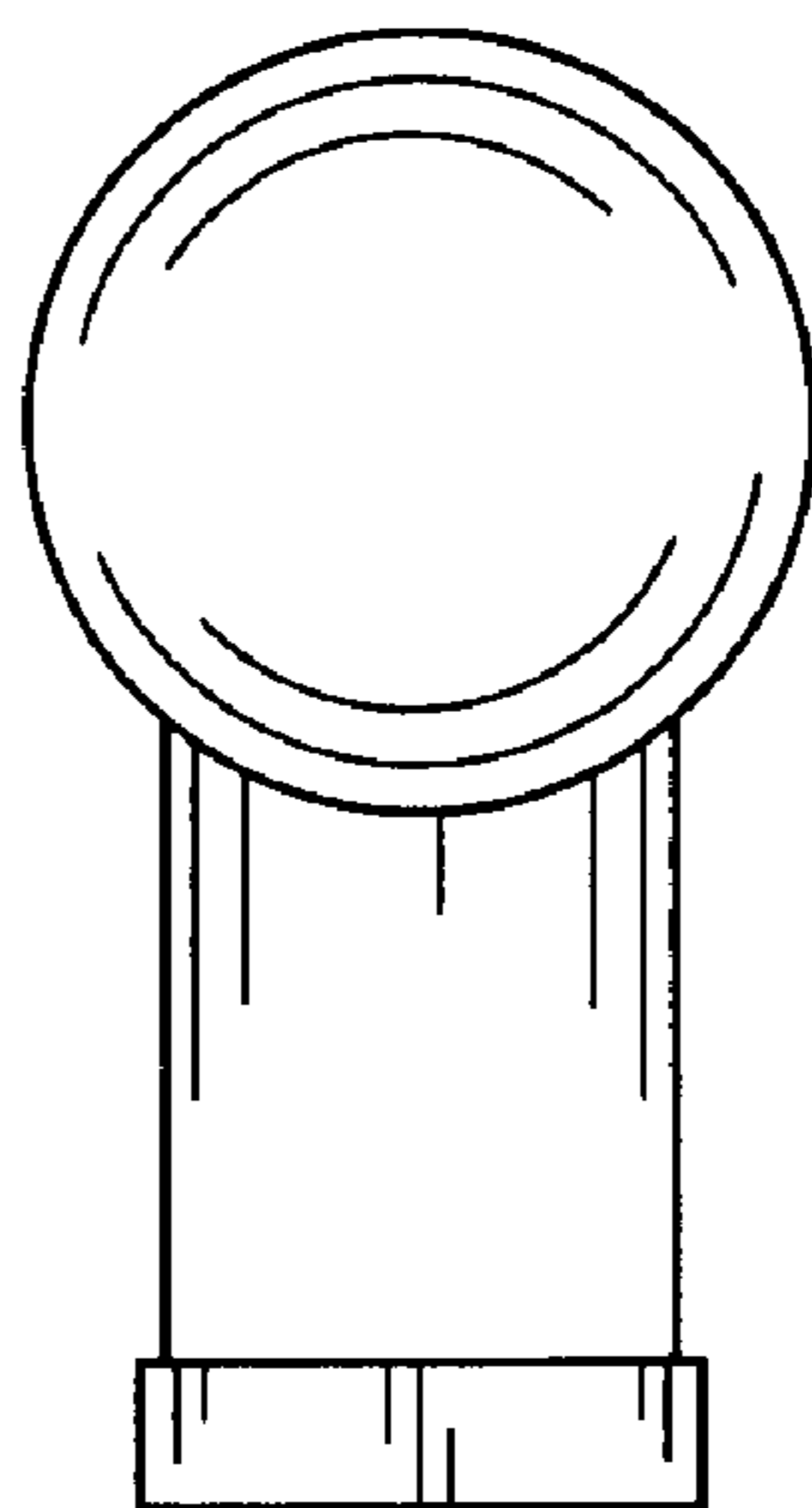


FIG. 4

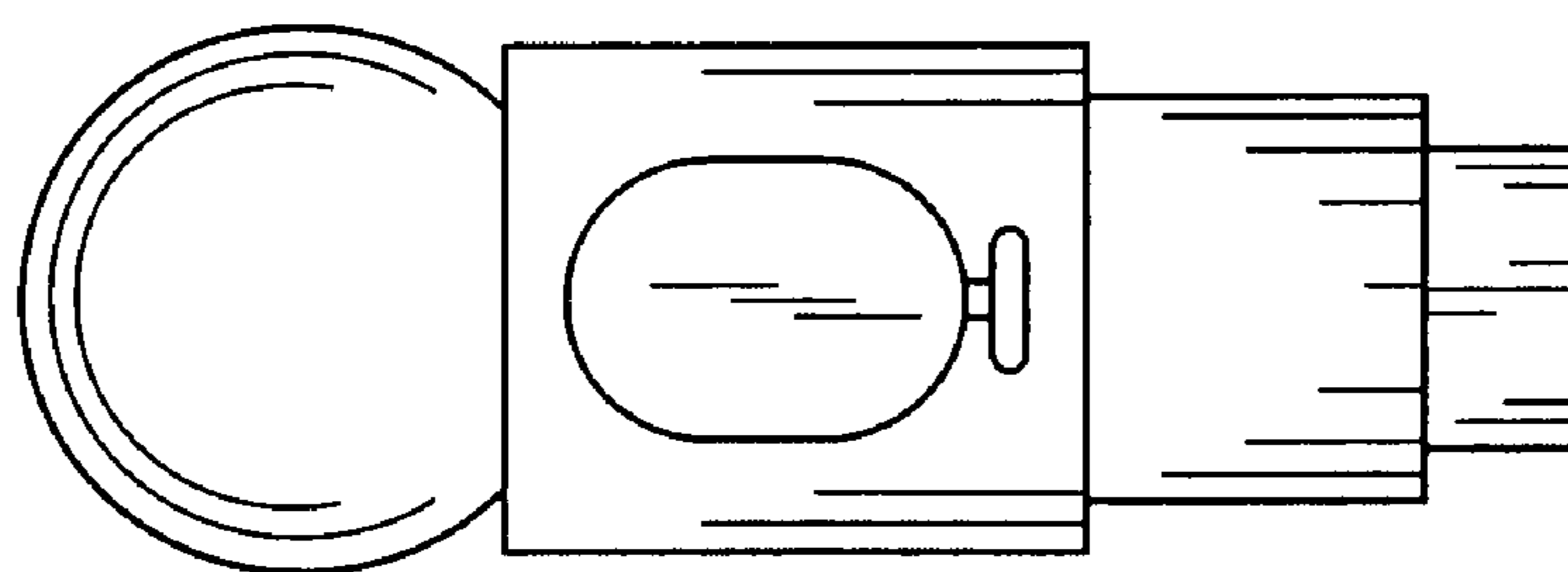


FIG. 5

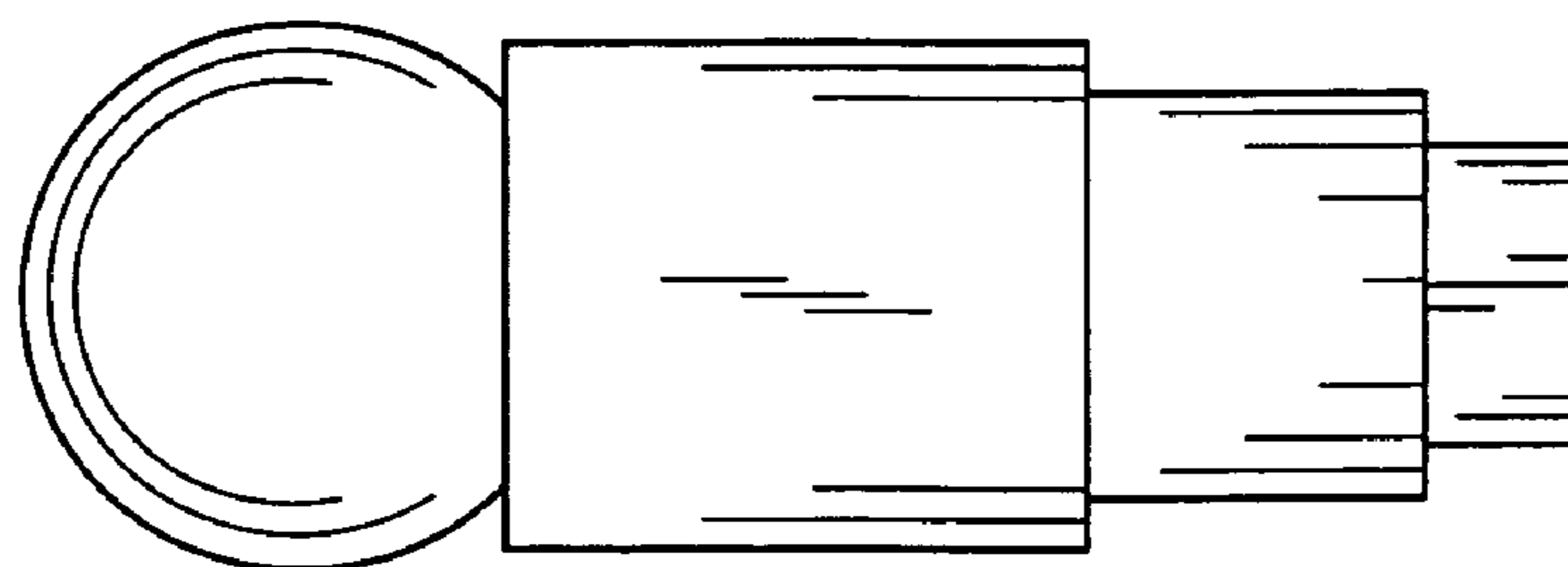


FIG. 6