



US00D617397S

(12) **United States Design Patent**
Thorogood

(10) **Patent No.:** **US D617,397 S**
(45) **Date of Patent:** **** Jun. 8, 2010**

(54) **ELEMENT FOR A TOY CONSTRUCTION SET**

(75) Inventor: **William Thorogood**, Kolding (DK)

(73) Assignee: **Lego A/S**, Billund (DK)

(**) Term: **14 Years**

(21) Appl. No.: **29/315,661**

(22) Filed: **Jul. 14, 2009**

(30) **Foreign Application Priority Data**

Jan. 27, 2009 (EM) 001076178

(51) **LOC (9) Cl.** **21-01**

(52) **U.S. Cl.** **D21/502; D21/503**

(58) **Field of Classification Search** D21/484,
D21/485, 486, 489, 491, 494, 495, 499, 500-504;
446/69, 85, 102-128; 434/208, 259, 403;
273/153, 156, 160; 428/174

See application file for complete search history.

(56) **References Cited**

U.S. PATENT DOCUMENTS

D308,708 S * 6/1990 Poulsen D21/495
5,049,104 A * 9/1991 Olsen 446/104
D352,746 S * 11/1994 Hatting D21/502
D406,611 S * 3/1999 Holm D21/503
D412,947 S * 8/1999 Raundahl D21/503

D528,608 S * 9/2006 Kossmann D21/486
D528,609 S * 9/2006 Kossmann D21/503
D563,485 S * 3/2008 Glickman D21/484

* cited by examiner

Primary Examiner—Philip S Hyder

Assistant Examiner—Cynthia M Chin

(74) *Attorney, Agent, or Firm*—Day Pitney LLP

(57) **CLAIM**

The ornamental design for an element for a toy construction set, as shown and described.

DESCRIPTION

FIG. 1 is a top front perspective view of the element for a toy construction set of the present design;

FIG. 2 is a top rear perspective view thereof;

FIG. 3 is a front view thereof;

FIG. 4 is a rear view thereof;

FIG. 5 is a top plan view thereof;

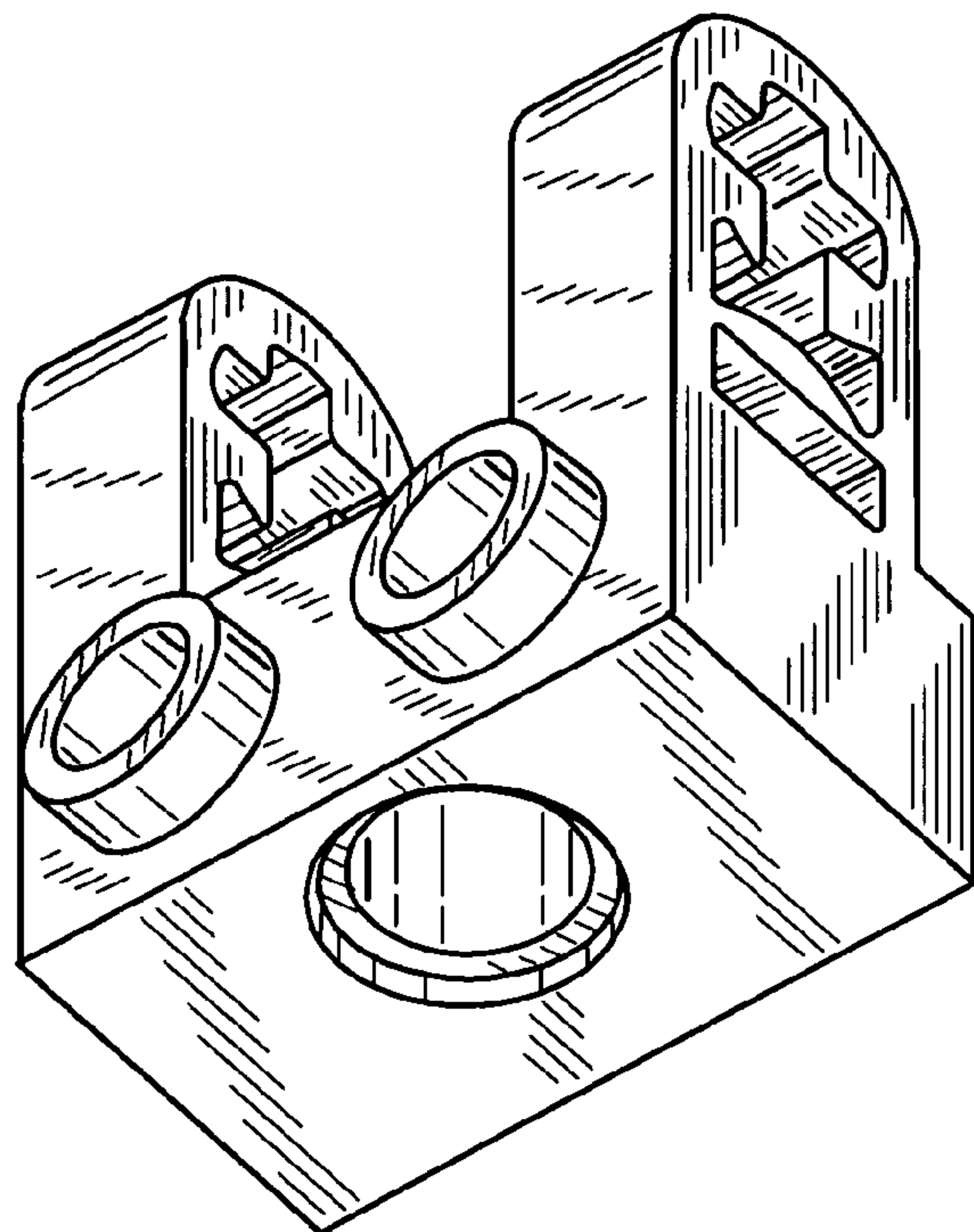
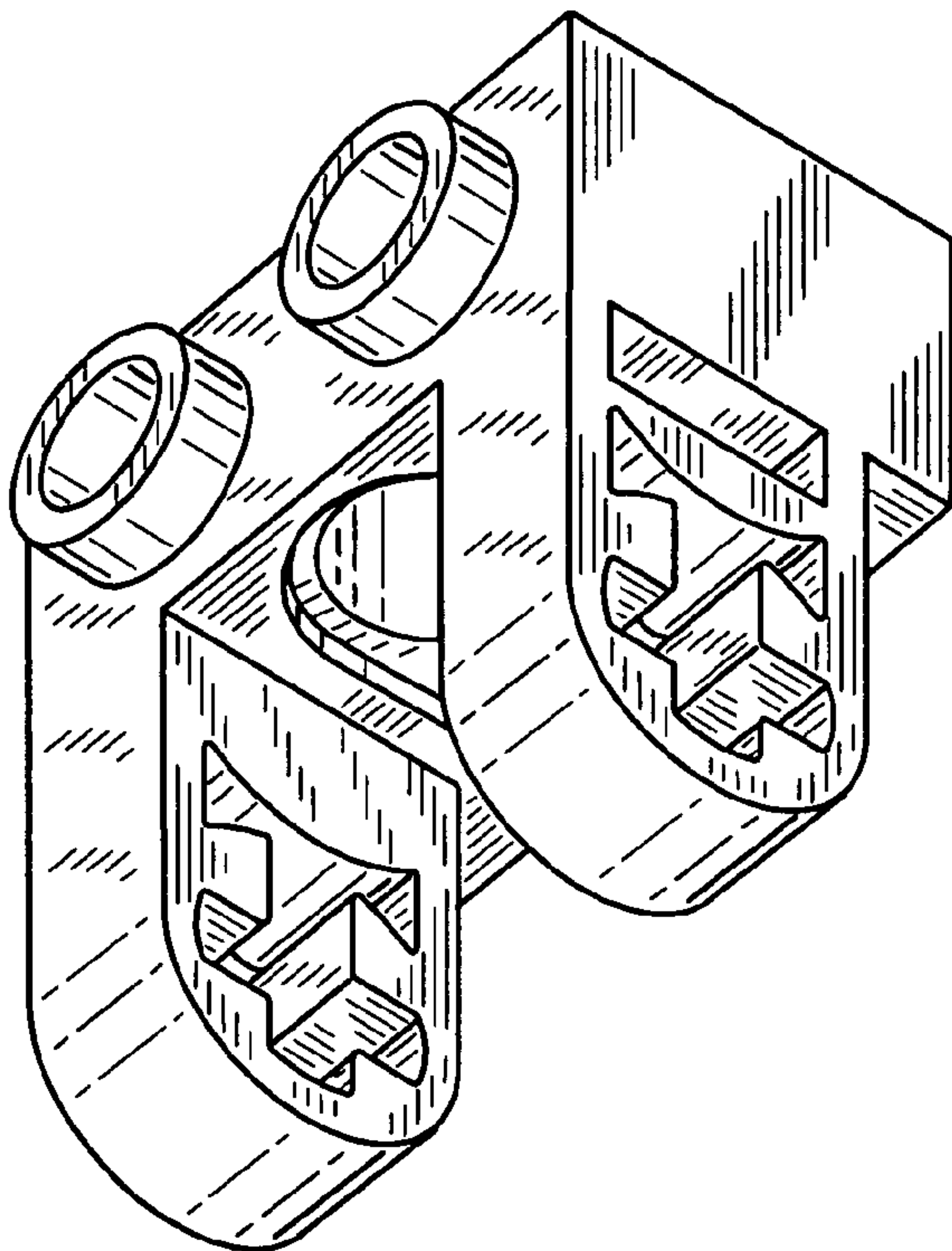
FIG. 6 is a bottom plan view thereof;

FIG. 7 is a right side view thereof;

FIG. 8 is a left side view thereof; and,

FIG. 9 is a bottom perspective view thereof.

1 Claim, 9 Drawing Sheets



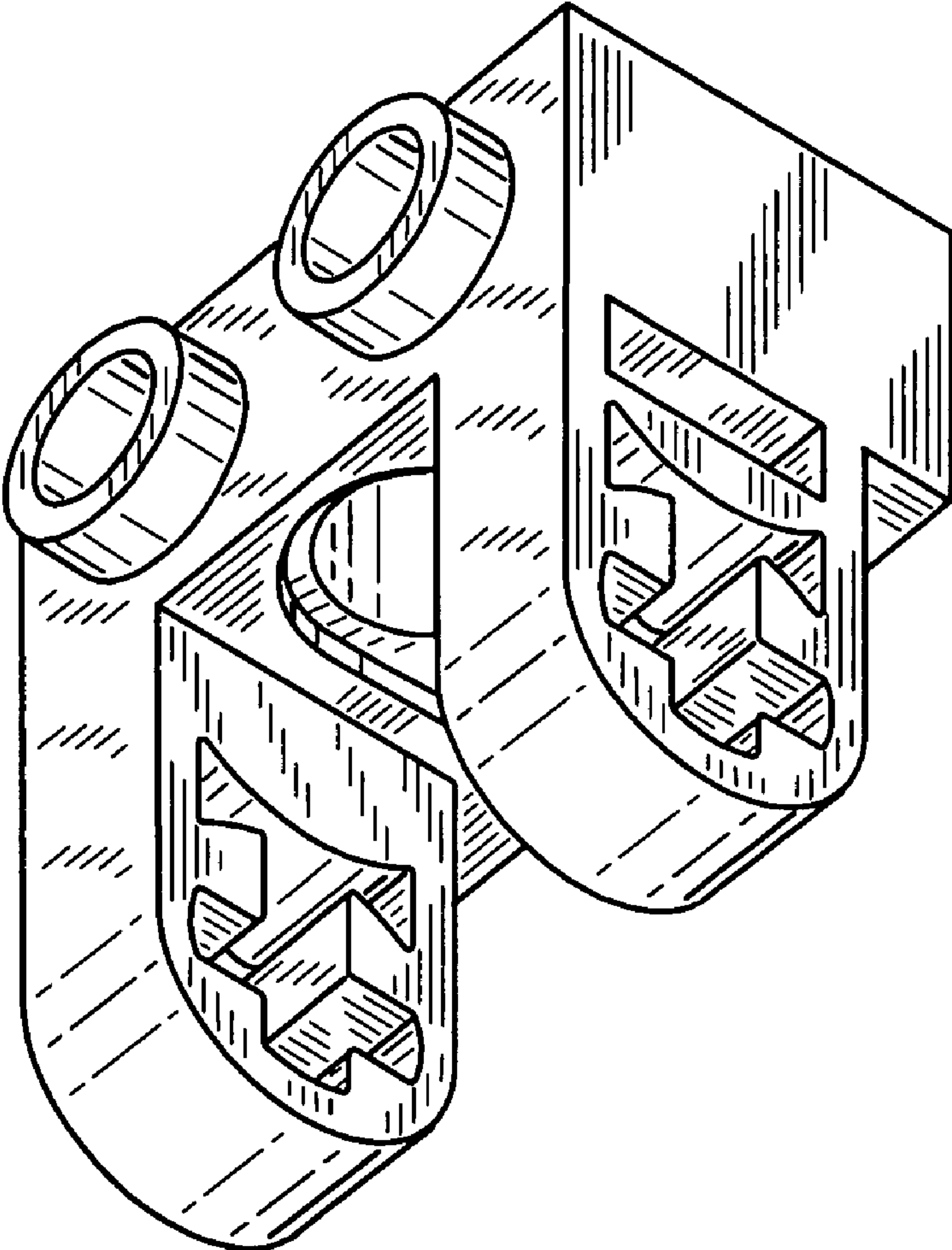


FIG. 1

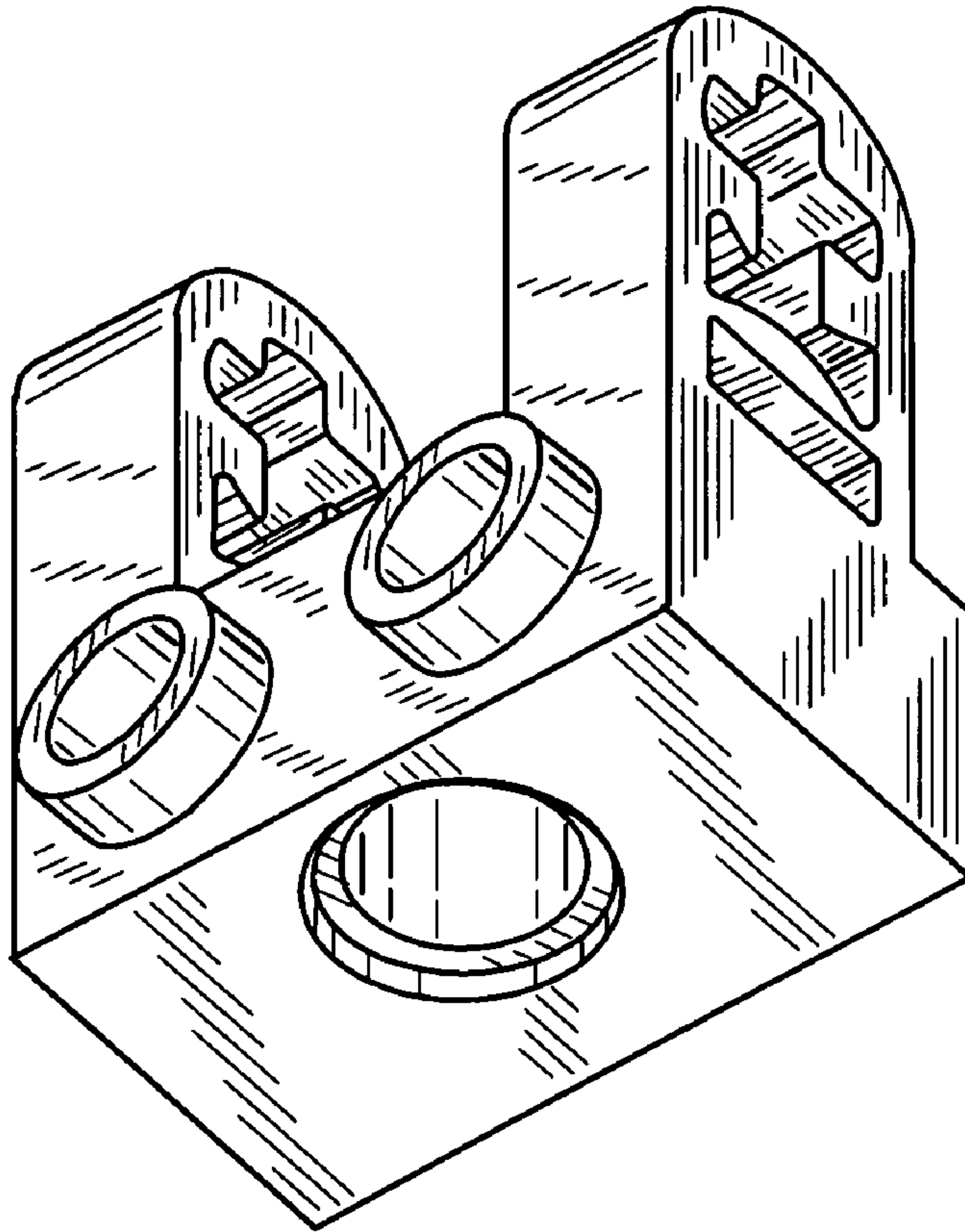


FIG. 2

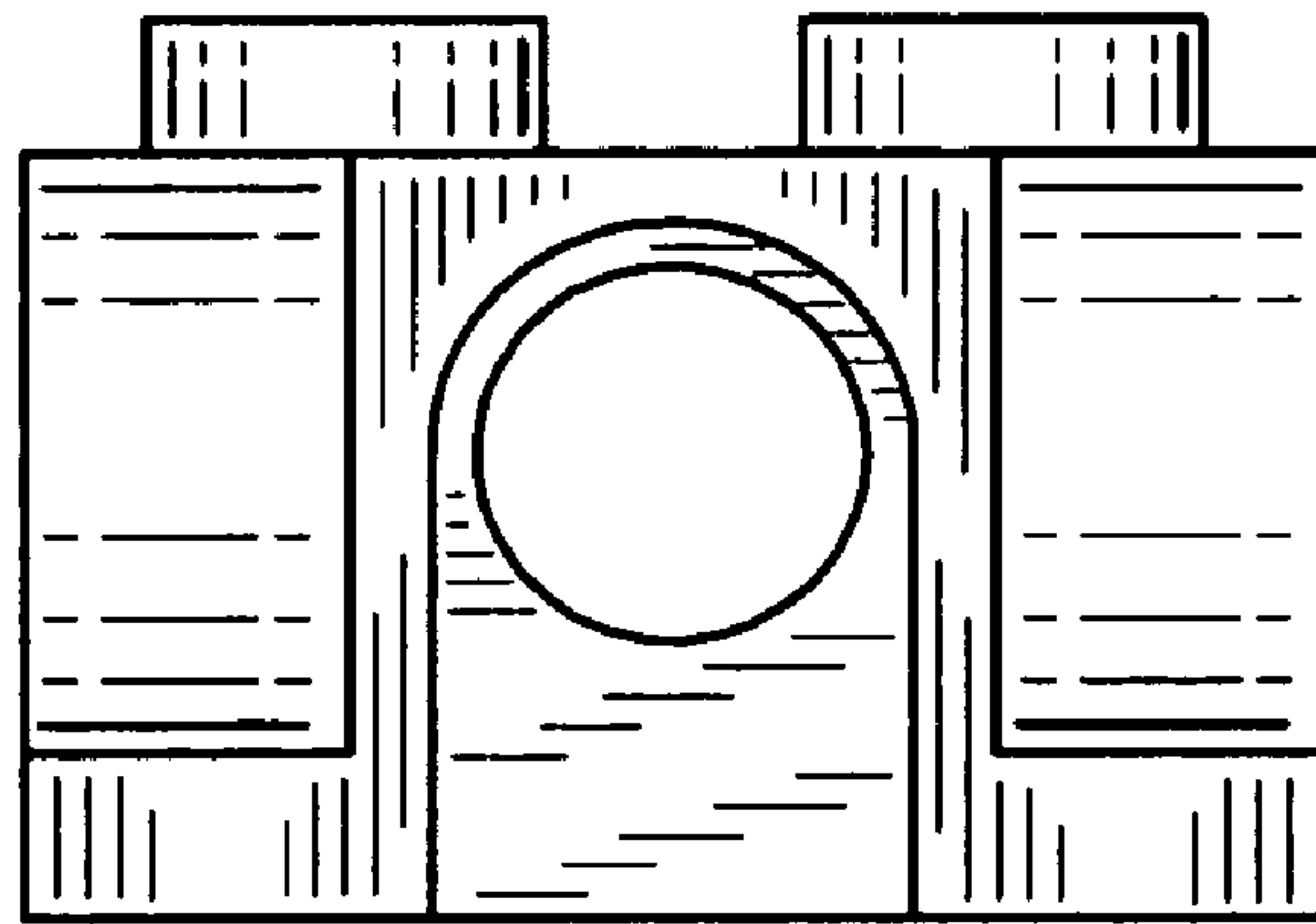


FIG. 3

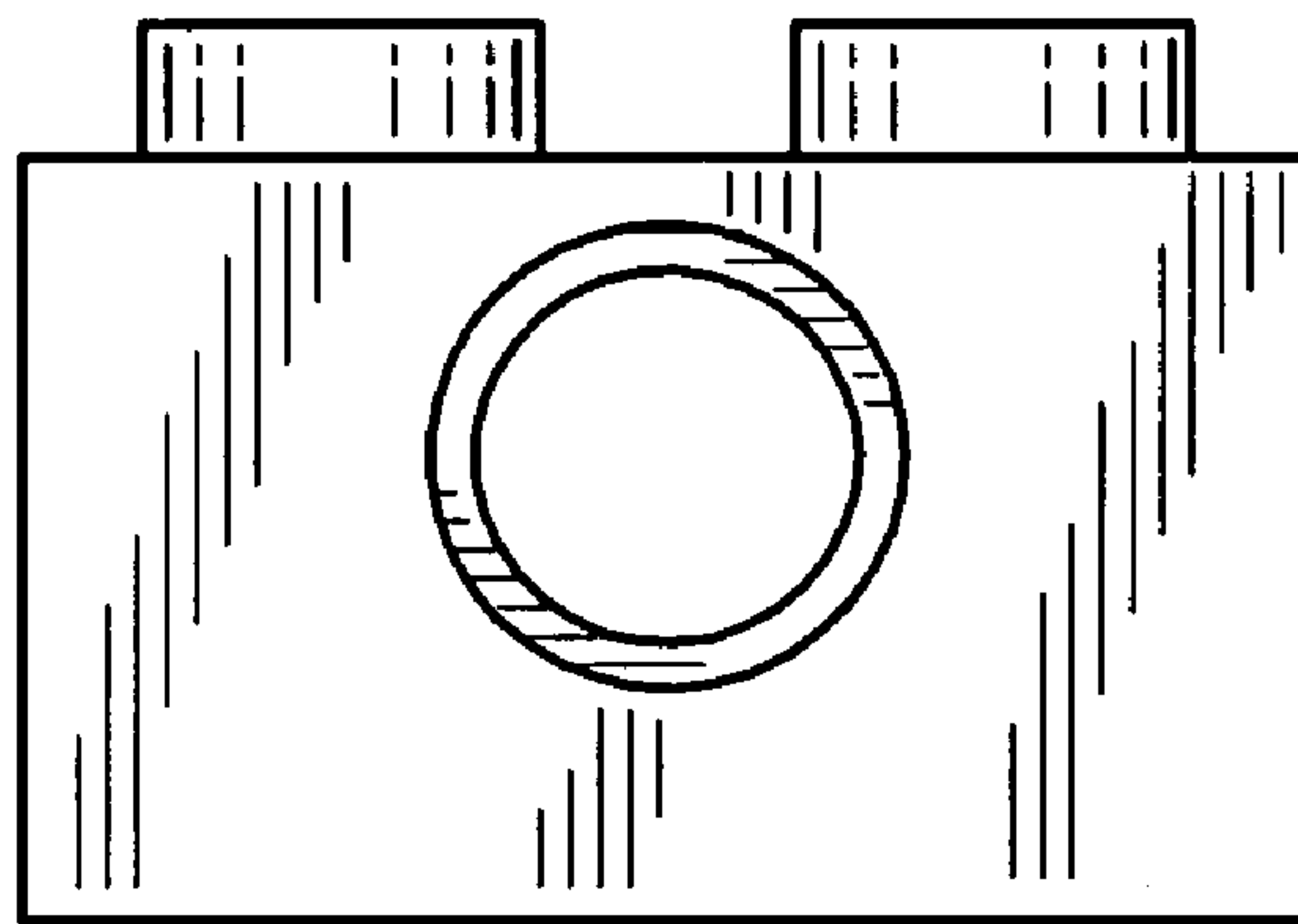


FIG. 4

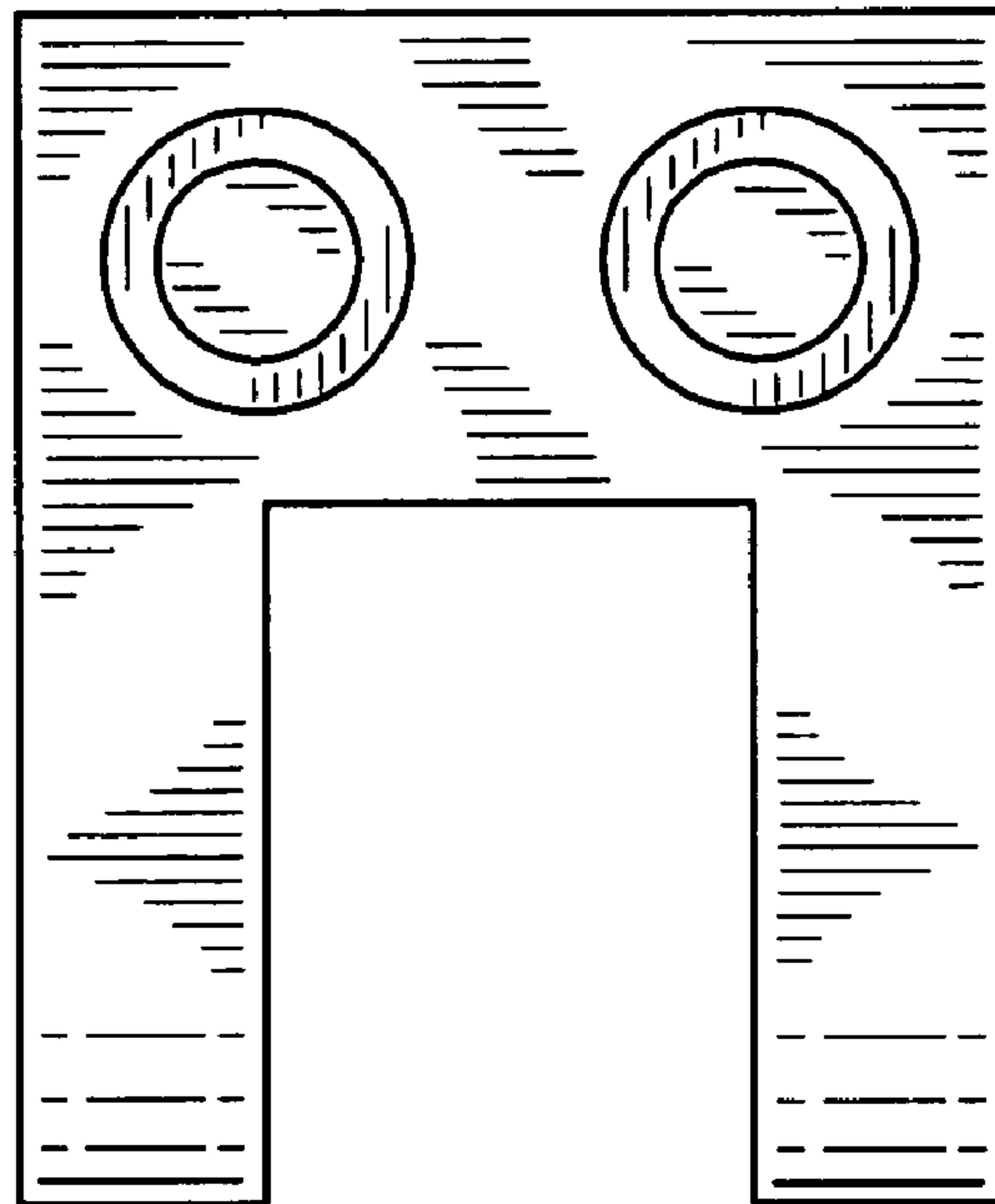


FIG. 5

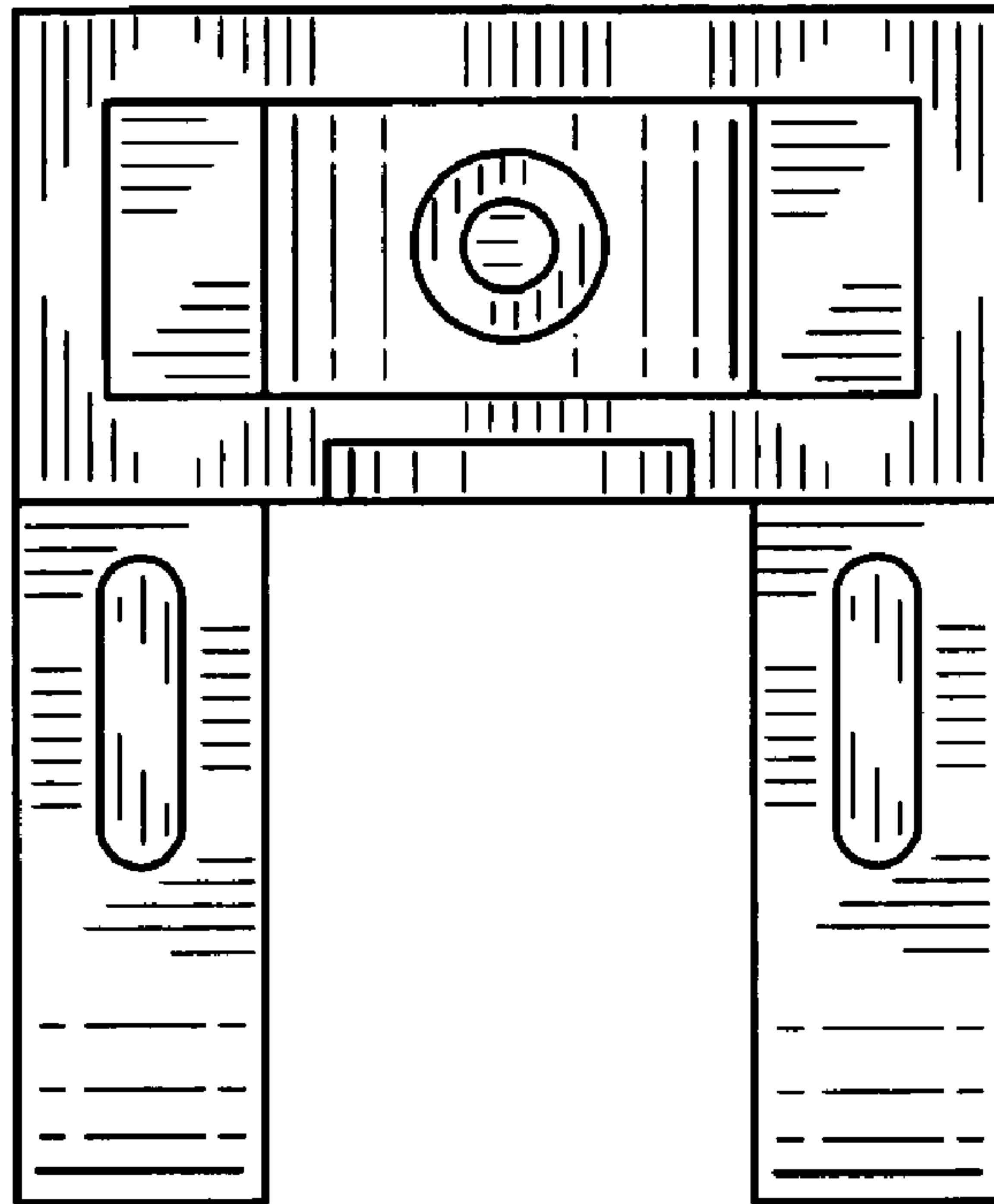


FIG. 6

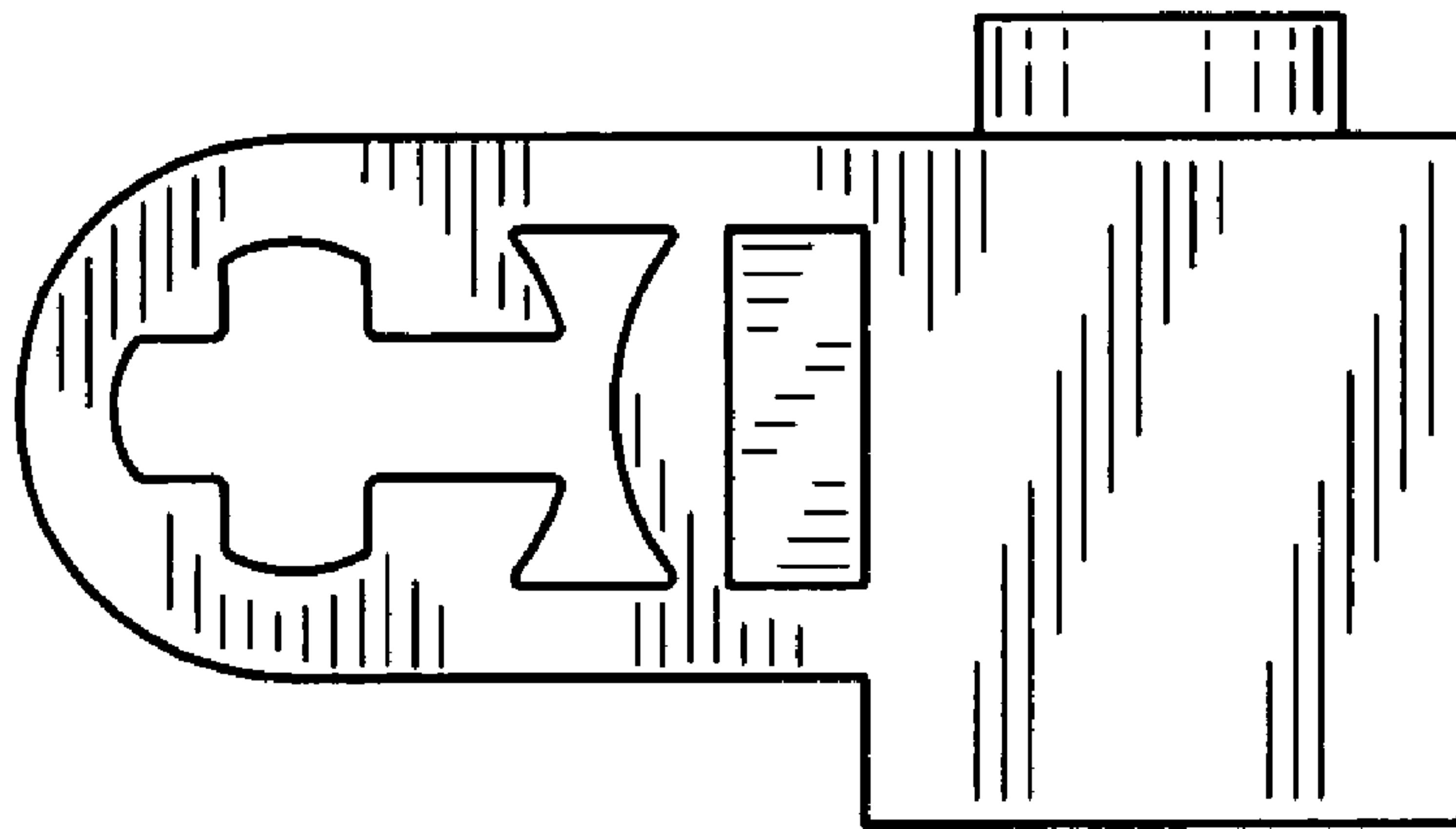


FIG. 7

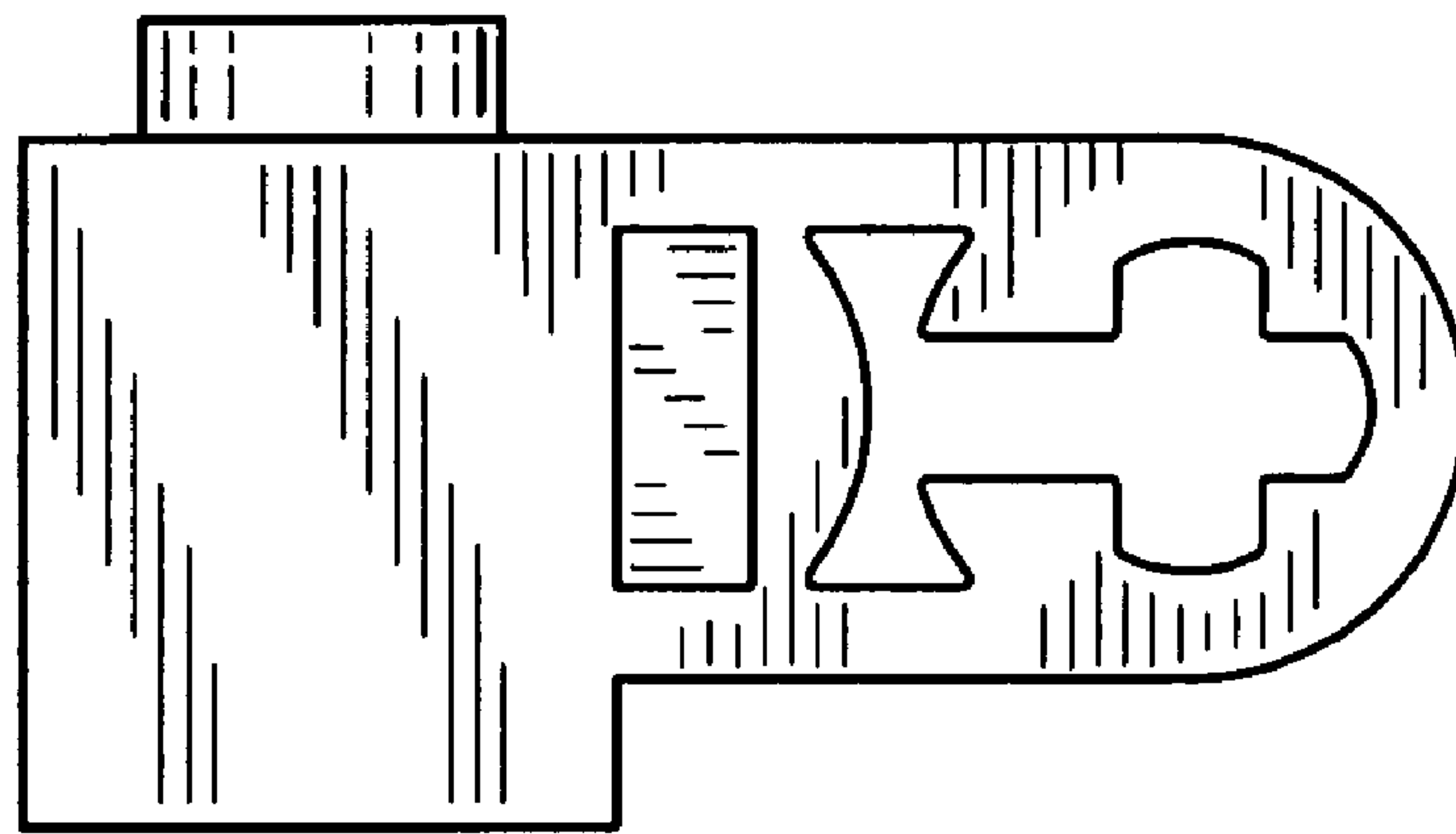


FIG. 8

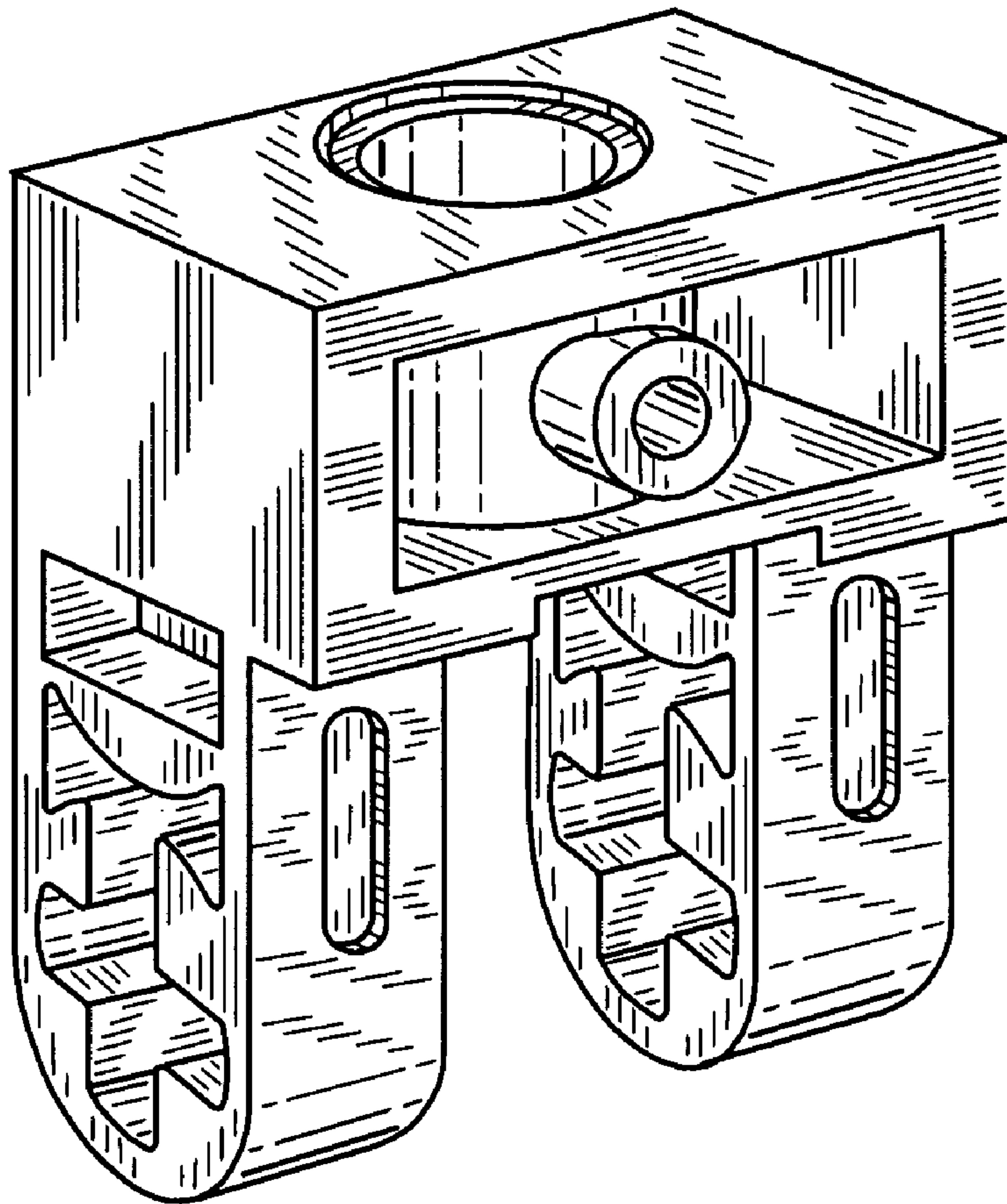


FIG. 9