



US00D617396S

(12) **United States Design Patent**
Nielsen

(10) **Patent No.:** **US D617,396 S**
(45) **Date of Patent:** **** Jun. 8, 2010**

(54) **ELEMENT OF A CONSTRUCTION SET**

(75) Inventor: **Jesper C. Nielsen**, Bryrup (DK)

(73) Assignee: **Lego A/S**, Billund (DK)

(**) Term: **14 Years**

(21) Appl. No.: **29/315,671**

(22) Filed: **Jul. 14, 2009**

(30) **Foreign Application Priority Data**

Jan. 27, 2009 (EM) 001076178

(51) **LOC (9) Cl.** **21-01**

(52) **U.S. Cl.** **D21/500**

(58) **Field of Classification Search** D21/484,
D21/485, 486, 489-495, 499, 500-505; 446/69,
446/85, 102-128; 434/208, 259, 403; 273/153,
273/156, 160

See application file for complete search history.

(56) **References Cited**

U.S. PATENT DOCUMENTS

D309,927 S * 8/1990 Ryaa et al. D21/500
D335,155 S * 4/1993 Pedersen D21/500
D351,000 S * 9/1994 Kohler D21/488

D373,151 S * 8/1996 Mathiesen D21/489
D384,995 S * 10/1997 Munir D21/491
D394,287 S * 5/1998 Jensen et al. D21/500
D425,214 S * 5/2000 Speck D25/118
D487,544 S * 3/2004 Jessen et al. D3/326
D553,201 S * 10/2007 Glickman et al. D21/485
D605,235 S * 12/2009 Julich D21/489

* cited by examiner

Primary Examiner—Philip S Hyder

Assistant Examiner—Cynthia M Chin

(74) *Attorney, Agent, or Firm*—Day Pitney LLP

(57) **CLAIM**

The ornamental design for an element of a construction set, as shown and described.

DESCRIPTION

FIG. 1 is a top perspective view of the element of a construction set of the present design;

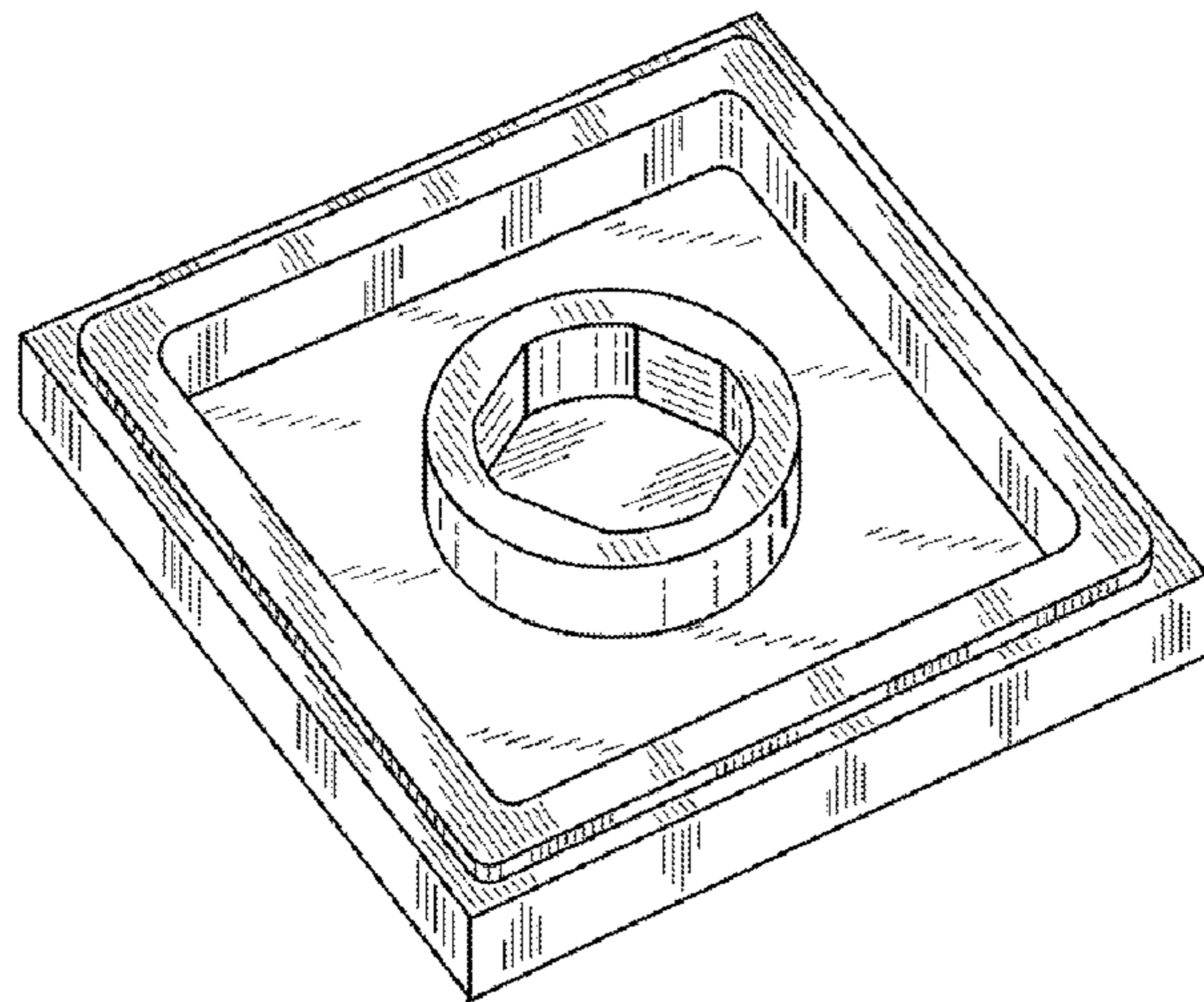
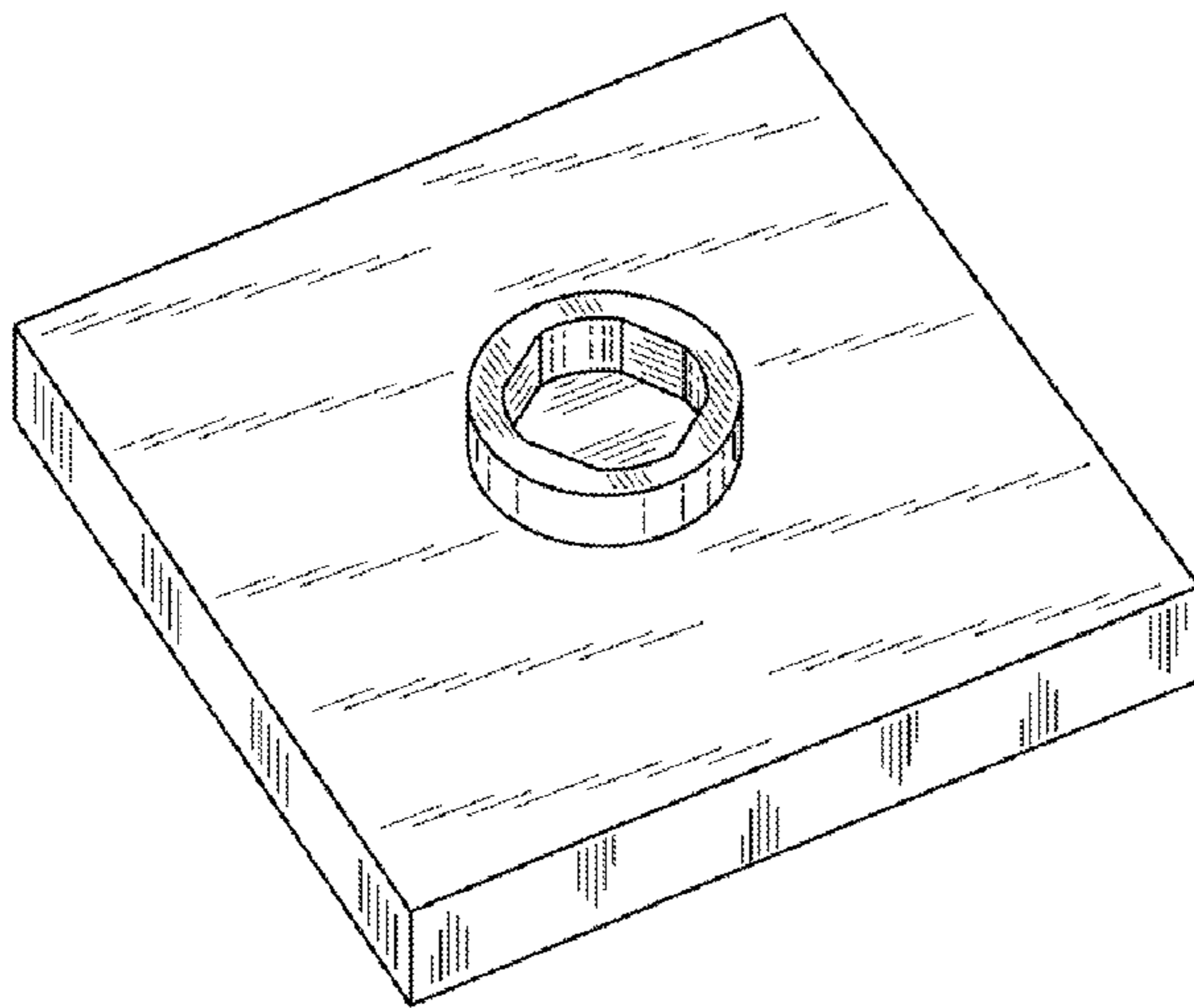
FIG. 2 is a bottom perspective view thereof;

FIG. 3 is a side view thereof;

FIG. 4 is a top plan view thereof; and,

FIG. 5 is a bottom plan view thereof.

1 Claim, 5 Drawing Sheets



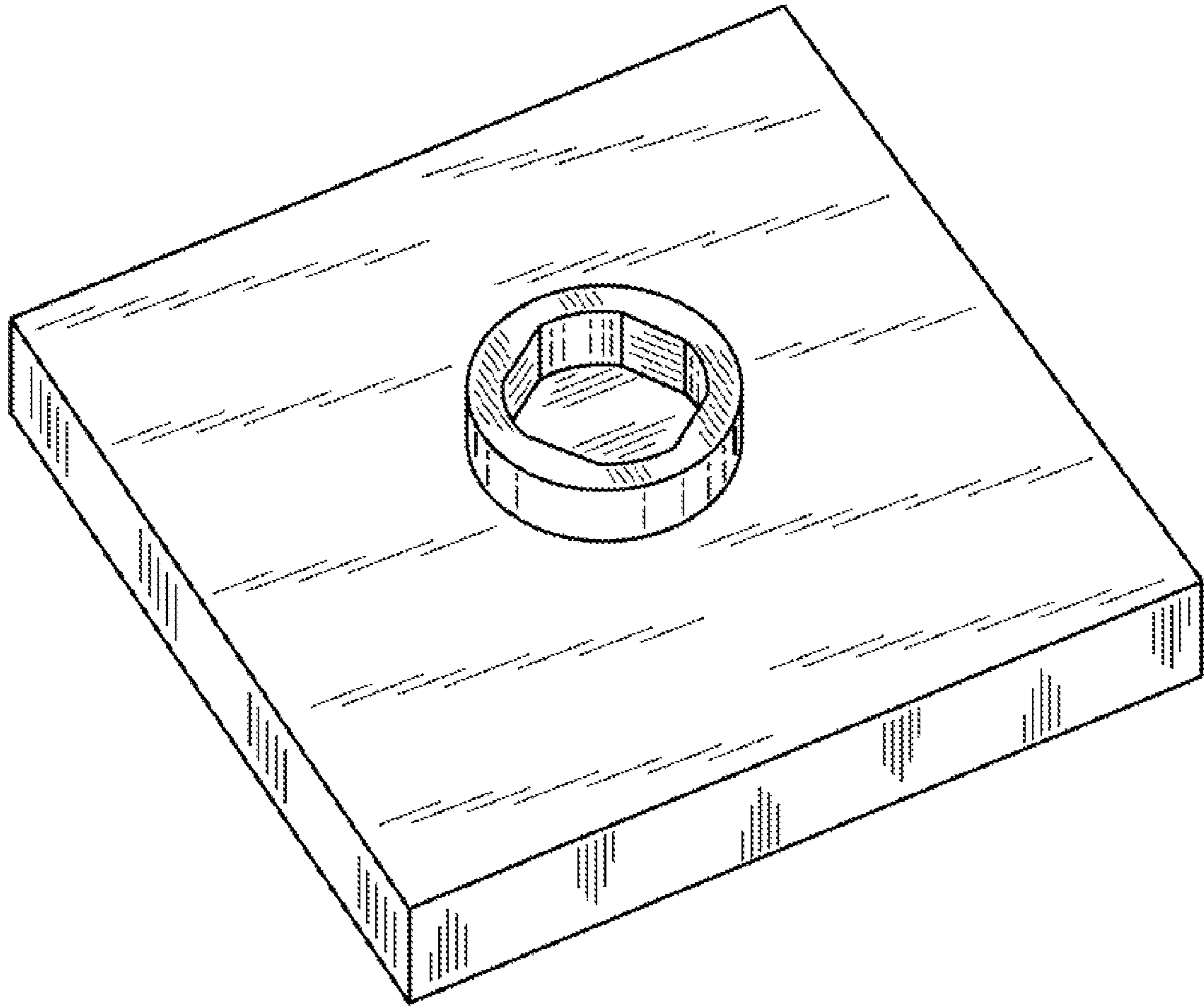


FIG. 1

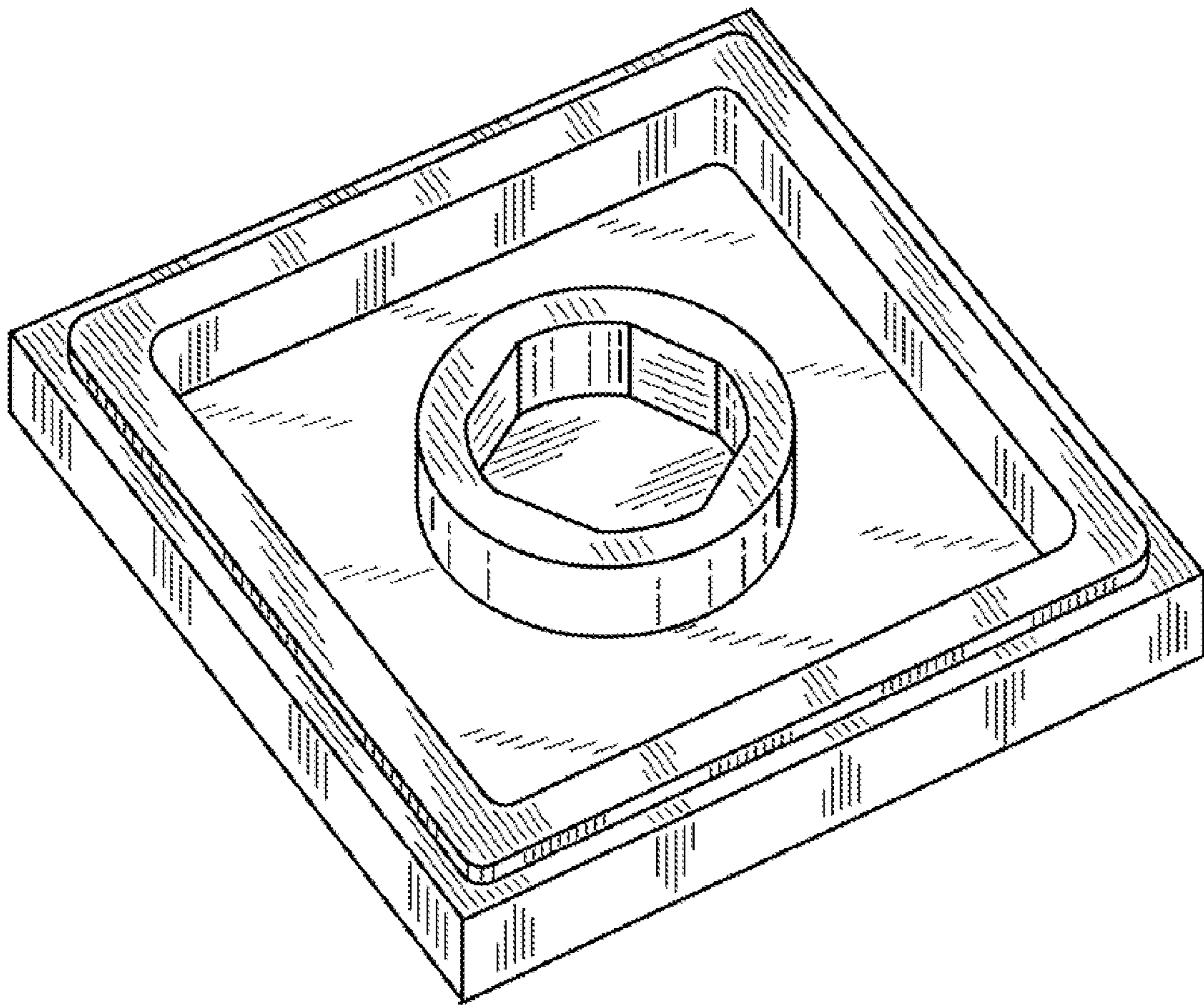


FIG. 2

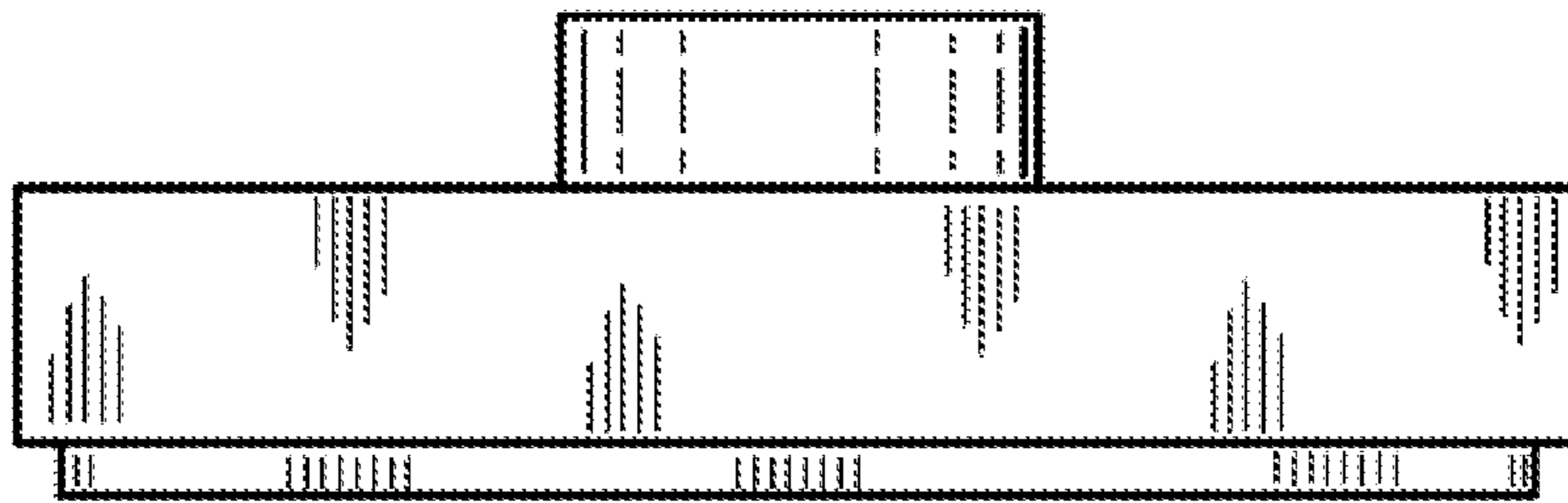


FIG. 3

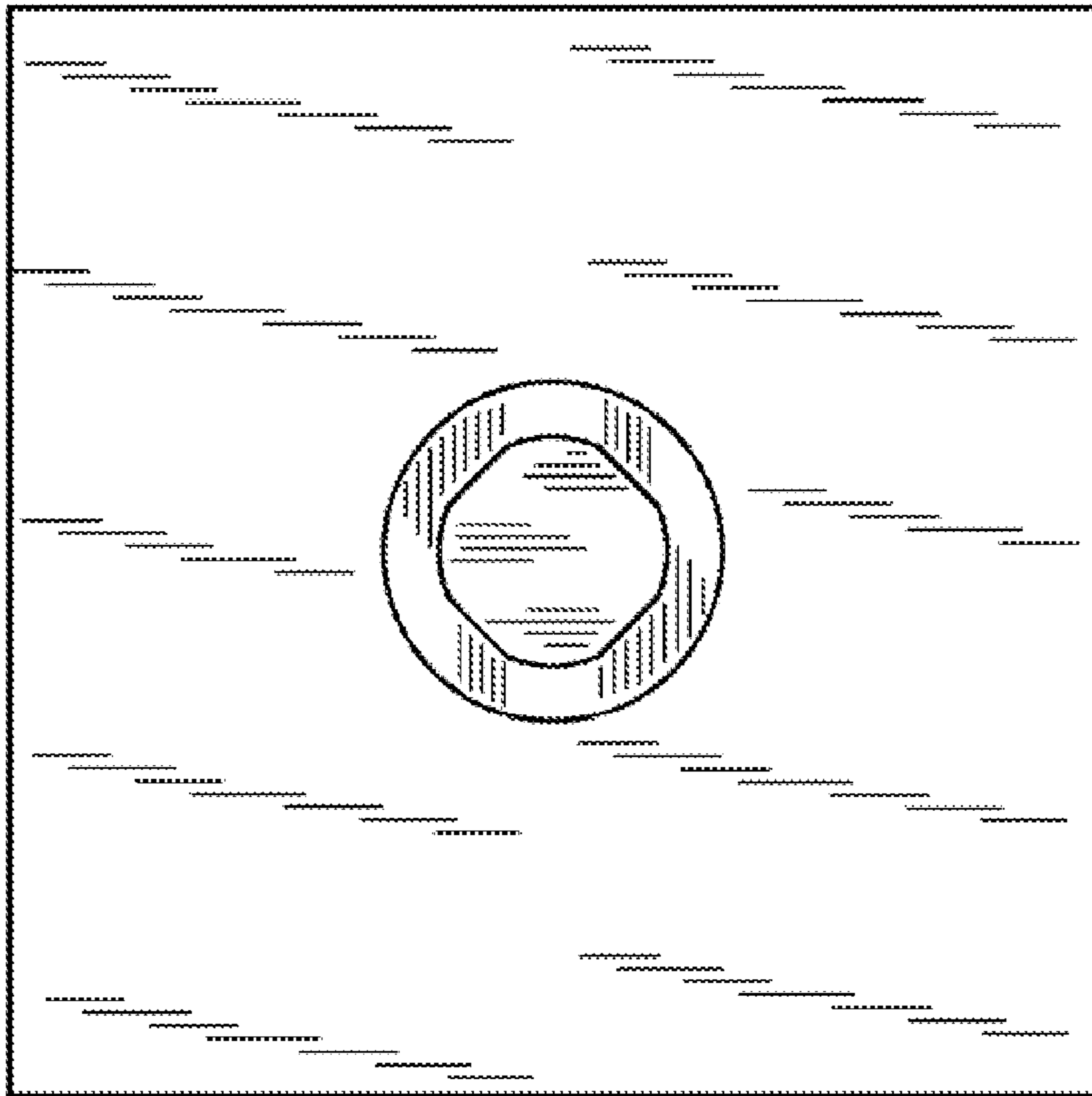


FIG. 4

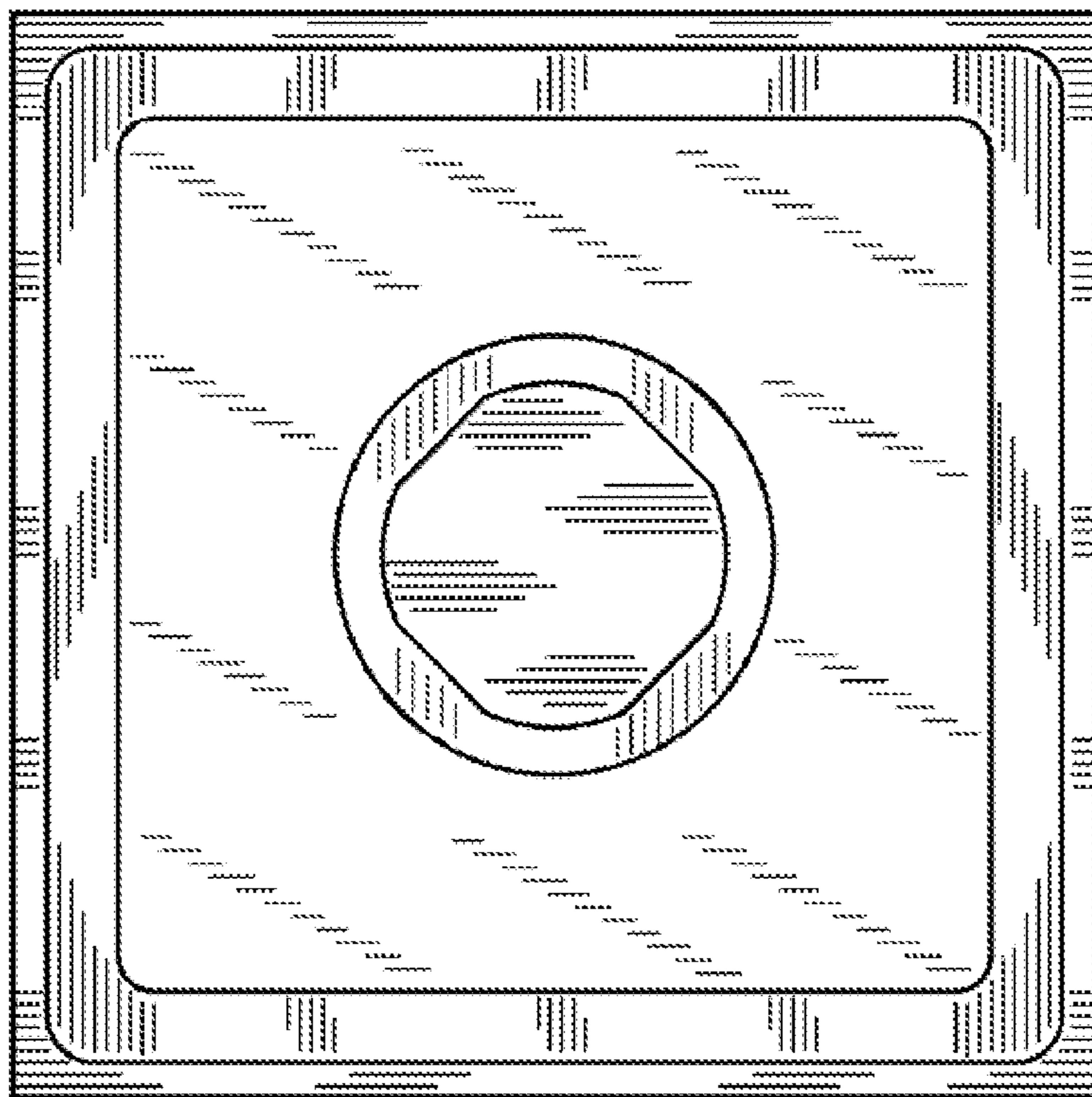


FIG. 5