



US00D617393S

(12) **United States Design Patent**
McLaughlin

(10) **Patent No.:** **US D617,393 S**

(45) **Date of Patent:** **** Jun. 8, 2010**

(54) **RECREATIONAL KID'S MATE**

D483,419 S * 12/2003 Chiappetta et al. D21/425
D499,774 S * 12/2004 Dong D21/599
D527,678 S * 9/2006 Warner D21/599

(75) Inventor: **Ronald J. McLaughlin**, Villa Rica, GA
(US)

* cited by examiner

(73) Assignee: **McLaughlin Enterprise International, Inc.**, Atlanta, GA (US)

Primary Examiner—Sandra Morris

(74) *Attorney, Agent, or Firm*—Bryan Cave LLP

(**) Term: **14 Years**

(57) **CLAIM**

(21) Appl. No.: **29/346,870**

I claim the ornamental design for a recreational kid's mate, as shown and described.

(22) Filed: **Nov. 6, 2009**

DESCRIPTION

Related U.S. Application Data

(62) Division of application No. 29/312,559, filed on Oct. 30, 2008, now Pat. No. Des. 608,399.

FIG. 1 is a perspective view of a first embodiment of the recreational kid's mate, showing my new design;

FIG. 2 is a front view thereof;

FIG. 3 is a rear view thereof;

(51) **LOC (9) Cl.** **21-01**

(52) **U.S. Cl.** **D21/427; D21/592; D21/599**

FIG. 4 is a right side view thereof, of which the left side is a mirror image;

(58) **Field of Classification Search** D21/425,
D21/427-428, 576, 578, 584-585, 587-592,
D21/595, 597-603; D22/136; 446/72, 97,
446/268-269, 369, 376, 451; 280/87.01,
280/87.021; D7/606

FIG. 5 is a top view thereof;

FIG. 6 is a bottom view thereof;

See application file for complete search history.

FIG. 7 is a perspective view of a second embodiment of the recreational kid's mate, showing my new design;

FIG. 8 is a front view thereof;

FIG. 9 is a rear view thereof;

(56) **References Cited**

U.S. PATENT DOCUMENTS

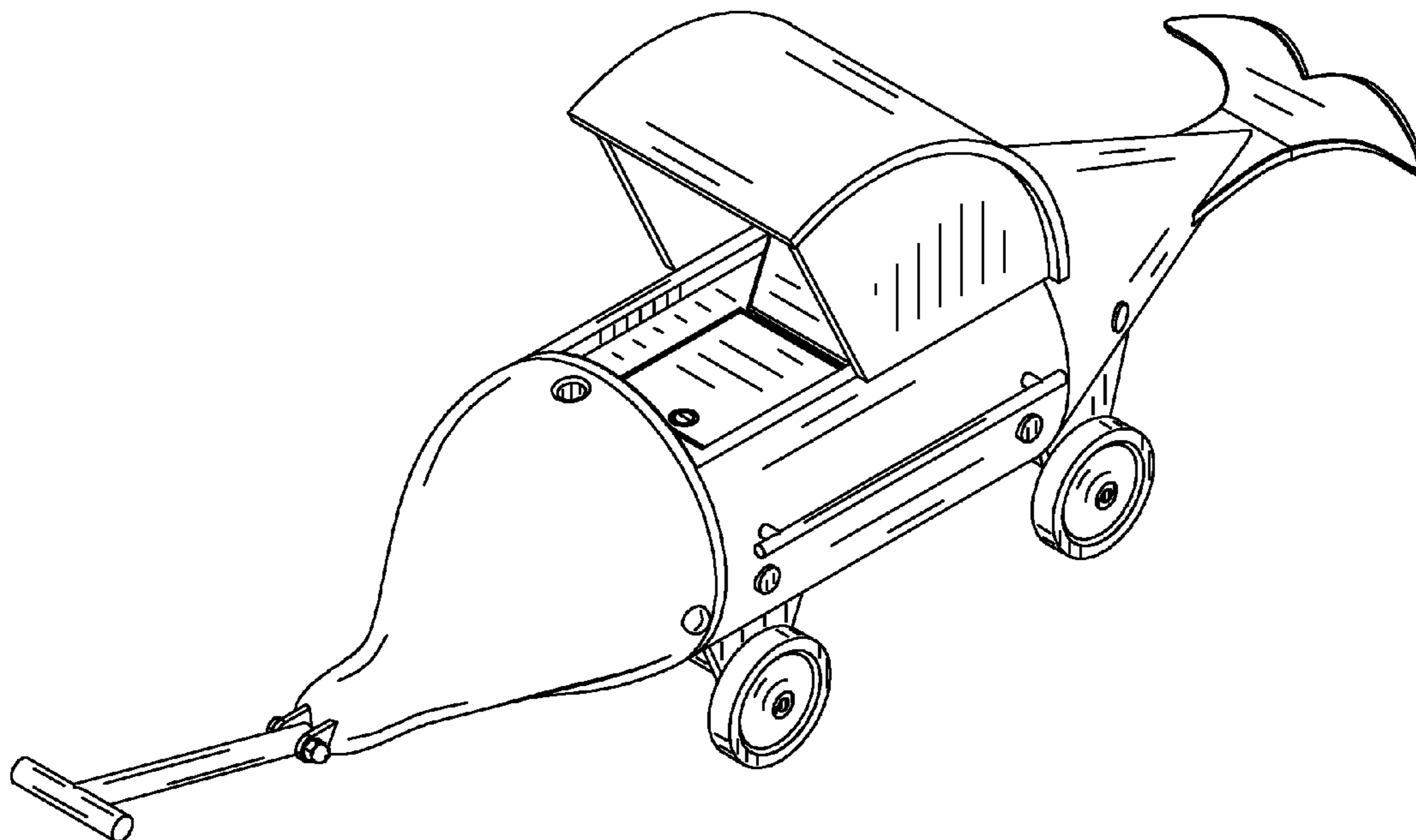
D57,067 S * 2/1921 Wood D21/428
2,026,235 A * 12/1935 Korte 280/87.01
D206,504 S * 12/1966 Winters D21/599
D244,047 S * 4/1977 Daverin et al. D21/428
D292,603 S * 11/1987 Shinn-Hsiung D21/599
D456,464 S * 4/2002 Nagasawa D21/599

FIG. 10 is a right side view thereof, of which the left side is a mirror image;

FIG. 11 is a top view thereof; and,

FIG. 12 is a bottom view thereof.

1 Claim, 8 Drawing Sheets



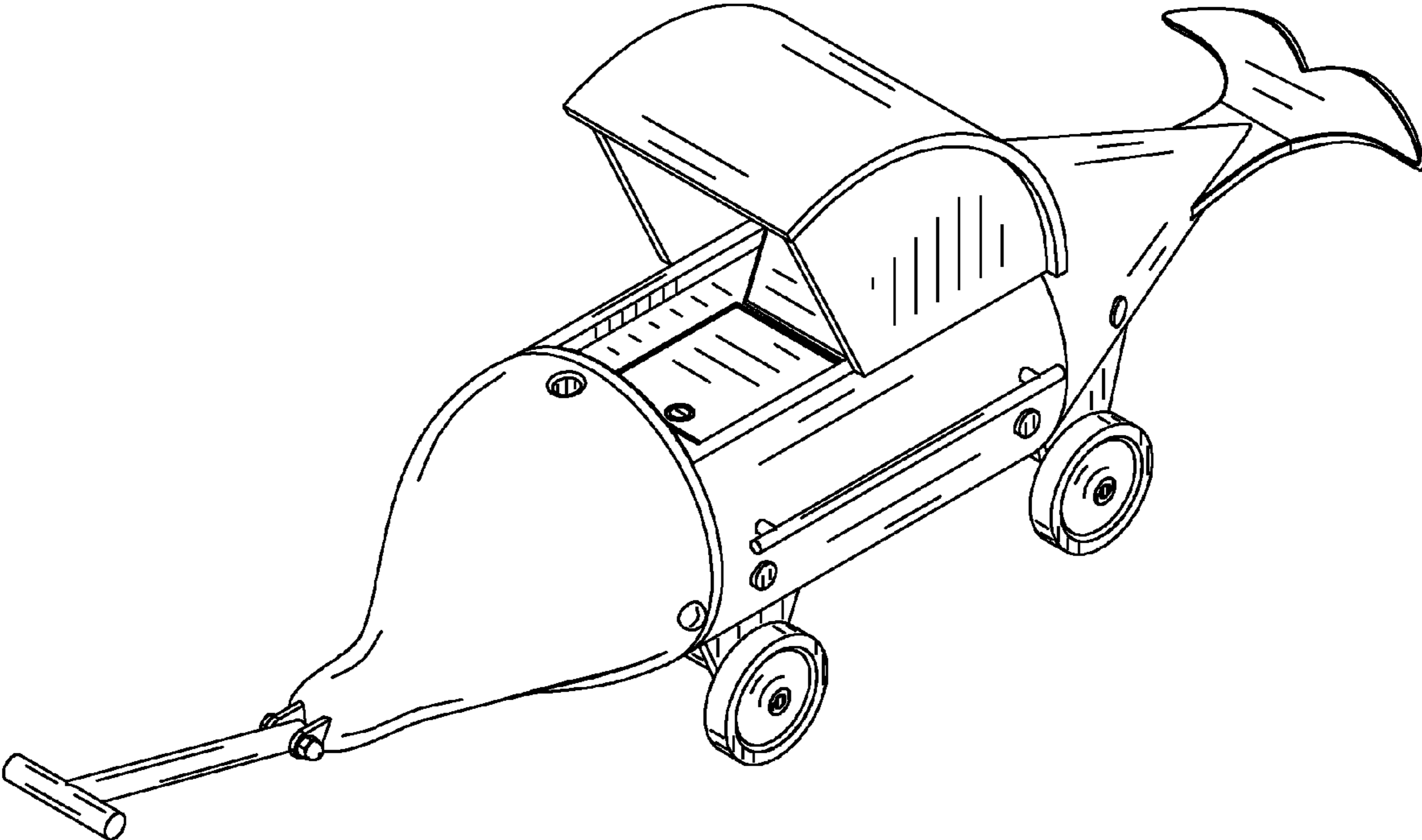


Fig. 1

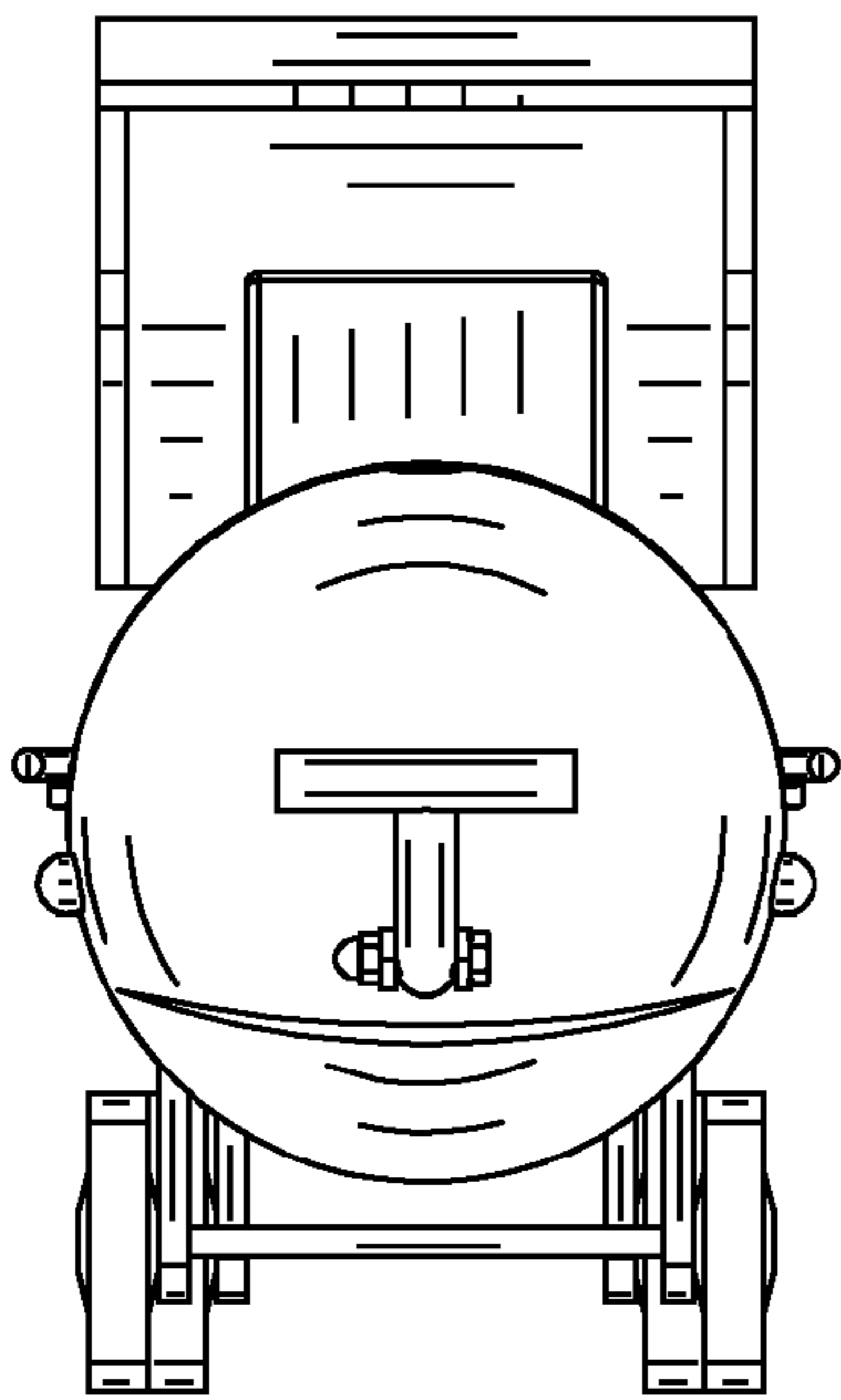


Fig. 2

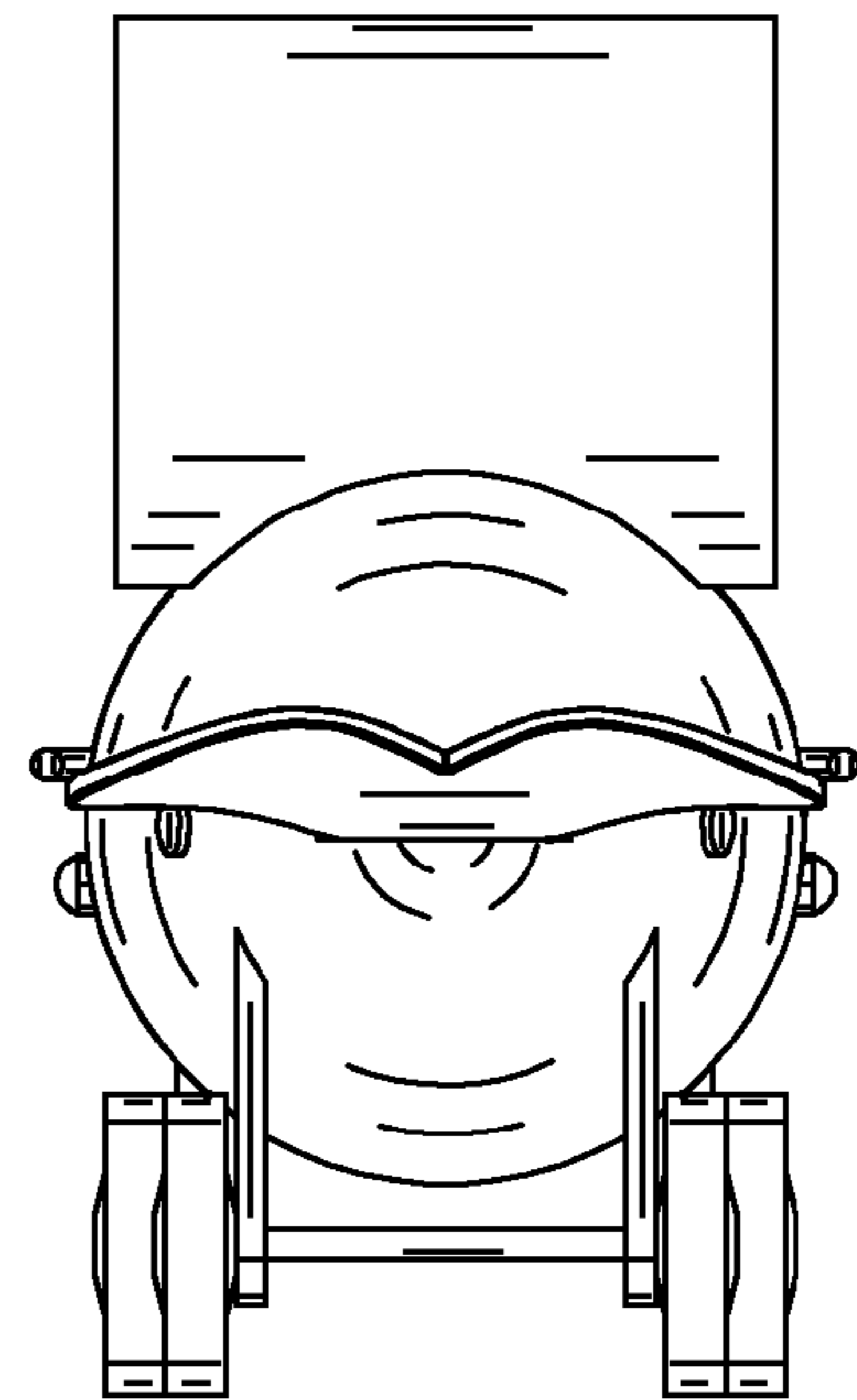


Fig. 3

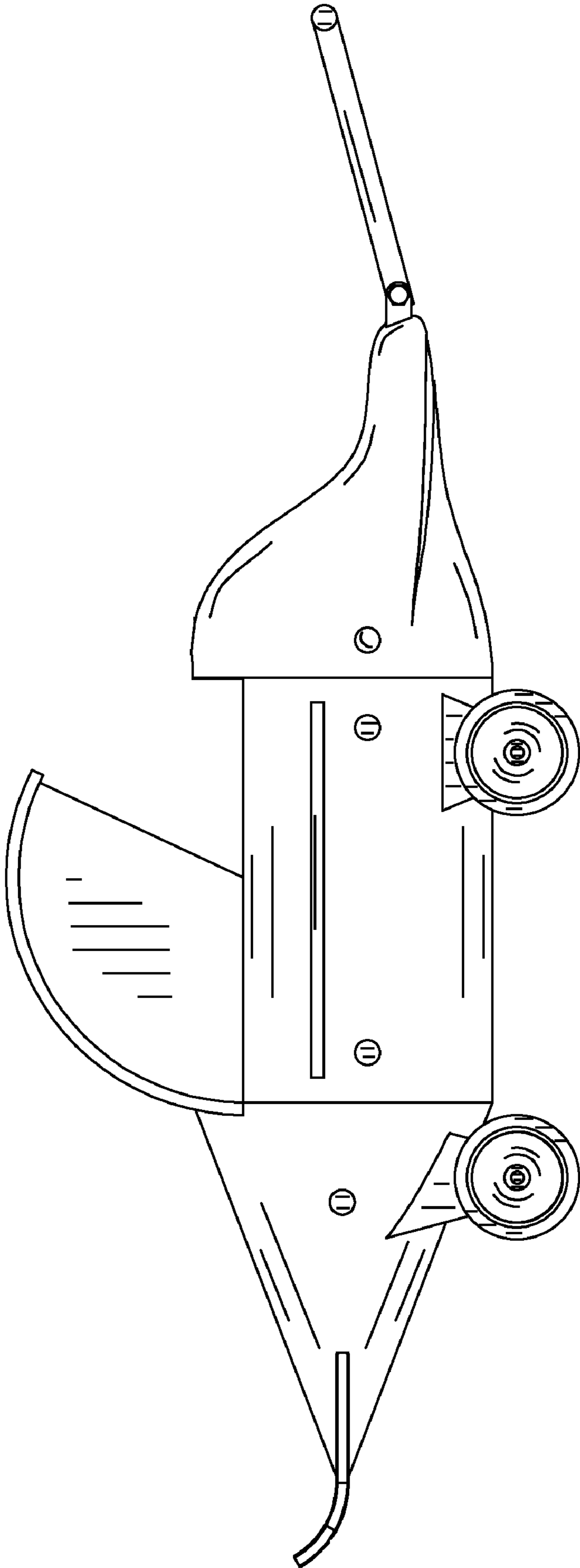


Fig. 4

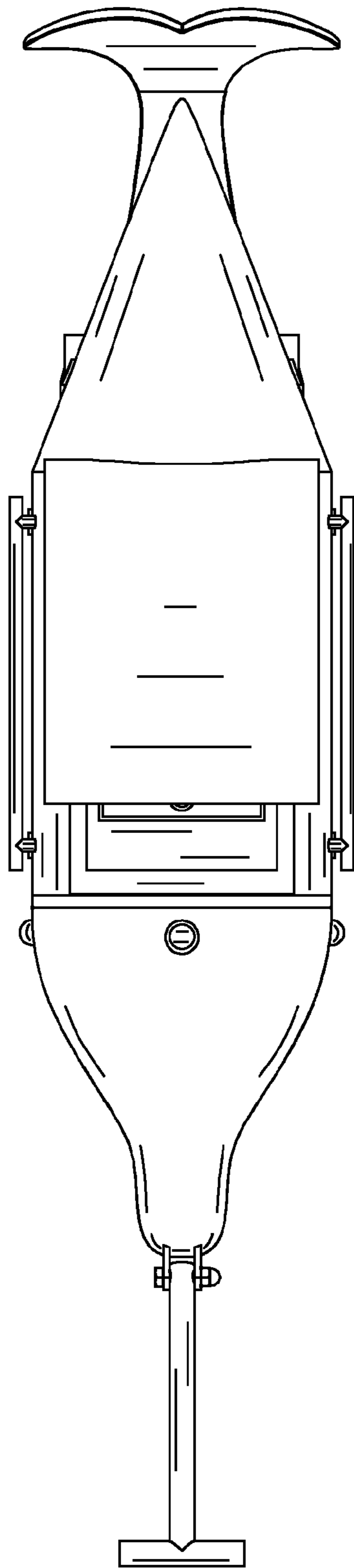


Fig. 5

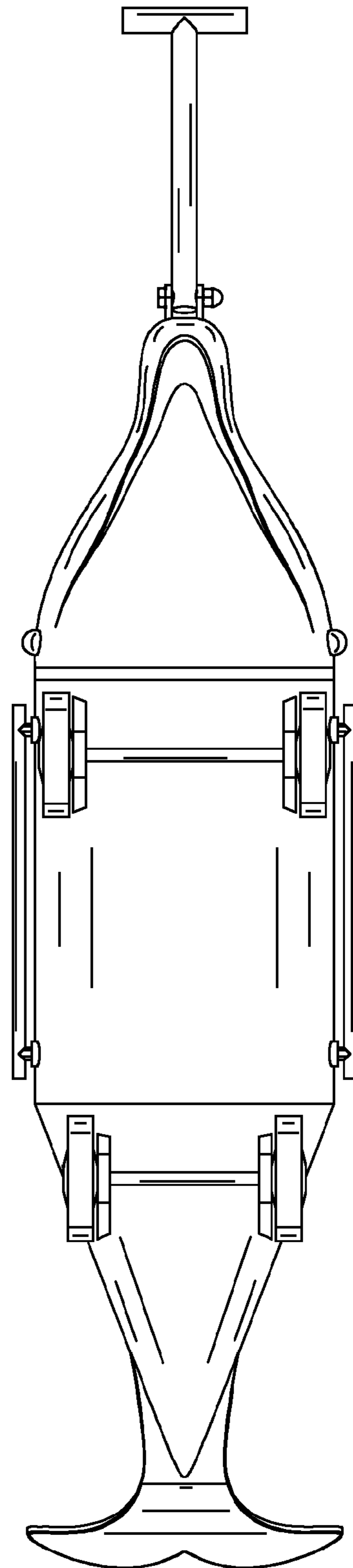


Fig. 6

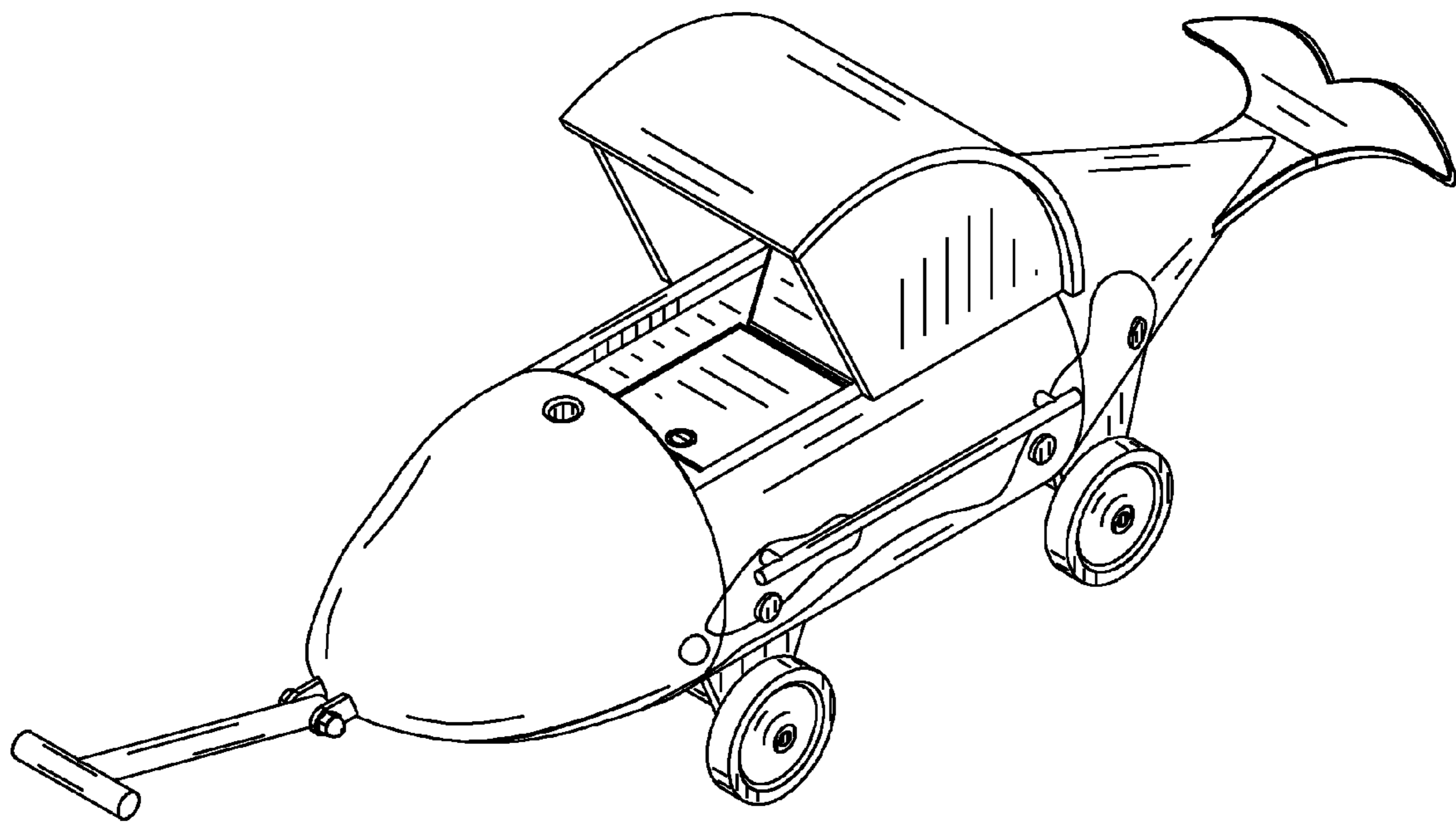


Fig. 7

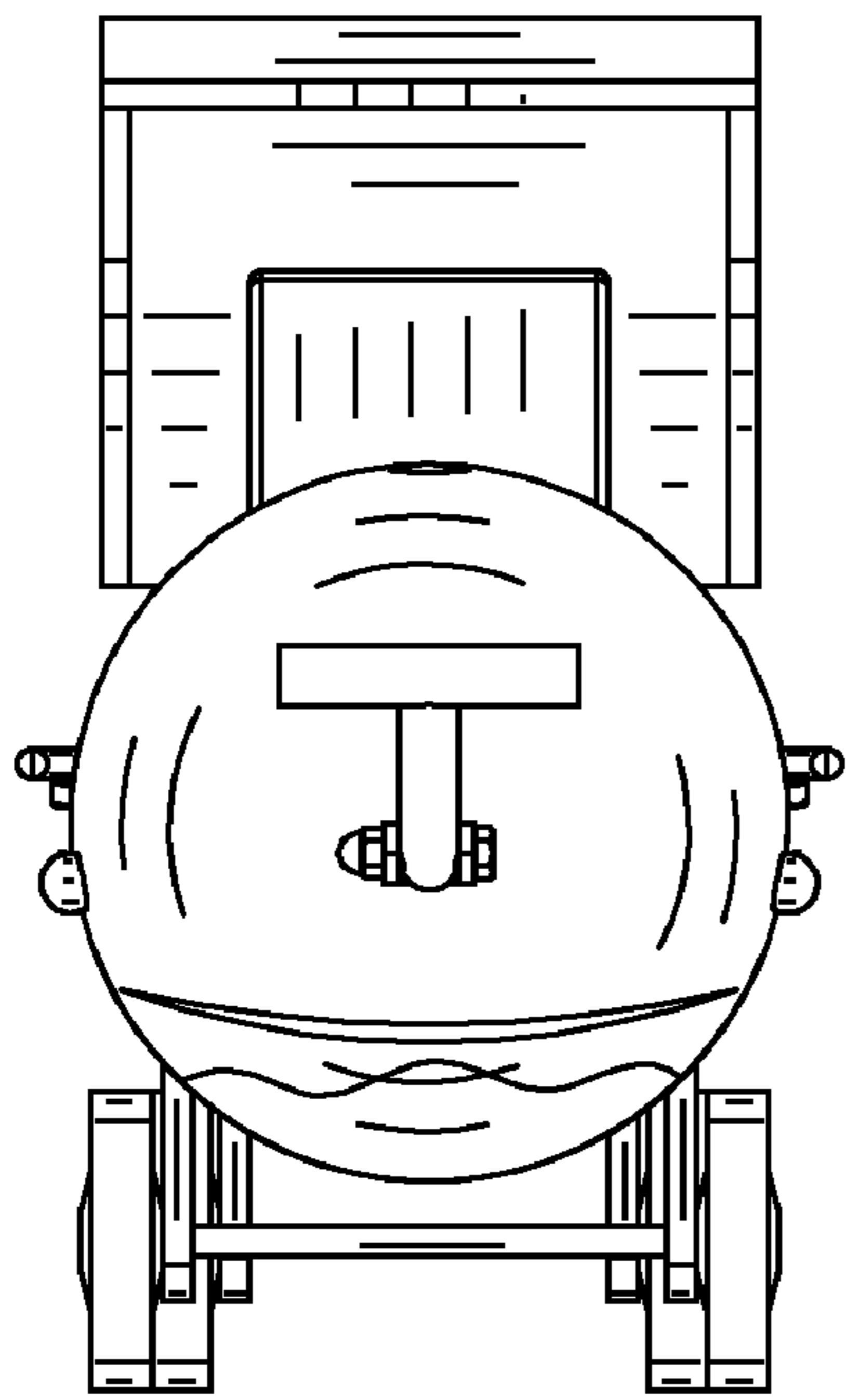


Fig. 8

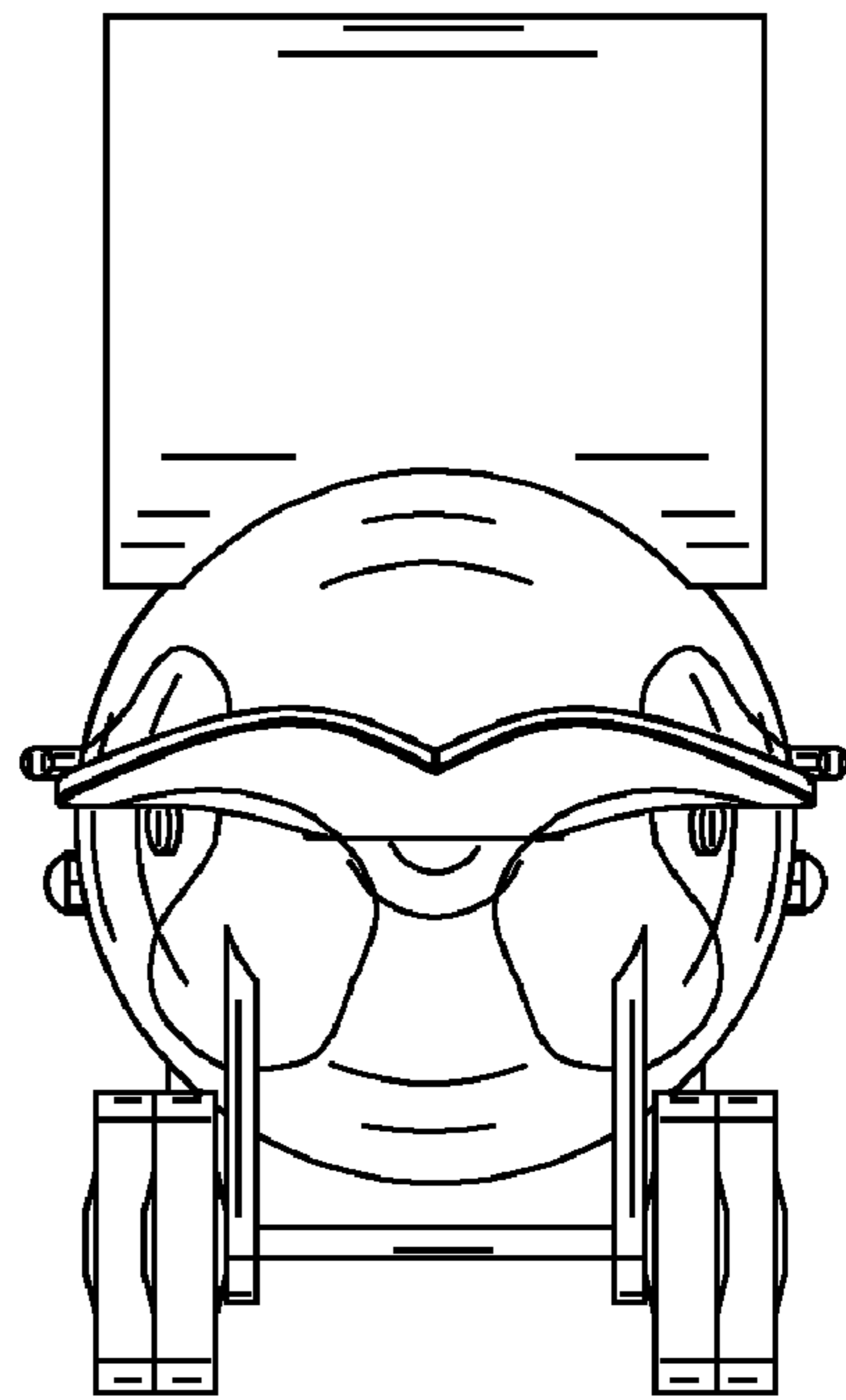


Fig. 9

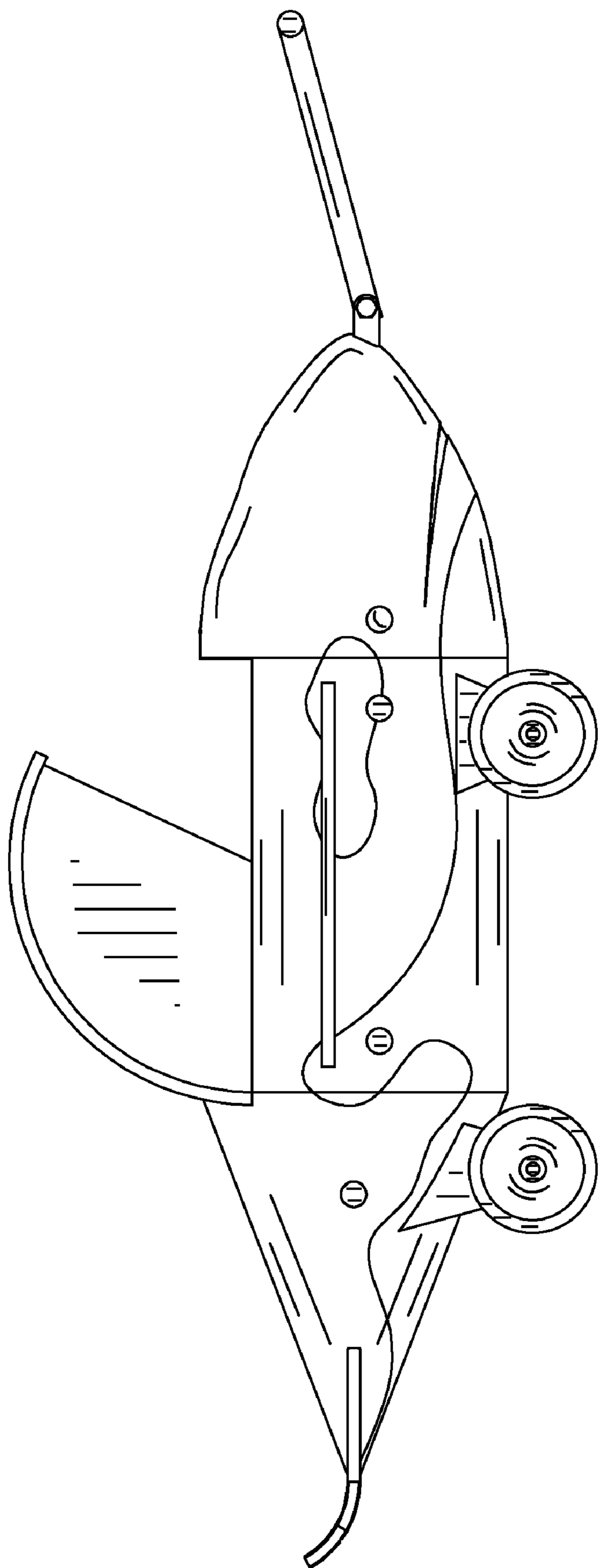


Fig. 10

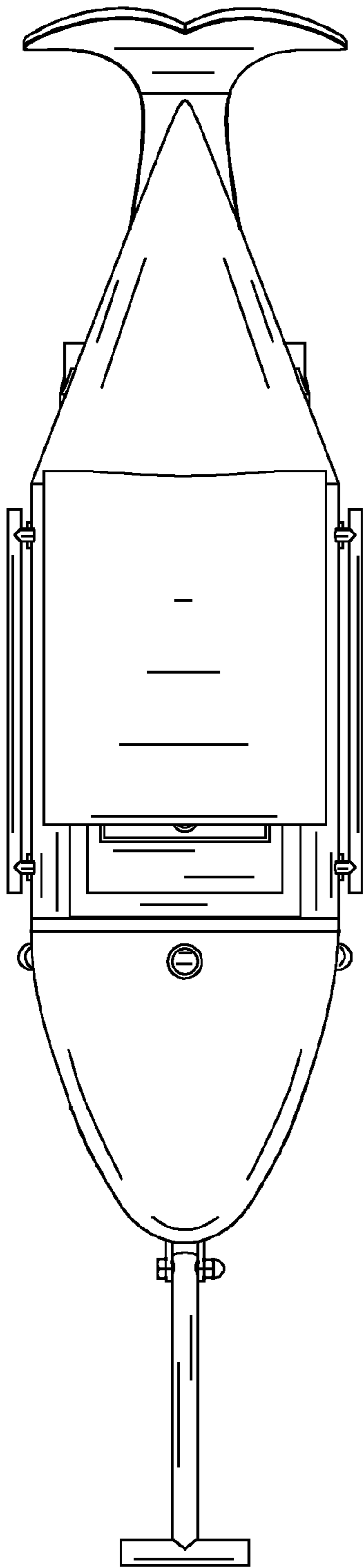


Fig. 11

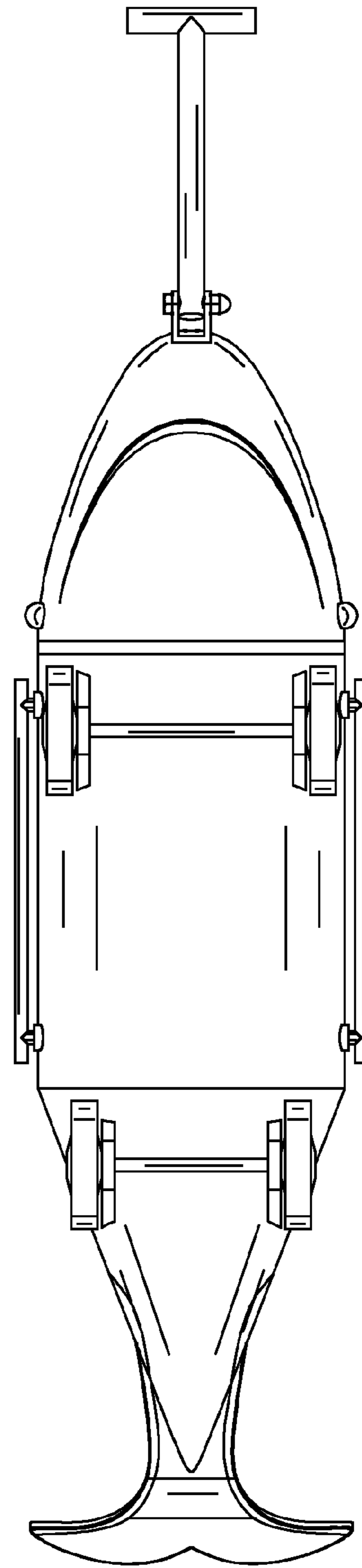


Fig. 12