



US00D617392S

(12) **United States Design Patent**  
**McLaughlin**

(10) **Patent No.:** **US D617,392 S**  
(45) **Date of Patent:** **\*\* Jun. 8, 2010**

(54) **RECREATIONAL KID'S MATE**

(75) Inventor: **Ronald J. McLaughlin**, Villa Rica, GA (US)

(73) Assignee: **McLaughlin Enterprise International, Inc.**, Atlanta, GA (US)

(\*\*) Term: **14 Years**

(21) Appl. No.: **29/346,868**

(22) Filed: **Nov. 6, 2009**

**Related U.S. Application Data**

(62) Division of application No. 29/312,559, filed on Oct. 30, 2008, now Pat. No. Des. 608,399.

(51) **LOC (9) Cl.** ..... **21-01**

(52) **U.S. Cl.** ..... **D21/427; D21/592; D21/599**

(58) **Field of Classification Search** ..... D21/425, D21/427-428, 576, 578, 584-585, 587-592, D21/595, 597-603; D22/136; 446/72, 97, 446/268-269, 369, 376, 451; 280/87.01, 280/87.021; D7/606

See application file for complete search history.

(56) **References Cited**

**U.S. PATENT DOCUMENTS**

D57,067 S \* 2/1921 Wood ..... D21/428  
2,026,235 A \* 12/1935 Korte ..... 280/87.01  
D244,047 S \* 4/1977 Daverin et al. .... D21/428

D292,603 S \* 11/1987 Shinn-Hsiung ..... D21/599  
D317,800 S \* 6/1991 Laursen ..... D21/599  
D330,575 S \* 10/1992 Kupperman ..... D21/599  
D333,854 S \* 3/1993 Kupperman ..... D21/599  
D334,955 S \* 4/1993 Kupperman ..... D21/599  
D364,660 S \* 11/1995 Rahbek ..... D21/597  
D415,898 S \* 11/1999 Haddad ..... D4/107  
D456,464 S \* 4/2002 Nagasawa ..... D21/599  
D483,419 S \* 12/2003 Chiappetta et al. .... D21/425  
D527,678 S \* 9/2006 Warner ..... D21/599

\* cited by examiner

*Primary Examiner*—Sandra Morris

(74) *Attorney, Agent, or Firm*—Bryan Cave LLP

(57) **CLAIM**

I claim the ornamental design for a recreational kid's mate, as shown and described.

**DESCRIPTION**

FIG. 1 is a perspective view of the recreational kid's mate, showing my new design;

FIG. 2 is a front view thereof;

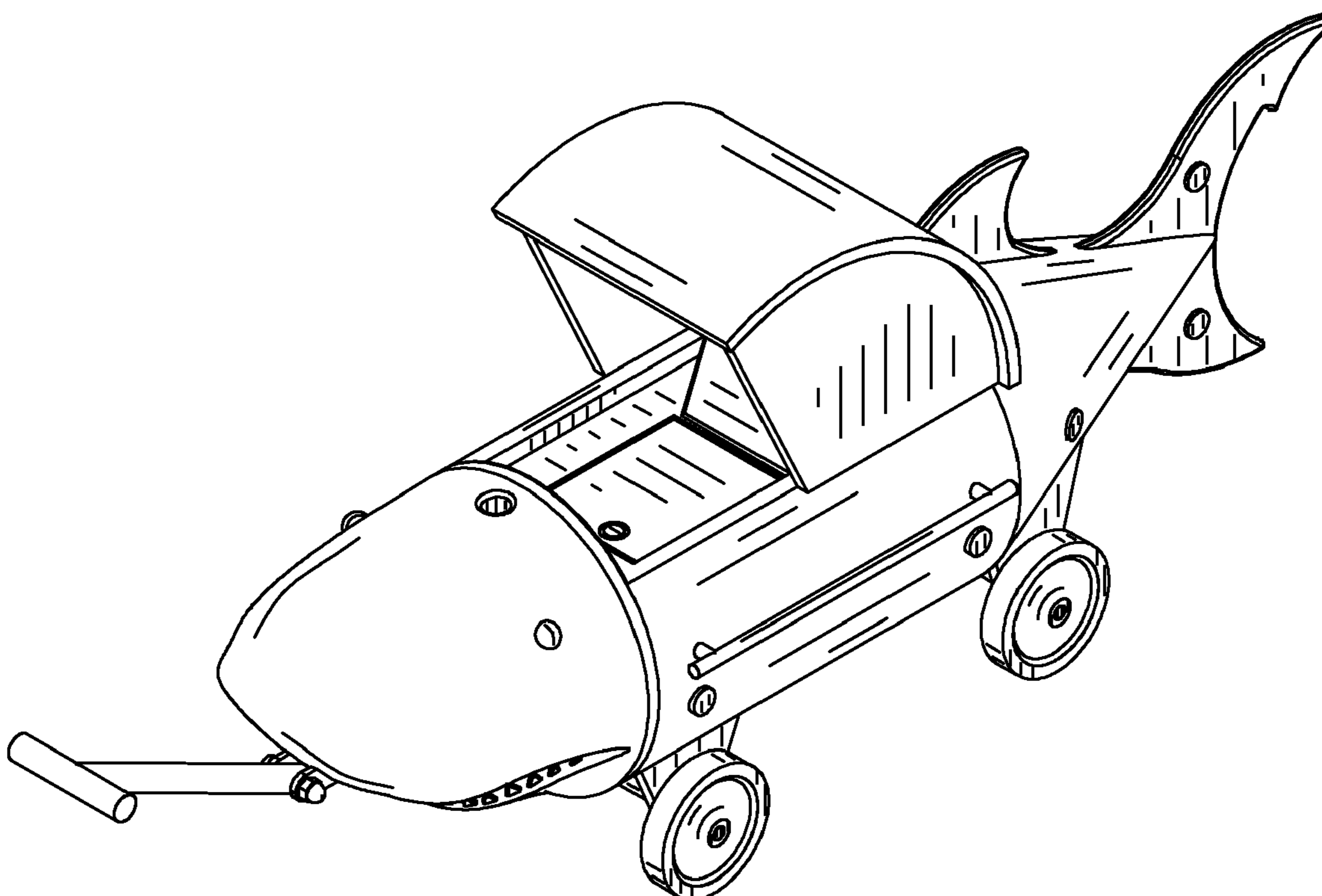
FIG. 3 is a rear view thereof;

FIG. 4 is a right side view thereof, of which the left side is a mirror image;

FIG. 5 is a top view thereof; and,

FIG. 6 is a bottom view thereof.

**1 Claim, 4 Drawing Sheets**



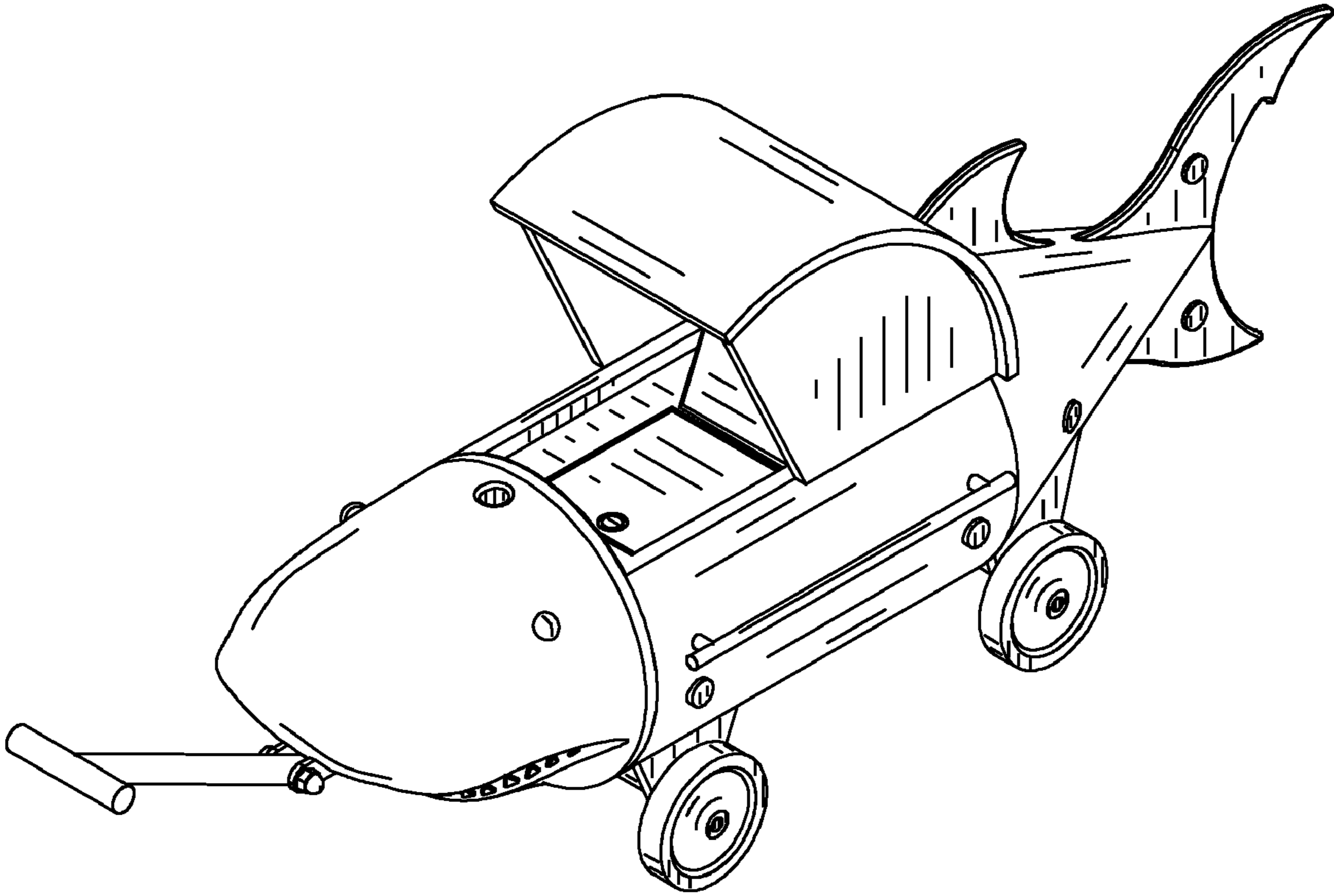


Fig. 1

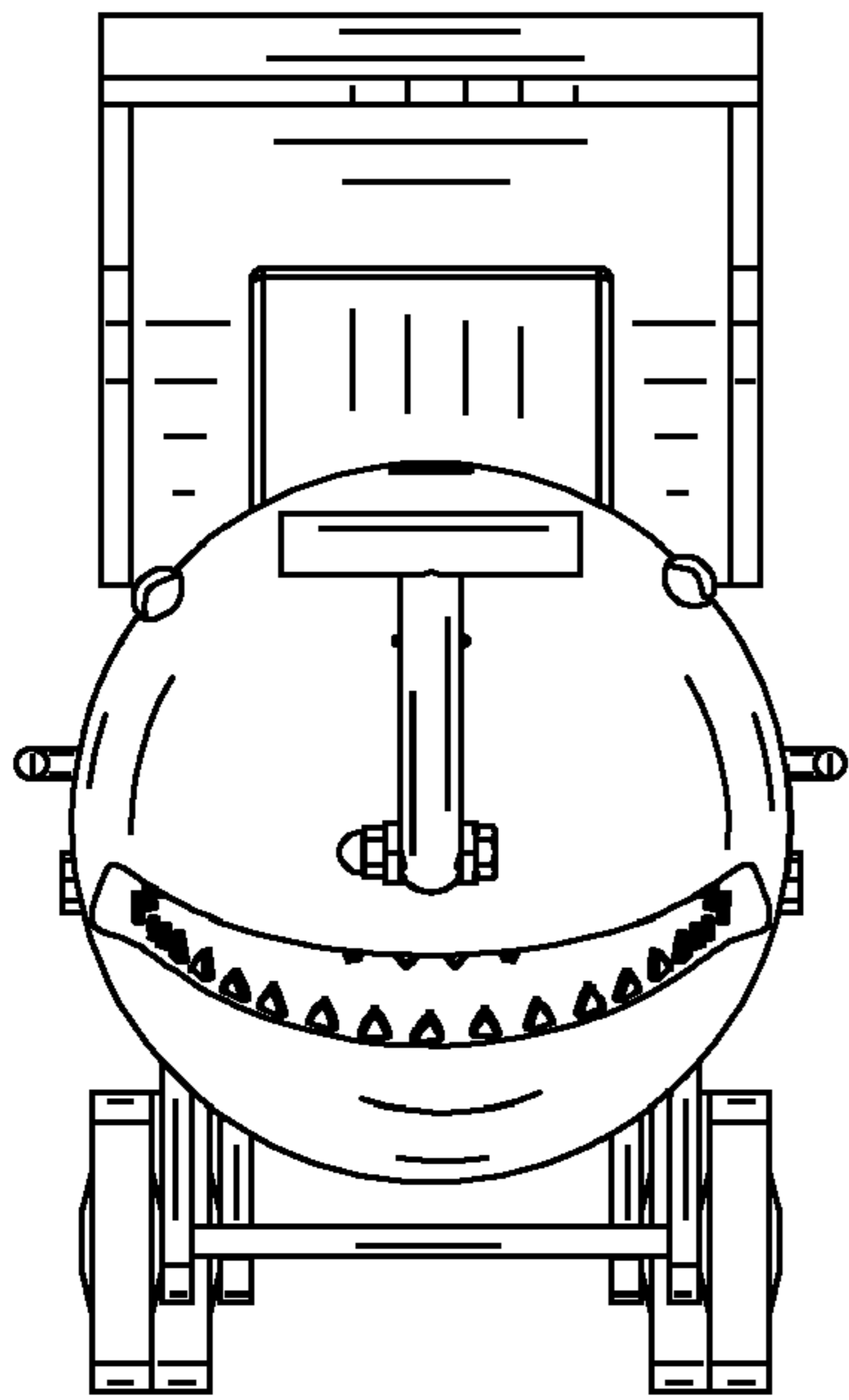


Fig. 2

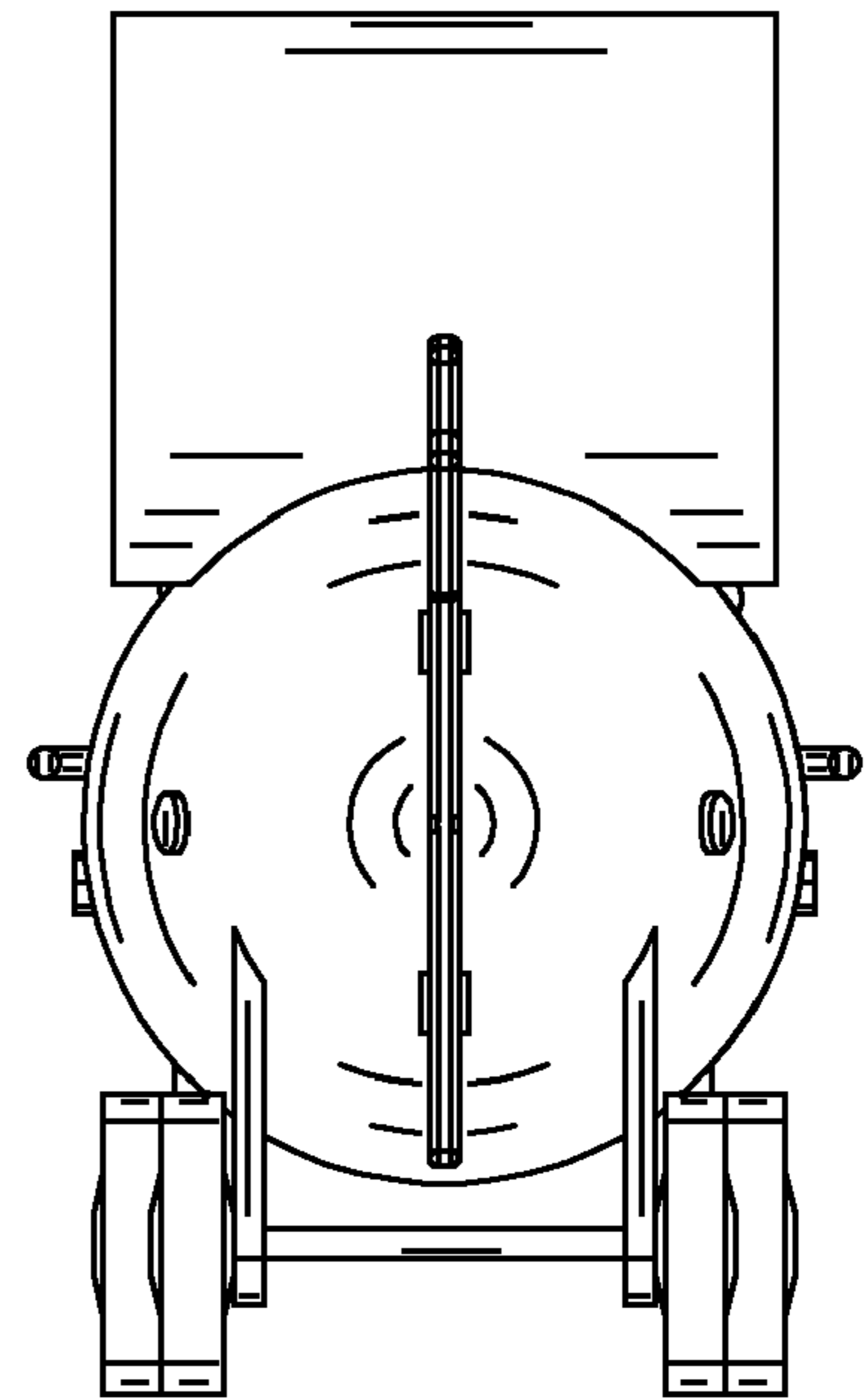


Fig. 3

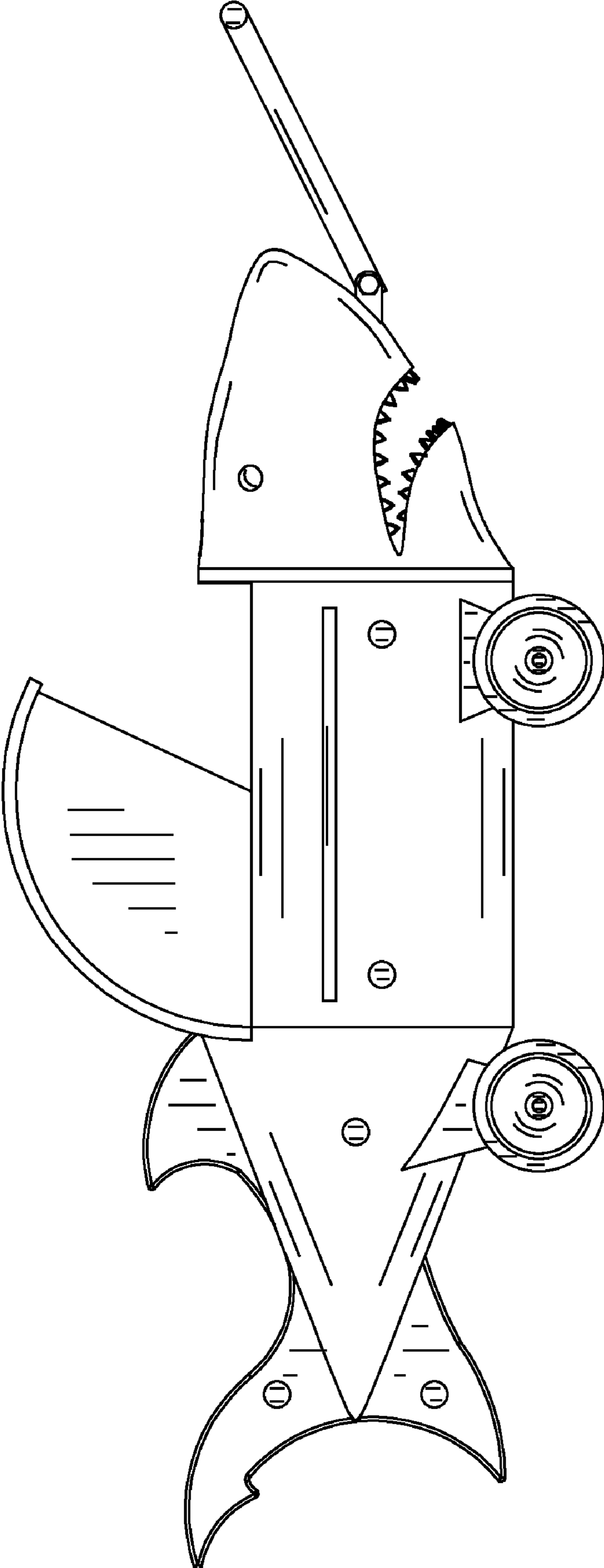


Fig. 4

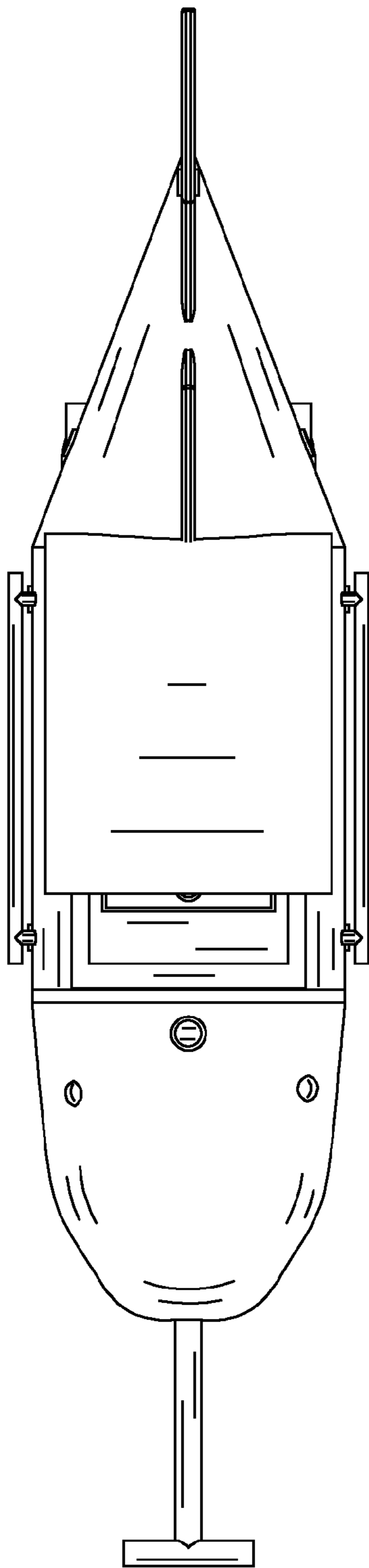


Fig. 5

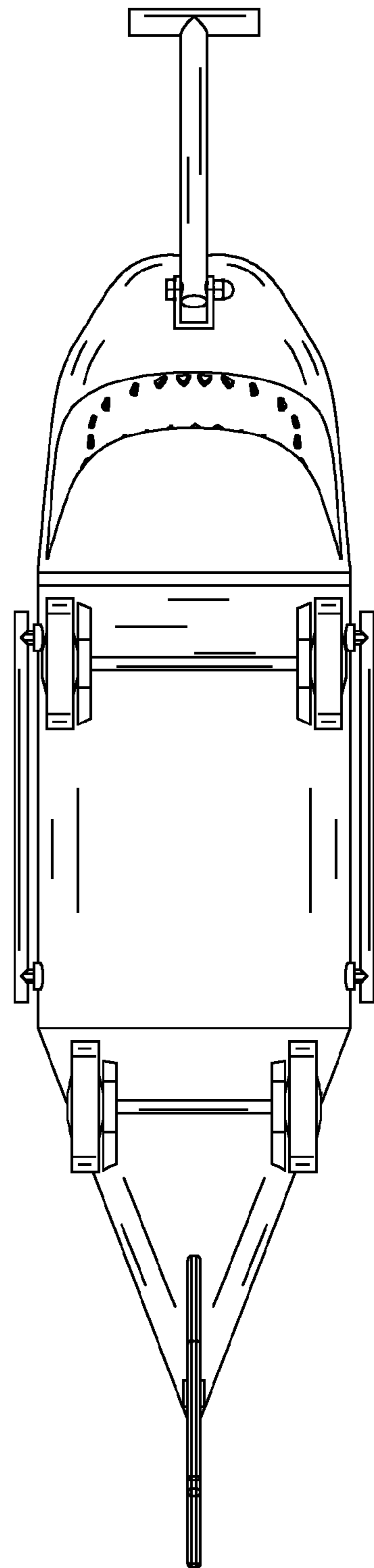


Fig. 6