



US00D617391S

(12) **United States Design Patent**
Liu

(10) **Patent No.:** **US D617,391 S**
(45) **Date of Patent:** **** Jun. 8, 2010**

(54) **TOY**
(75) Inventor: **Lai Hung Liu**, Kowloon (HK)
(73) Assignee: **Maple Toys International Limited**,
Kowloon (HK)
(**) Term: **14 Years**
(21) Appl. No.: **29/299,082**
(22) Filed: **Dec. 19, 2007**
(30) **Foreign Application Priority Data**
Jun. 20, 2007 (EM) 000745328-0002

(51) **LOC (9) Cl.** **21-01**
(52) **U.S. Cl.** **D21/401; D21/398; D21/722**
(58) **Field of Classification Search** D21/385,
D21/398, 401-466, 453, 468, 473, 483, 523,
D21/525, 526, 532, 567, 300, 301, 324, 333,
D21/722-732; D4/110, 114, 116, 134, 136-199;
D30/160; 446/15-21, 22, 71, 76, 81, 129-139,
446/140, 144, 175, 267, 397, 398, 404, 418-422,
446/472, 473, 475, 483, 484, 491; D22/122-124;
273/317, 359, 412, 440, 447, 459; 473/505-568
See application file for complete search history.

(56) **References Cited**
U.S. PATENT DOCUMENTS
761,048 A * 5/1904 Savoie 473/546
1,253,772 A * 1/1918 Bertucci 473/505
1,292,317 A * 1/1919 Holding 473/540

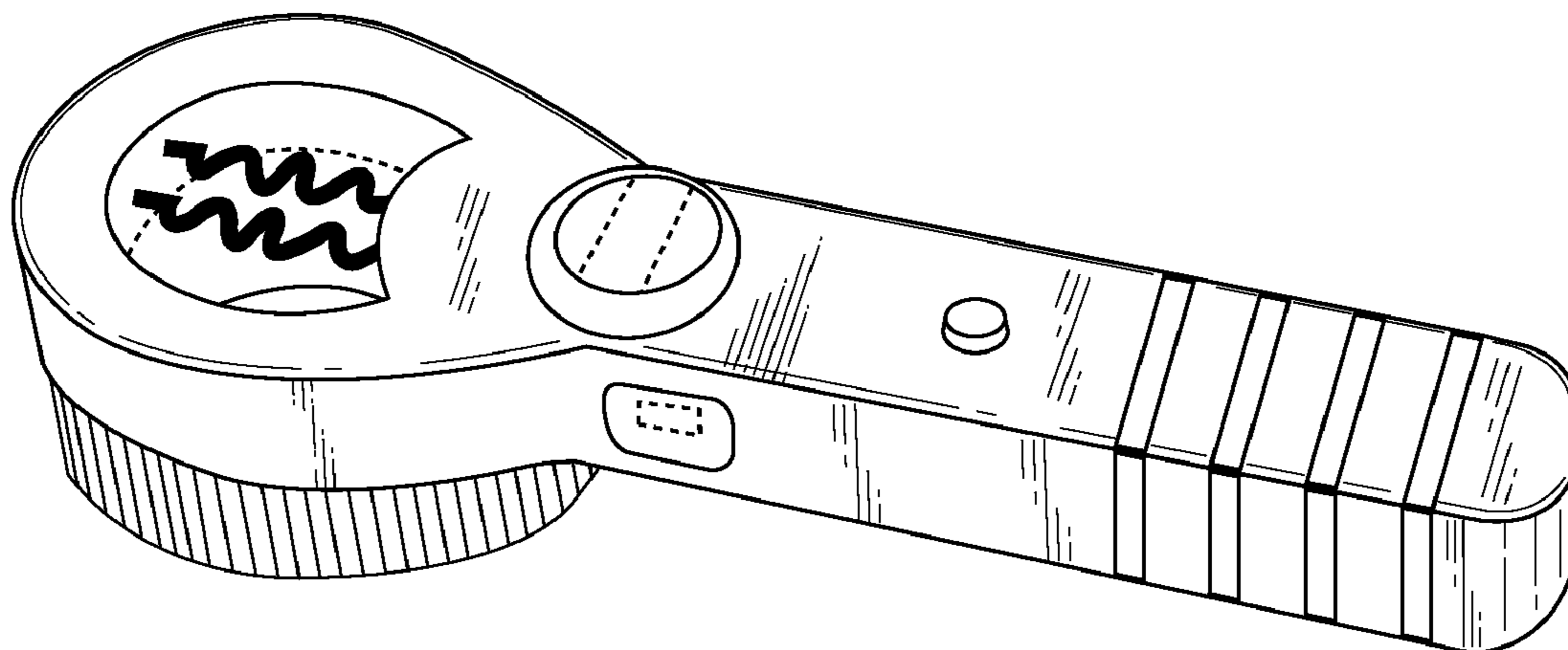
1,701,136 A * 2/1929 Aronson 446/22
2,606,396 A * 8/1952 Hill 446/18
2,940,216 A * 6/1960 Koch 446/133
D260,408 S * 8/1981 Ruffing D32/51
4,635,936 A * 1/1987 Becker et al. 473/528
D378,389 S * 3/1997 Manu D21/731
D419,611 S * 1/2000 Bao D21/401
6,439,944 B1 * 8/2002 La Fata 446/15
D539,369 S * 3/2007 Makowsky D21/729
2007/0238386 A1 * 10/2007 Schramm 446/15

* cited by examiner
Primary Examiner—Catherine Tuttle
(74) *Attorney, Agent, or Firm*—Rabin & Berdo, P.C.

(57) **CLAIM**
The ornamental design for the toy, as shown and described.

DESCRIPTION
FIG. 1 is a perspective view of a toy showing my new design;
FIG. 2 is a front view thereof;
FIG. 3 is a rear view thereof;
FIG. 4 is a left side view thereof;
FIG. 5 is a right side view thereof;
FIG. 6 is a top view thereof; and,
FIG. 7 is a bottom view thereof.
The broken line is included for the purpose of illustrating an inner surface feature of the toy that forms no part of the claimed design.

1 Claim, 4 Drawing Sheets



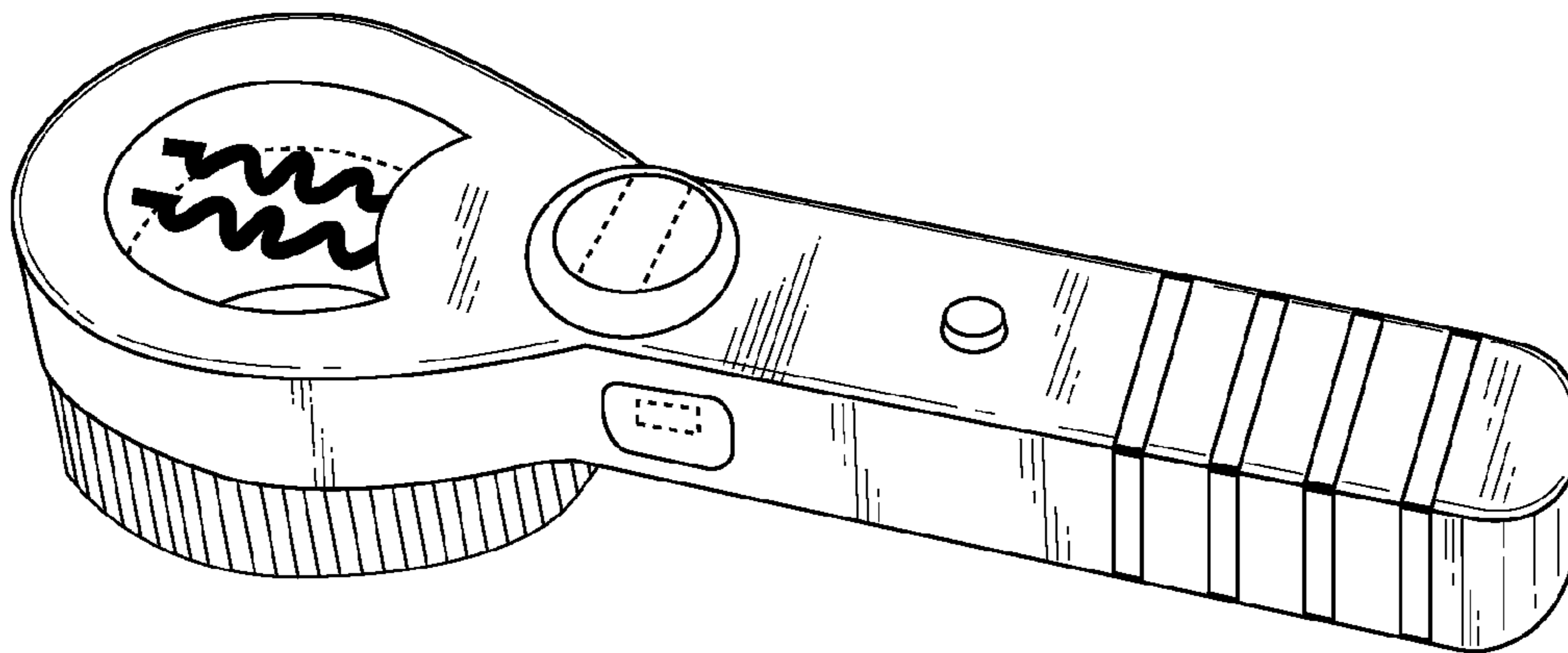


Fig. 1

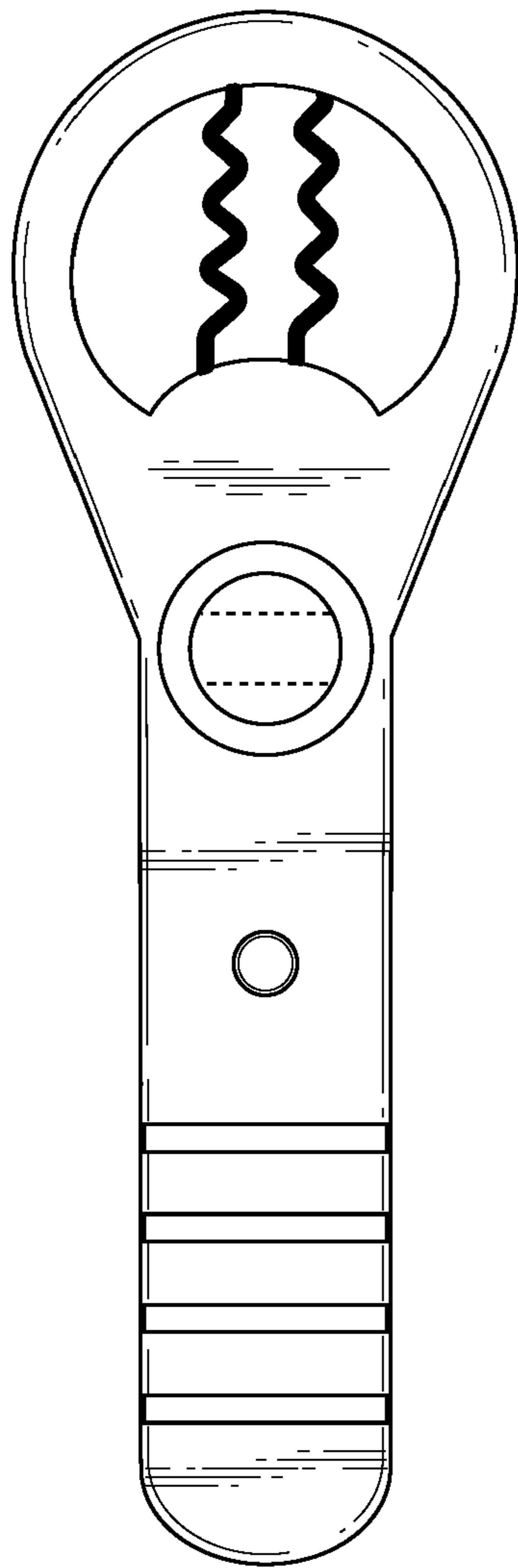


Fig. 2

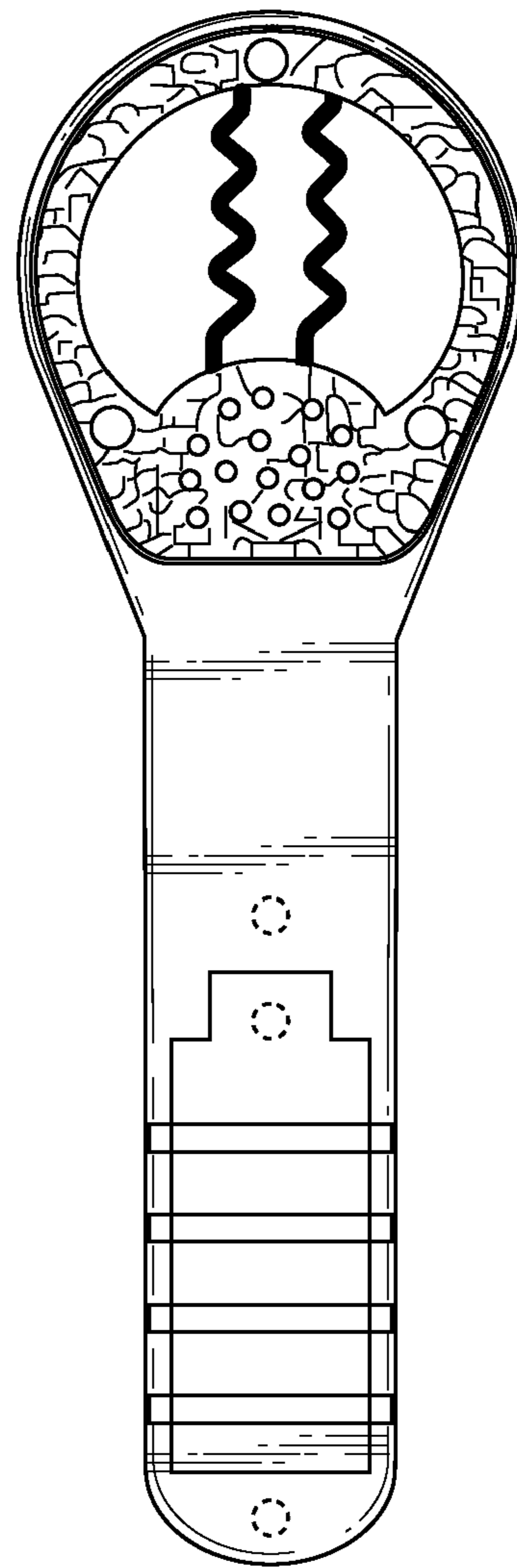


Fig. 3

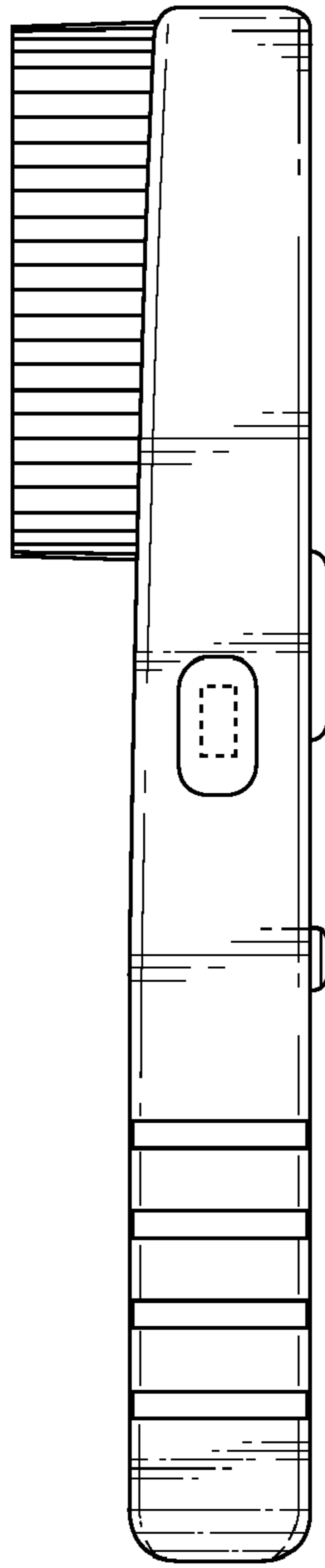


Fig. 4

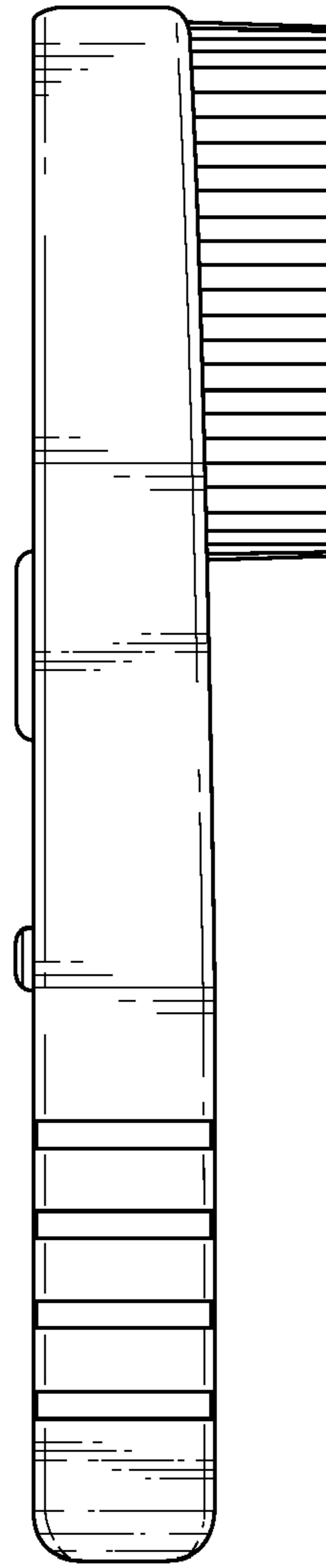


Fig. 5

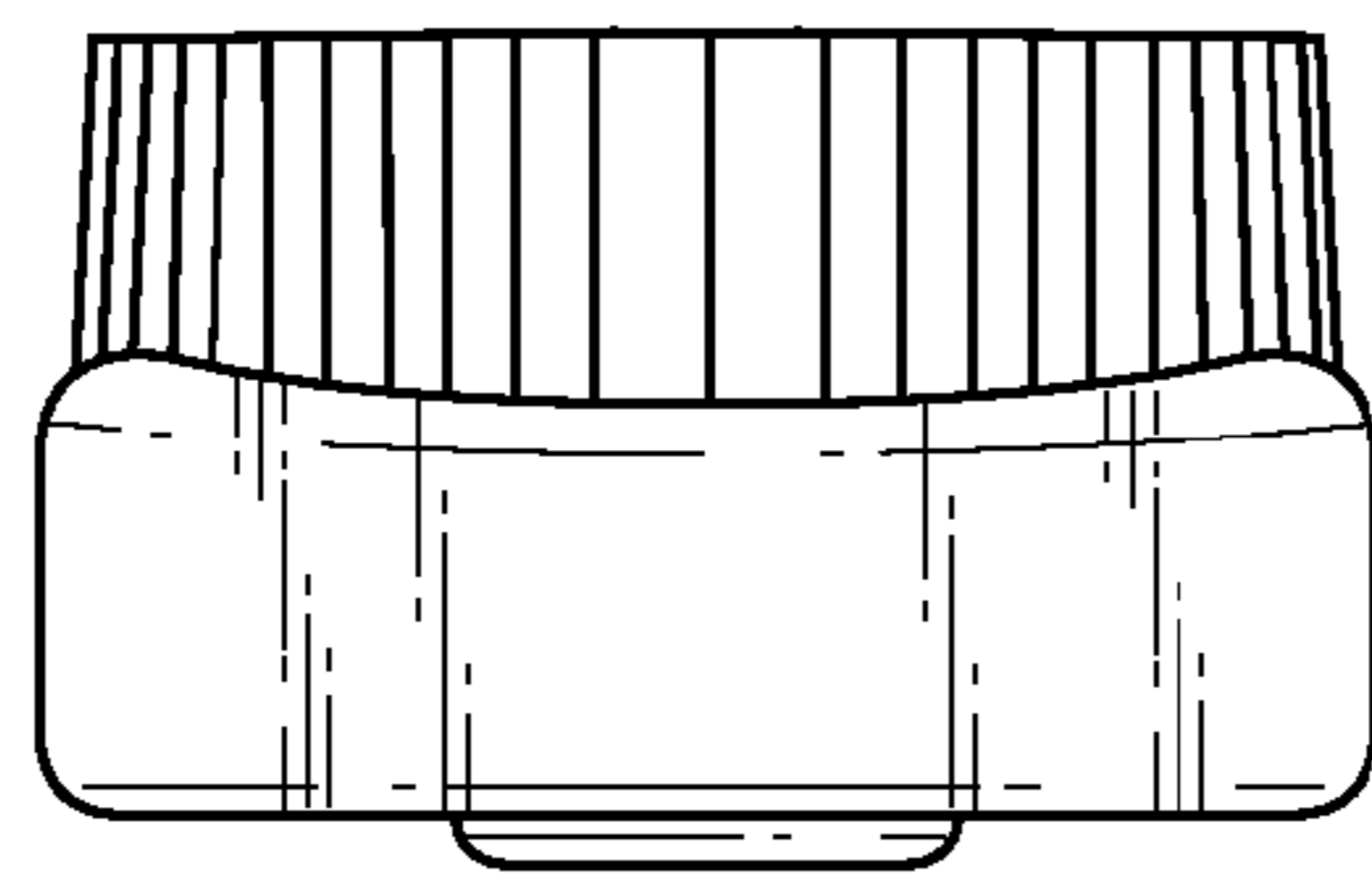


Fig. 6

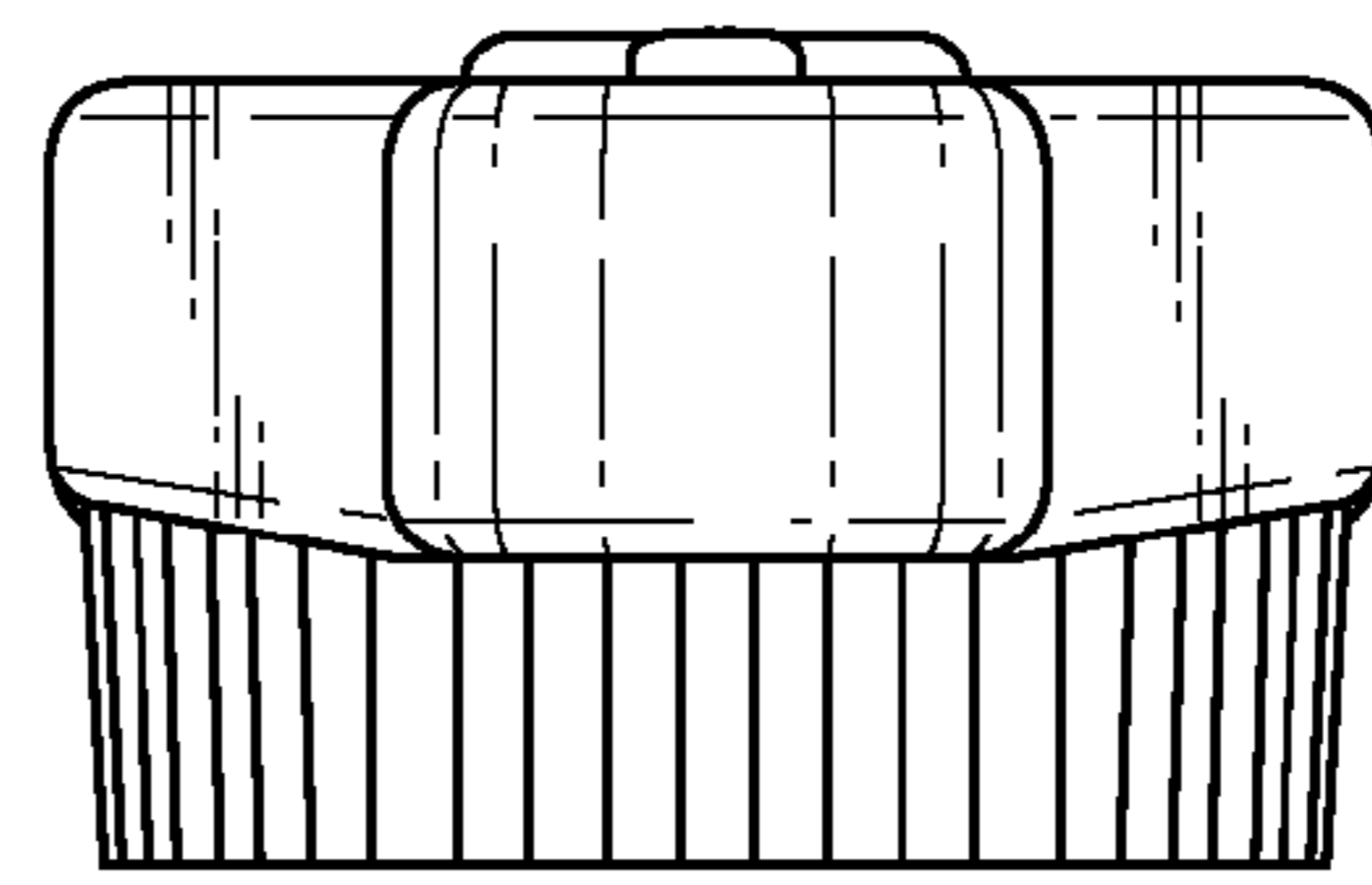


Fig. 7