



US00D617390S

(12) **United States Design Patent**
Mariano

(10) **Patent No.:** **US D617,390 S**
(45) **Date of Patent:** **** Jun. 8, 2010**

(54) **CIRCULAR RANDOM CARD SELECTION DEVICE**

(57) **CLAIM**

(76) **Inventor:** **Fernando R. Mariano**, 1350 Broadstone Pkwy., #3622, Folsom, CA (US) 95630

The ornamental design for a circular random card selection device, as shown and described.

(**) **Term:** **14 Years**

DESCRIPTION

(21) **Appl. No.:** **29/335,706**

(22) **Filed:** **Apr. 20, 2009**

(51) **LOC (9) Cl.** **21-01**

(52) **U.S. Cl.** **D21/375; D21/395**

(58) **Field of Classification Search** D21/369,
D21/374-375, 385, 392, 395-396; 273/142 R,
273/143 R, 148 R, 149 R

See application file for complete search history.

FIG. 1 is an exploded perspective view of the circular random card selection device, showing the present invention;

FIG. 2 is a top plan view of the card holder, shown separately for ease of illustration;

FIG. 3 is a bottom plan view thereof;

FIG. 4 is a front view, the rear being a mirror image thereof;

FIG. 5 is a side view, the opposite side being a mirror image thereof;

FIG. 6 is a top plan view of the cover, shown separately for ease of illustration;

FIG. 7 is a bottom plan view thereof;

FIG. 8 is a rear view thereof;

FIG. 9 is a left side view thereof;

FIG. 10 is a front view thereof;

FIG. 11 is a right side view thereof;

FIG. 12 is a perspective view of the card holder; and,

FIG. 13 is a perspective view of the entire device in use.

The broken lines are for illustrative purposes only and form no part of the claimed design.

(56) **References Cited**

U.S. PATENT DOCUMENTS

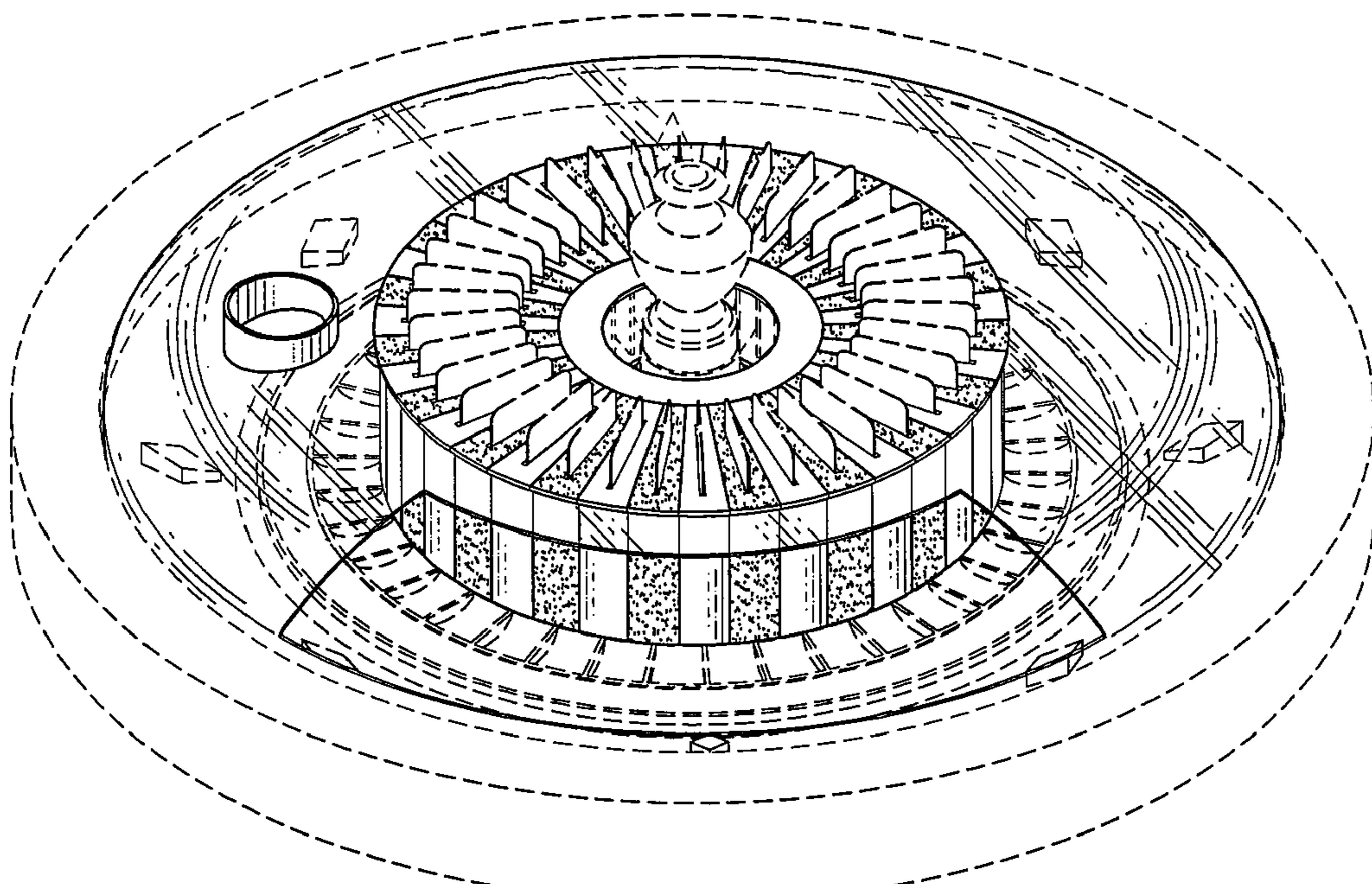
1,820,617	A *	8/1931	Holmberg	273/292
D184,675	S *	3/1959	Haynes	D21/375
3,841,637	A	10/1974	Piazza et al.		
3,936,054	A	2/1976	Garcia		
D245,193	S *	7/1977	Cooke et al.	D21/395
6,047,965	A *	4/2000	Mollo et al.	273/142 R
2007/0120320	A1 *	5/2007	Miltenberger et al.	...	273/143 R
2008/0073842	A1	3/2008	Jones		

* cited by examiner

Primary Examiner—Sandra Morris

(74) *Attorney, Agent, or Firm*—Costello Law Corp.; Pamela Bertani

1 Claim, 4 Drawing Sheets



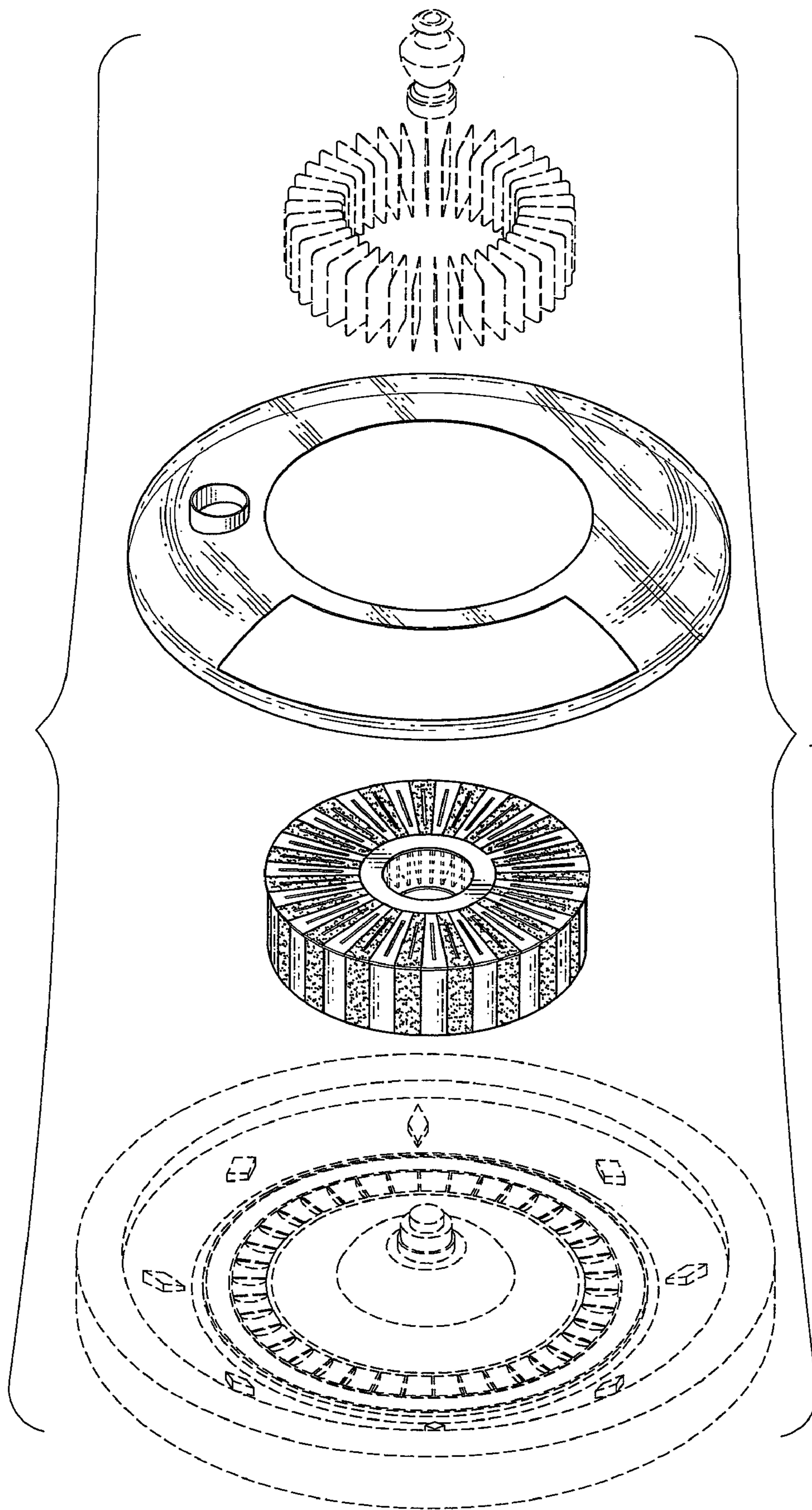


Fig. 1

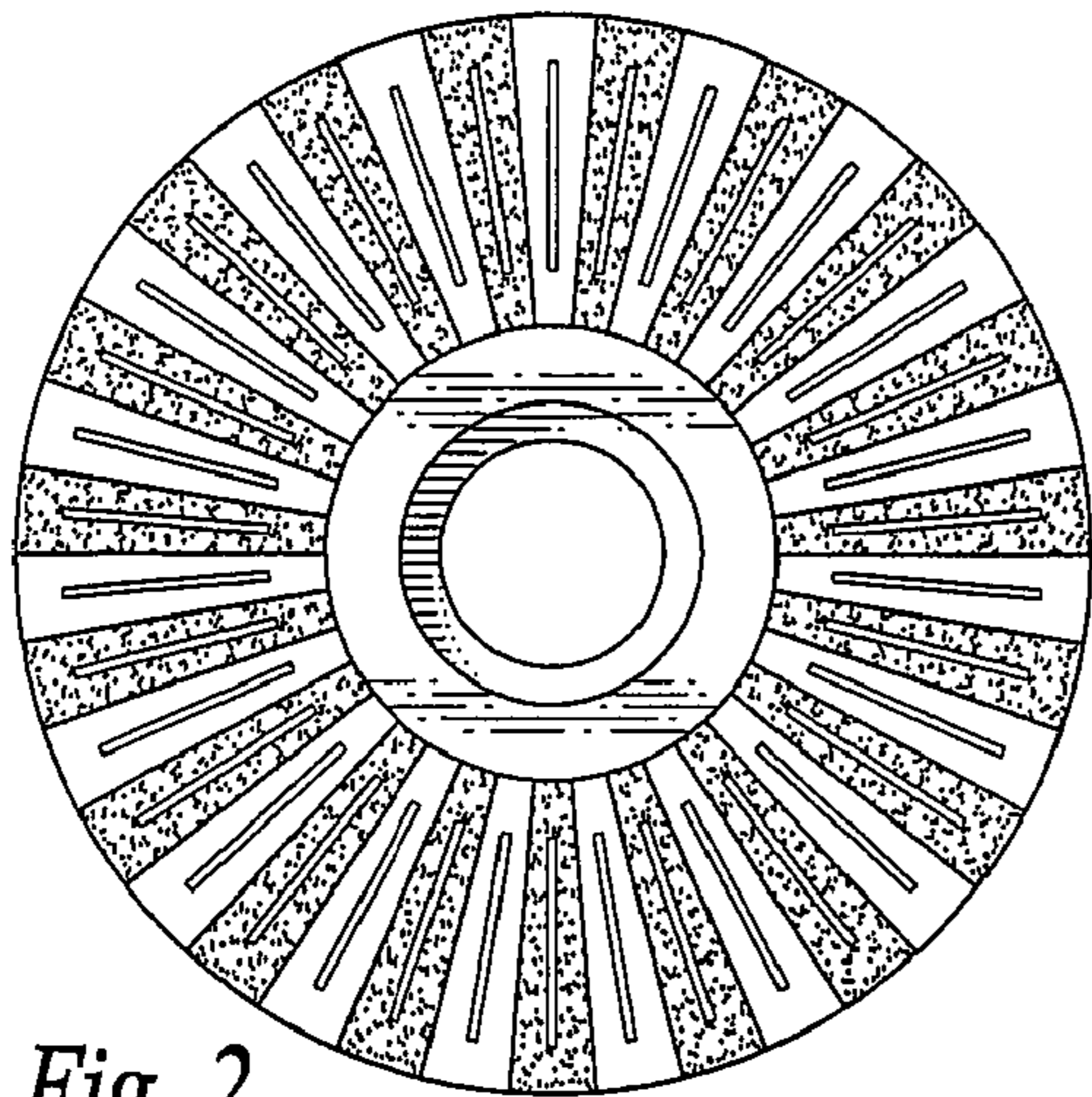


Fig. 2

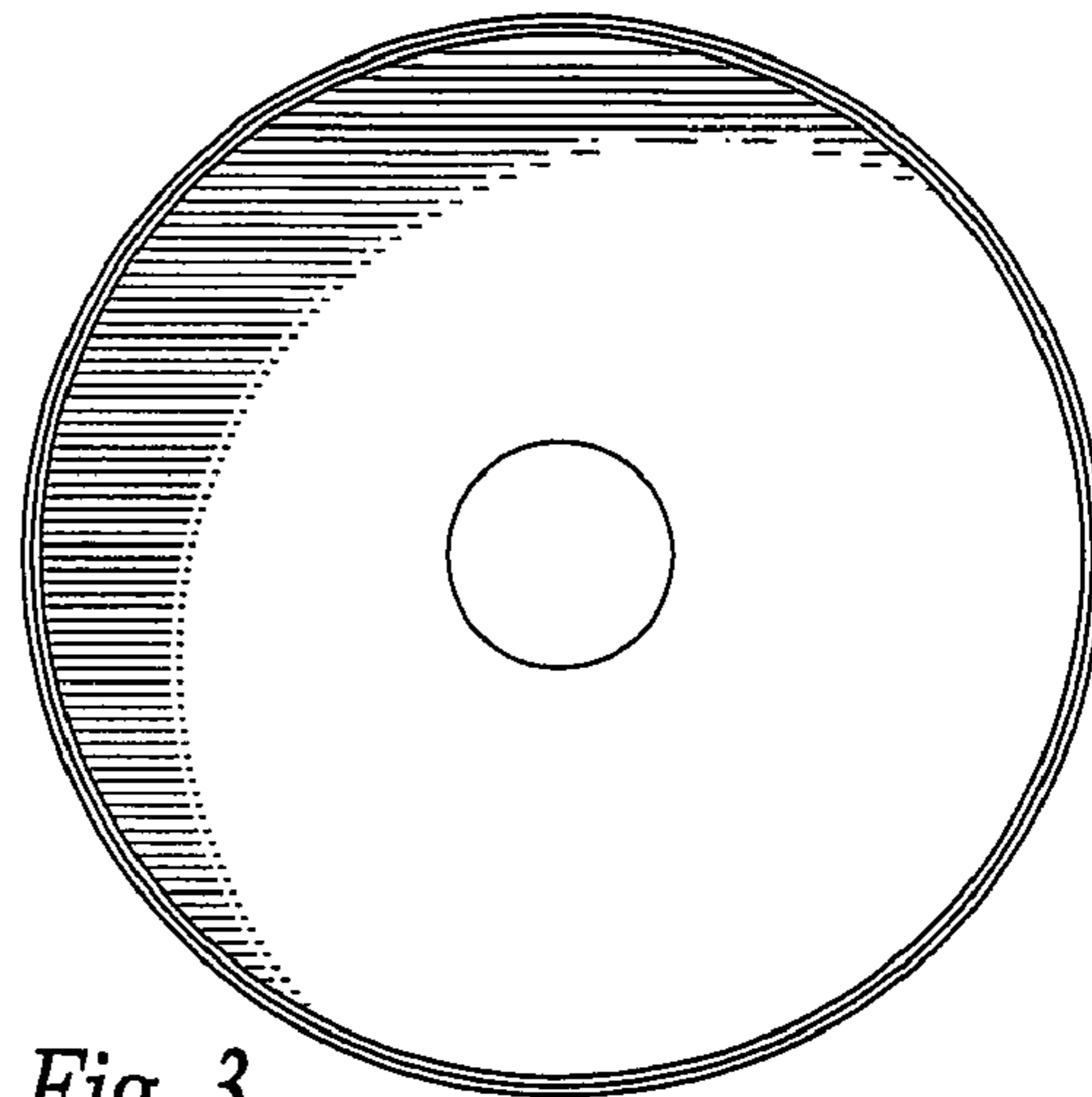


Fig. 3

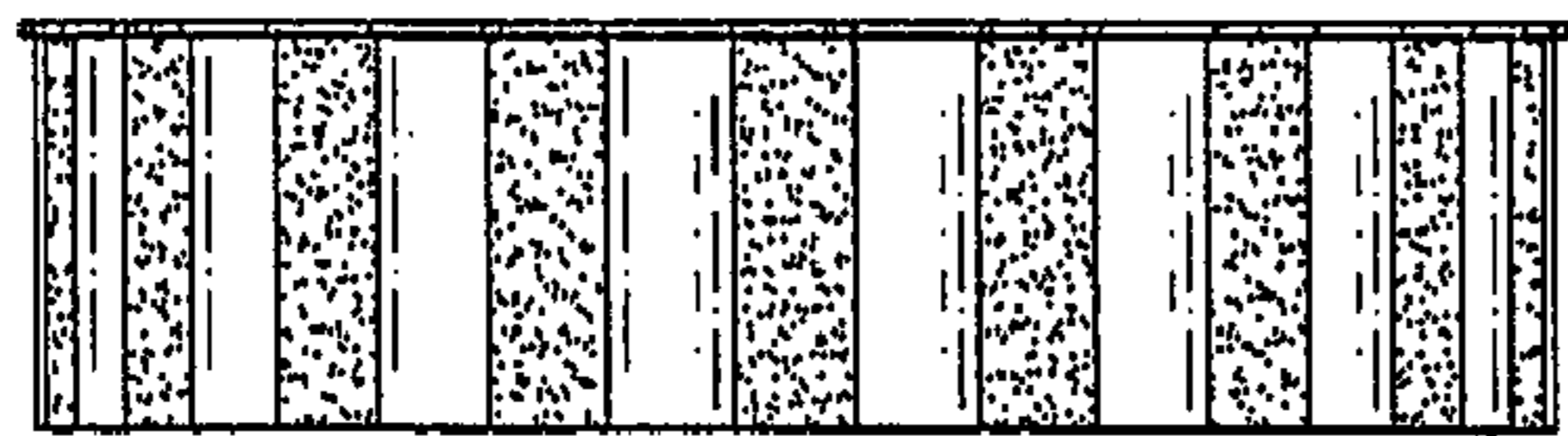


Fig. 4



Fig. 5

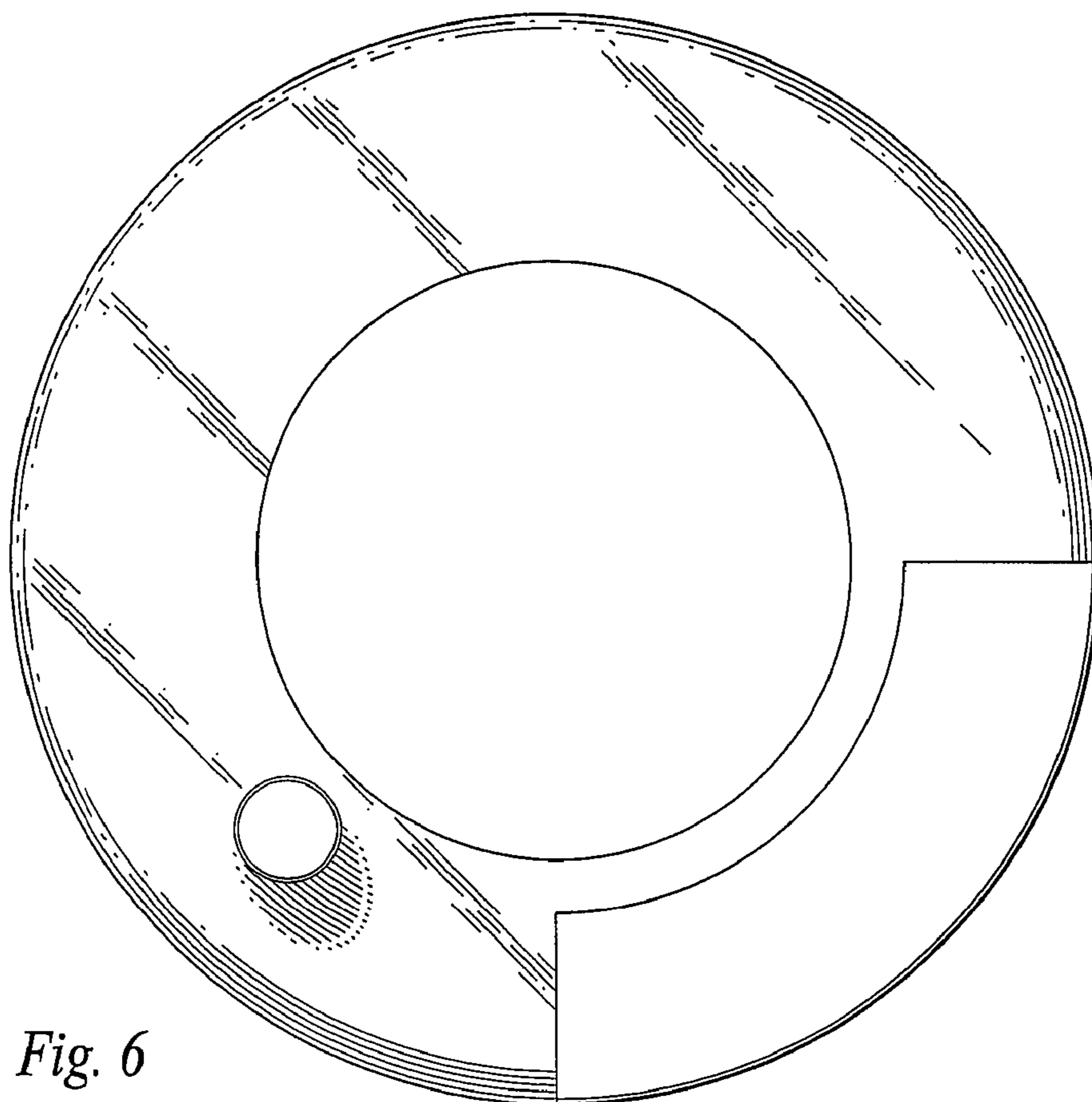


Fig. 6

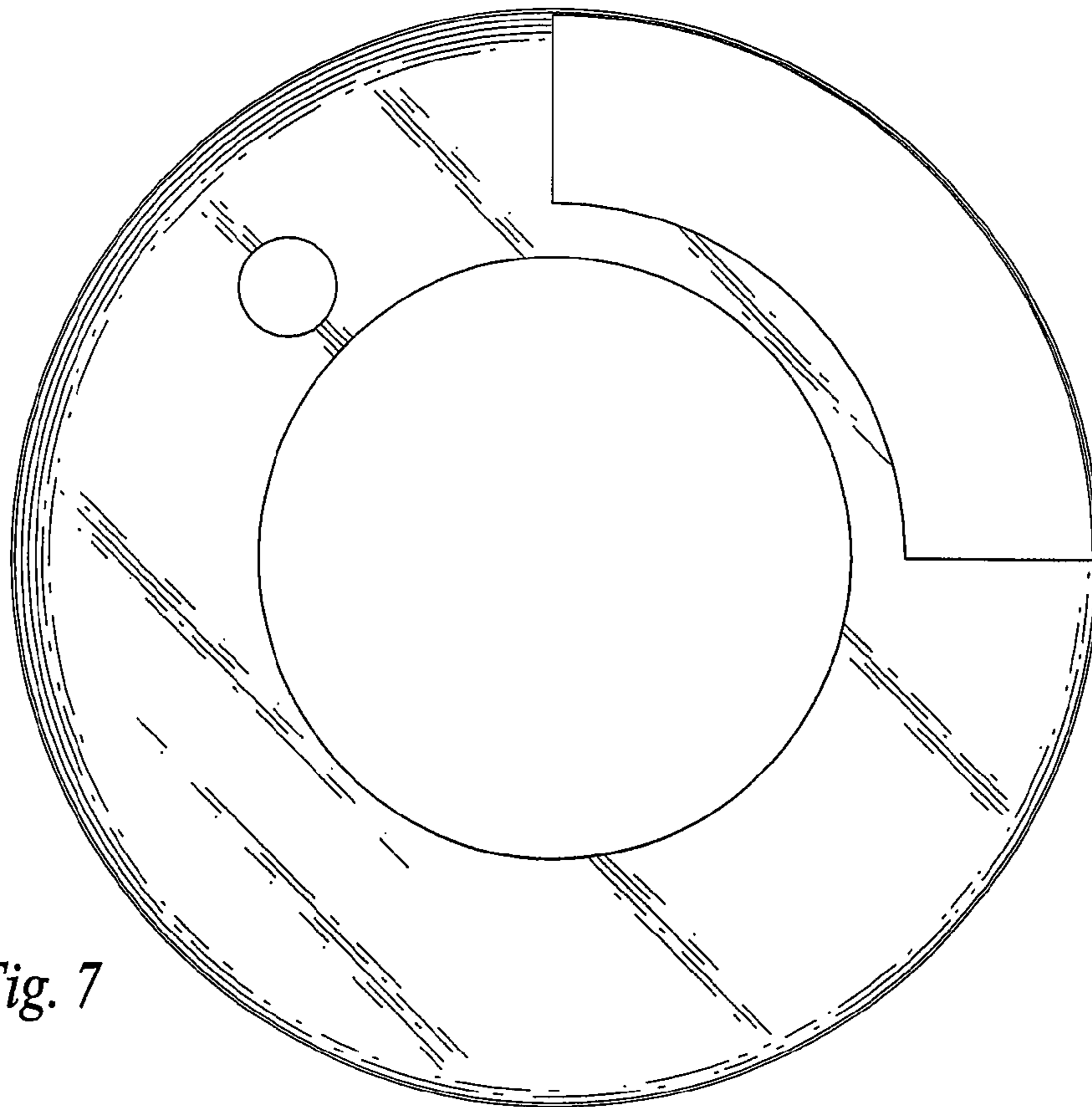


Fig. 7

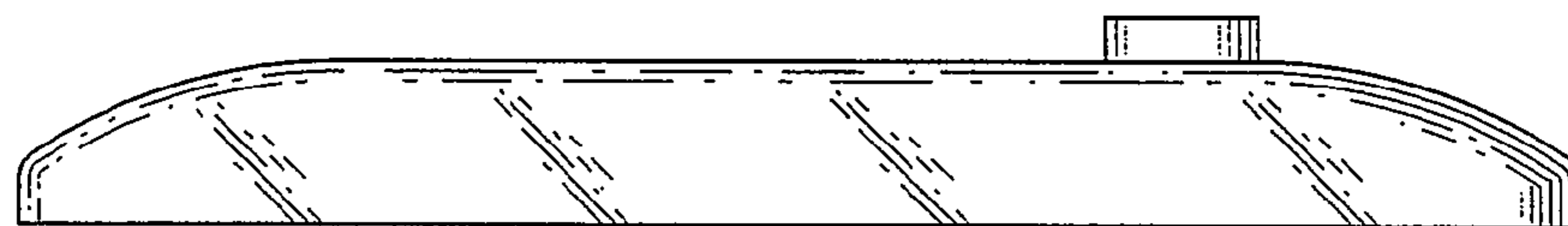


Fig. 8

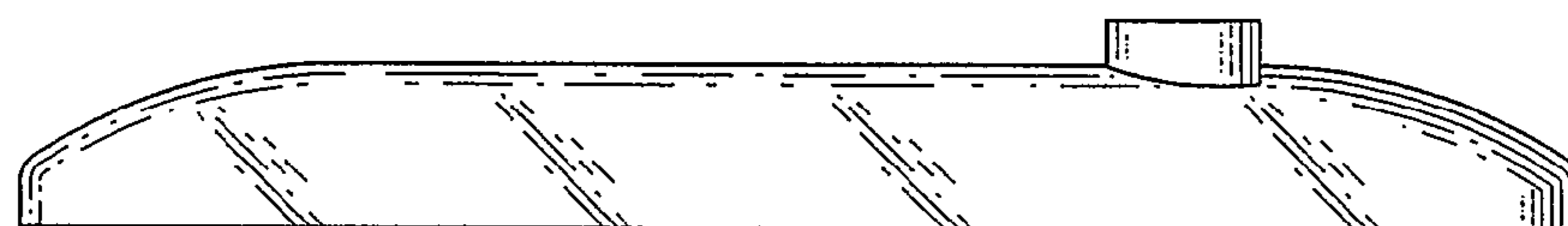


Fig. 9

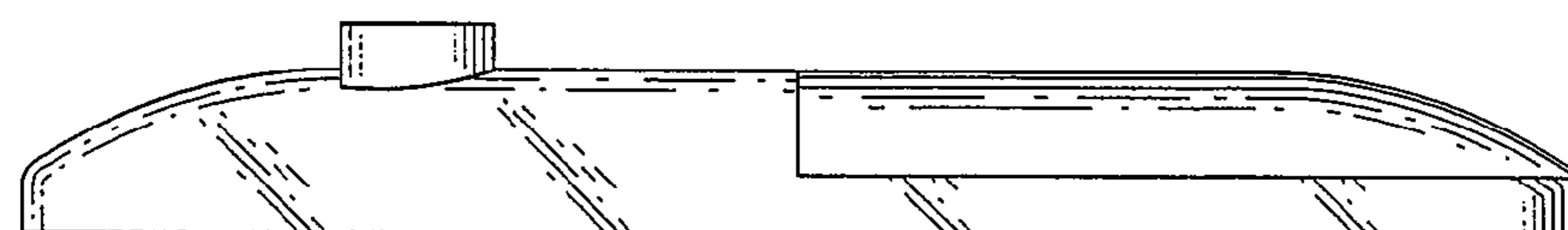


Fig. 10

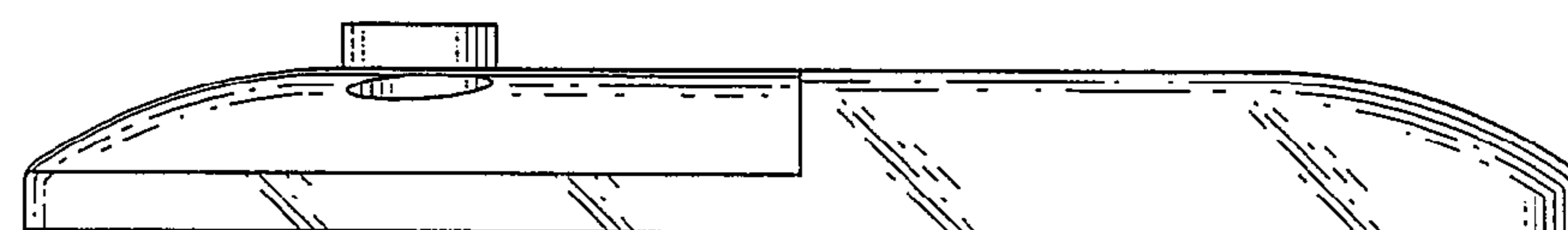


Fig. 11

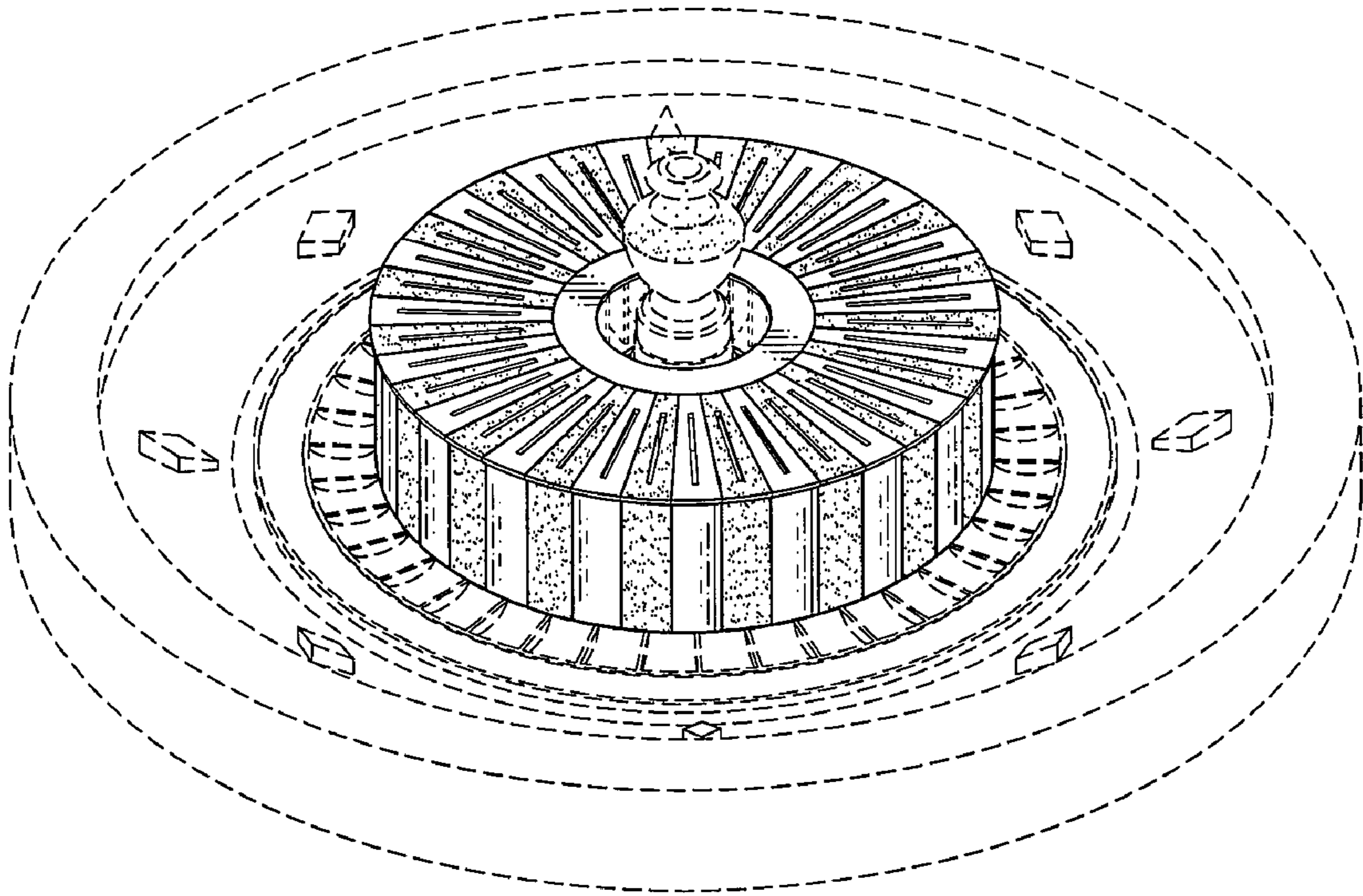


Fig. 12

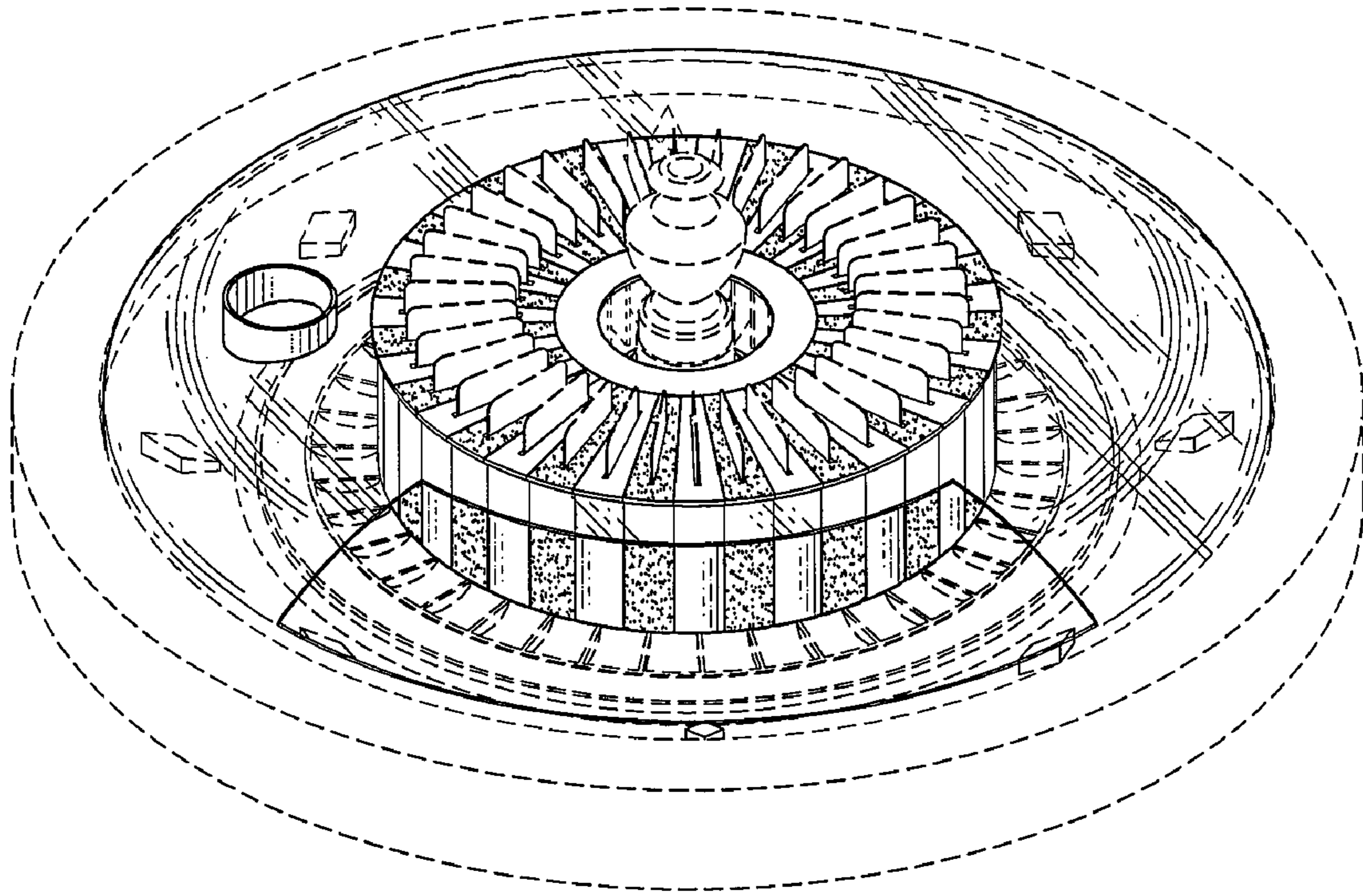


Fig. 13