



US00D617385S

(12) **United States Design Patent**  
**Johnson et al.**

(10) **Patent No.:** **US D617,385 S**  
(45) **Date of Patent:** **\*\* Jun. 8, 2010**

(54) **DECORATIVE TOPPER SIGN**  
(75) Inventors: **Richard Johnson**, Las Vegas, NV (US);  
**Yuji Taniguchi**, Henderson, NV (US);  
**Norio Tone**, Las Vegas, NV (US)

D465,811 S \* 11/2002 Schaub ..... D20/10  
D466,943 S \* 12/2002 Schaub ..... D20/10  
2006/0277805 A1 \* 12/2006 Kopera et al. .... 40/584  
2009/0017903 A1 \* 1/2009 Mizoguchi et al. .... 463/20  
2009/0124343 A1 \* 5/2009 Nelson et al. .... 463/20

(73) Assignee: **Konami Gaming, Incorporated**, Las Vegas, NV (US)

\* cited by examiner

(\*\*) Term: **14 Years**

*Primary Examiner*—Janice E Seeger

*Assistant Examiner*—Mary Ann Calabrese

(21) Appl. No.: **29/343,637**

(74) *Attorney, Agent, or Firm*—Howard & Howard Attorneys PLLC

(22) Filed: **Sep. 16, 2009**

(57) **CLAIM**

(51) **LOC (9) Cl.** ..... **20-03**

We claim the ornamental design for a decorative topper sign, as shown and described herein.

(52) **U.S. Cl.** ..... **D20/10**

(58) **Field of Classification Search** ..... D20/10,  
D20/11, 17, 19, 21, 22, 36, 39–43, 99; 40/124.01,  
40/124.02, 124.06, 124.191, 299.01, 538,  
40/540–542, 584, 594, 611.01, 638; D6/511;  
D7/354, 550; D10/104, 109; D16/225; D21/625,  
D21/370; 283/56, 71, 81; 362/812; 463/20  
See application file for complete search history.

**DESCRIPTION**

FIG. 1 is a perspective view of the decorative topper sign;  
FIG. 2 is an enlarged front view of the device;  
FIG. 3 is a left side view of the device;  
FIG. 4 is a further enlarged right side view of the device;  
FIG. 5 is a top side view of the device;  
FIG. 6 is a bottom view of the device; and,  
FIG. 7 is a back view of the device.

(56) **References Cited**

**U.S. PATENT DOCUMENTS**

D62,616 S \* 7/1923 MacMillen ..... D20/10  
D279,485 S \* 7/1985 Brennan ..... D20/17  
D316,429 S \* 4/1991 Gutierrez ..... D20/42  
D450,777 S \* 11/2001 Nocik ..... D20/42

The broken lines shown in the figures are for illustrative purposes only and form no part of the claimed design.

**1 Claim, 4 Drawing Sheets**

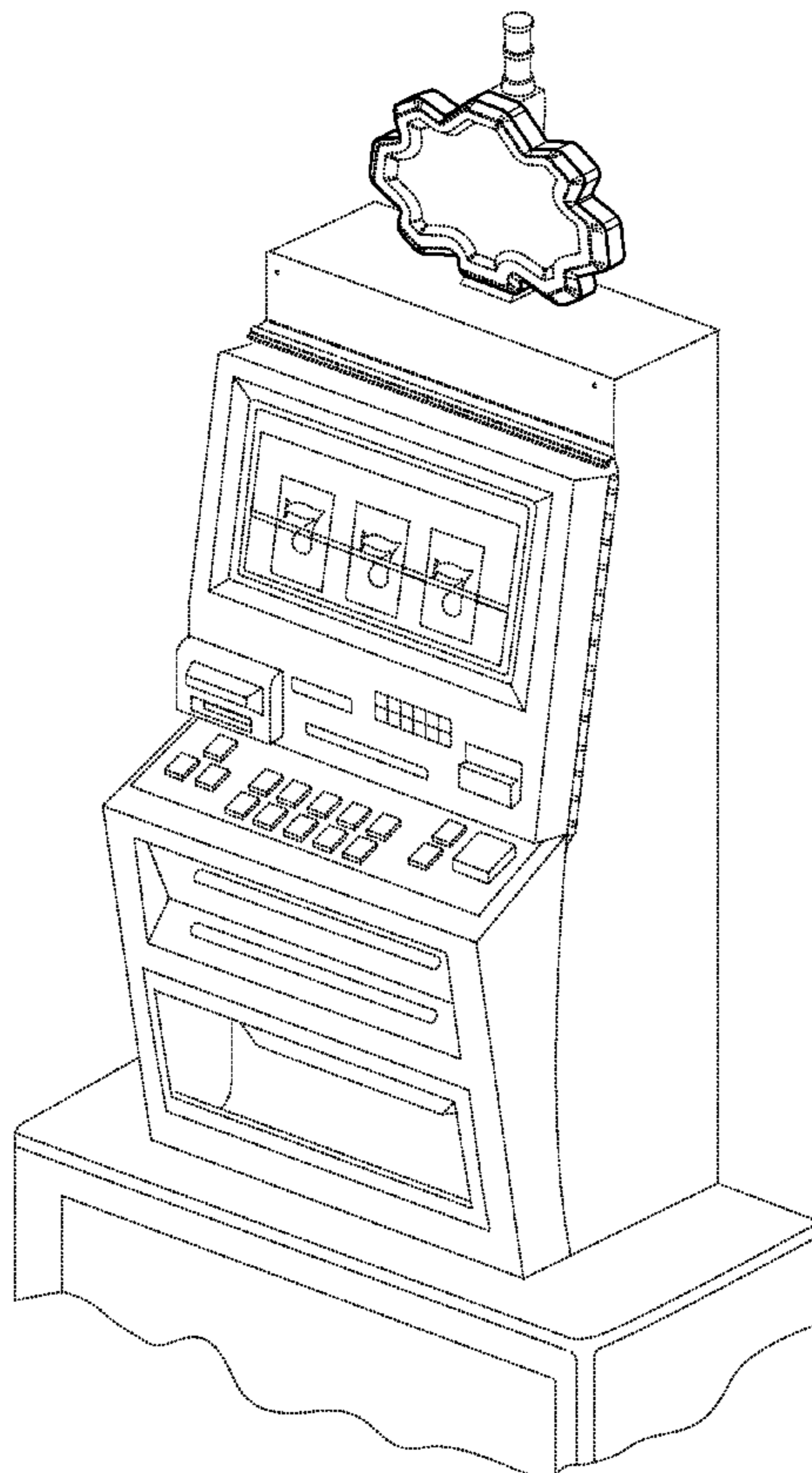


FIG. 1

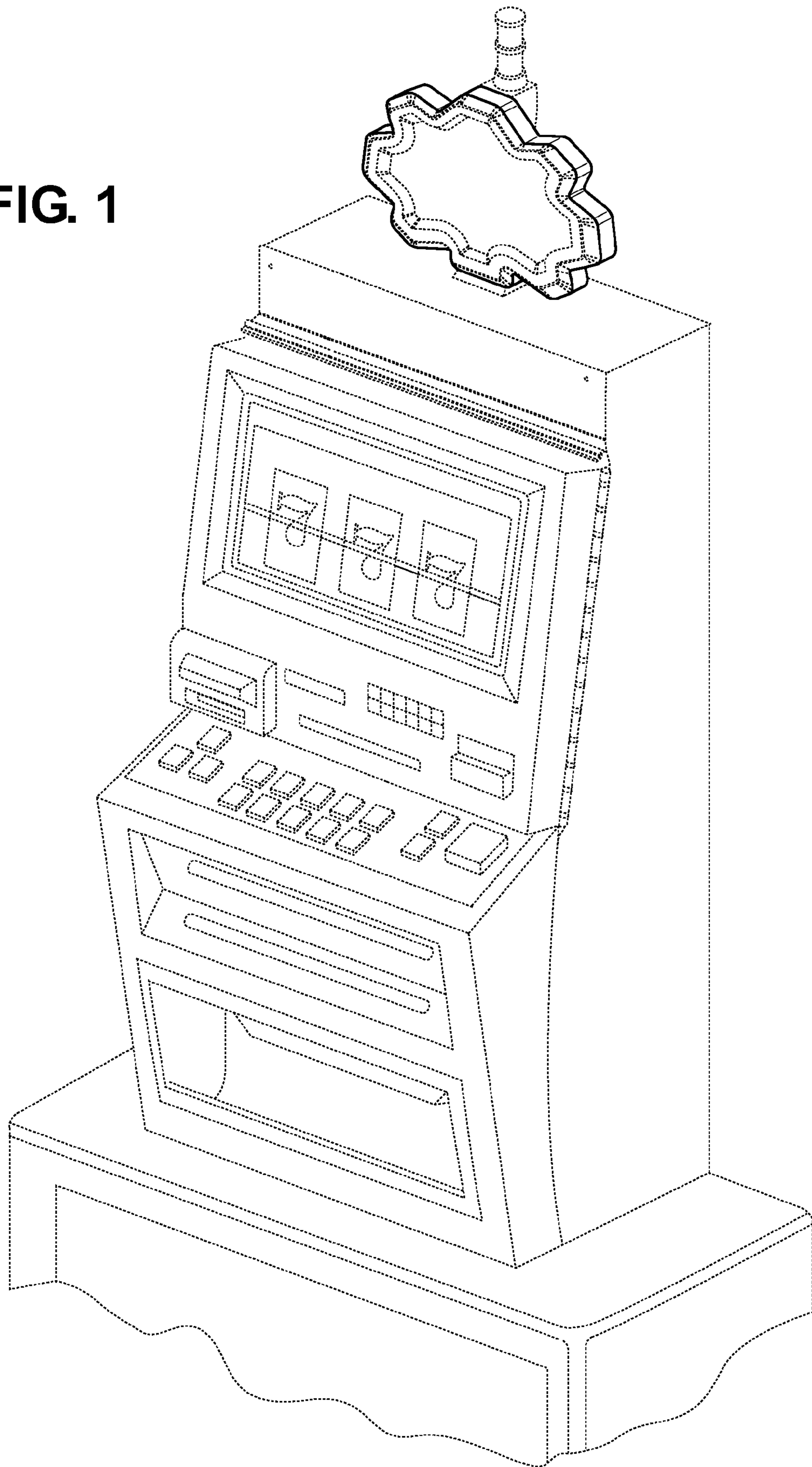


FIG. 2

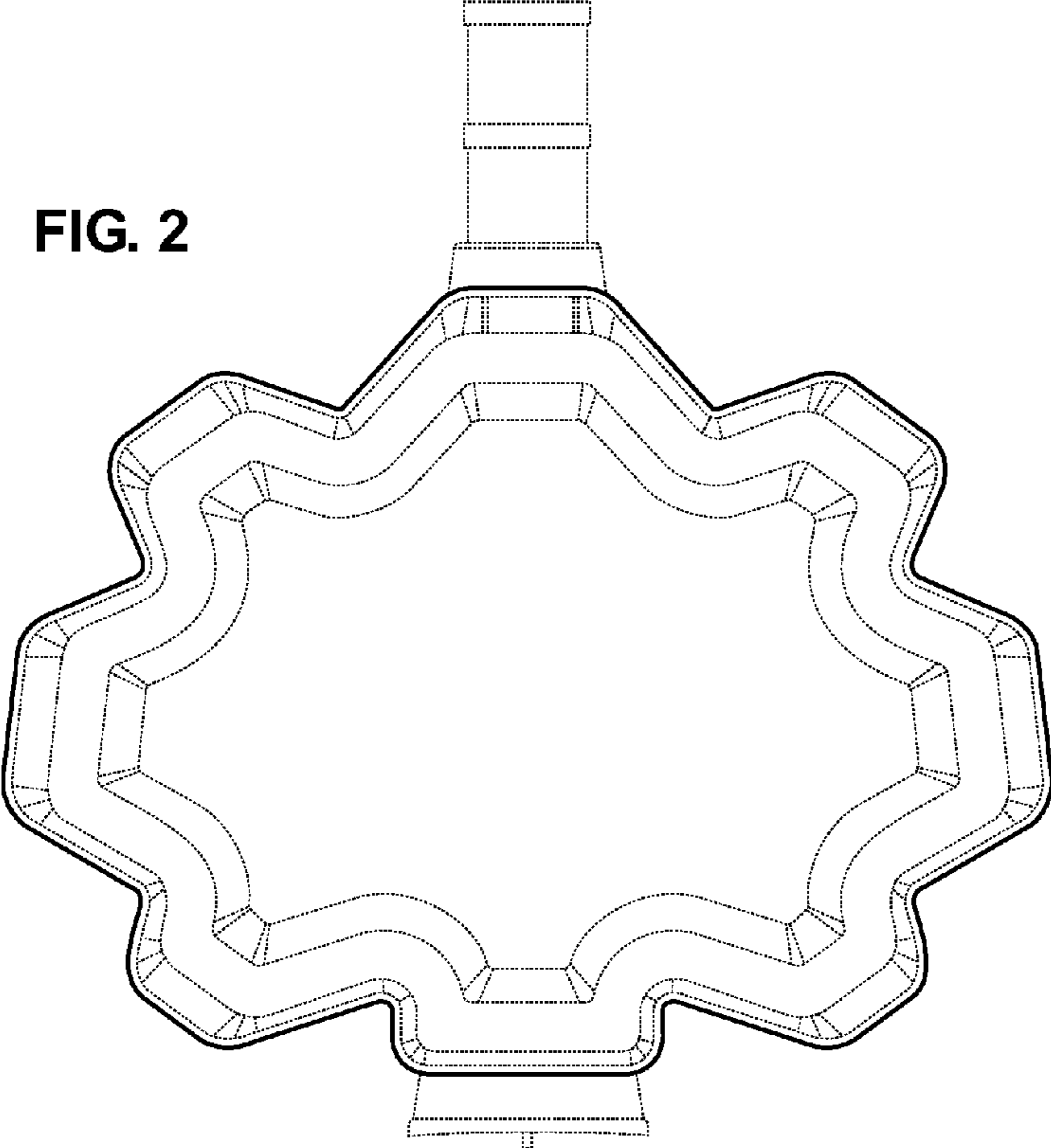
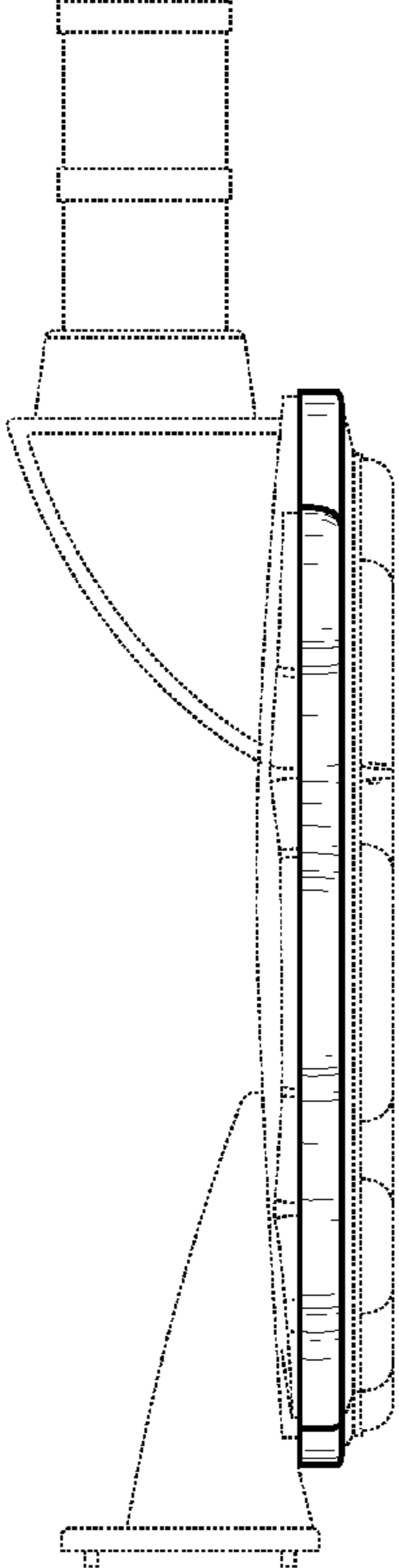
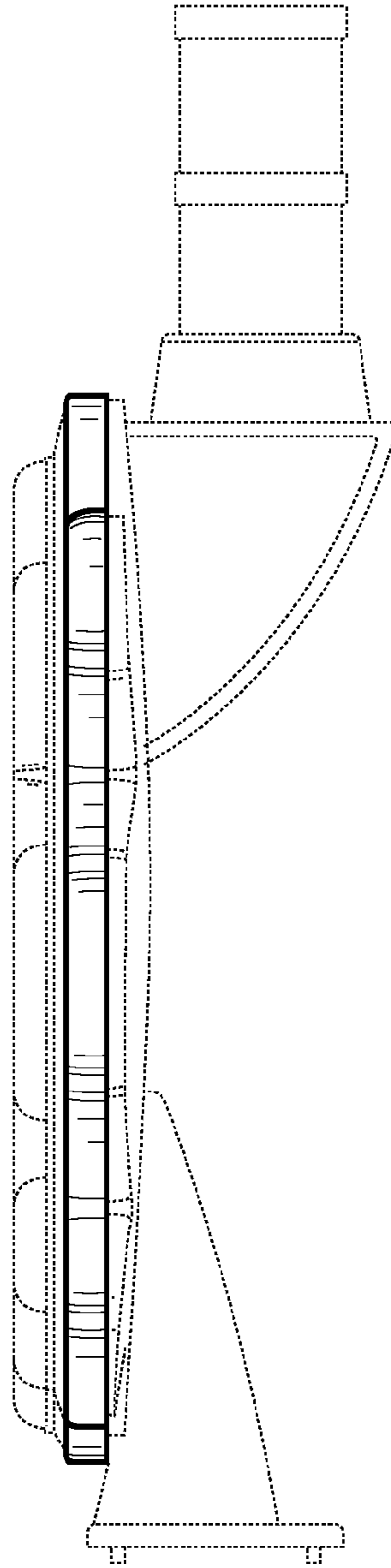


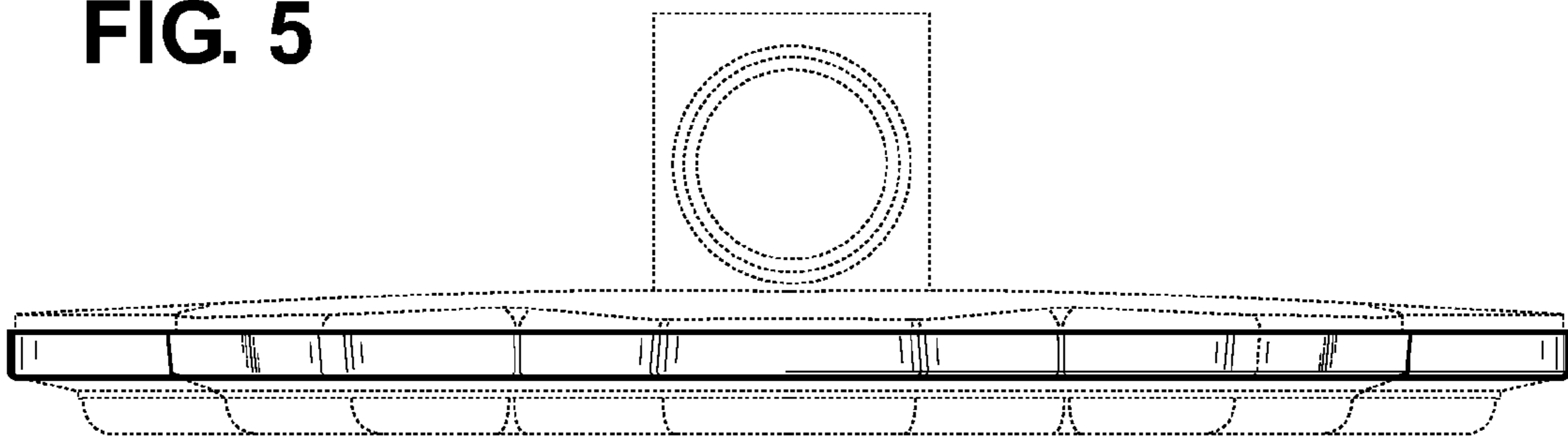
FIG. 3



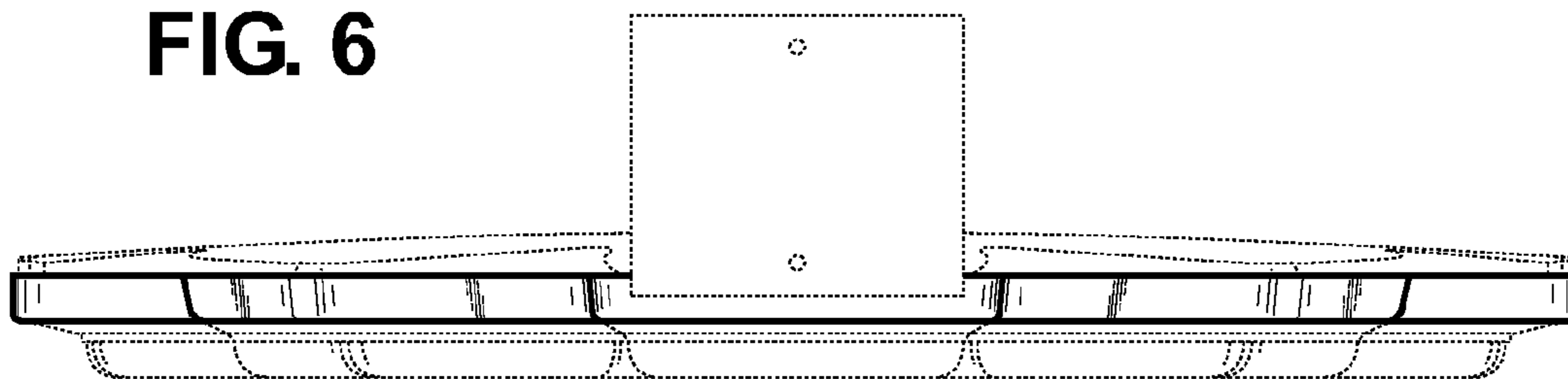
**FIG. 4**



**FIG. 5**



**FIG. 6**



**FIG. 7**

