



US00D617381S

(12) **United States Design Patent**
Hsu

(10) **Patent No.:** **US D617,381 S**
(45) **Date of Patent:** **** Jun. 8, 2010**

(54) **STATIONERY ORGANIZER IN THE FORM OF AN AQUARIUM**

(75) Inventor: **Yen-Shao Hsu**, Taipei Hsien (TW)

(73) Assignee: **Chi Da Toys Enterprises (H.K.) Ltd.**,
Kowloon (HK)

(**) Term: **14 Years**

(21) Appl. No.: **29/351,684**

(22) Filed: **Dec. 9, 2009**

(51) **LOC (9) Cl.** **19-02**

(52) **U.S. Cl.** **D19/75; D30/104**

(58) **Field of Classification Search** D6/470,
D6/510; D19/75, 77-86, 90-95; D30/101-106;
206/214, 224, 371, 457; 428/13
See application file for complete search history.

(56) **References Cited**

U.S. PATENT DOCUMENTS

D339,824 S *	9/1993	Ancona et al.	D19/77
D347,911 S *	6/1994	Tominaga	D30/101
D351,488 S *	10/1994	Tominaga	D30/101
D356,404 S *	3/1995	Hashimoto	D30/101
D361,166 S *	8/1995	Tsuchiya	D30/101
D361,168 S *	8/1995	Ichikawa	D30/101
D361,412 S *	8/1995	Ichikawa	D30/101
D361,413 S *	8/1995	Ichikawa	D30/101
D361,870 S *	8/1995	Ichikawa	D30/101
D362,088 S *	9/1995	Ichikawa	D30/101
D366,350 S *	1/1996	Ichikawa	D30/101
D371,088 S *	6/1996	Vollick	D11/145
D383,623 S *	9/1997	Goodwin et al.	D6/470

D397,520 S *	8/1998	Ichikawa	D30/101
D416,292 S *	11/1999	Hsieh	D21/483
D448,124 S *	9/2001	Wang	D30/101
D566,342 S *	4/2008	Kilroy	D30/104
D577,463 S *	9/2008	Kilroy	D30/101
D596,808 S *	7/2009	Belter	D30/101

* cited by examiner

Primary Examiner—Elizabeth A Albert

(74) *Attorney, Agent, or Firm*—Muncy, Geissler, Olds & Lowe, PLLC

(57) **CLAIM**

The ornamental design for stationery organizer in the form of an aquarium, as shown and described.

DESCRIPTION

FIG. 1 is a perspective view of a stationery organizer in the form of an aquarium showing my new design;

FIG. 2 is a front view of the new design;

FIG. 3 is a rear view of the new design;

FIG. 4 is a left view of the new design;

FIG. 5 is a right view of the new design;

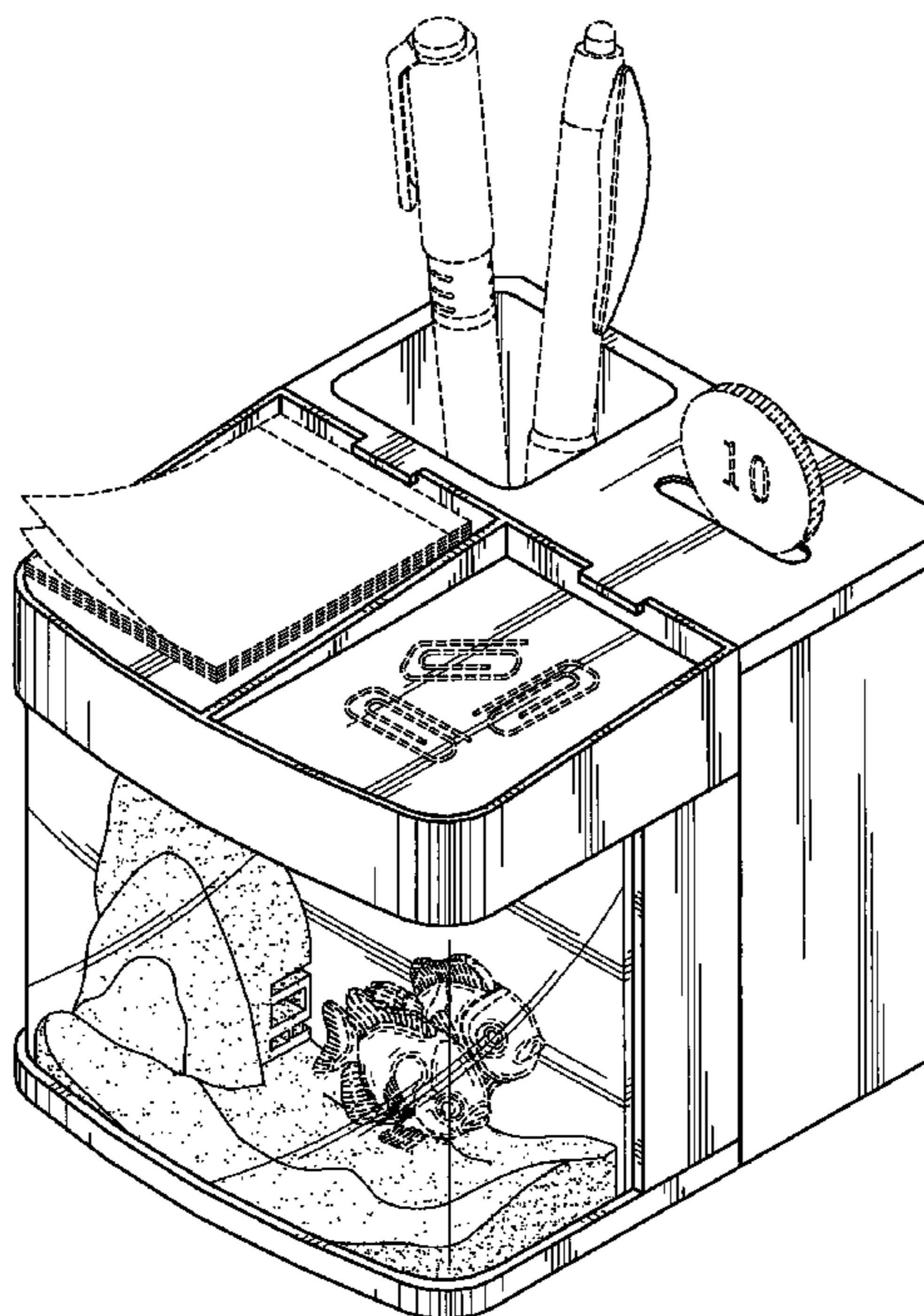
FIG. 6 is a top view of the new design;

FIG. 7 is a bottom view of the new design; and,

FIG. 8 is a perspective view showing the design in use.

The broken lines showing surfaces in FIGS. 6 and 7 and unclaimed articles and fish in FIG. 8 are included for the purpose of illustrating environmental matter and form no part of the claimed design.

1 Claim, 8 Drawing Sheets



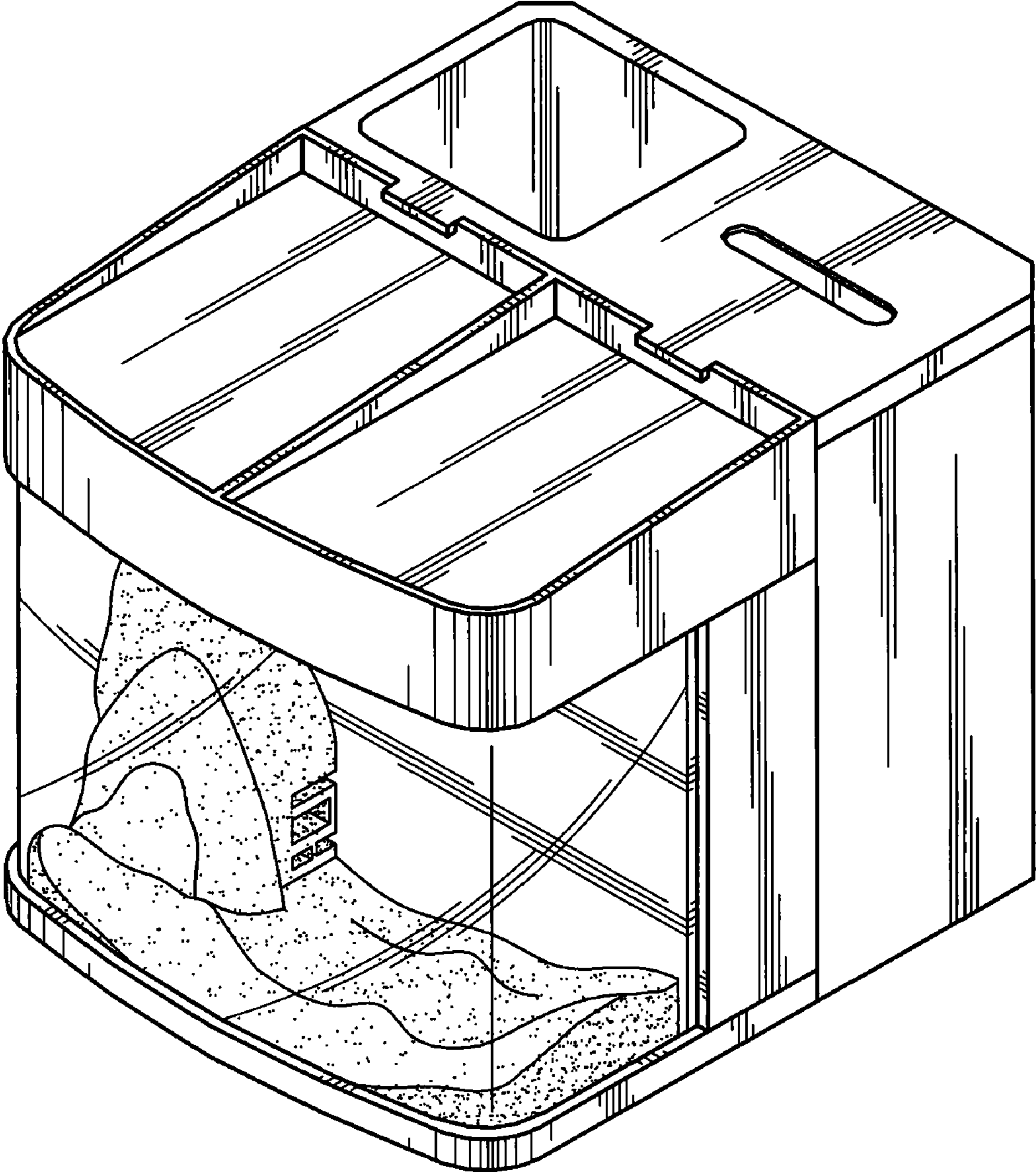


Fig. 1

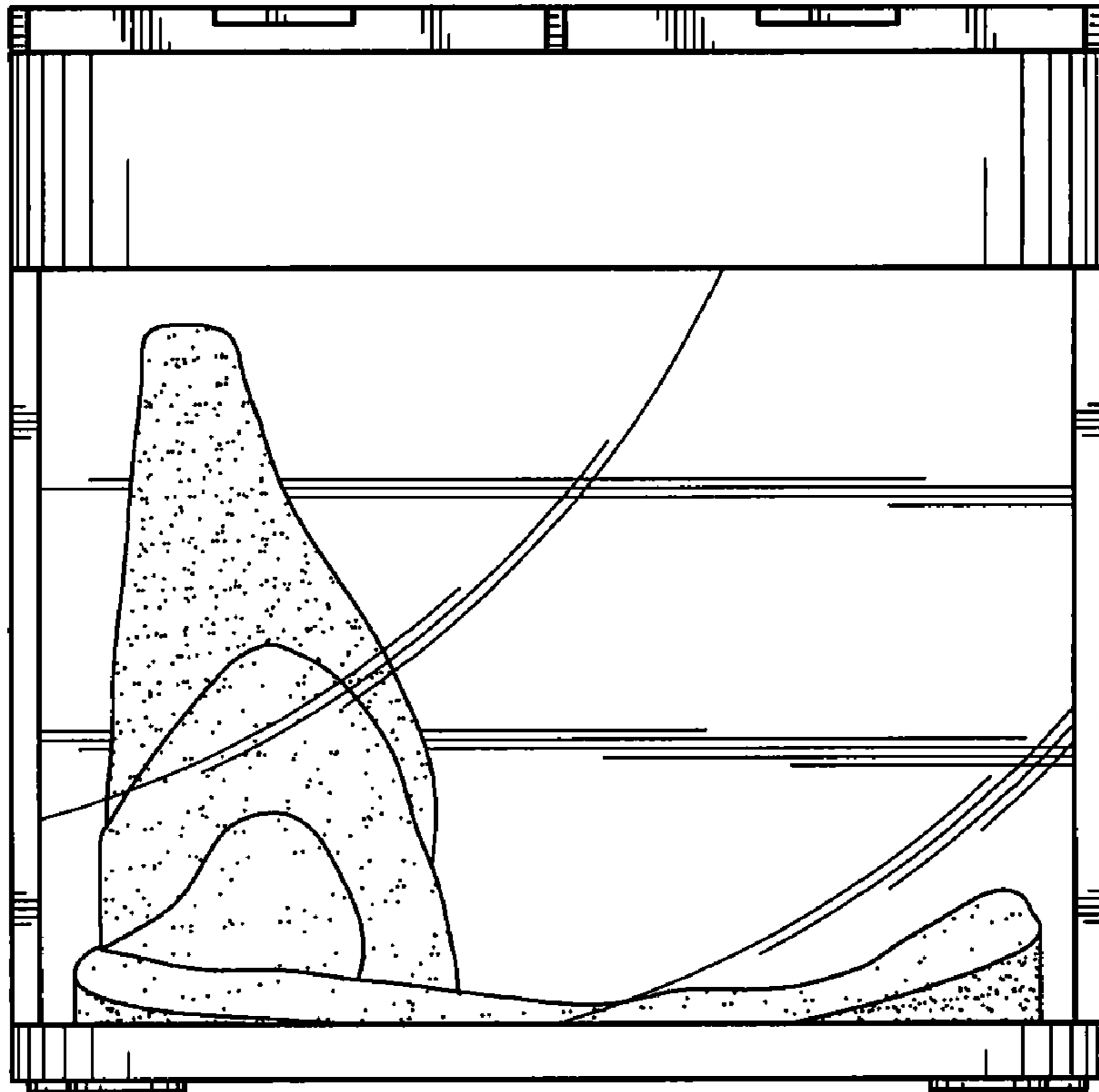


Fig. 2

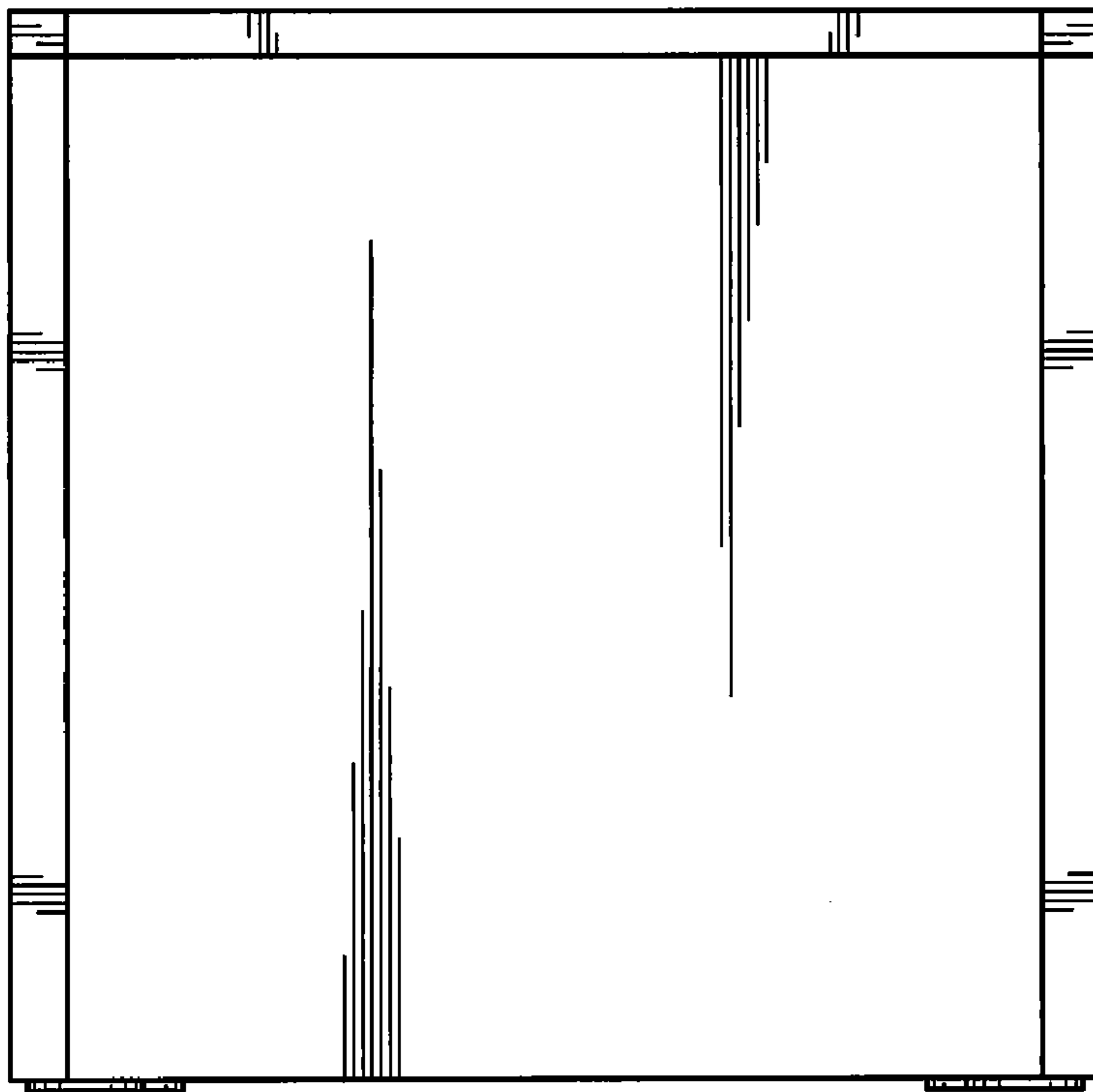


Fig. 3

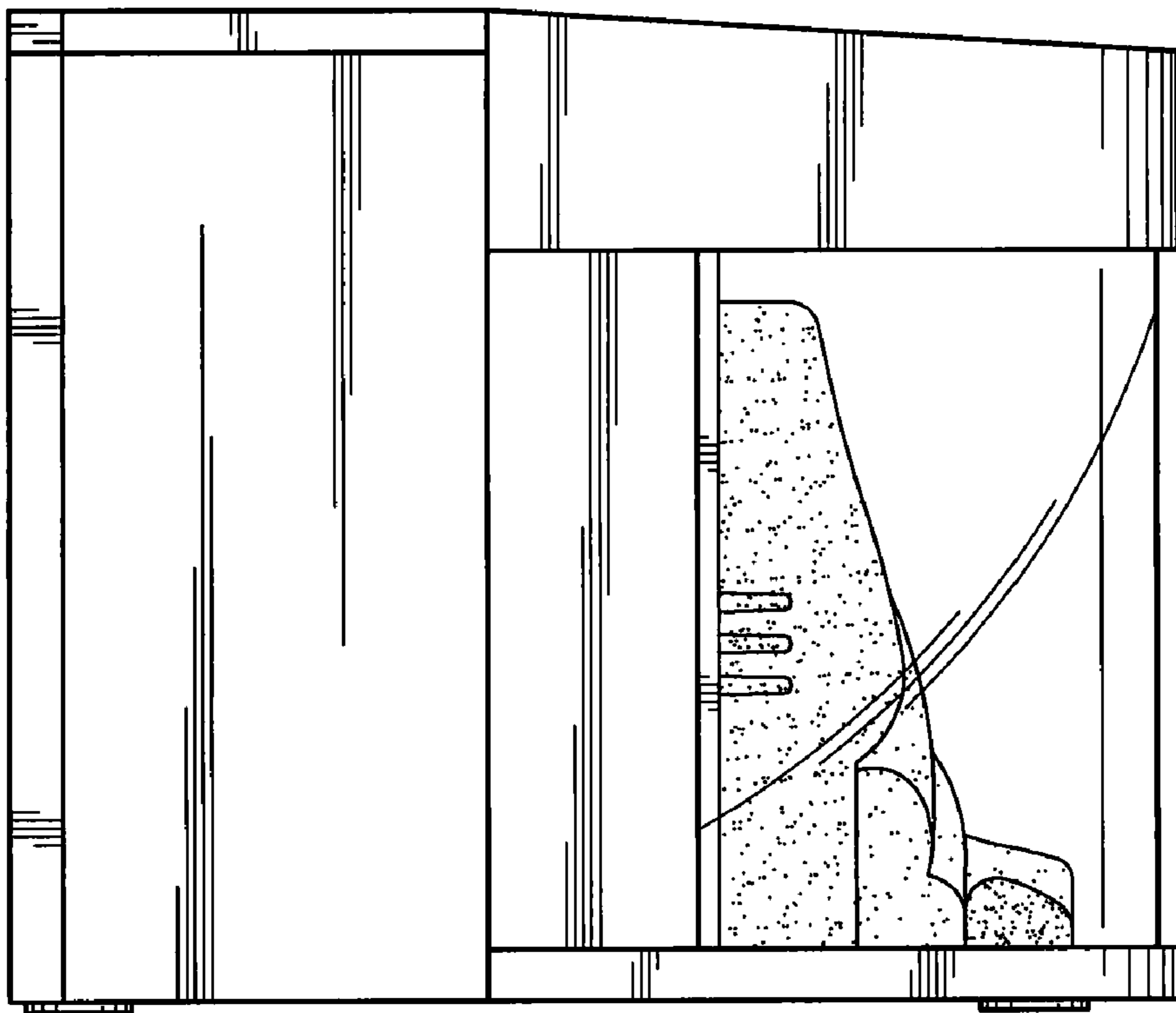


Fig. 4

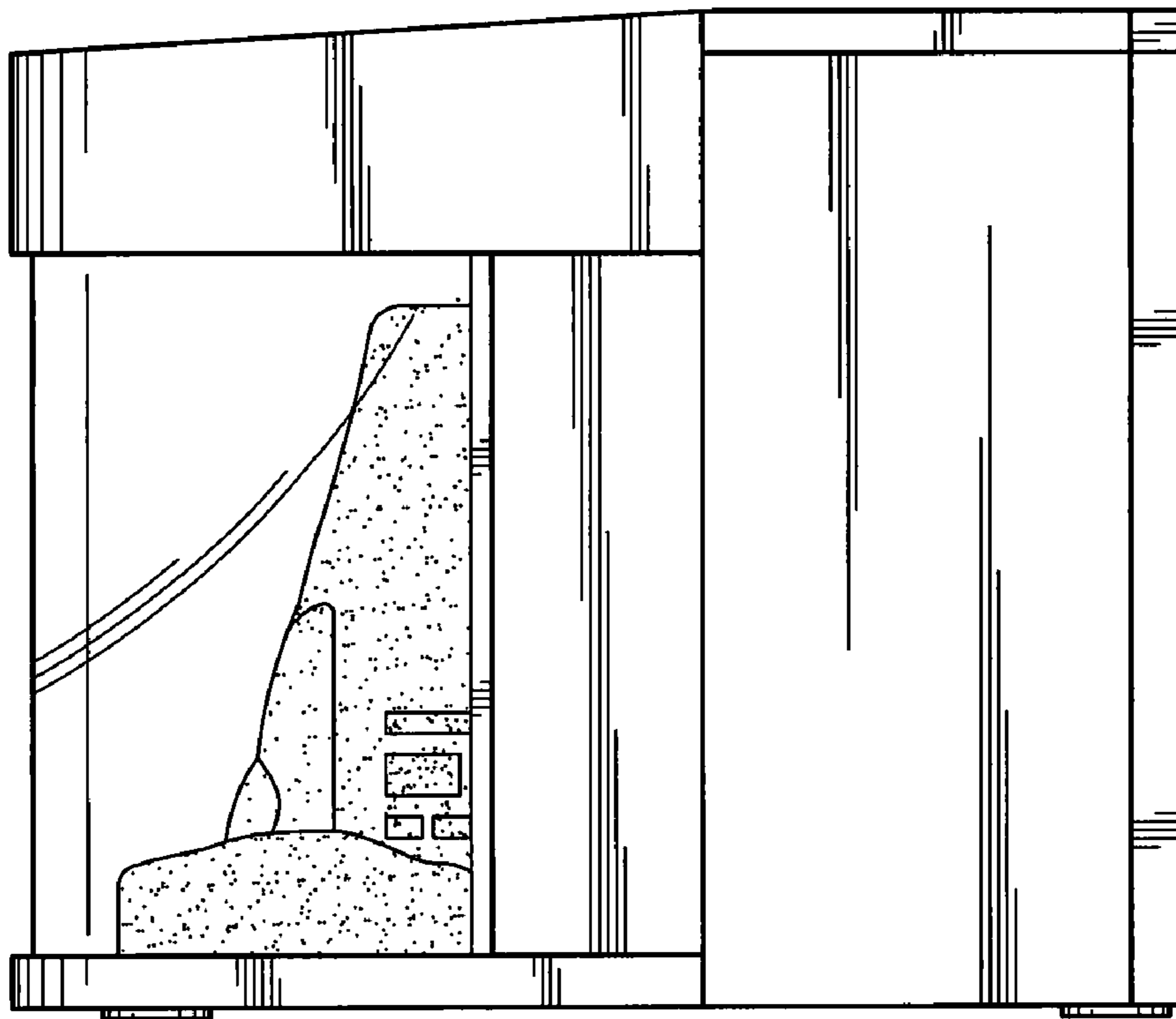


Fig. 5

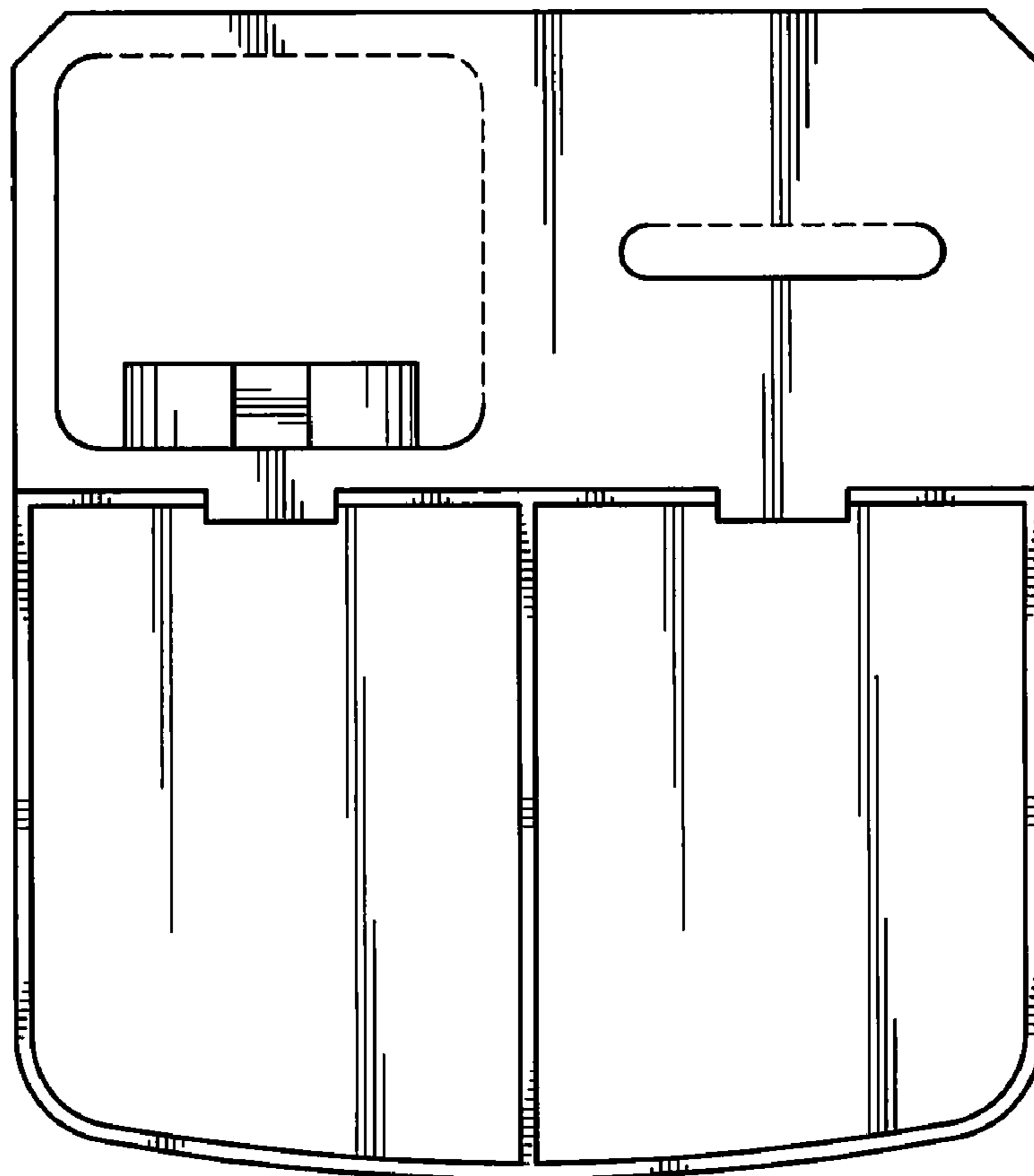


Fig. 6

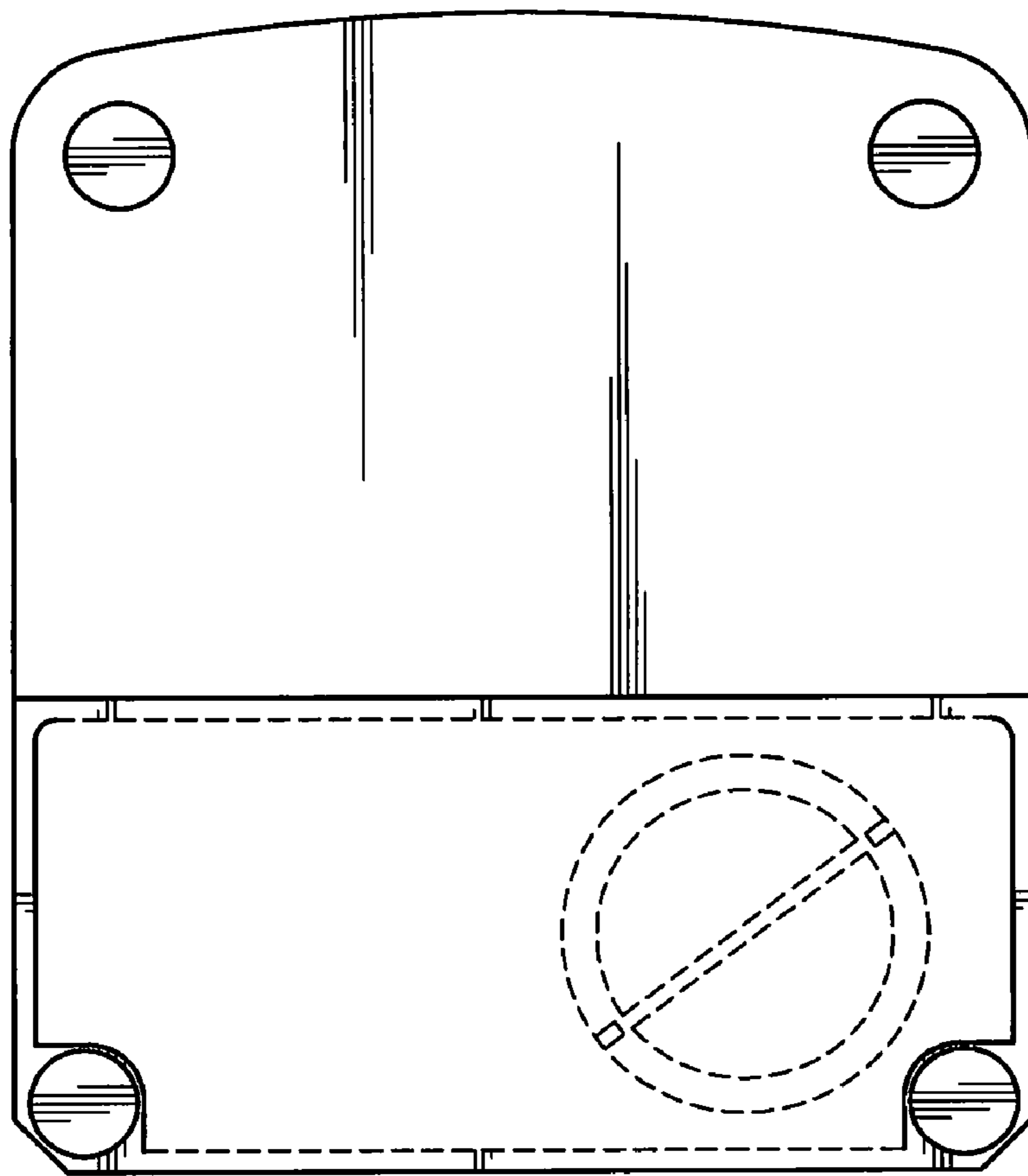


Fig. 7

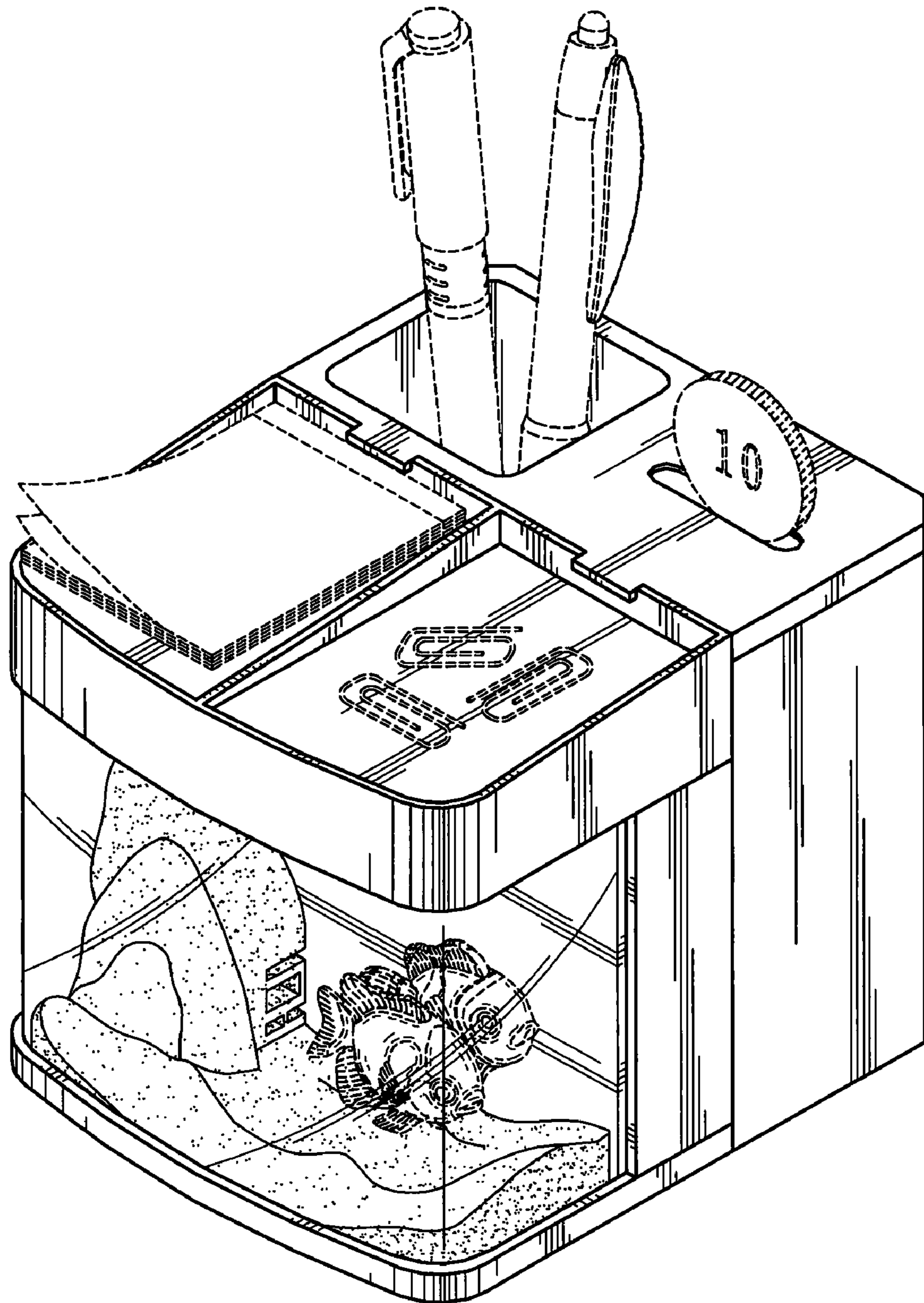


Fig. 8