



US00D617375S

(12) **United States Design Patent**  
**Brown et al.**

(10) **Patent No.:** **US D617,375 S**  
(45) **Date of Patent:** **\*\* Jun. 8, 2010**

(54) **BOTTOM EDGE FOR AN OFFICE MACHINE**

(75) Inventors: **Donald A. Brown**, Honeoye Falls, NY (US); **John B. Gilbert**, Lake Oswego, OR (US); **Takenouchi Masaaki**, Yokohama (JP); **Hiroko Saito**, Yokohama (JP)

(73) Assignee: **Xerox Corporation**, Norwalk, CT (US)

(\*\*) Term: **14 Years**

(21) Appl. No.: **29/327,338**

(22) Filed: **Nov. 4, 2008**

(51) **LOC (9) Cl.** ..... **14-02**

(52) **U.S. Cl.** ..... **D18/50; D18/56**

(58) **Field of Classification Search** ..... D18/36-37, D18/50, 54, 54.1, 55, 19; D14/420-425, D14/463-470; 400/613, 613.1-613.4, 690.1-690.4, 400/691-694

See application file for complete search history.

(56) **References Cited**

**U.S. PATENT DOCUMENTS**

D433,415 S *	11/2000	Itakura	.....	D14/425
D461,812 S *	8/2002	Khovaylo et al.	.....	D14/425
D477,632 S *	7/2003	Todd	.....	D18/55
D501,667 S *	2/2005	Ishigami et al.	.....	D18/50
D502,500 S *	3/2005	Hoshiya et al.	.....	D18/50

D502,733 S *	3/2005	Miyauchi et al.	.....	D18/50
D530,738 S *	10/2006	Tay et al.	.....	D18/55
D556,256 S *	11/2007	Matsumoto	.....	D18/55
D576,669 S *	9/2008	Mastriano et al.	.....	D18/50

\* cited by examiner

*Primary Examiner*—Cathy Anne MacCormac  
(74) *Attorney, Agent, or Firm*—Tallam I. Nguti

(57) **CLAIM**

The ornamental design for a bottom edge for office machine, as shown and described.

**DESCRIPTION**

FIG. 1 is a perspective view of a bottom edge for an office machine showing the ornamental design in accordance the present invention;

FIG. 2 is a front view thereof;

FIG. 3 is a right side view thereof;

FIG. 4 is a rear view thereof;

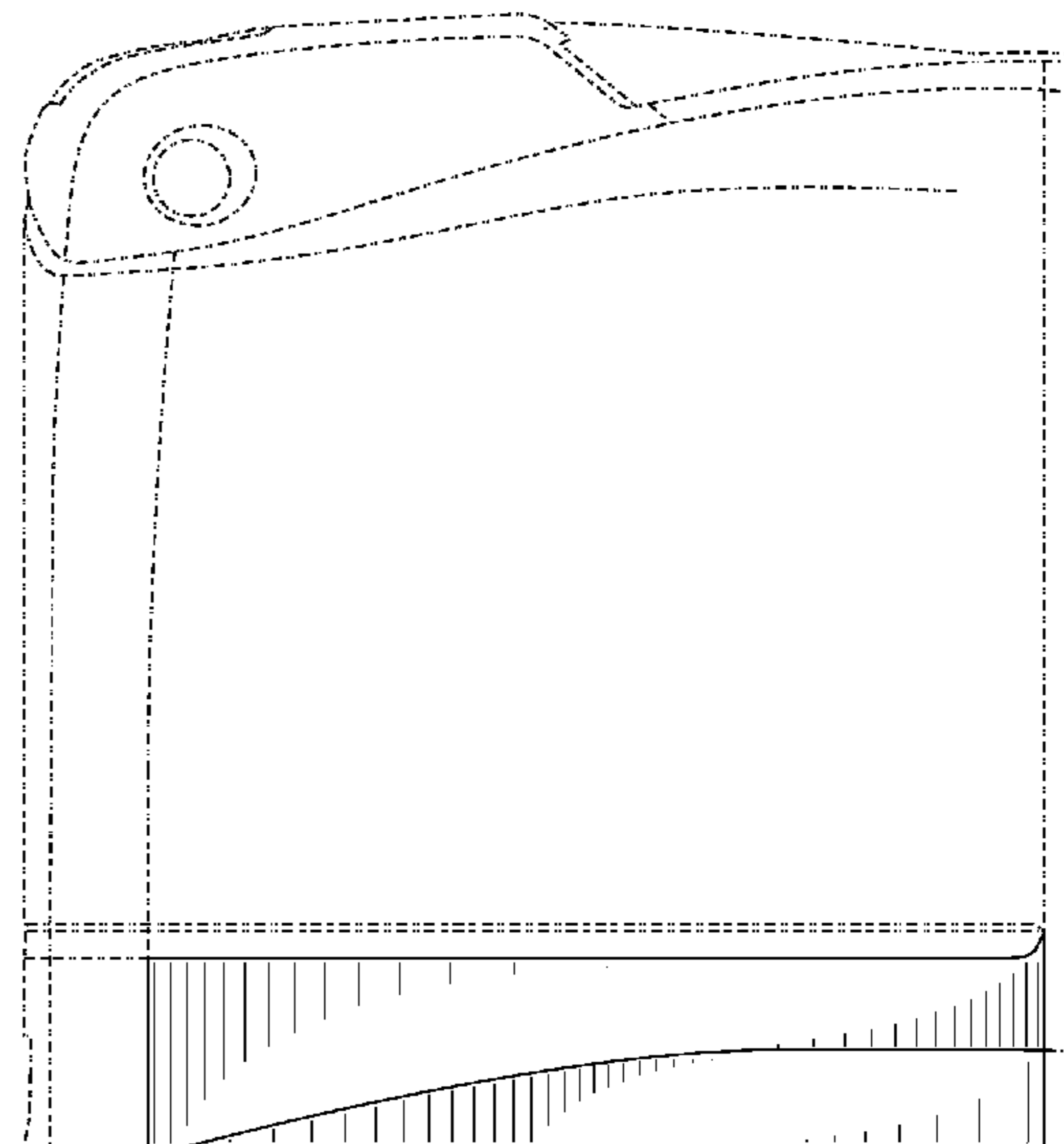
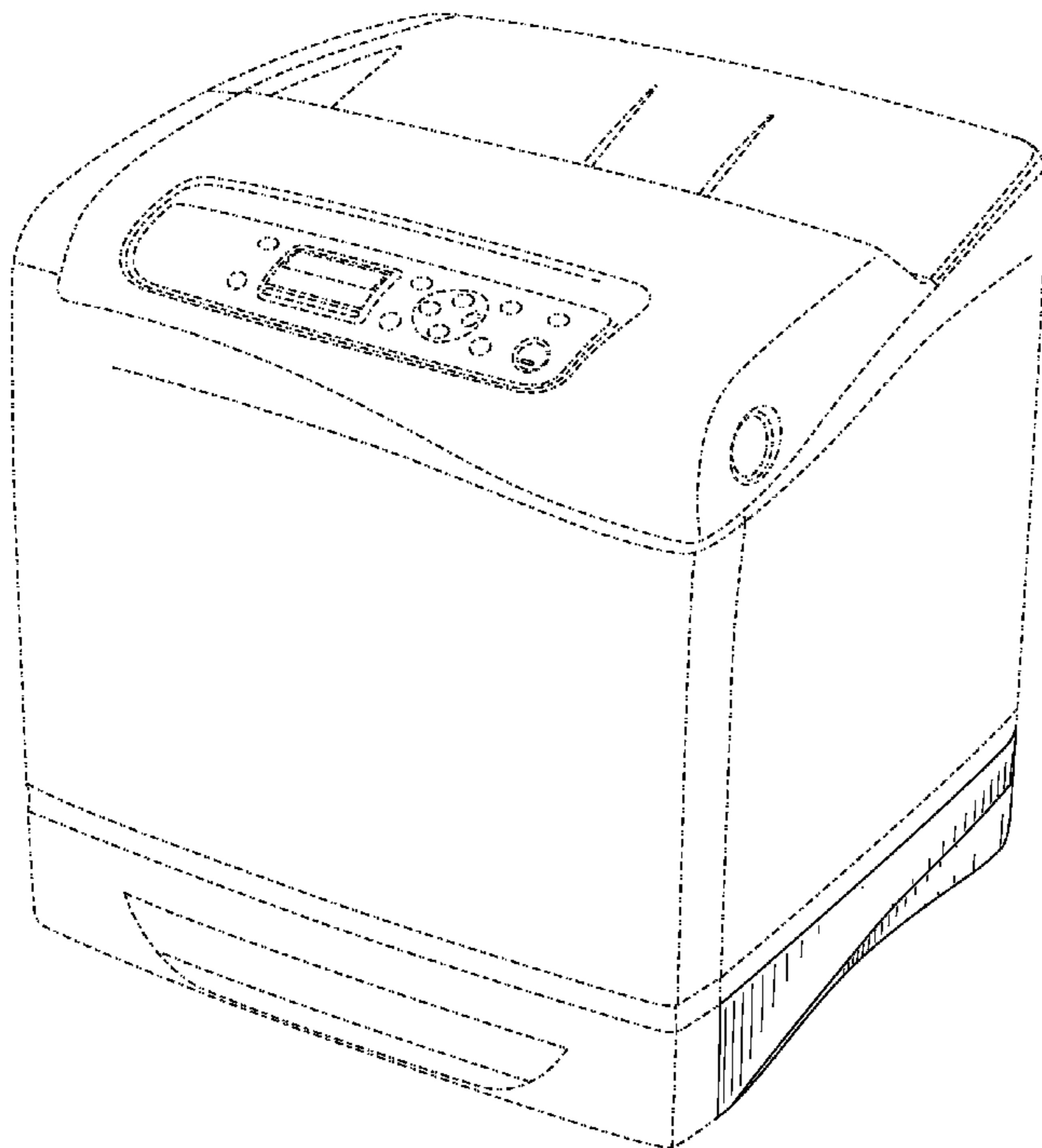
FIG. 5 is a left side view thereof;

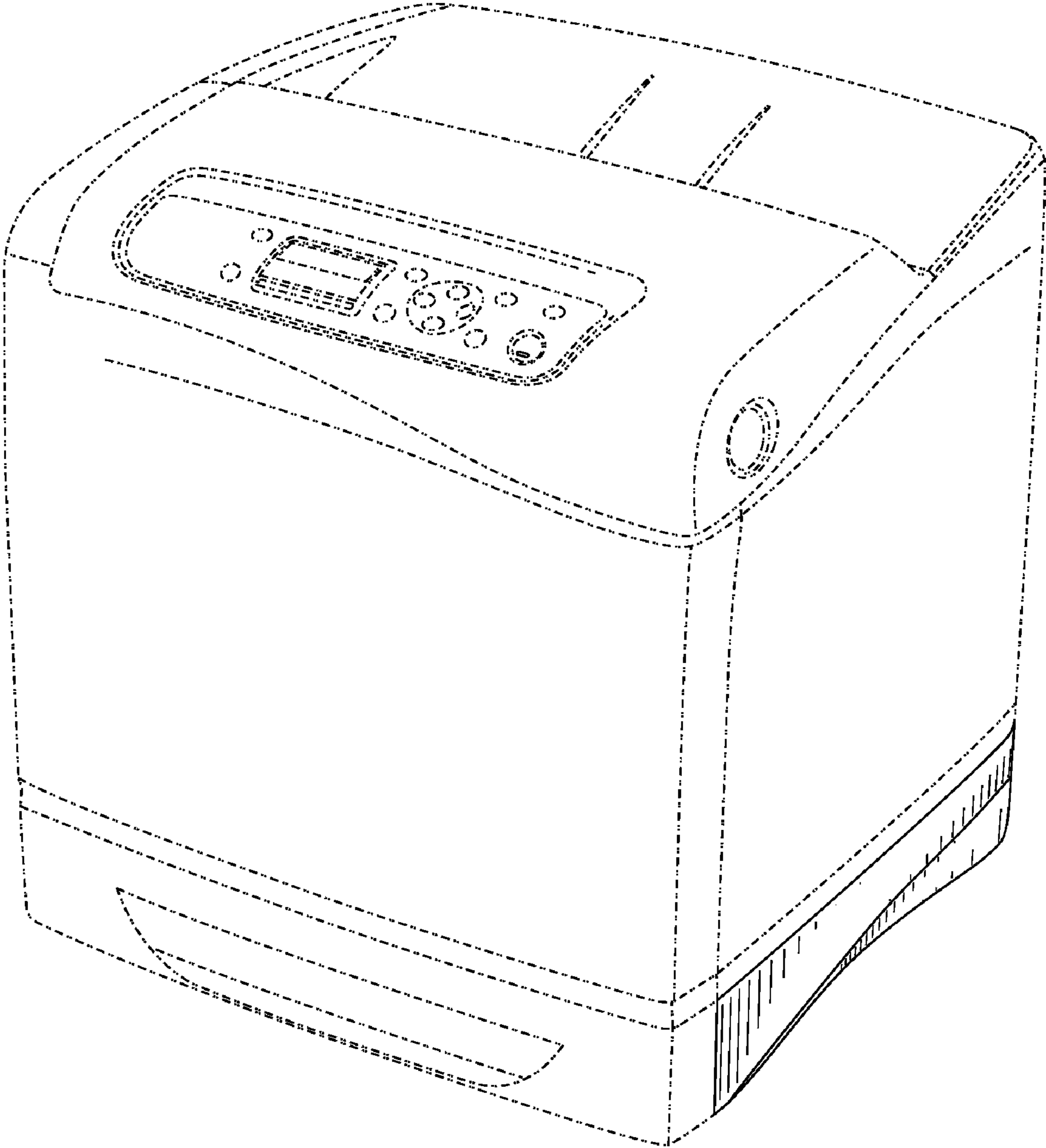
FIG. 6 is a top plan view thereof; and,

FIG. 7 is a bottom plan view thereof.

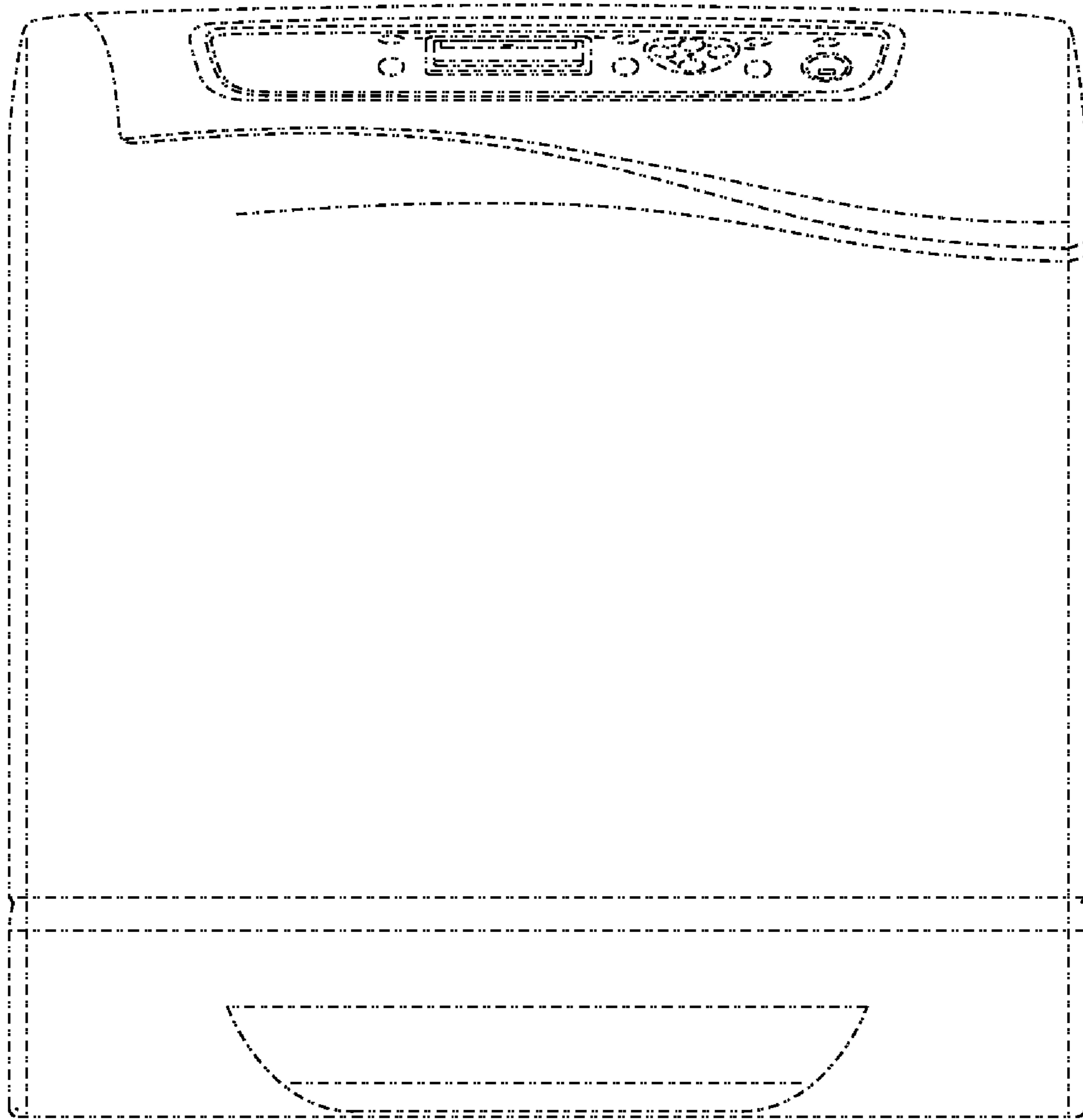
The broken lines shown are for illustrative purposes only and form no part of the claimed design.

**1 Claim, 7 Drawing Sheets**

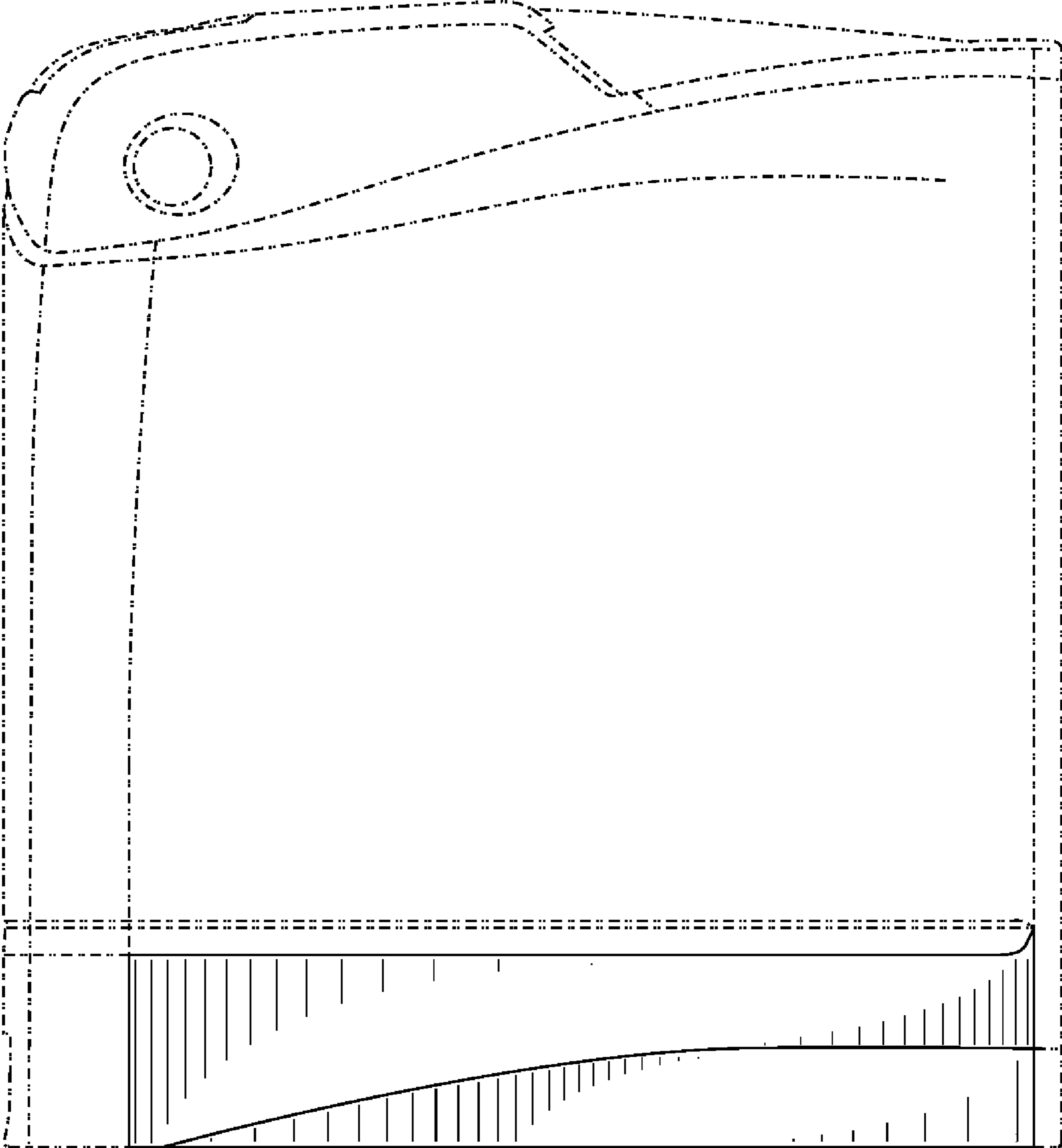




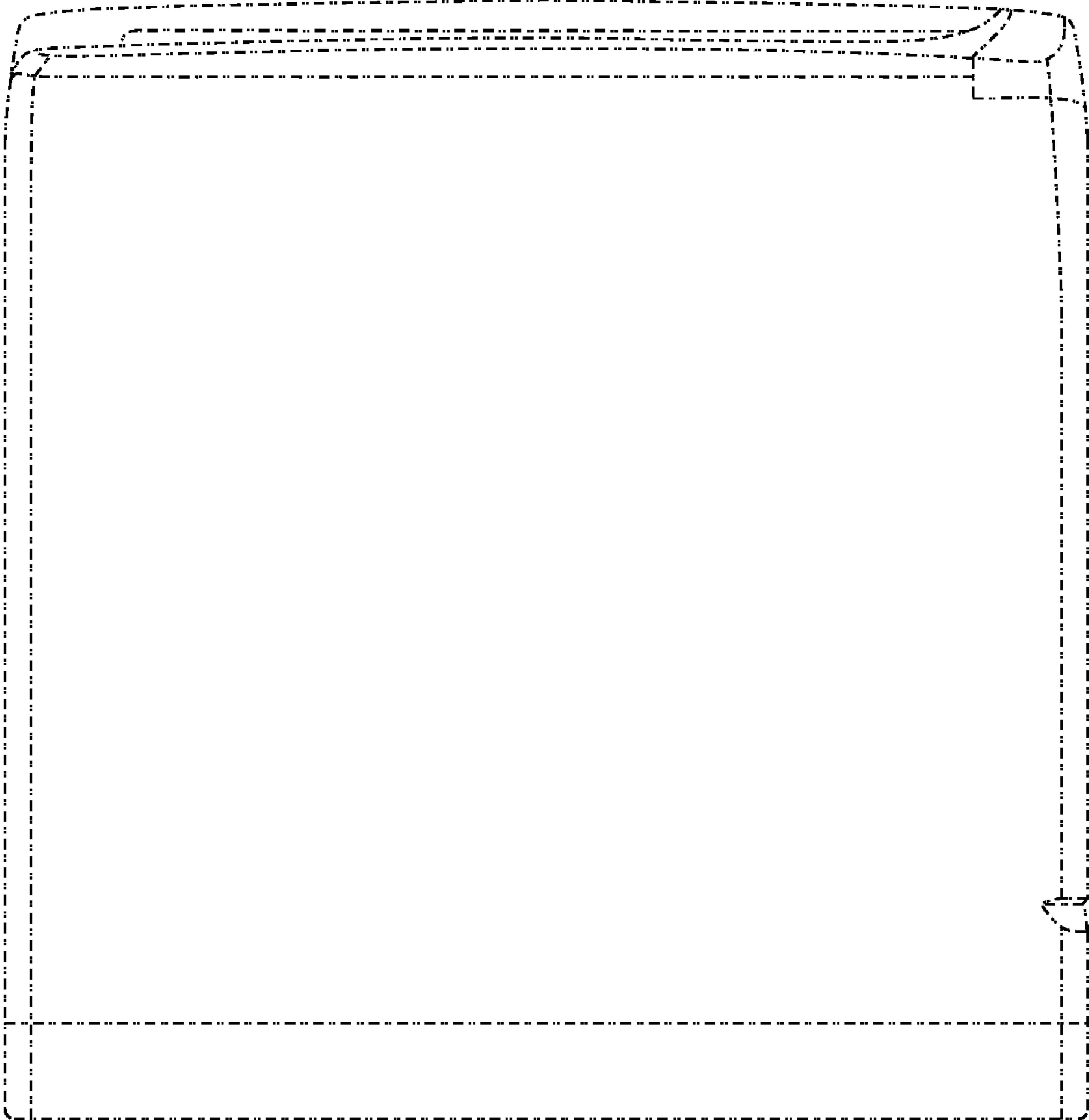
**FIG. 1**



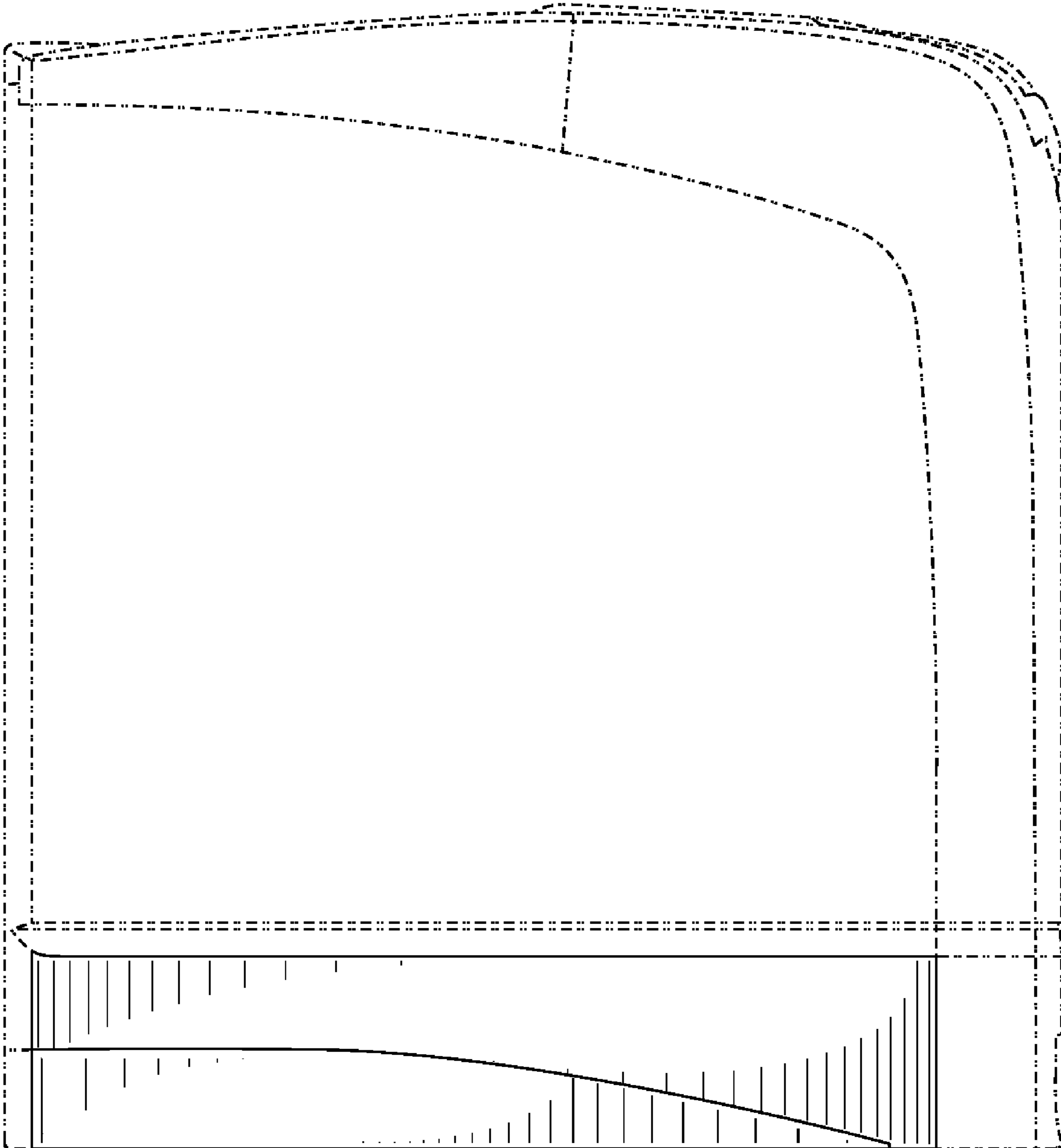
**FIG. 2**



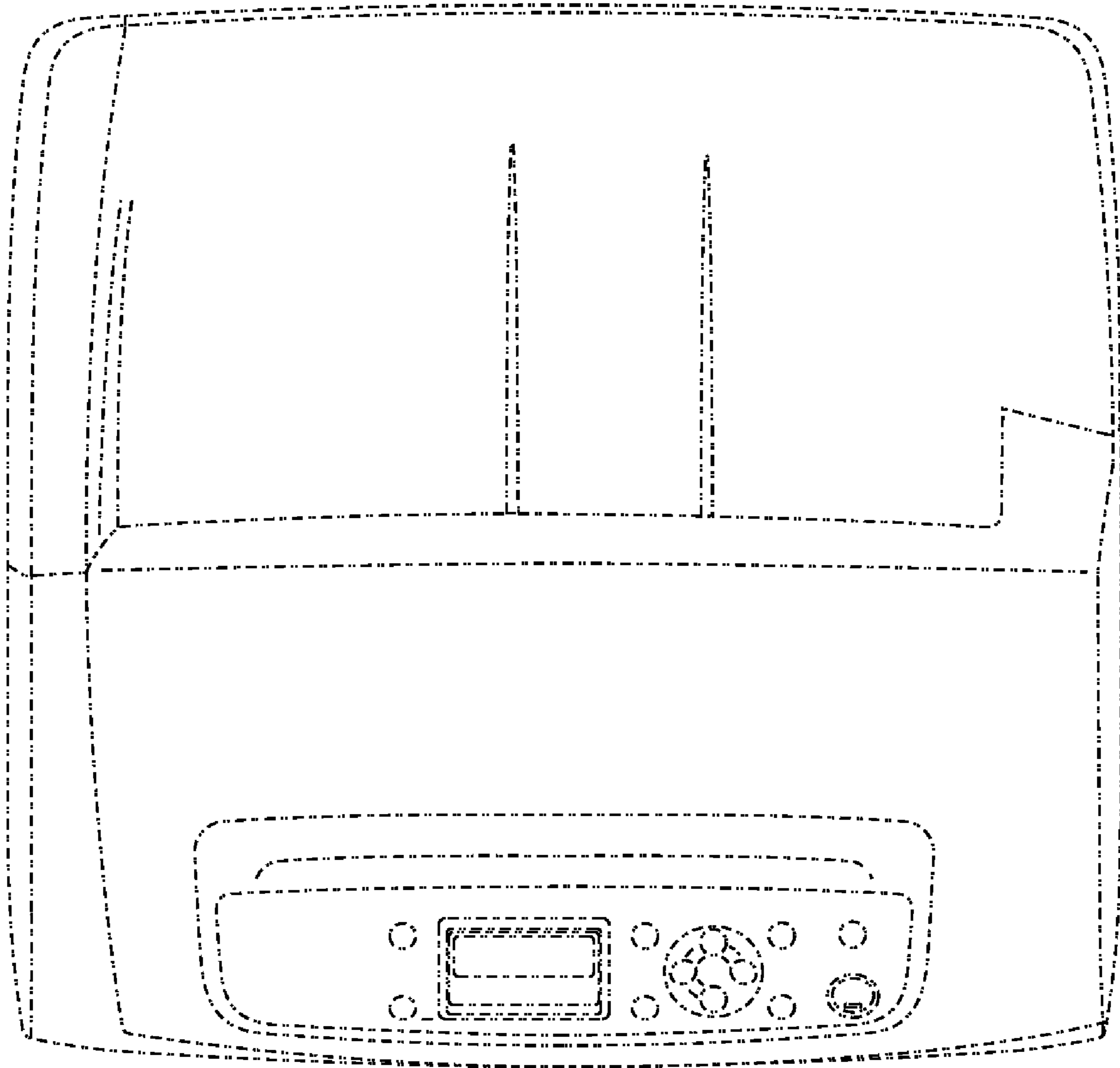
**FIG. 3**



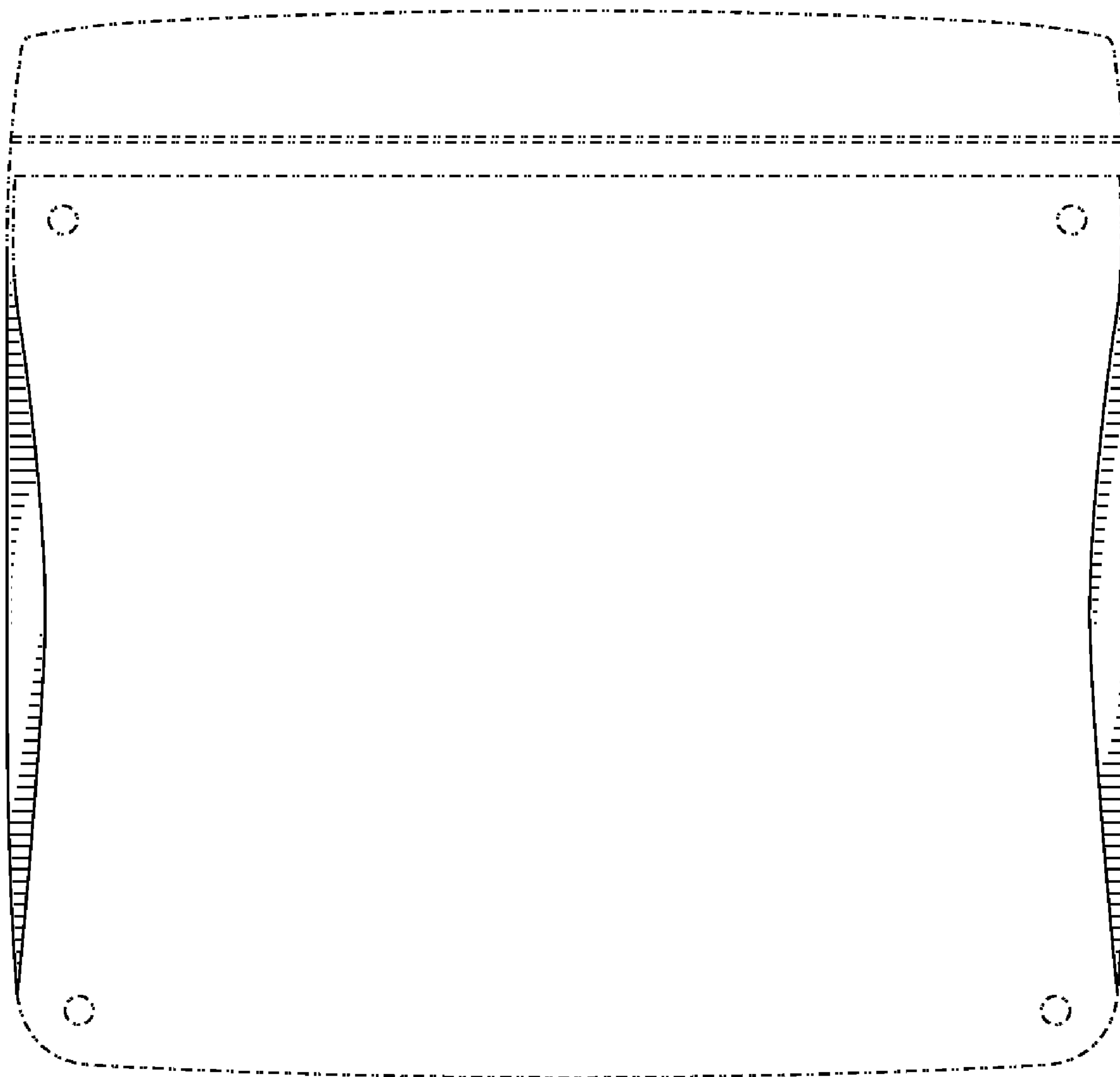
**FIG. 4**



**FIG. 5**



**FIG. 6**



**FIG. 7**