



US00D617374S

(12) **United States Design Patent**  
**Sasaki et al.**

(10) **Patent No.:** **US D617,374 S**  
(45) **Date of Patent:** **\*\* \*Jun. 8, 2010**

(54) **LASER PRINTER WITH SCANNER**

(75) Inventors: **Tomohiko Sasaki**, Tokyo (JP);  
**Kazuyoshi Yamada**, Kanagawa (JP);  
**Masato Suzuki**, Saitama (JP)

(73) Assignee: **Ricoh Company, Ltd.**, Tokyo (JP)

(\*\*) Term: **14 Years**

(21) Appl. No.: **29/305,571**

(22) Filed: **Mar. 24, 2008**

(30) **Foreign Application Priority Data**

Sep. 28, 2007 (JP) ..... 2007-026526

(51) **LOC (9) Cl.** ..... **18-02**

(52) **U.S. Cl.** ..... **D18/50**

(58) **Field of Classification Search** ..... D18/36-39,  
D18/19, 50, 54, 54.1, 55; D14/420-425,  
D14/463-470; 400/613, 613.1-613.4, 690.1-690.4,  
400/691-694

See application file for complete search history.

(56) **References Cited**

**U.S. PATENT DOCUMENTS**

D502,212 S \* 2/2005 Ishigami ..... D18/36  
D537,471 S \* 2/2007 Inoue ..... D18/41  
D556,255 S \* 11/2007 Matsumoto ..... D18/50

D556,821 S \* 12/2007 Horiguchi et al. .... D18/41  
D584,349 S \* 1/2009 Tani ..... D18/55  
2006/0171734 A1 \* 8/2006 Maeda ..... 399/81

\* cited by examiner

*Primary Examiner*—Cathy Anne MacCormac

(74) *Attorney, Agent, or Firm*—Dickstein Shapiro LLP

(57) **CLAIM**

The ornamental design for a laser printer with scanner, as shown and described.

**DESCRIPTION**

FIG. 1 is a front elevation of a laser printer with scanner according to the present invention;

FIG. 2 is a rear elevation thereof;

FIG. 3 is a top plan view thereof;

FIG. 4 is a bottom plan view thereof;

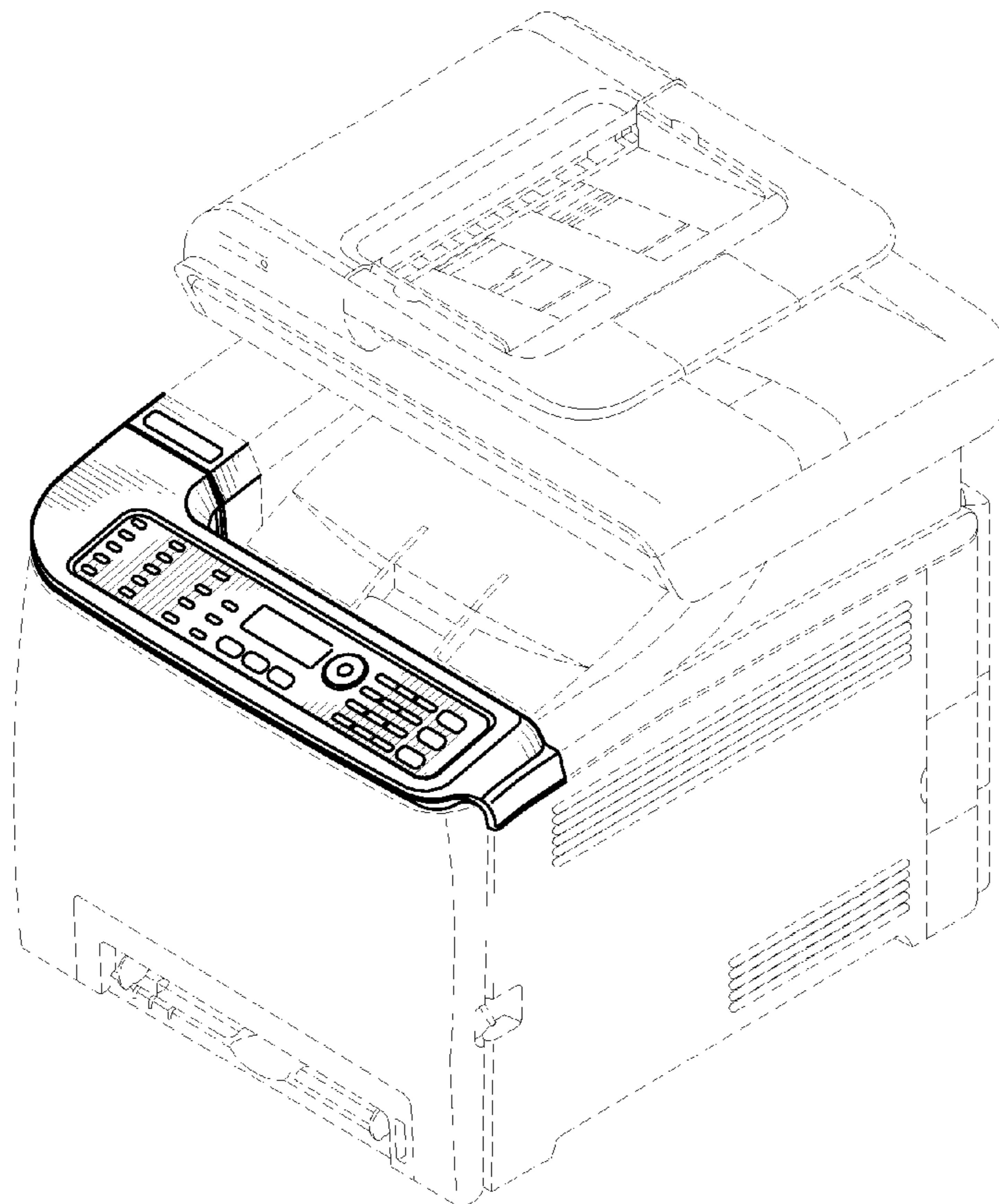
FIG. 5 is a right side elevation thereof;

FIG. 6 is a left side elevation thereof; and,

FIG. 7 is a top, front and right side perspective view thereof.

The broken lines are for illustration only and form no part of the claimed design. The dash dot dash lines represent boundary lines and are for illustration only and form no part of the claimed design.

**1 Claim, 4 Drawing Sheets**



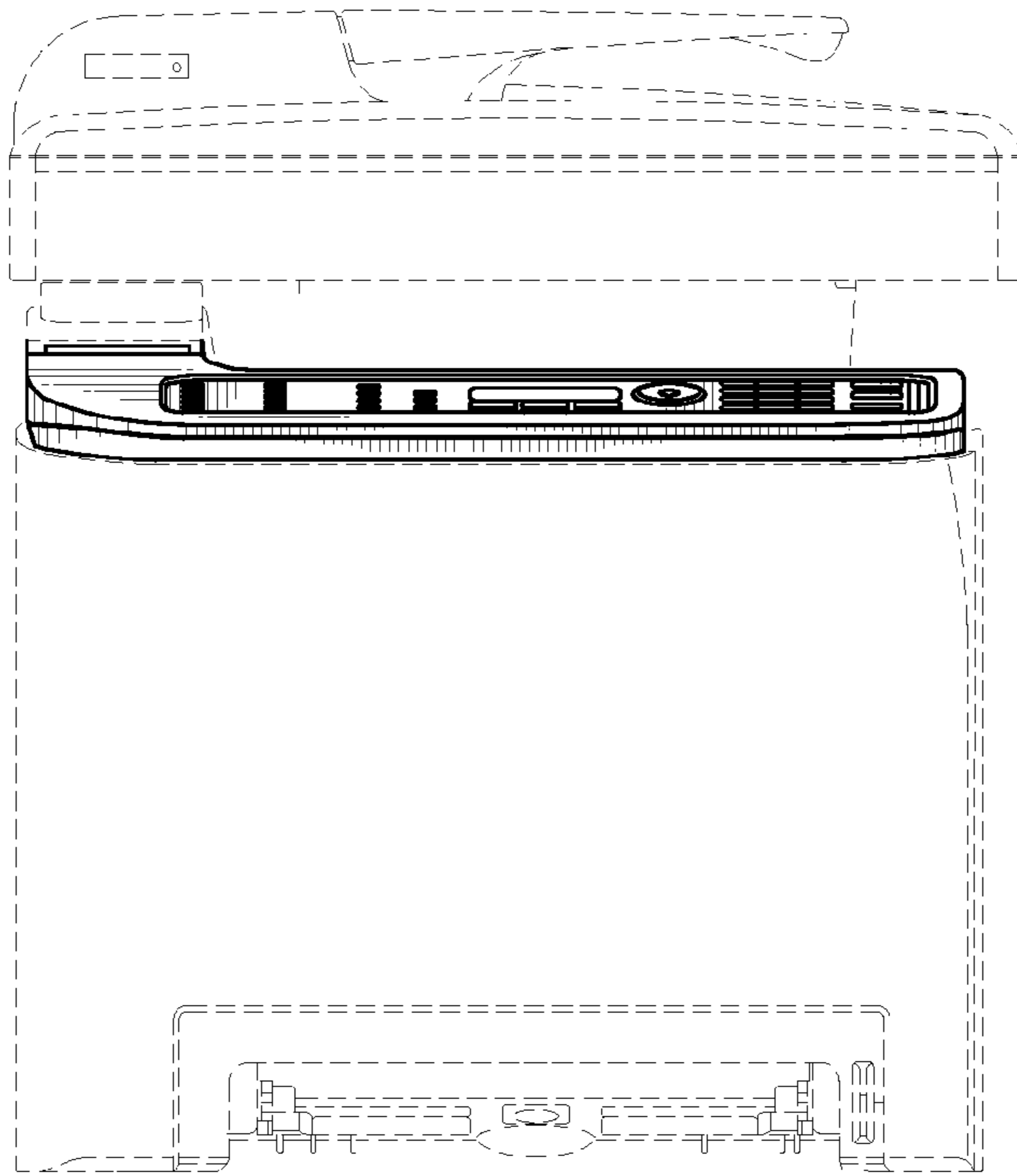


FIG. 1

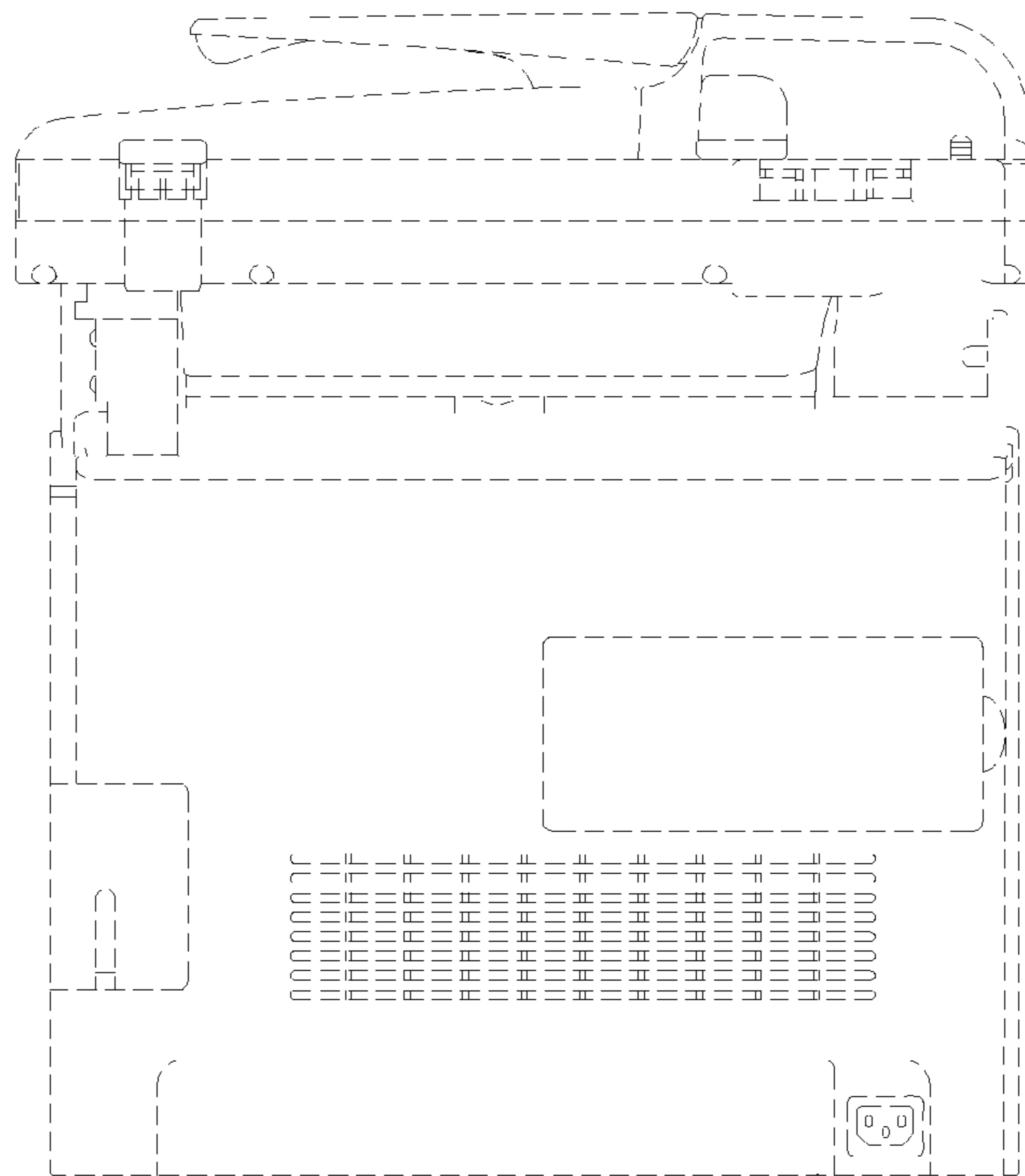


FIG. 2

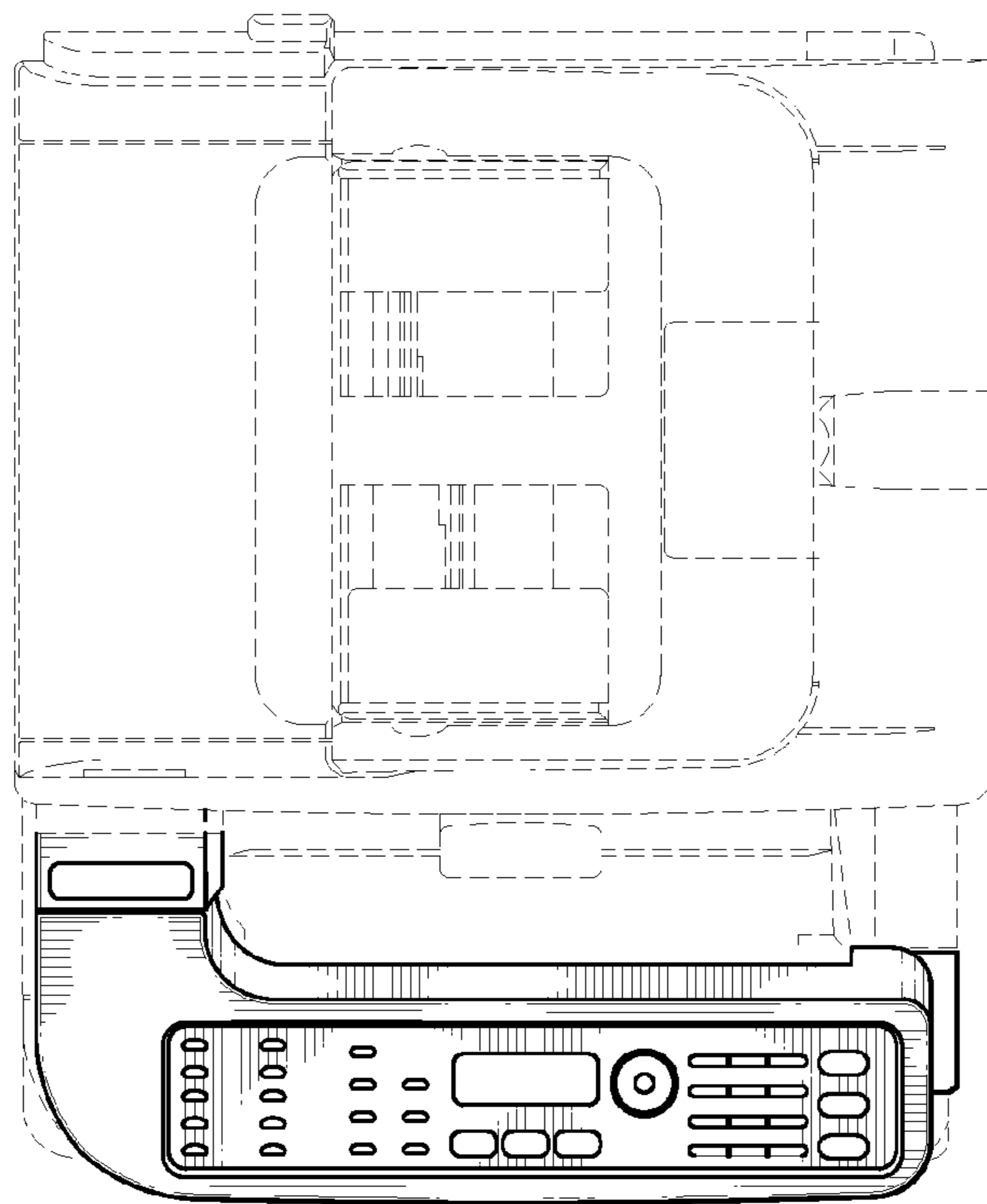


FIG. 3

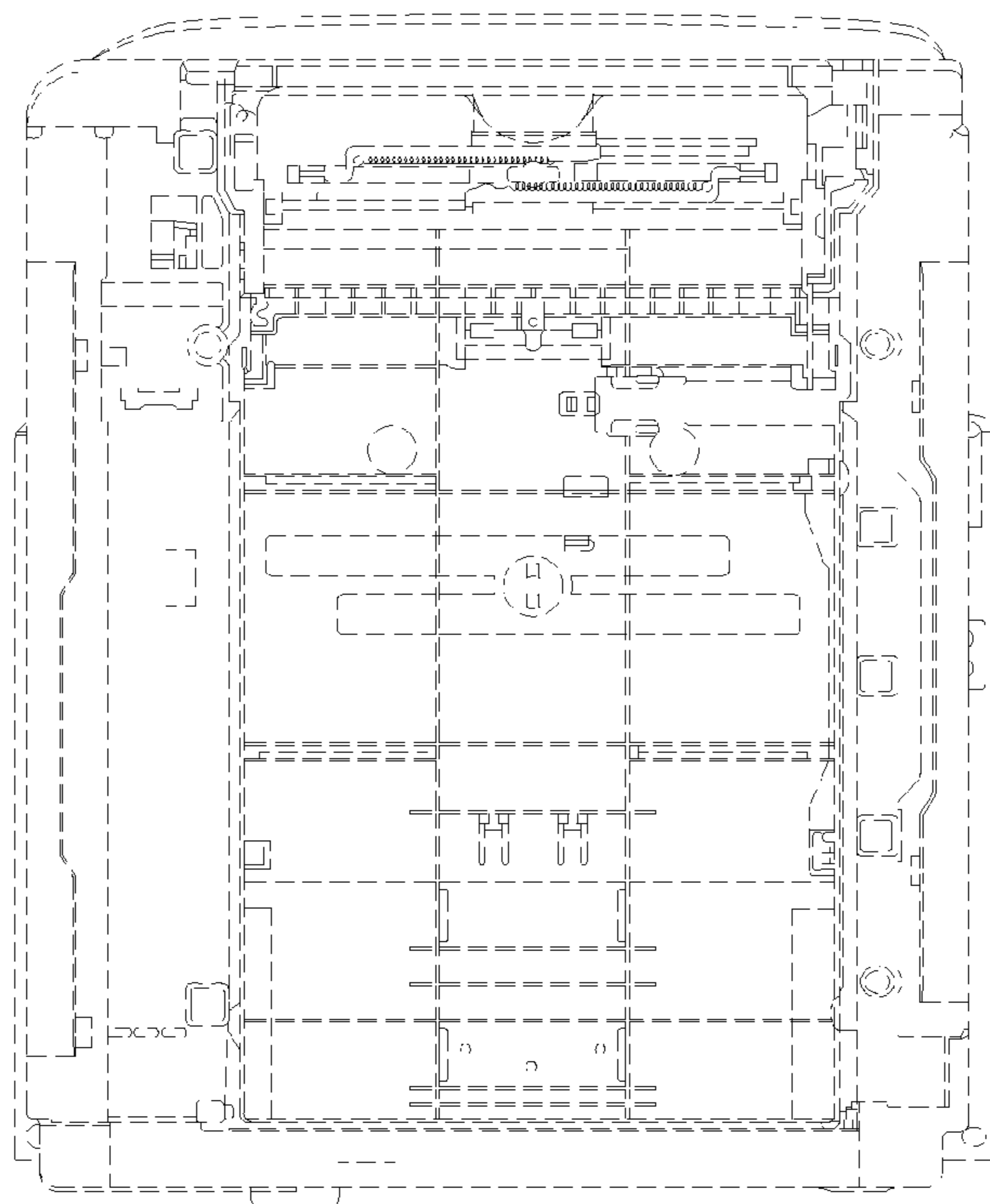


FIG. 4

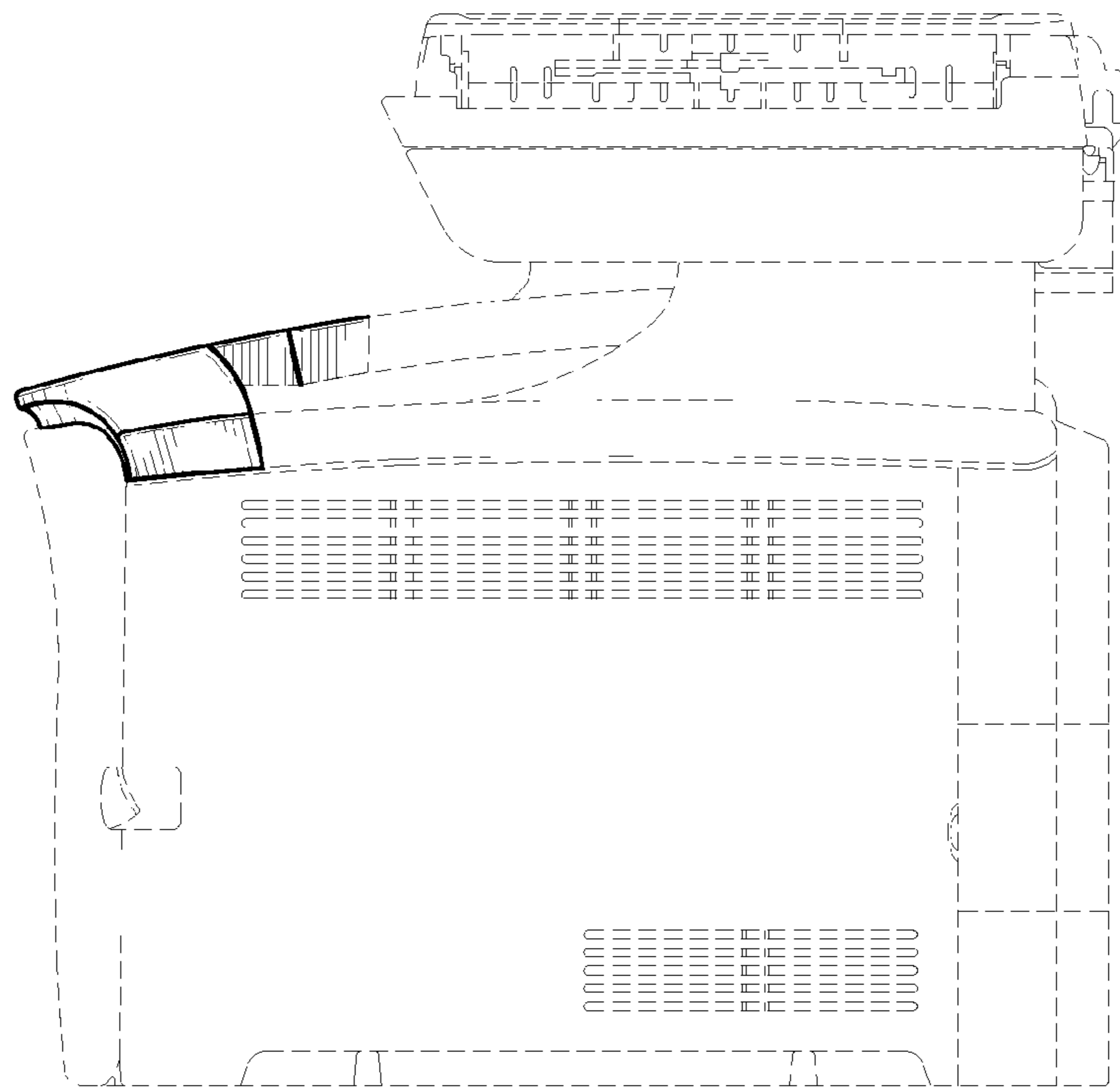


FIG. 5

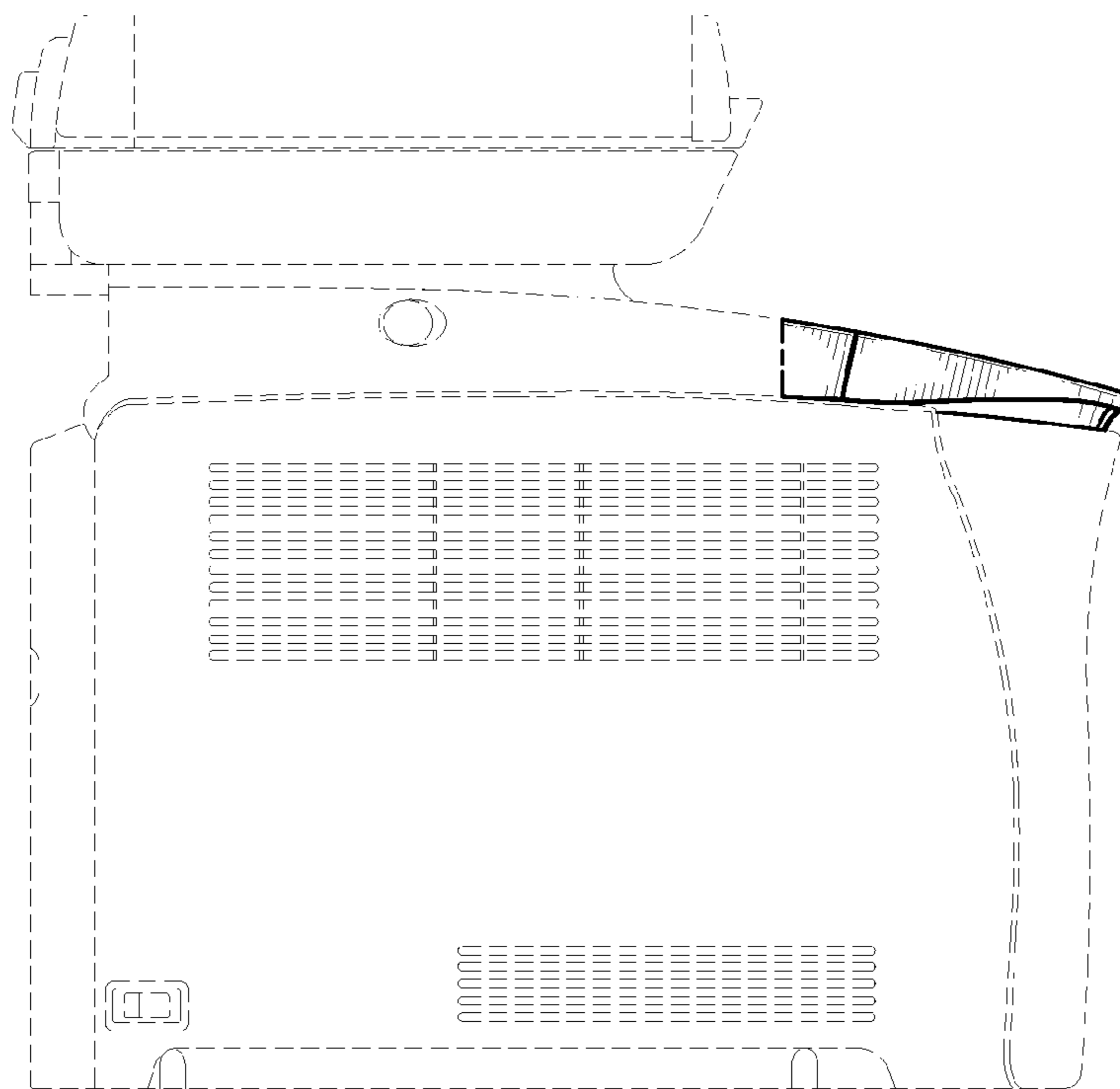


FIG. 6

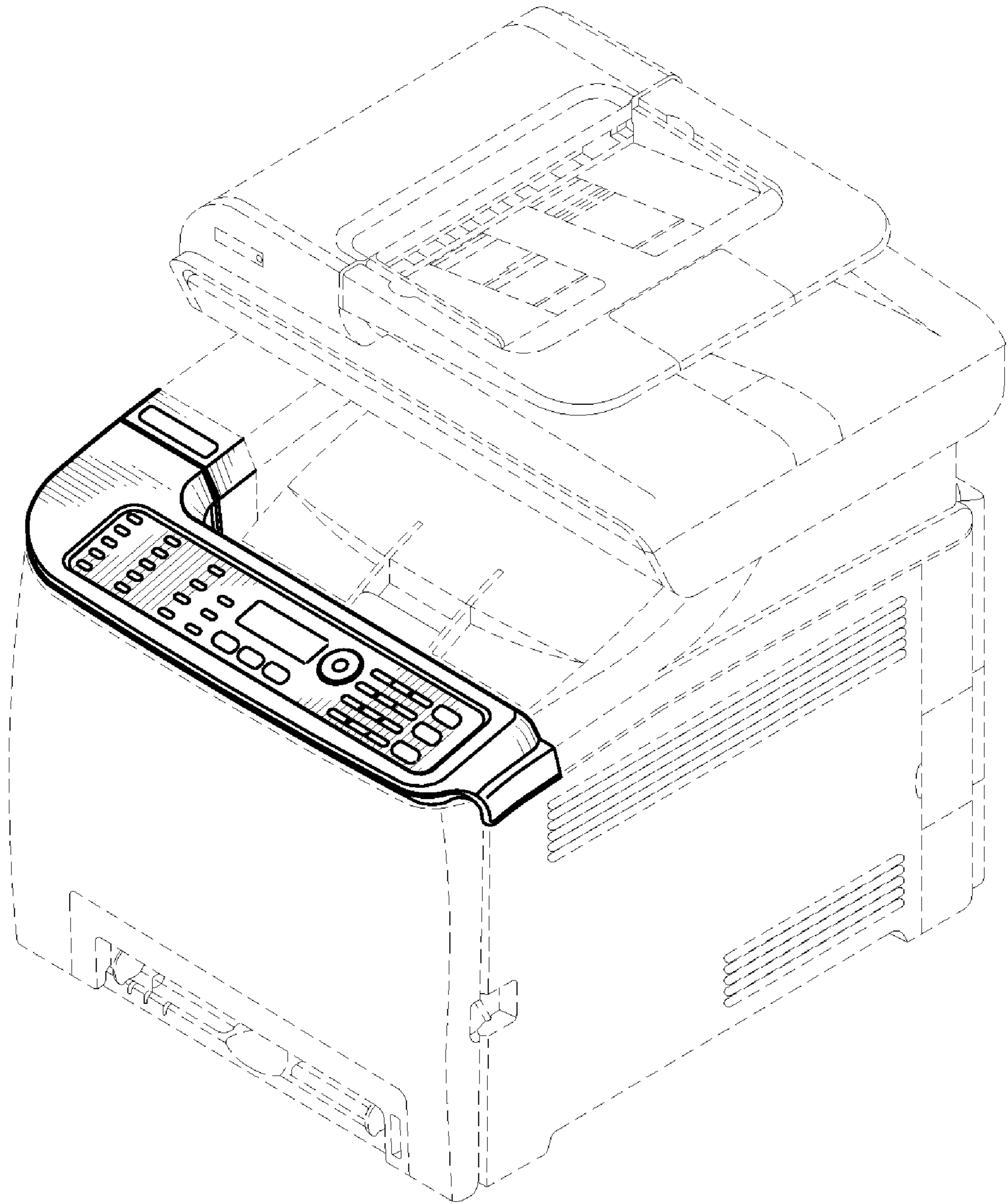


FIG. 7