



US00D617373S

(12) **United States Design Patent**  
**Yamaguchi et al.**

(10) **Patent No.:** **US D617,373 S**  
(45) **Date of Patent:** **\*\* Jun. 8, 2010**

(54) **TONER CARTRIDGE**

(75) Inventors: **Naoki Yamaguchi**, Fukuoka (JP);  
**Yoshiaki Ijima**, Fukuoka (JP)

(73) Assignee: **Panasonic Corporation**, Osaka (JP)

(\*\*) Term: **14 Years**

(21) Appl. No.: **29/329,170**

(22) Filed: **Dec. 10, 2008**

(51) **LOC (9) Cl.** ..... **16-03**

(52) **U.S. Cl.** ..... **D18/43**

(58) **Field of Classification Search** ..... D14/471;  
D18/12, 36, 40, 43, 44, 56; 222/DIG. 1;  
347/197, 222; 399/24–28, 107–112, 119,  
399/121, 122, 222–224

See application file for complete search history.

(56) **References Cited**

**U.S. PATENT DOCUMENTS**

D289,300 S	4/1987	Saito	
D298,337 S	11/1988	Iseki	
D312,269 S	11/1990	Komada et al.	
D319,842 S	9/1991	Tanda	
D333,833 S	3/1993	Yamamoto et al.	
5,204,720 A *	4/1993	Ishida et al.	399/256
D346,179 S	4/1994	Haida	
D356,108 S *	3/1995	Kondoh	D18/43
D365,846 S *	1/1996	Nishimura	D18/43
D395,668 S *	6/1998	Yasuda	D18/43
D399,871 S *	10/1998	Joroku et al.	D18/43
D418,156 S	12/1999	Maeda	
D422,302 S	4/2000	Ohashi et al.	
D424,608 S *	5/2000	Yorifuji et al.	D18/40
D450,752 S	11/2001	Ito et al.	
D451,539 S	12/2001	Ito et al.	

D478,344 S	8/2003	Kinoshita et al.	
D478,345 S	8/2003	Kinoshita et al.	
D478,617 S	8/2003	Kinoshita et al.	
D524,848 S	7/2006	Murata	
D525,289 S	7/2006	Murata	
D534,576 S *	1/2007	Hashimoto et al.	D18/43
D546,873 S *	7/2007	Otani et al.	D18/43
D552,164 S *	10/2007	Kouroku et al.	D18/43
D568,928 S	5/2008	Hori et al.	
D574,426 S	8/2008	Hori et al.	
D581,973 S *	12/2008	Yamagata et al.	D18/43
D599,847 S *	9/2009	Yasui et al.	D18/43

\* cited by examiner

*Primary Examiner*—Caron Veynar

*Assistant Examiner*—Garth Rademaker

(74) *Attorney, Agent, or Firm*—Brinks Hofer Gilson & Lione

(57) **CLAIM**

We claim the ornamental design for a toner cartridge, as shown and described.

**DESCRIPTION**

FIG. 1 is a top perspective view of a toner cartridge of the present invention;

FIG. 2 is a front view thereof;

FIG. 3 is a rear view thereof;

FIG. 4 is a first side view thereof;

FIG. 5 is a second side view thereof;

FIG. 6 is a top view thereof;

FIG. 7 is a bottom view thereof; and,

FIG. 8 is a bottom perspective view thereof.

The broken lines depict environmental subject matter only and forms no part of the claimed design.

**1 Claim, 8 Drawing Sheets**

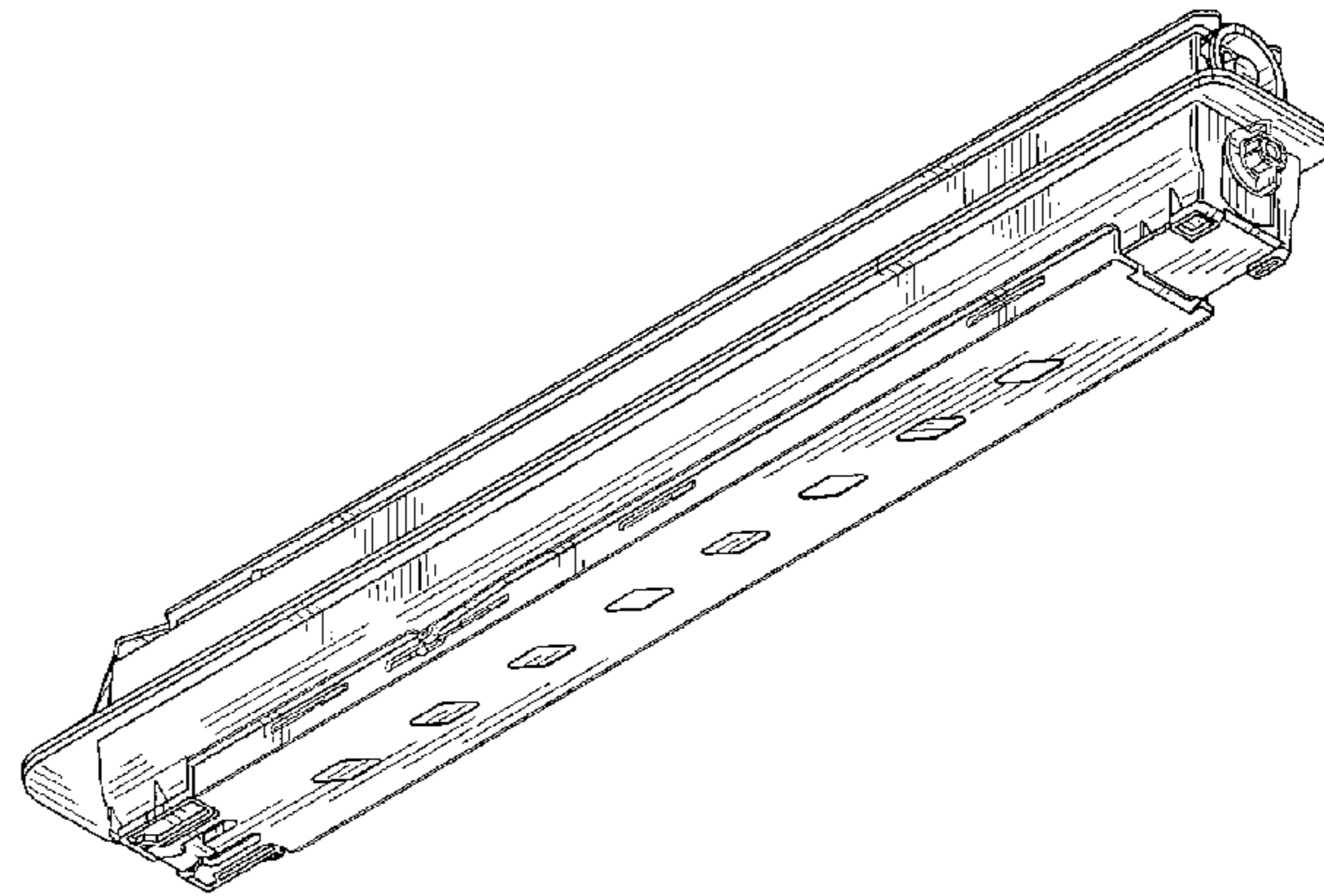
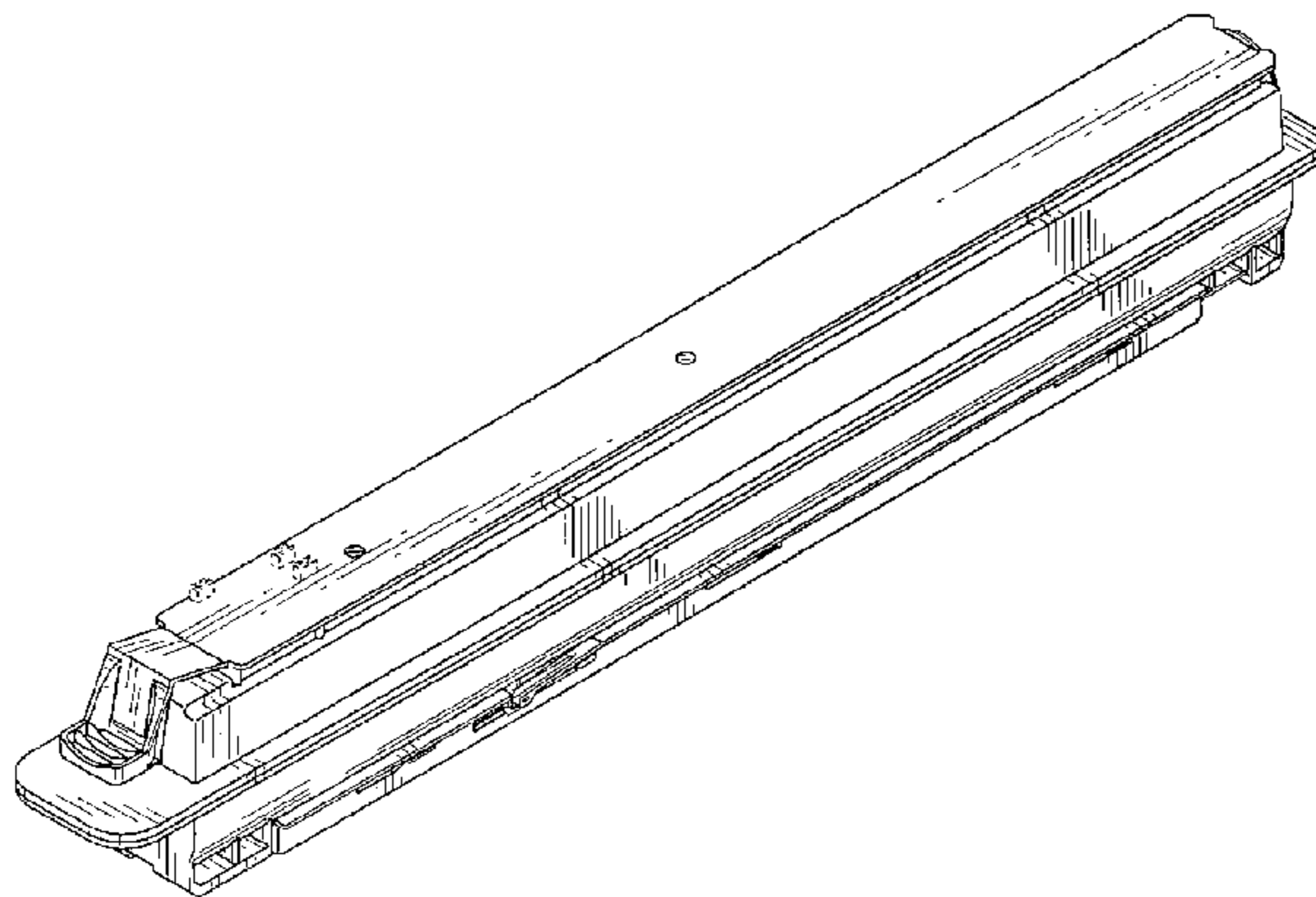


FIG.1

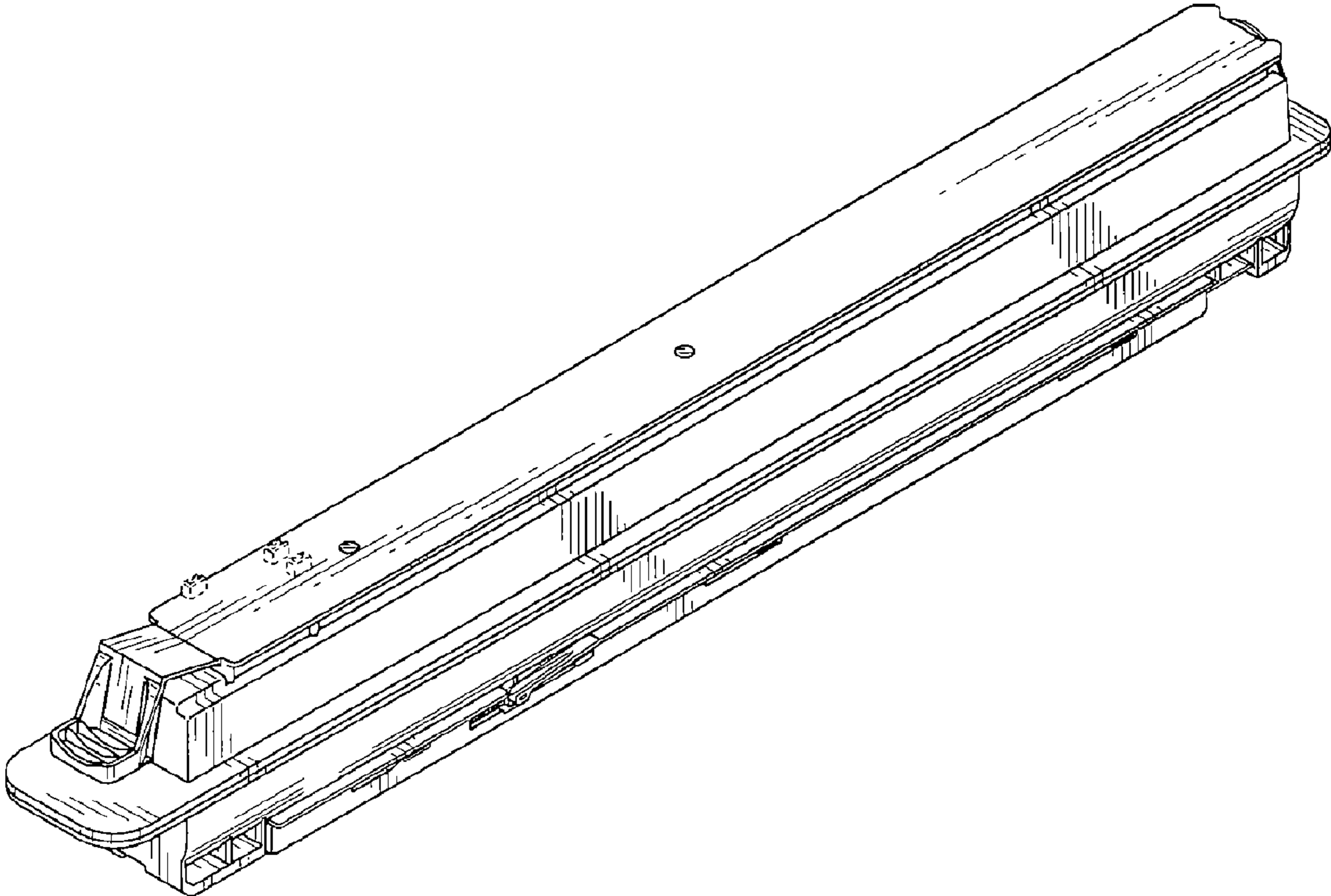


FIG.2

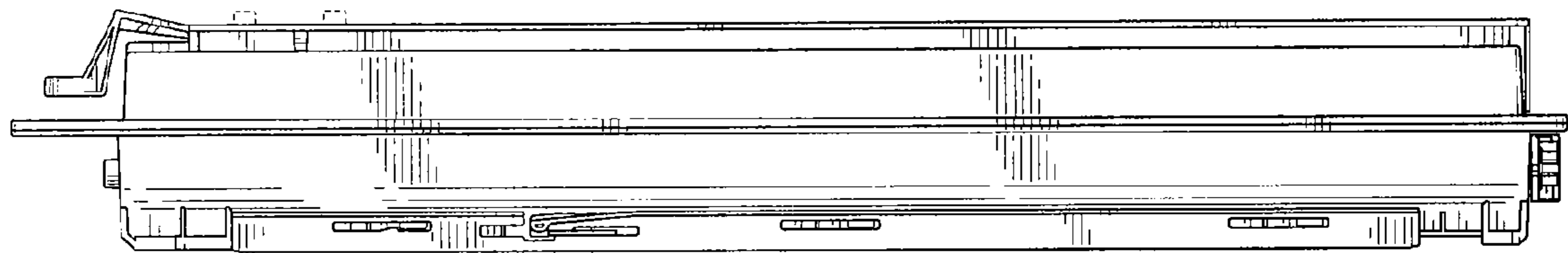
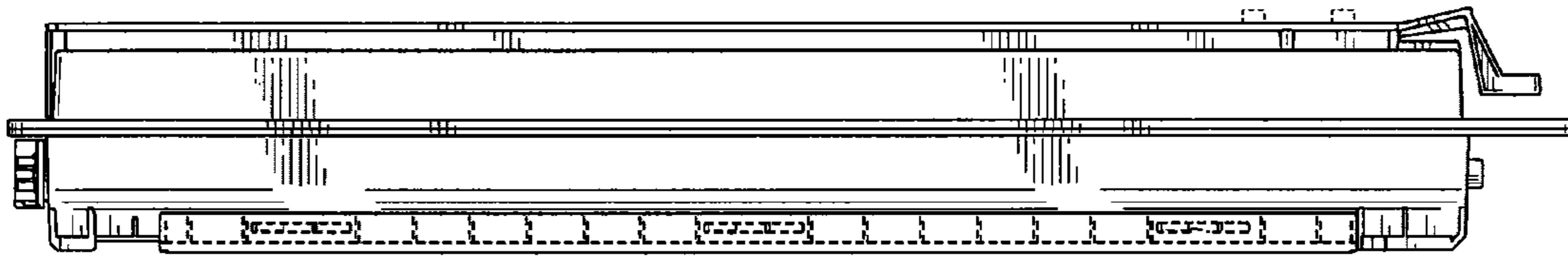
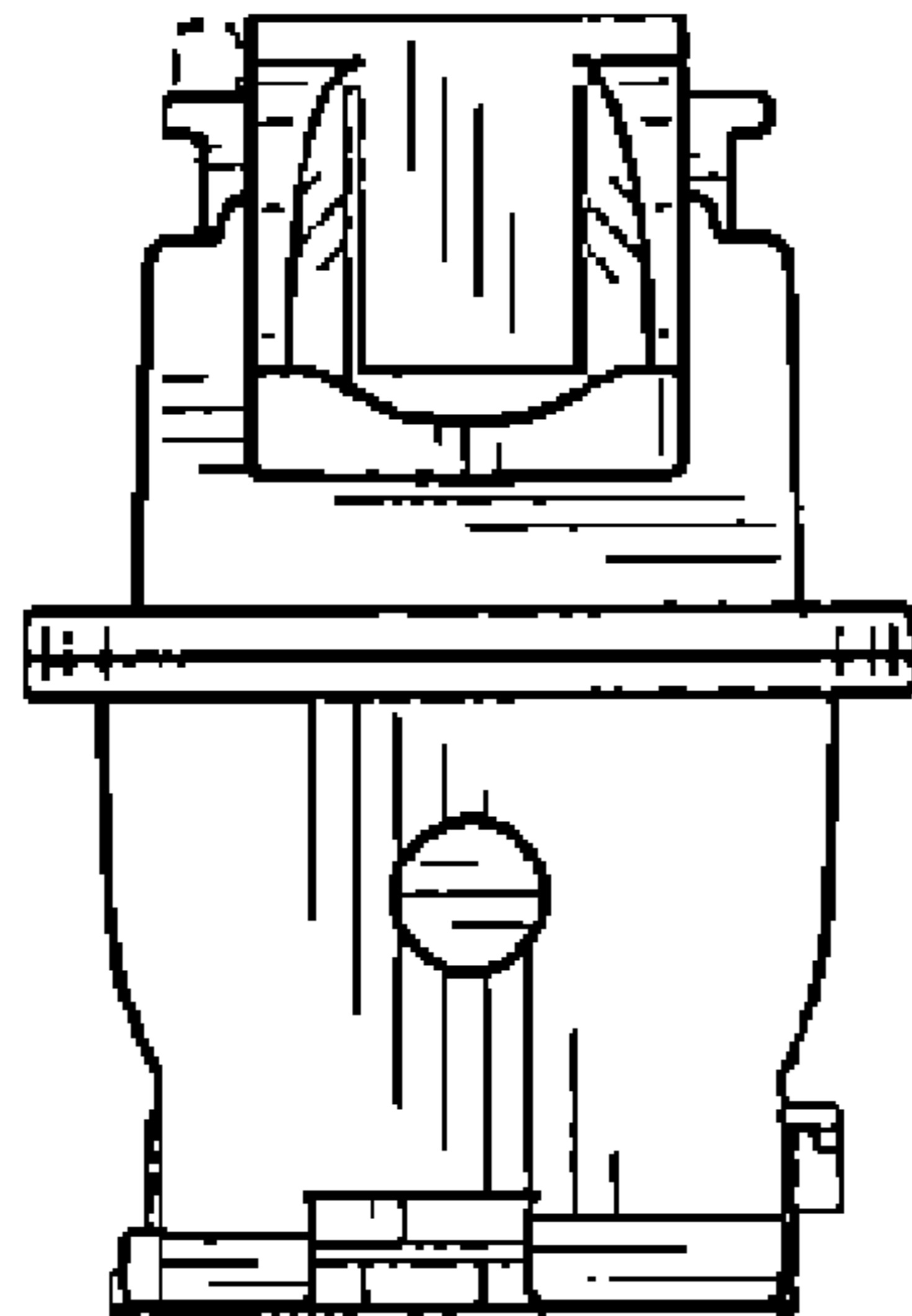


FIG.3



# FIG.4



# FIG. 5

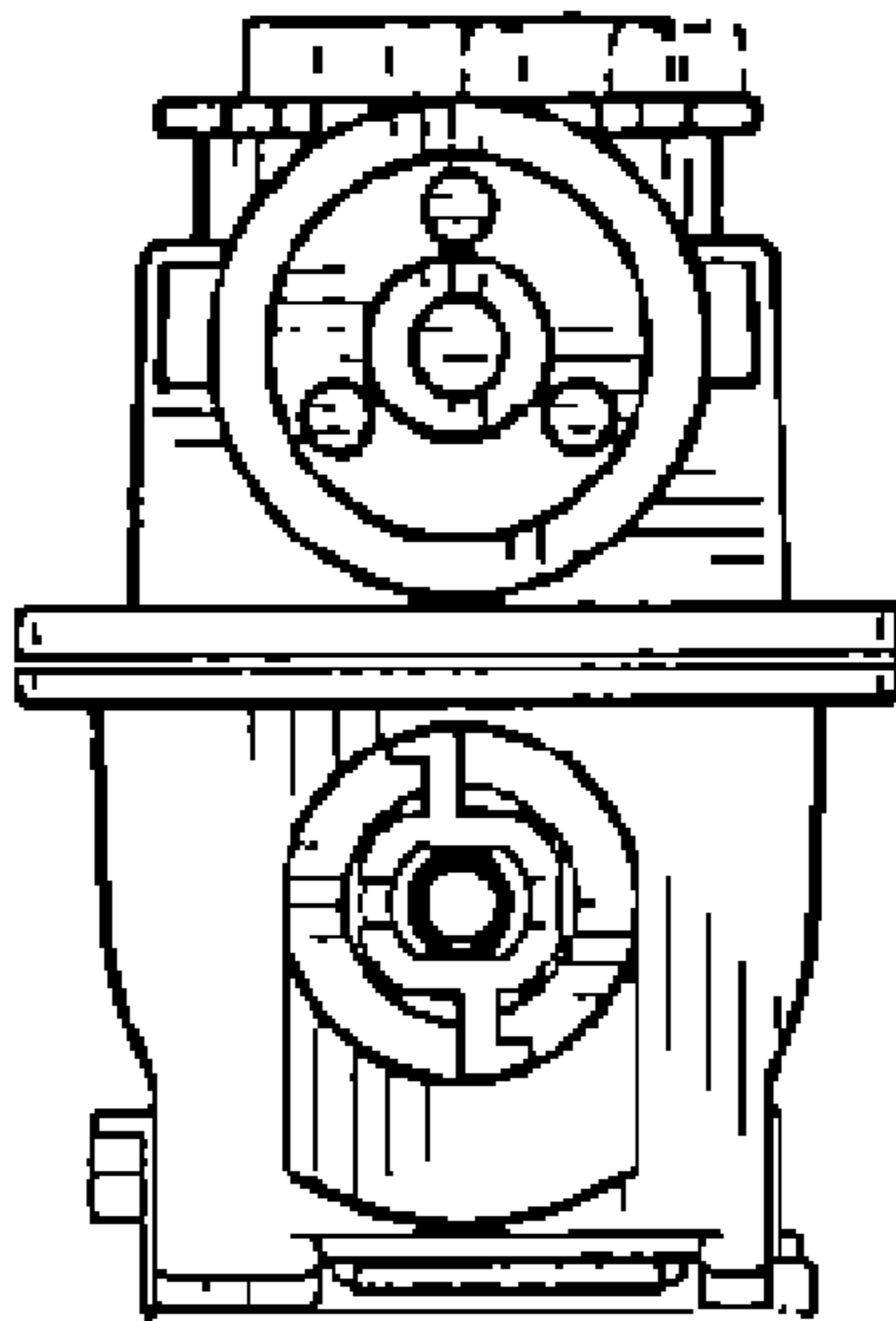


FIG.6

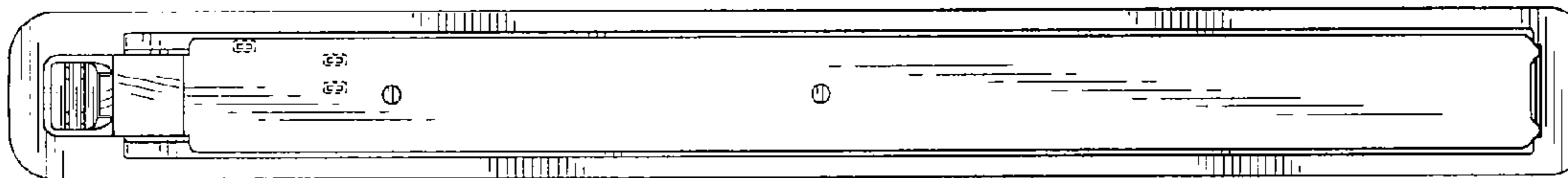


FIG.7

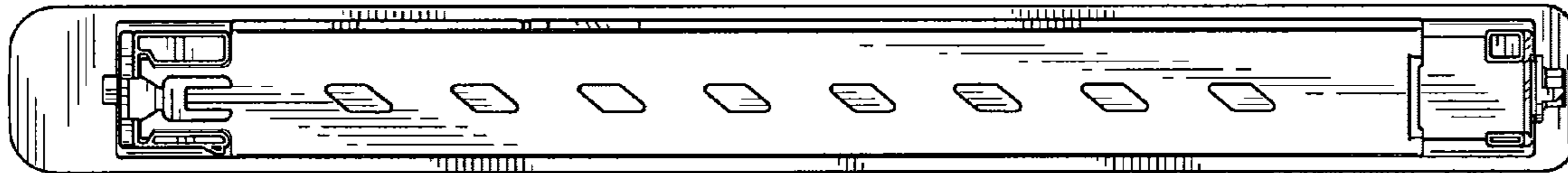




FIG.8

