



US00D617372S

(12) **United States Design Patent**
Victor

(10) **Patent No.:** **US D617,372 S**
(45) **Date of Patent:** **** Jun. 8, 2010**

(54) **PORTION OF TONER CARTRIDGE**

(75) Inventor: **David Victor**, Mitchell, SD (US)

(73) Assignee: **Toshiba Tec Kabushiki Kaisha** (JP)

(**) Term: **14 Years**

(21) Appl. No.: **29/312,088**

(22) Filed: **Sep. 29, 2008**

(51) **LOC (9) Cl.** **16-03**

(52) **U.S. Cl.** **D18/43**

(58) **Field of Classification Search** D14/471;
D18/12, 36, 40, 43, 44, 56; 222/DIG. 1;
347/197, 222; 399/24–28, 107–112, 119,
399/121, 122, 222–224

See application file for complete search history.

(56) **References Cited**

U.S. PATENT DOCUMENTS

D422,303 S *	4/2000	Takeuchi et al.	D18/43
D477,357 S *	7/2003	Nakajima et al.	D18/43
D523,066 S *	6/2006	Kimura et al.	D18/43
D524,850 S *	7/2006	Hashimoto et al.	D18/43
D550,764 S *	9/2007	Ishikawa et al.	D18/43
D559,895 S *	1/2008	Sato	D18/43
D562,882 S *	2/2008	Hatanaka	D18/43
D574,038 S *	7/2008	Sakabe	D18/43
D576,668 S *	9/2008	Okino et al.	D18/43
D585,484 S *	1/2009	Tanaka	D18/43
D585,485 S *	1/2009	Tanaka	D18/43
D590,437 S *	4/2009	Tanaka	D18/43

D590,438 S * 4/2009 Tanaka D18/43

* cited by examiner

Primary Examiner—Caron Veynar

Assistant Examiner—Garth Rademaker

(74) *Attorney, Agent, or Firm*—Harness, Dickey & Pierce, P.L.C.

(57) **CLAIM**

The ornamental design for a portion of toner cartridge, as shown and described.

DESCRIPTION

FIG. 1 is a front, top and left side perspective view of a portion of toner cartridge, showing my new design;

FIG. 2 is a rear, top and right side perspective view thereof;

FIG. 3 is a rear, top and left side perspective view thereof;

FIG. 4 is a rear, bottom and right side perspective view thereof;

FIG. 5 is a front view thereof;

FIG. 6 is a rear view thereof;

FIG. 7 is a top view thereof;

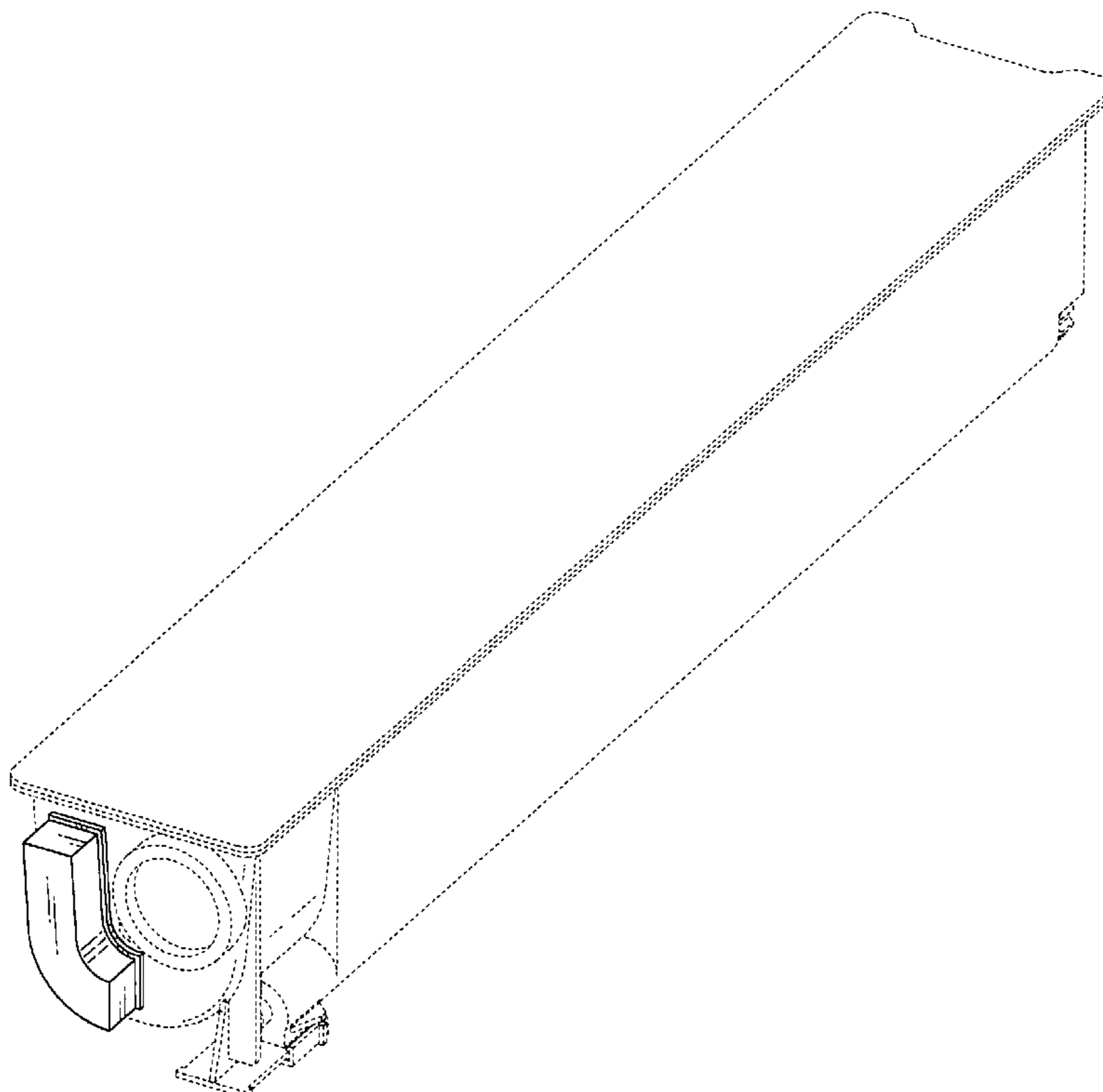
FIG. 8 is a bottom view thereof;

FIG. 9 is an enlarged left side view thereof; and,

FIG. 10 is an enlarged right side view thereof.

The broken lines are for illustrative purposes only and form no part of the claimed design.

1 Claim, 7 Drawing Sheets



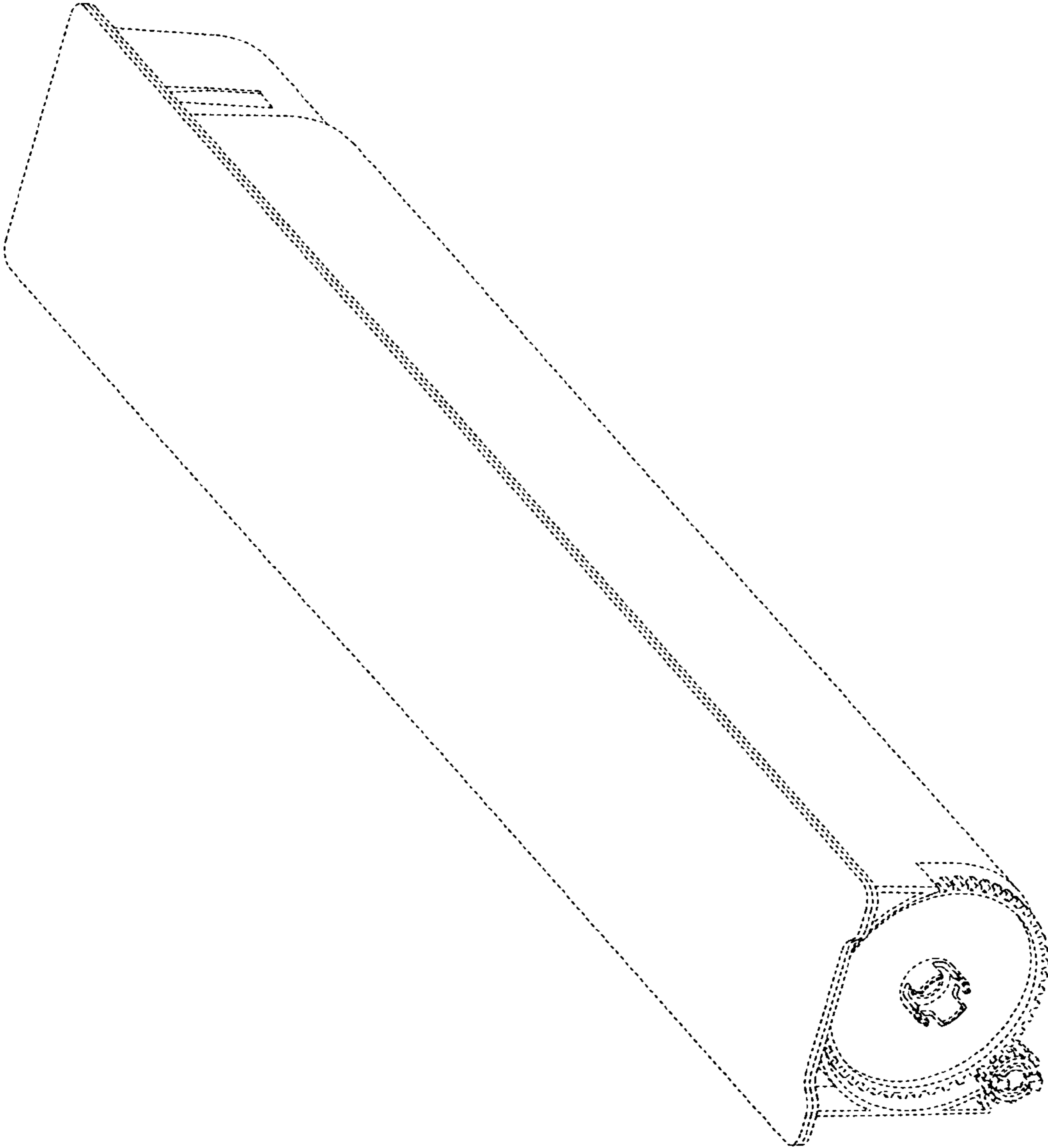


FIG.1

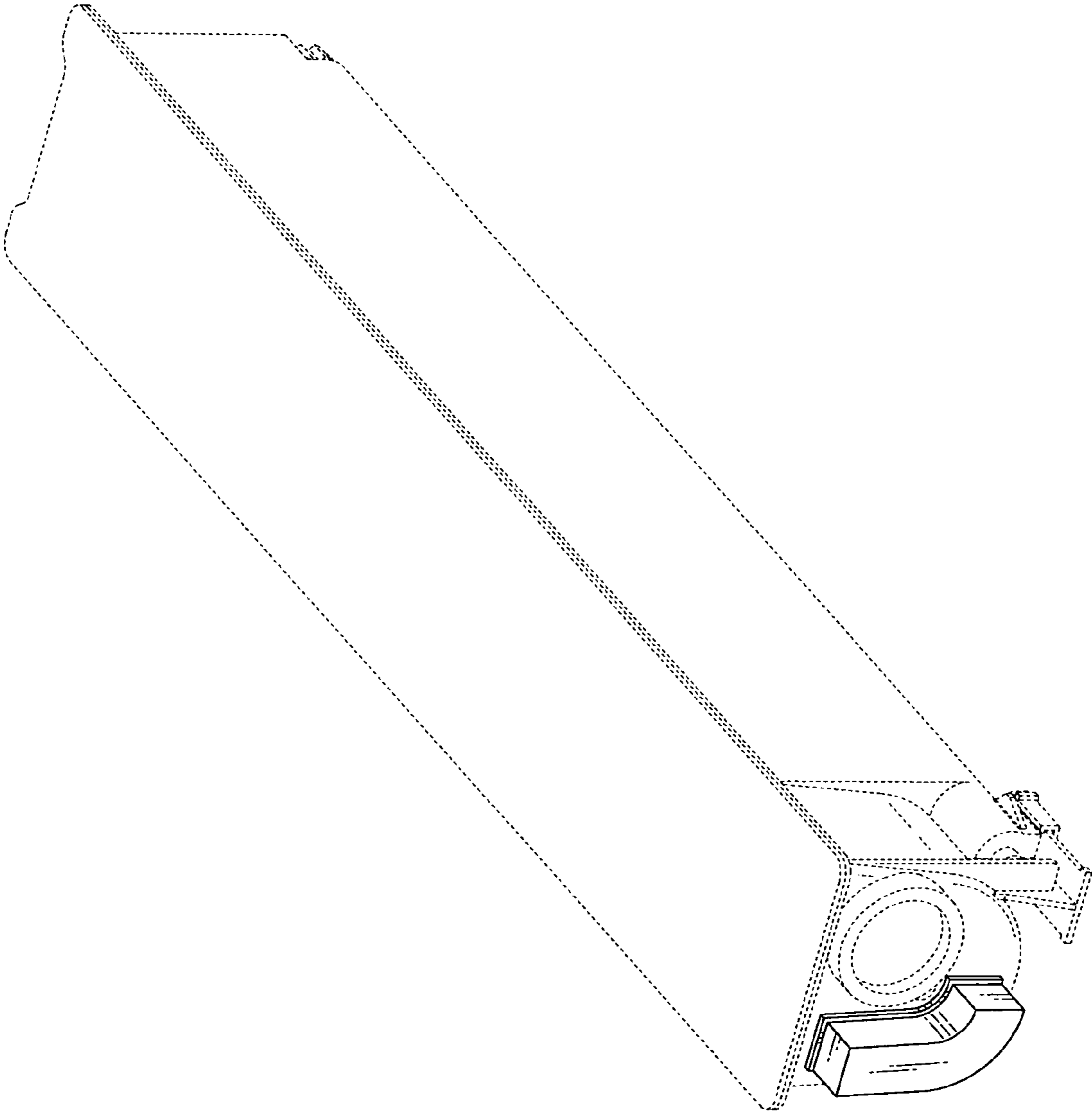


FIG.2

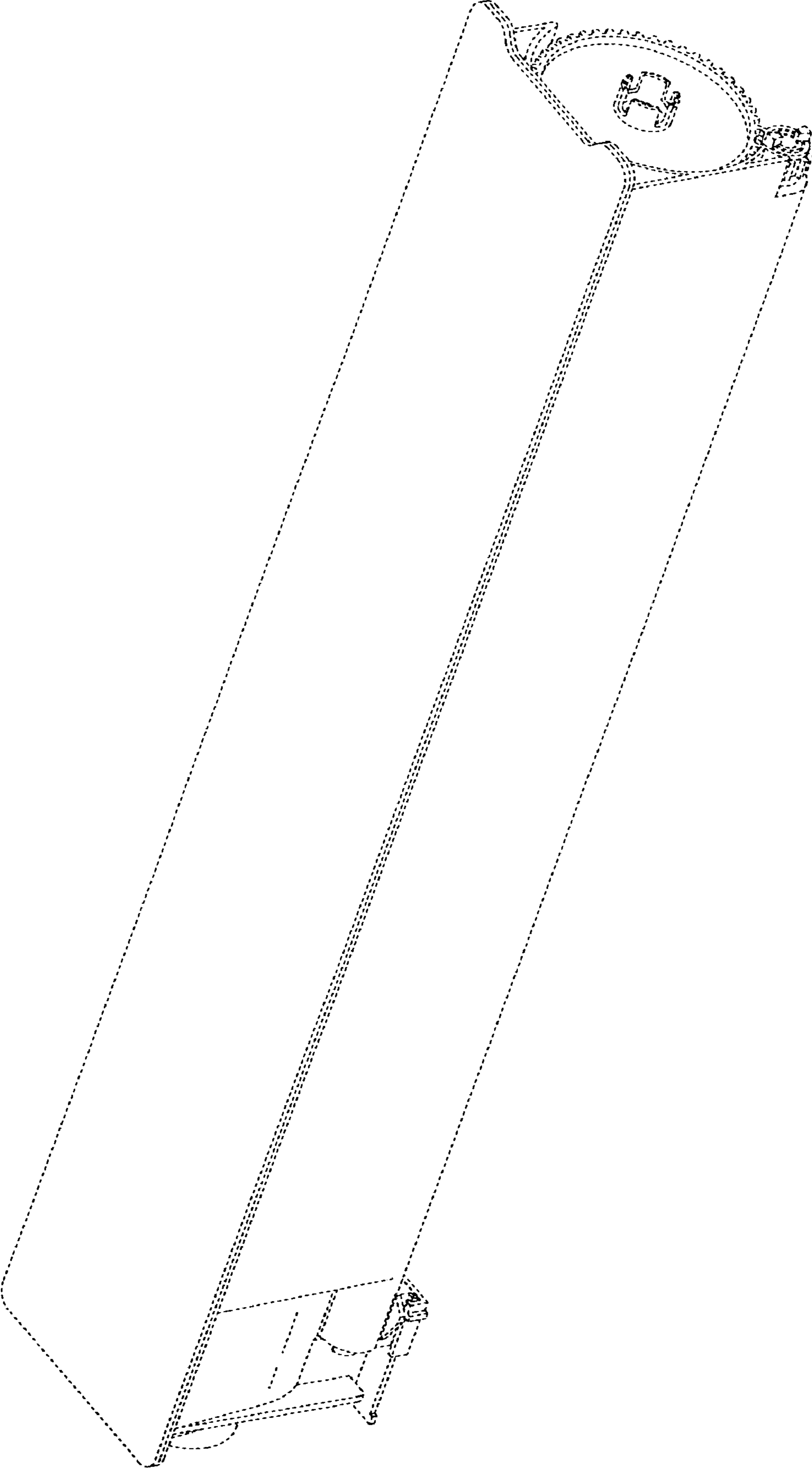


FIG.3

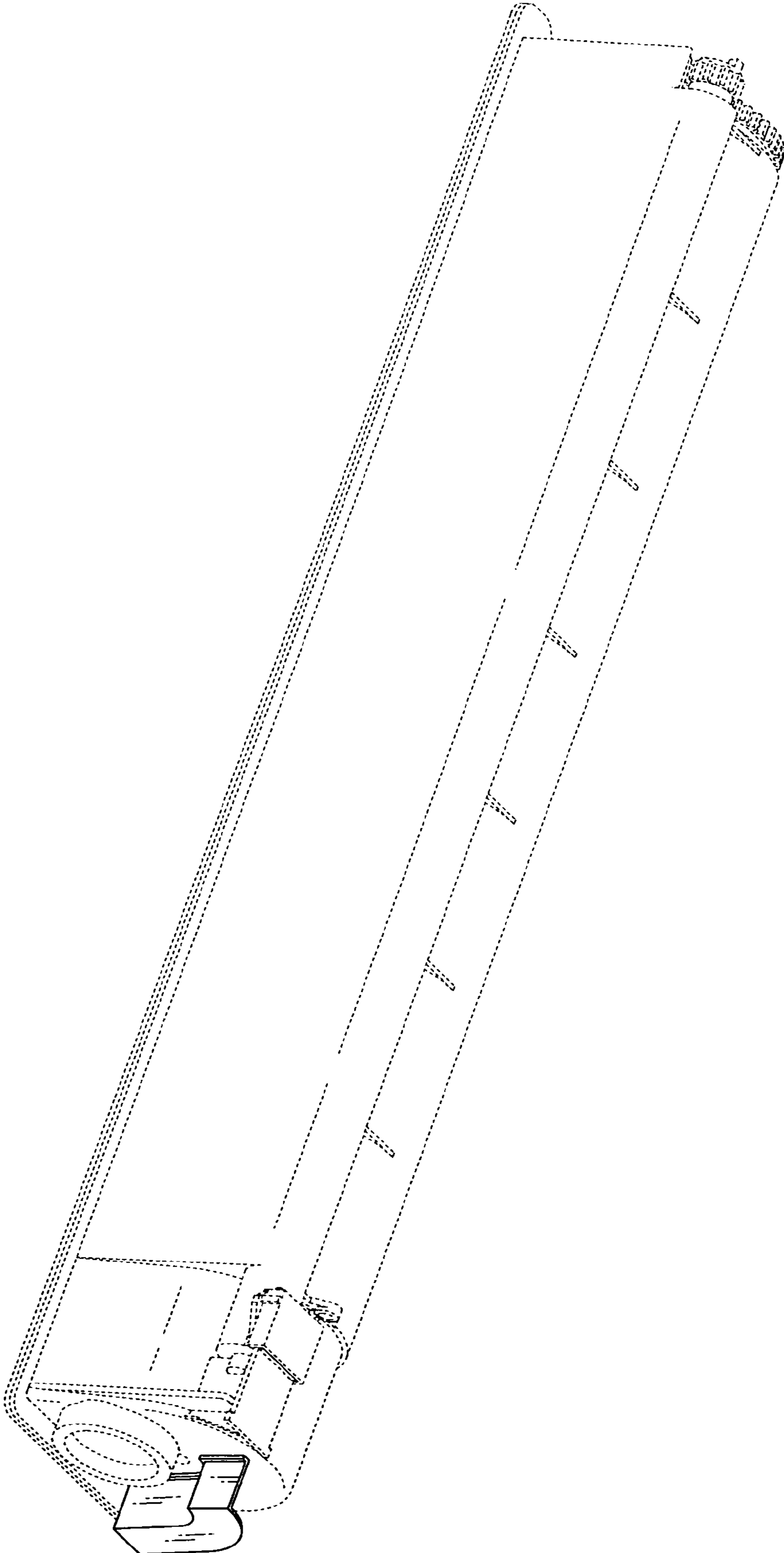


FIG.4

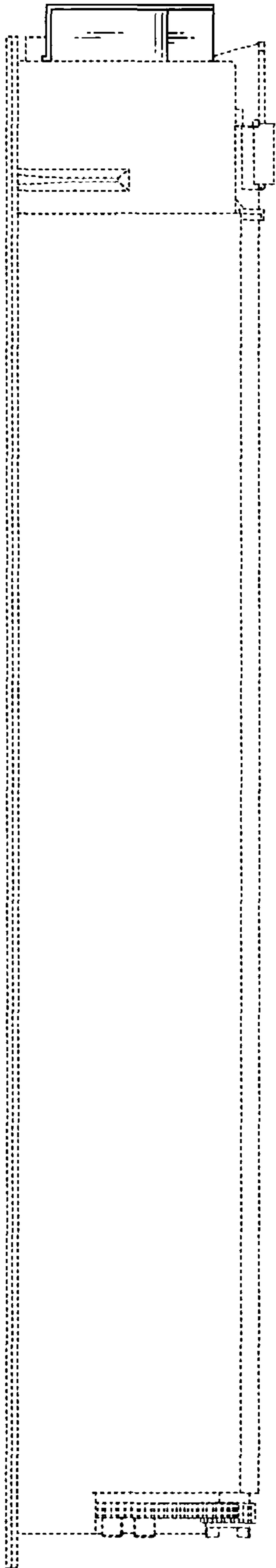


FIG. 5

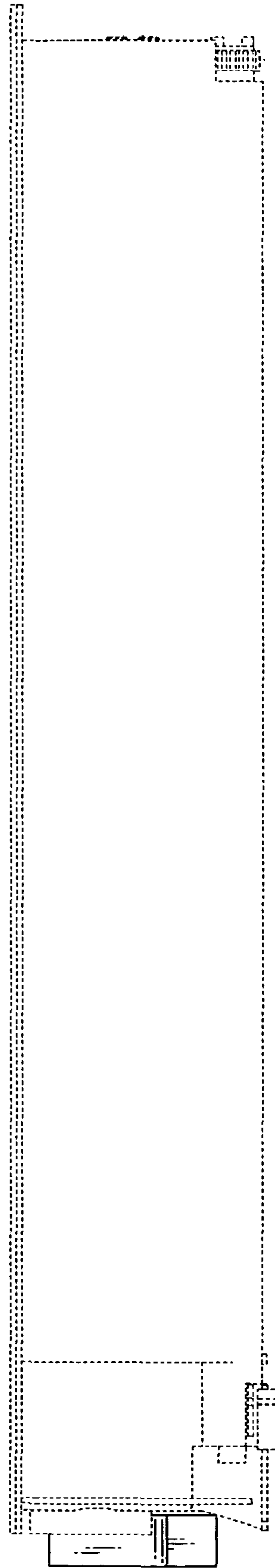


FIG. 6

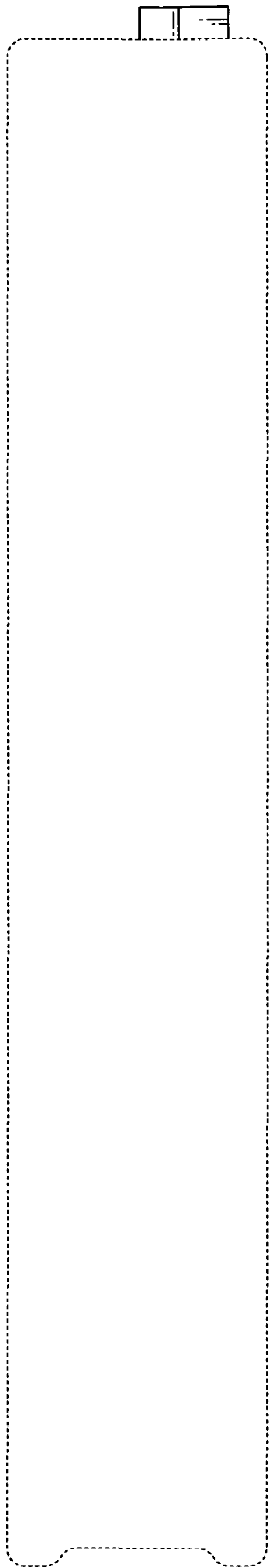


FIG. 7

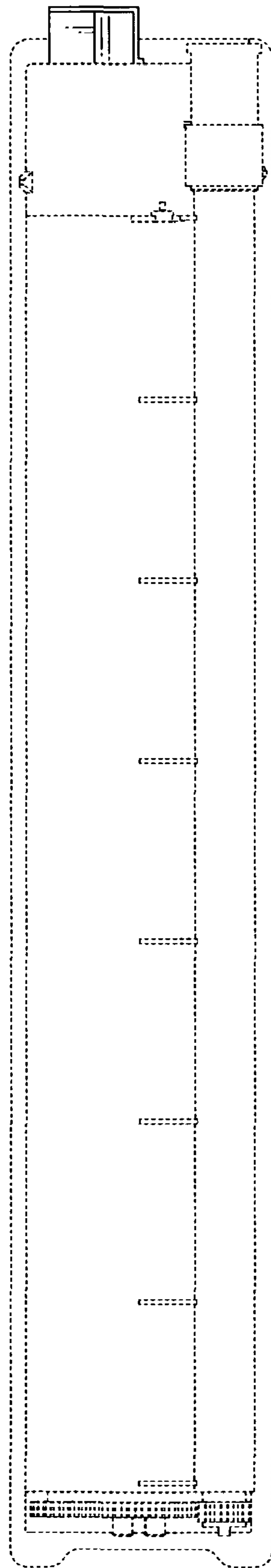


FIG. 8

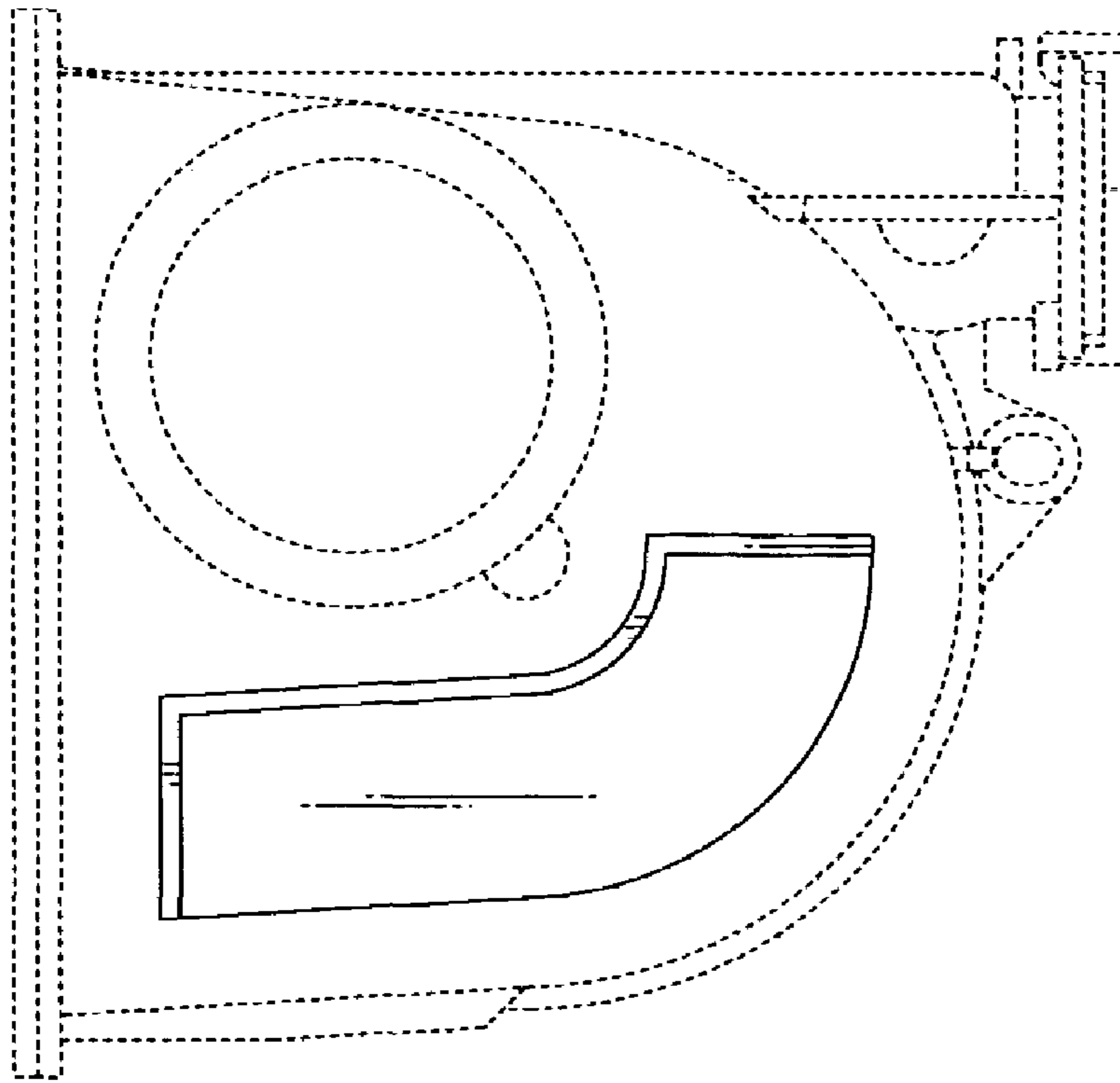


FIG.10

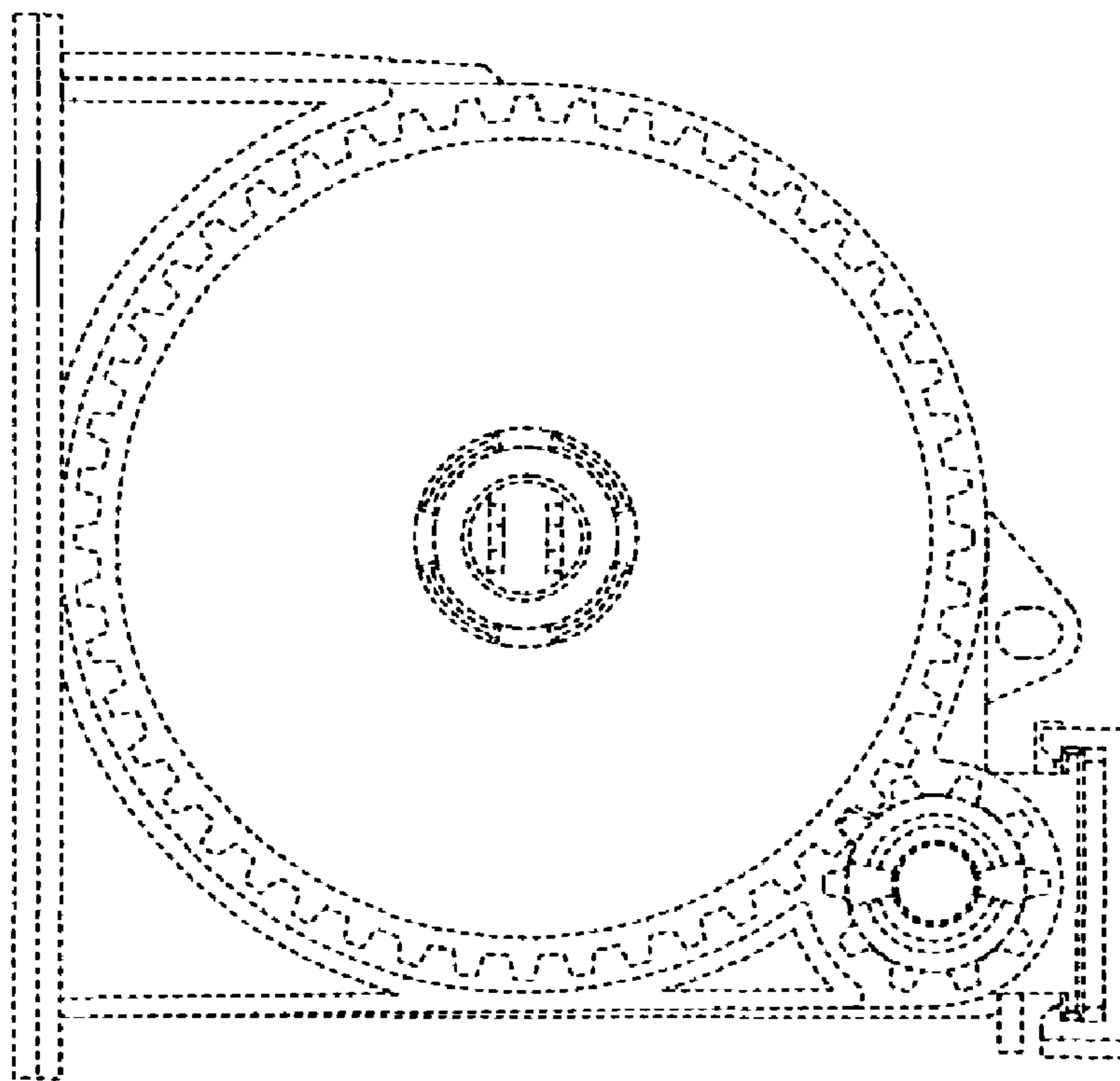


FIG.9