



US00D617371S

(12) **United States Design Patent**  
**Brown et al.**

(10) **Patent No.:** **US D617,371 S**  
(45) **Date of Patent:** **\*\* Jun. 8, 2010**

(54) **VERTICAL USER INTERFACE FOR AN OFFICE MACHINE**

(75) Inventors: **Donald A. Brown**, Honeoye Falls, NY (US); **Hiroshi Nakada**, Ebina (JP)

(73) Assignee: **Xerox Corporation**, Norwalk, CT (US)

(\*\*) Term: **14 Years**

(21) Appl. No.: **29/327,354**

(22) Filed: **Nov. 4, 2008**

(51) **LOC (9) Cl.** ..... **16-03**

(52) **U.S. Cl.** ..... **D18/41**

(58) **Field of Classification Search** ..... D14/341-346, D14/371-380; D18/36-41, 44-56; 222/DIG. 1; 271/3.14, 8.1, 226, 278; 355/97, 98; 358/1.1; 399/1-7, 16, 75, 81, 107, 130, 155, 361, 399/365, 381-383, 388

See application file for complete search history.

(56) **References Cited**

**U.S. PATENT DOCUMENTS**

- D364,389 S \* 11/1995 Shimizu ..... D18/40
- D425,109 S \* 5/2000 Brown et al. .... D18/41
- D430,596 S \* 9/2000 Shiozaki et al. .... D18/54
- D450,082 S \* 11/2001 Kusanagi et al. .... D18/53
- D458,958 S \* 6/2002 Agata ..... D18/39
- D512,421 S \* 12/2005 Brown et al. .... D14/341
- D515,083 S \* 2/2006 Brown et al. .... D14/341

- D552,670 S \* 10/2007 Watanabe et al. .... D18/40
- D577,060 S \* 9/2008 Isogai et al. .... D18/41
- D588,188 S \* 3/2009 Minakawa et al. .... D18/39
- 2009/0136255 A1 \* 5/2009 Takuwa ..... 399/107

\* cited by examiner

*Primary Examiner*—Caron Veynar

*Assistant Examiner*—Garth Rademaker

(74) *Attorney, Agent, or Firm*—Tallam I. Nguti

(57) **CLAIM**

The ornamental design for a vertical user interface for an office machine, as shown and described.

**DESCRIPTION**

FIG. 1 is a perspective view of a vertical user interface for an office machine showing the ornamental design in accordance with the present invention;

FIG. 2 is a front view thereof;

FIG. 3 is a right side view thereof;

FIG. 4 is a rear view thereof;

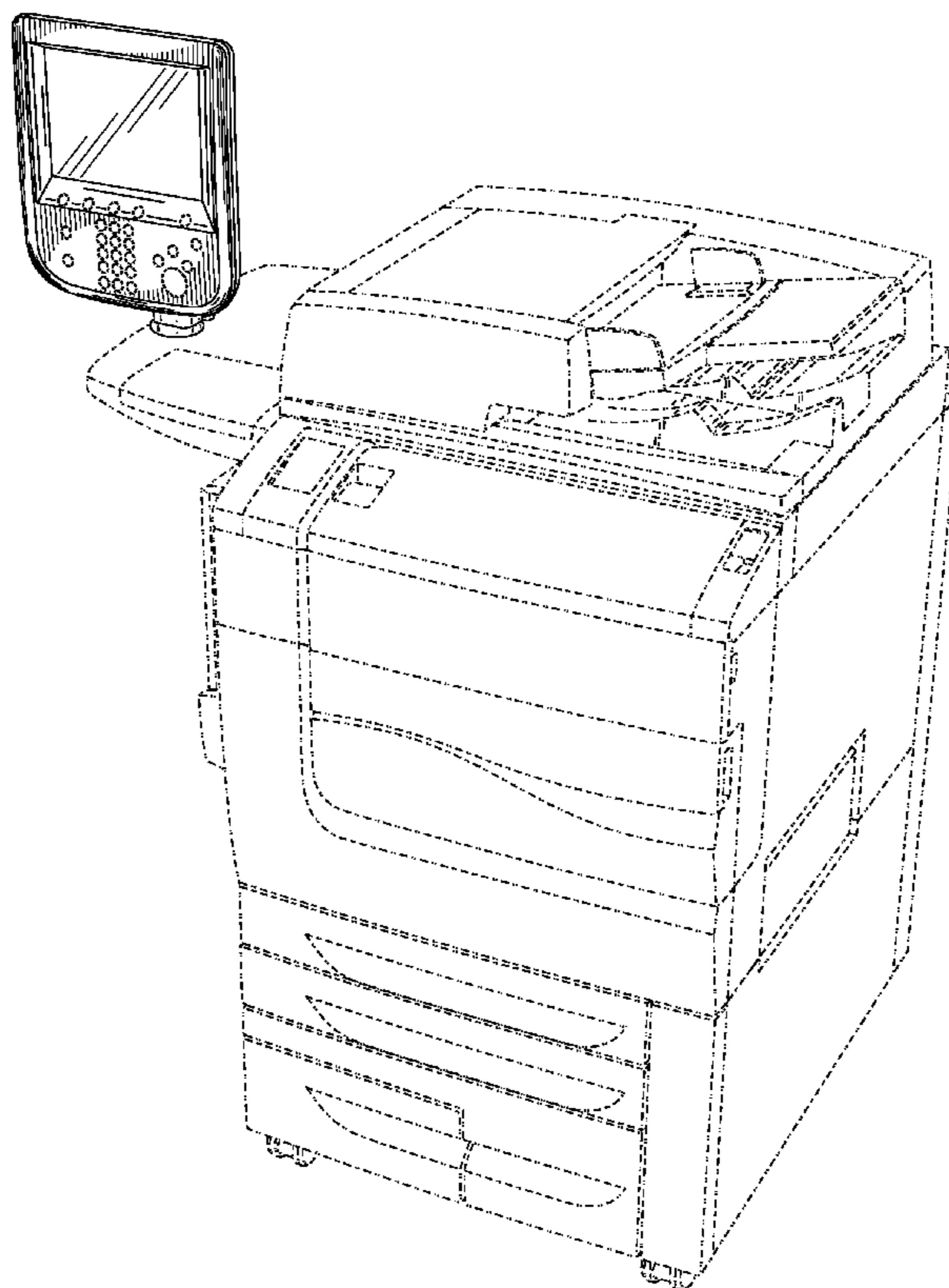
FIG. 5 is a left side view thereof;

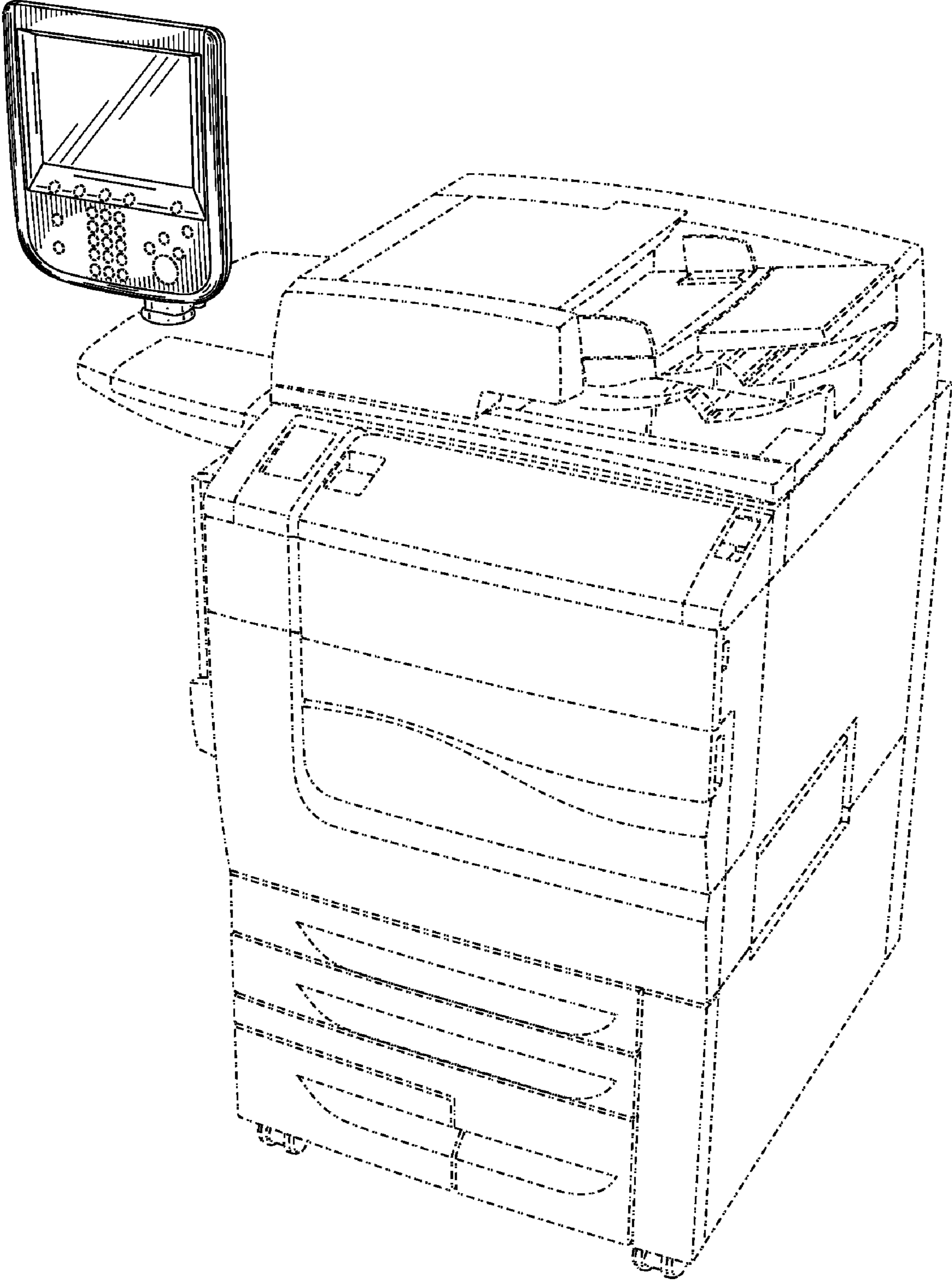
FIG. 6 is a top plan view thereof; and,

FIG. 7 is a bottom plan view thereof.

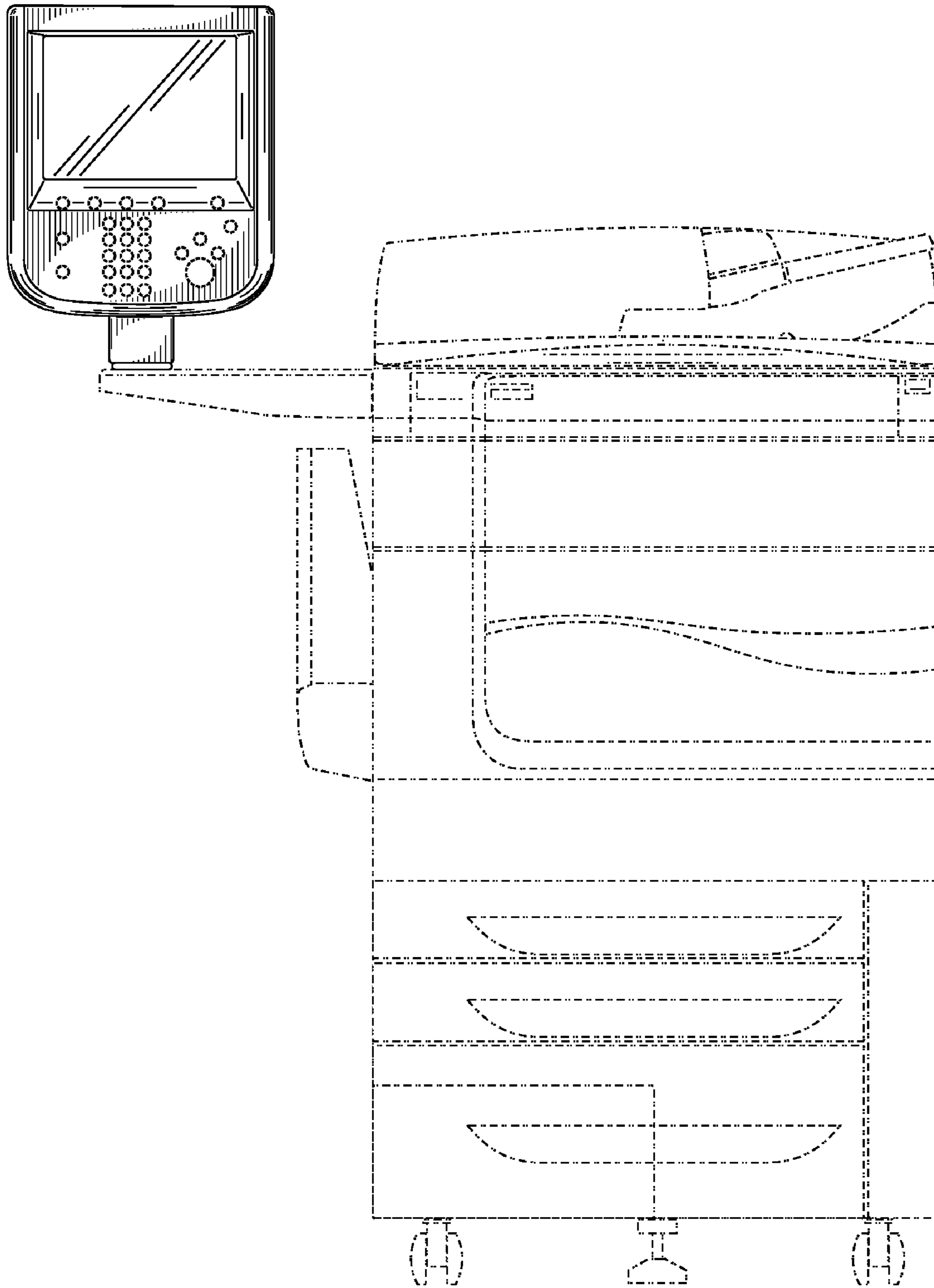
The broken lines shown are for illustrative purposes only and form no part of the claimed design.

**1 Claim, 7 Drawing Sheets**

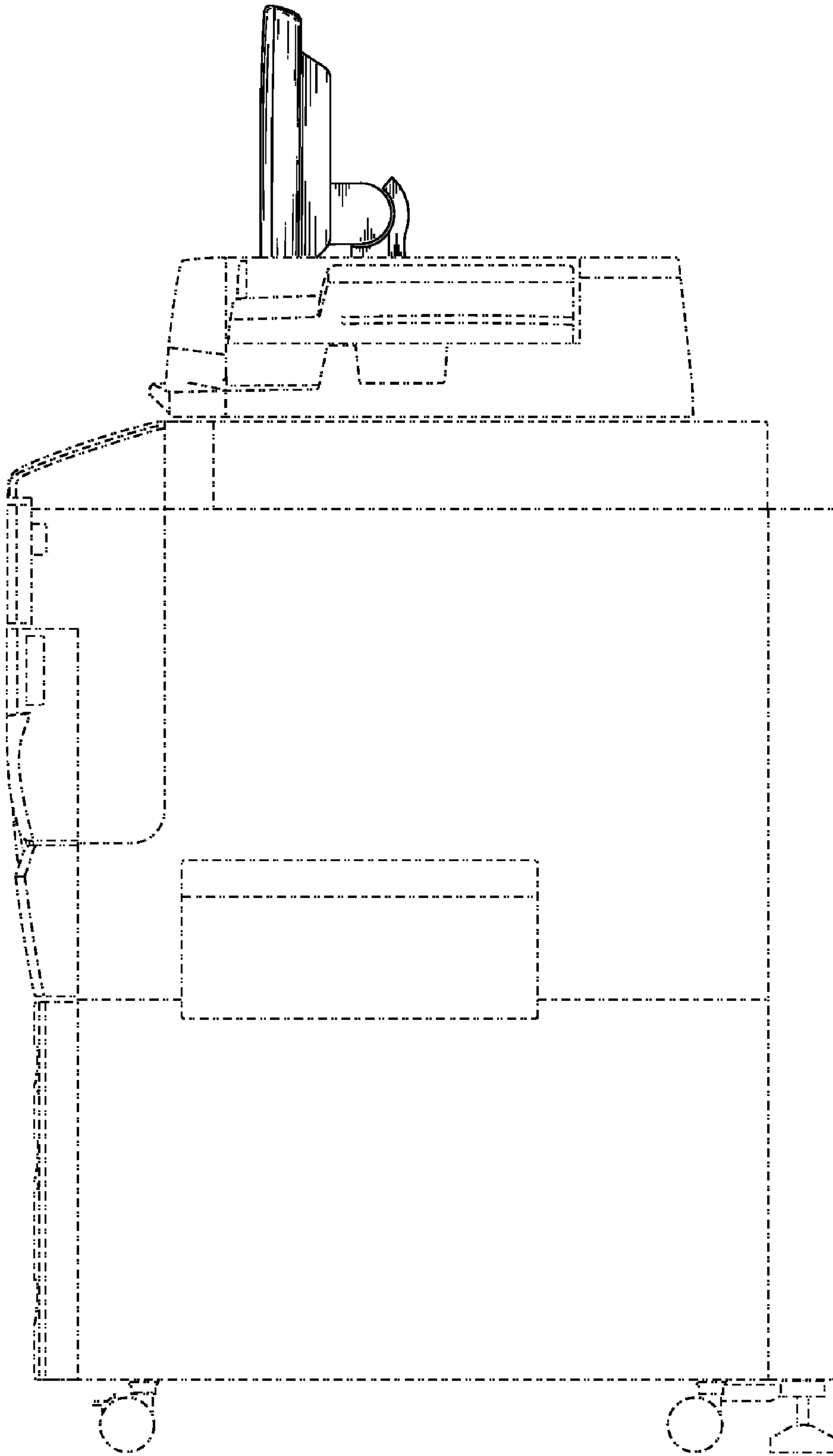




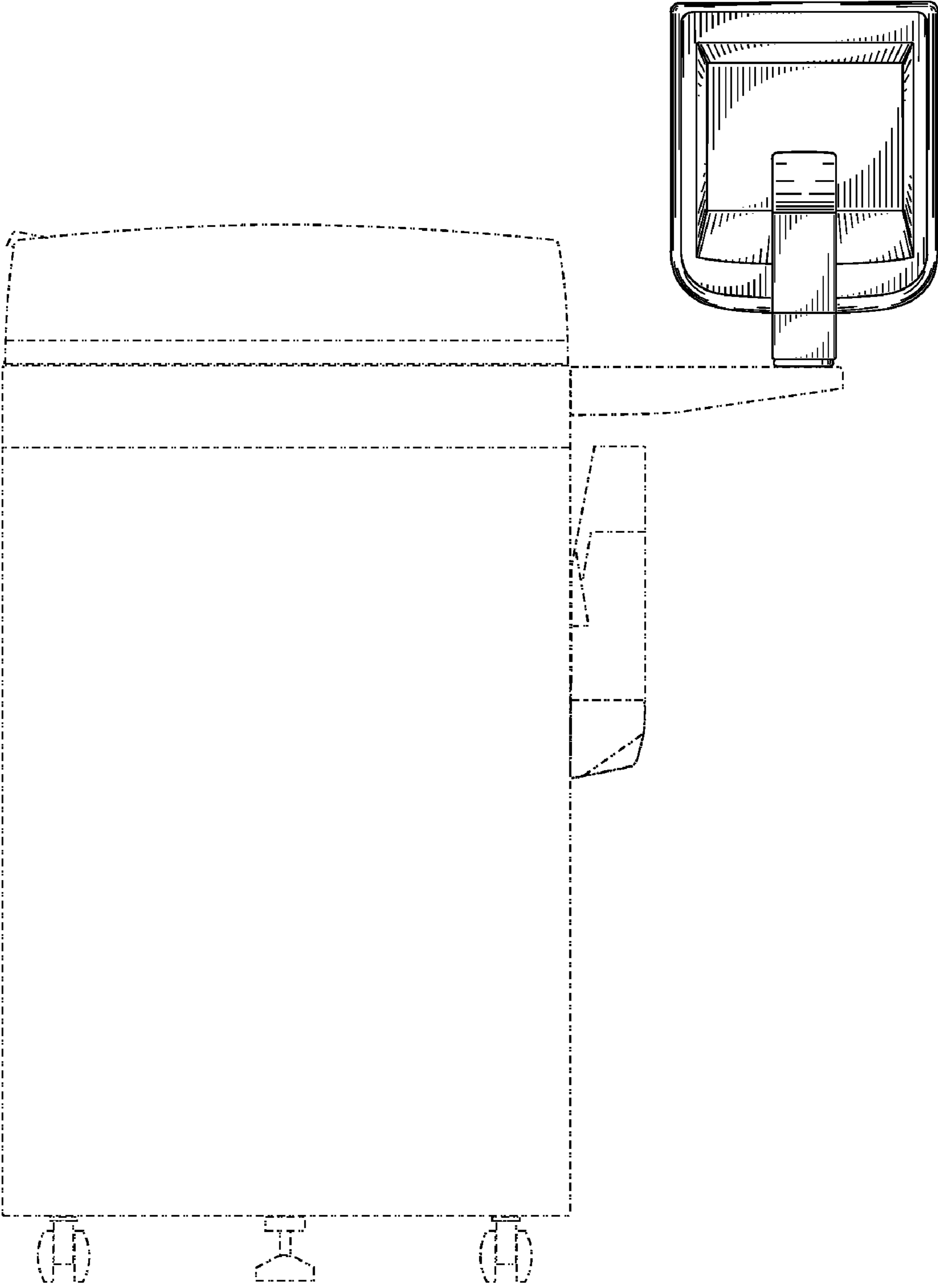
**FIG. 1**



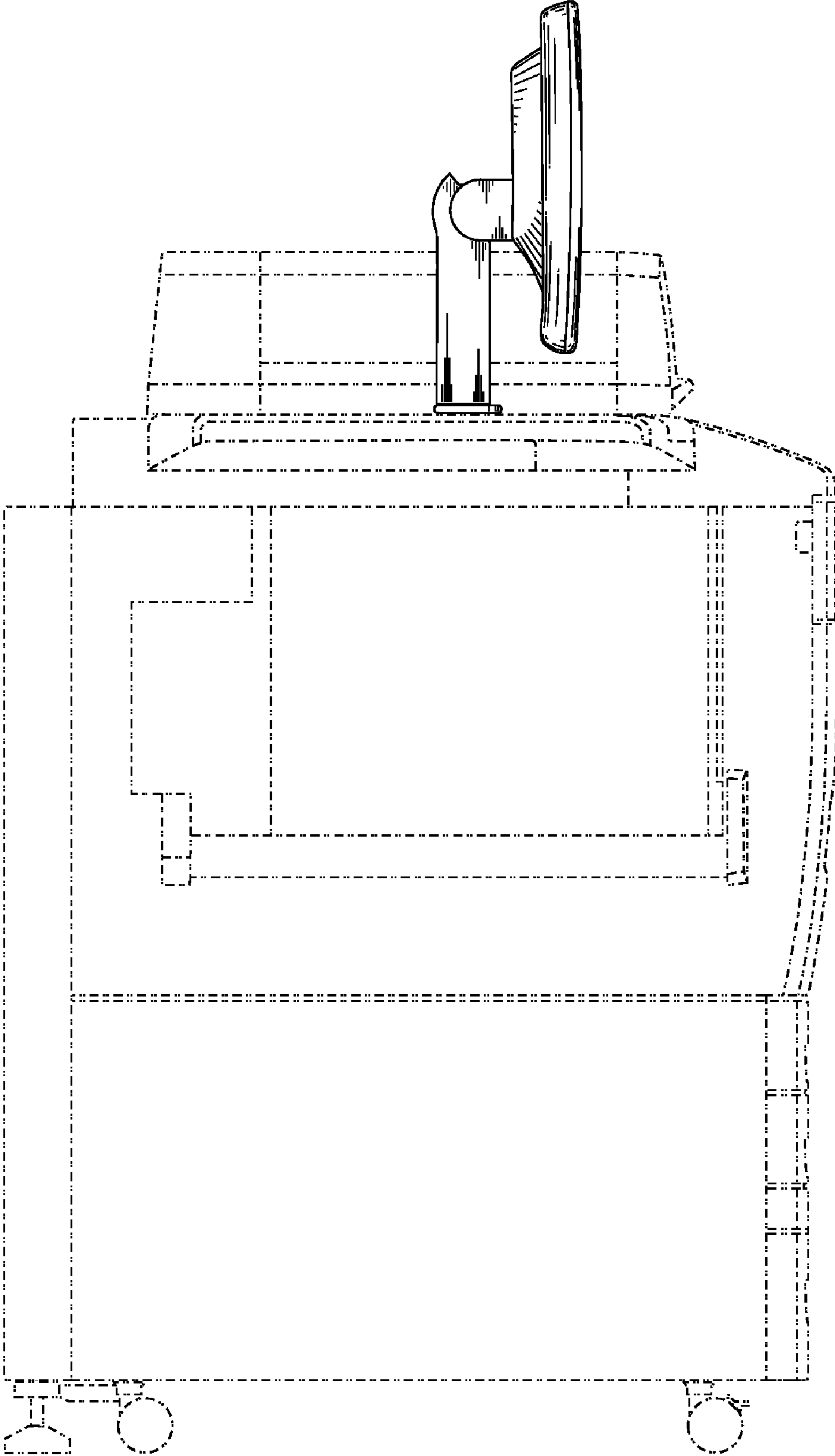
**FIG. 2**



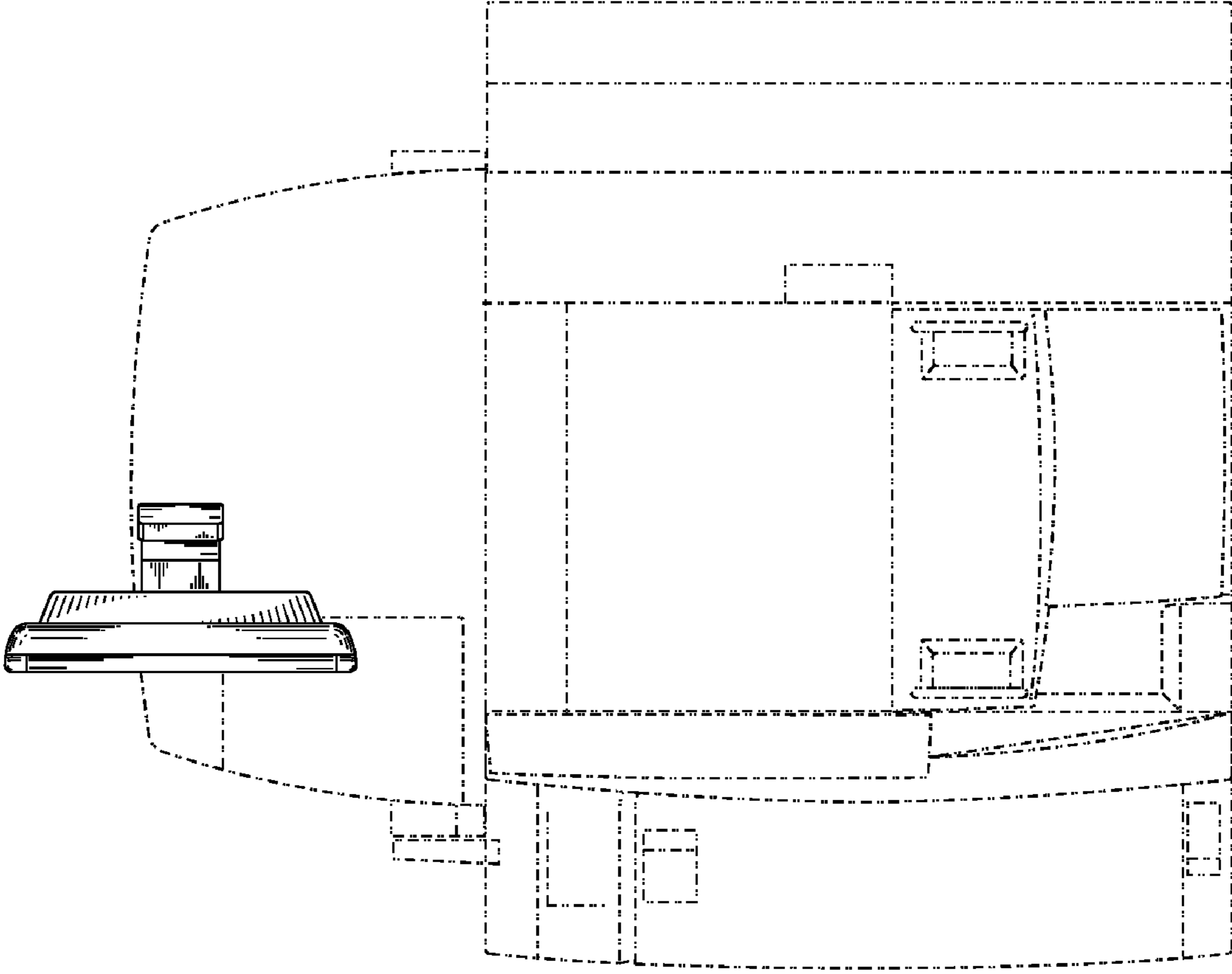
**FIG. 3**



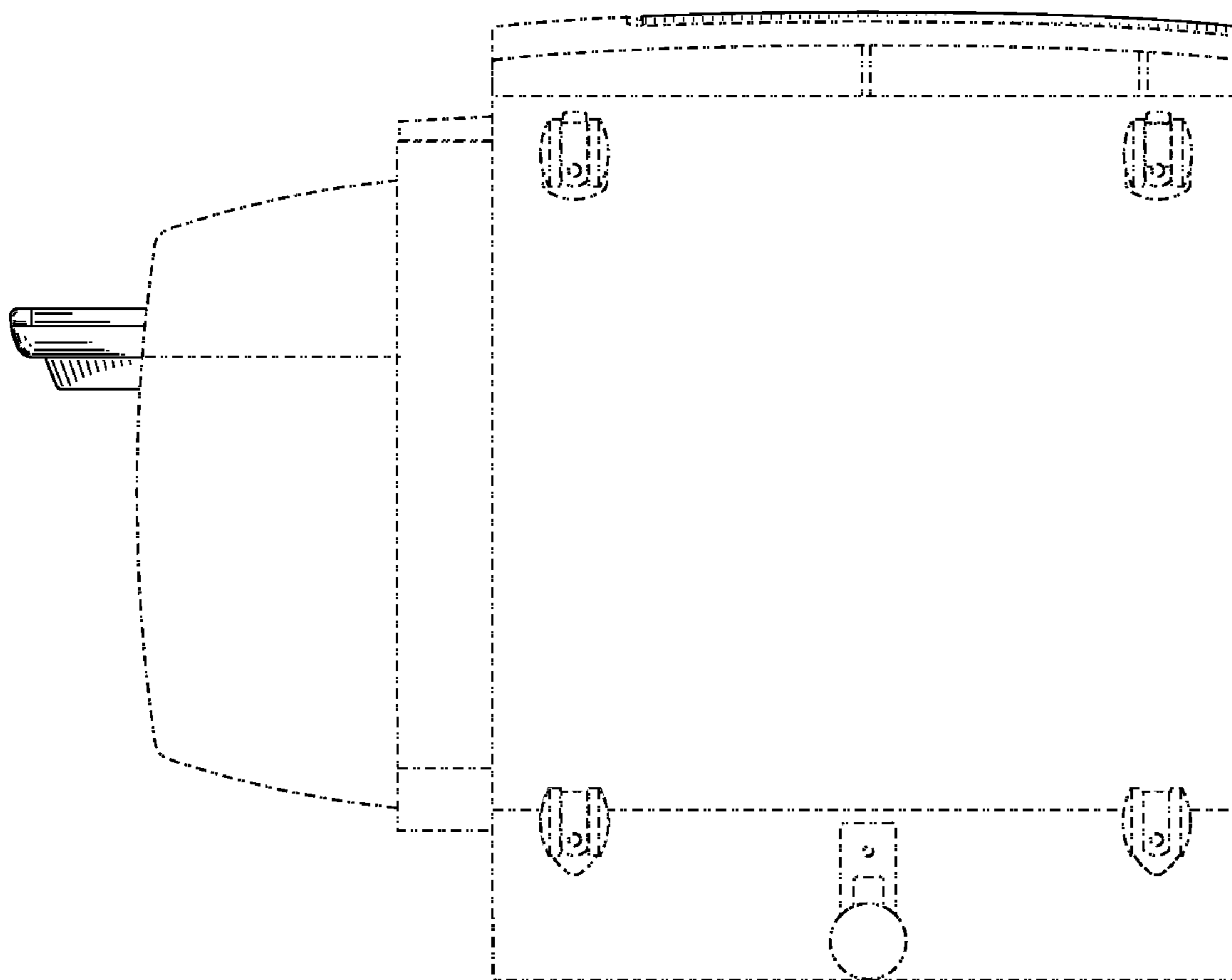
**FIG. 4**



**FIG. 5**



**FIG. 6**



**FIG. 7**