



US00D617370S

(12) **United States Design Patent**
Gerlier et al.

(10) **Patent No.:** **US D617,370 S**
(45) **Date of Patent:** **** Jun. 8, 2010**

(54) **FRONT PANEL OF A BANKNOTE HANDLER**

(75) Inventors: **André Gerlier**, Sciez (FR); **Michael D. Nunn**, West Chester, PA (US); **Juan-José Moreno**, Mont-sur-Lausanne (CH); **Roberto Polidoro**, Geneva (CH); **Christian Voser**, Satigny (CH)

(73) Assignee: **MEL, Inc.**, West Chester, PA (US)

(**) Term: **14 Years**

(21) Appl. No.: **29/252,290**

(22) Filed: **Jan. 20, 2006**

(30) **Foreign Application Priority Data**

Jul. 26, 2005	(EM)	000379409-0001
Jul. 26, 2005	(EM)	000379409-0002
Jul. 26, 2005	(EM)	000379409-0003
Jul. 26, 2005	(EM)	000379409-0004
Jul. 26, 2005	(EM)	000379409-0005
Jul. 26, 2005	(EM)	000379409-0006
Jul. 26, 2005	(EM)	000379409-0007
Jul. 26, 2005	(EM)	000379409-0008

(51) **LOC (9) Cl.** **18-01**

(52) **U.S. Cl.** **D18/3.3; D18/3.1**

(58) **Field of Classification Search** D18/3.1, D18/3.2, 3.3, 12.1, 12, 12.3, 46, 47, 48, 49, D18/50, 54, 56, 57, 58, 59, 99; 209/534; 235/2, 3, 4, 379; 382/135; 101/2, 3.1, 4, 101/5

See application file for complete search history.

(56) **References Cited**

U.S. PATENT DOCUMENTS

D115,074	S *	5/1939	Boetticher	D18/50
2,868,115	A *	1/1959	Gollwitzer	101/2
3,254,596	A *	6/1966	Shoup et al.	101/102
D225,764	S *	1/1973	Dusckar	D7/698
D233,694	S *	11/1974	Tamura	D18/3.1
D258,036	S *	1/1981	Sabin	D7/698
4,387,949	A *	6/1983	Haitmanek	439/95

D294,597	S *	3/1988	Lanagan	D18/3.1
4,756,695	A *	7/1988	Lane et al.	439/76.1
D334,921	S *	4/1993	Basara et al.	D14/447
D339,507	S *	9/1993	Ancona et al.	D7/698
5,326,931	A *	7/1994	Cain et al.	174/503
D375,298	S *	11/1996	Calfee	D14/451
6,216,406	B1 *	4/2001	Hauser	52/287.1
6,328,166	B1 *	12/2001	Sakai	209/534
6,674,000	B2 *	1/2004	Lambiaso	174/50
6,768,055	B1 *	7/2004	Gorin	174/50
D519,016	S *	4/2006	Nudo	D8/71

* cited by examiner

Primary Examiner—Stella M Reid

Assistant Examiner—Elizabeth J Oswecki

(74) *Attorney, Agent, or Firm*—Fish & Richardson P.C.

(57) **CLAIM**

The ornamental design for a front panel of a banknote handler, showing my new design.

DESCRIPTION

FIG. 1 is a top view of a first embodiment of a front panel of a banknote handler showing our new design;

FIG. 2 is a bottom view thereof;

FIG. 3 is a front view thereof;

FIG. 4 is an isometric view thereof;

FIG. 5 is a left side view thereof;

FIG. 6 is a right side view thereof;

FIG. 7 is a top view of a second embodiment of a front panel of a banknote handler showing our new design;

FIG. 8 is a bottom view thereof;

FIG. 9 is a front view thereof;

FIG. 10 is an isometric view thereof;

FIG. 11 is a left side view thereof;

FIG. 12 is a right side view thereof;

FIG. 13 is a top view of a third embodiment of a front panel of a banknote handler showing our new design;

FIG. 14 is a bottom view thereof;

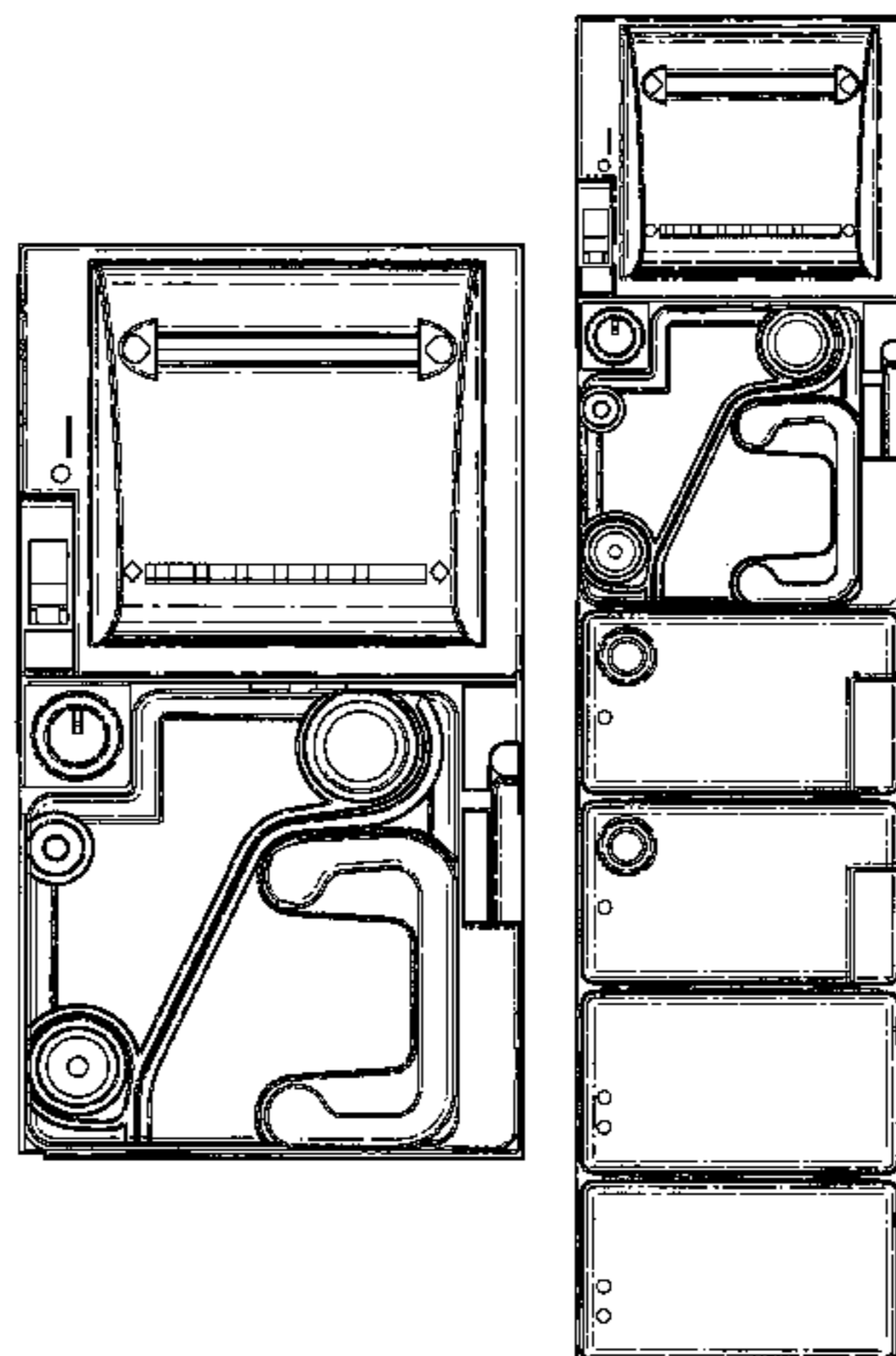


FIG. 15 is a front view thereof;
FIG. 16 is an isometric view thereof;
FIG. 17 is a left side view thereof;
FIG. 18 is a right side view thereof;
FIG. 19 is a top view of a fourth embodiment of a front panel of a banknote handler showing our new design;
FIG. 20 is a bottom view thereof;
FIG. 21 is a front view thereof;
FIG. 22 is an isometric view thereof;
FIG. 23 is a left side view thereof;
FIG. 24 is a right side view thereof;
FIG. 25 is a top view of a fifth embodiment of a front panel of a banknote handler showing our new design;
FIG. 26 is a bottom view thereof;
FIG. 27 is a front view thereof;

FIG. 28 is an isometric view thereof;
FIG. 29 is a left side view thereof;
FIG. 30 is a right side view thereof;
FIG. 31 is a top view of a sixth embodiment of a front panel of a banknote handler showing our new design;
FIG. 32 is a bottom view thereof;
FIG. 33 is a front view thereof;
FIG. 34 is an isometric view thereof;
FIG. 35 is a left side view thereof; and,
FIG. 36 is a right side view thereof.

The broken line showing of a banknote handler is included for the purpose of illustrating only and forms no part of the claimed design. The dashed-dot-dashed lines define the boundaries of the claimed design.

1 Claim, 36 Drawing Sheets

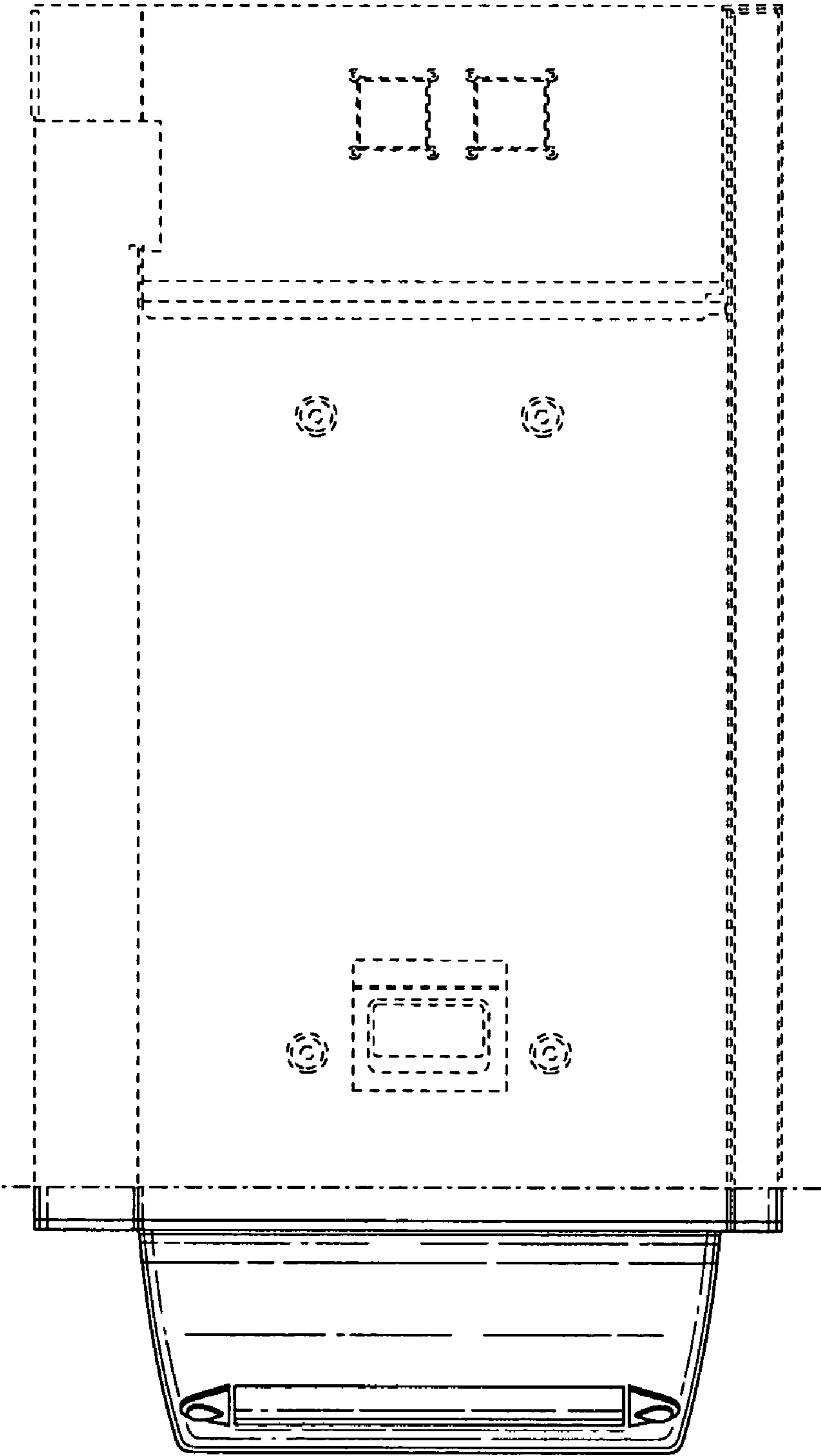


FIG. 1

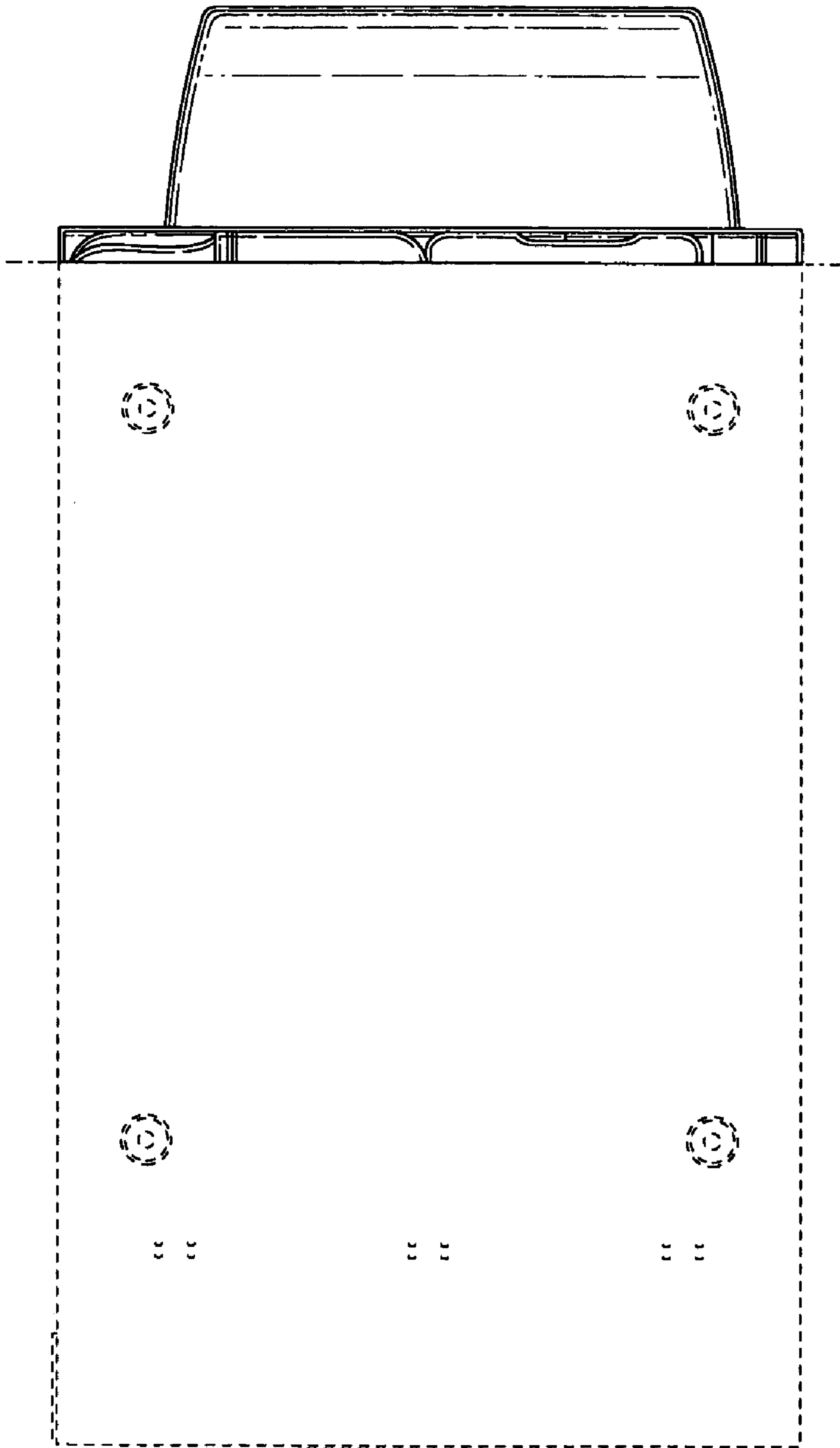


FIG. 2

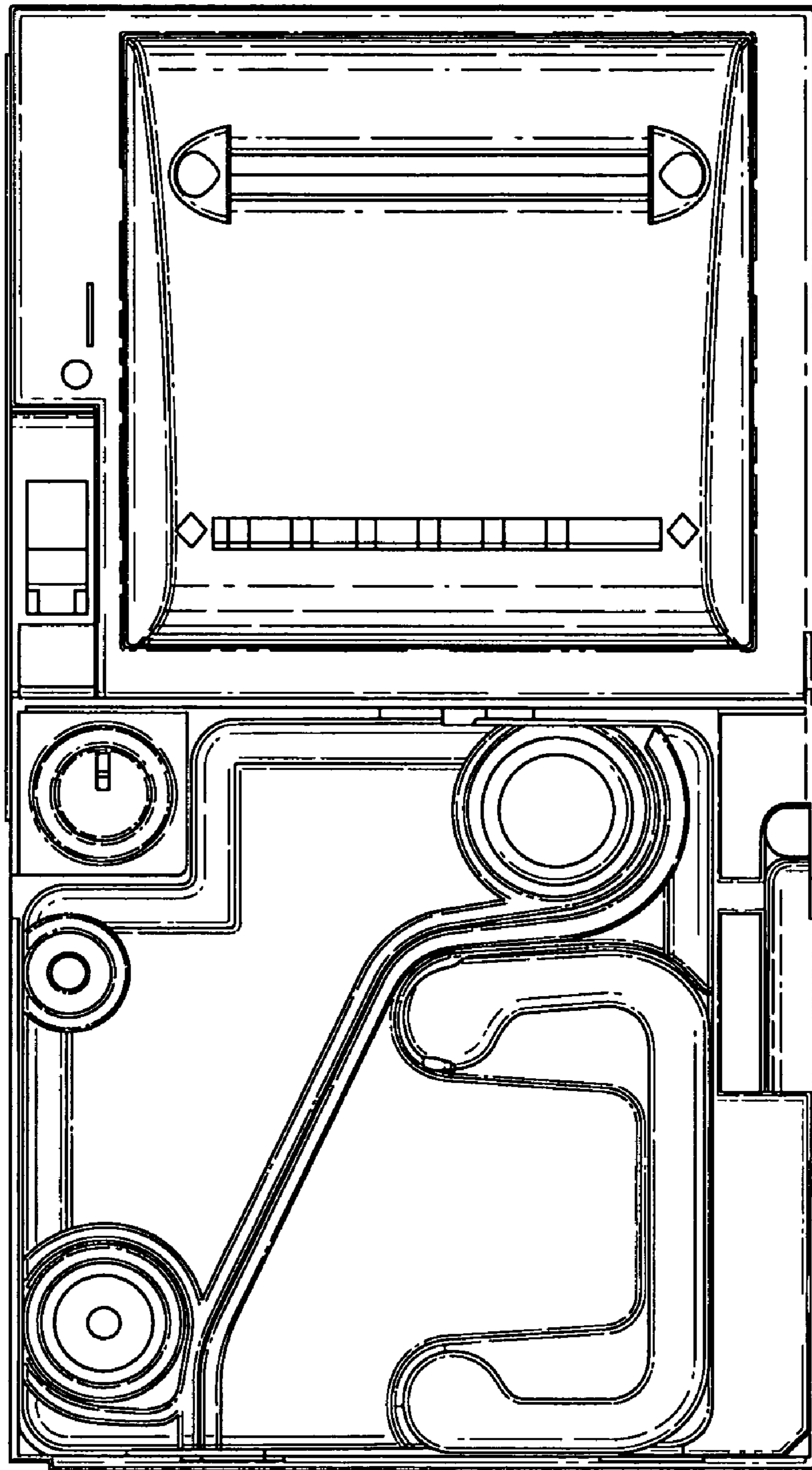


FIG. 3

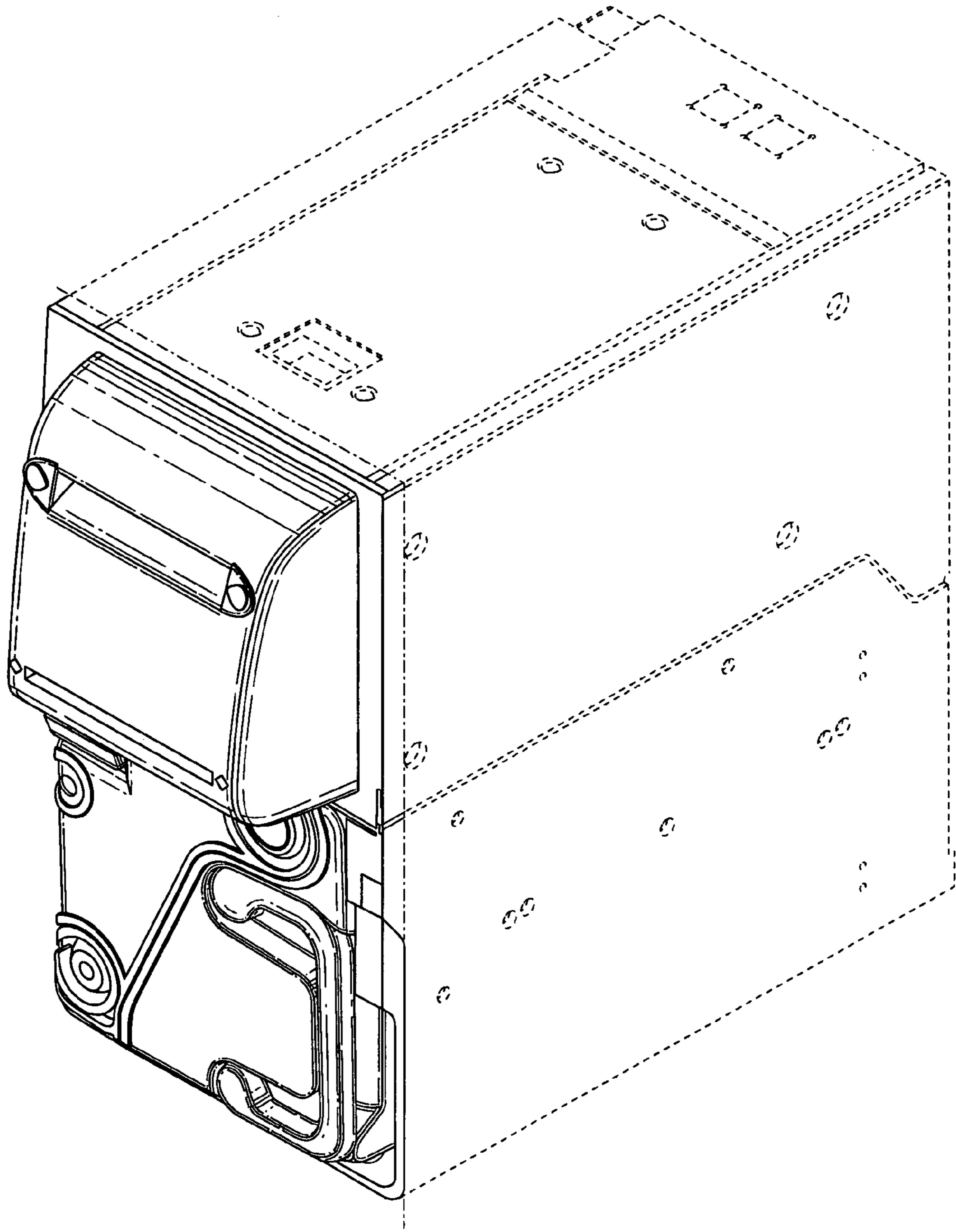


FIG. 4

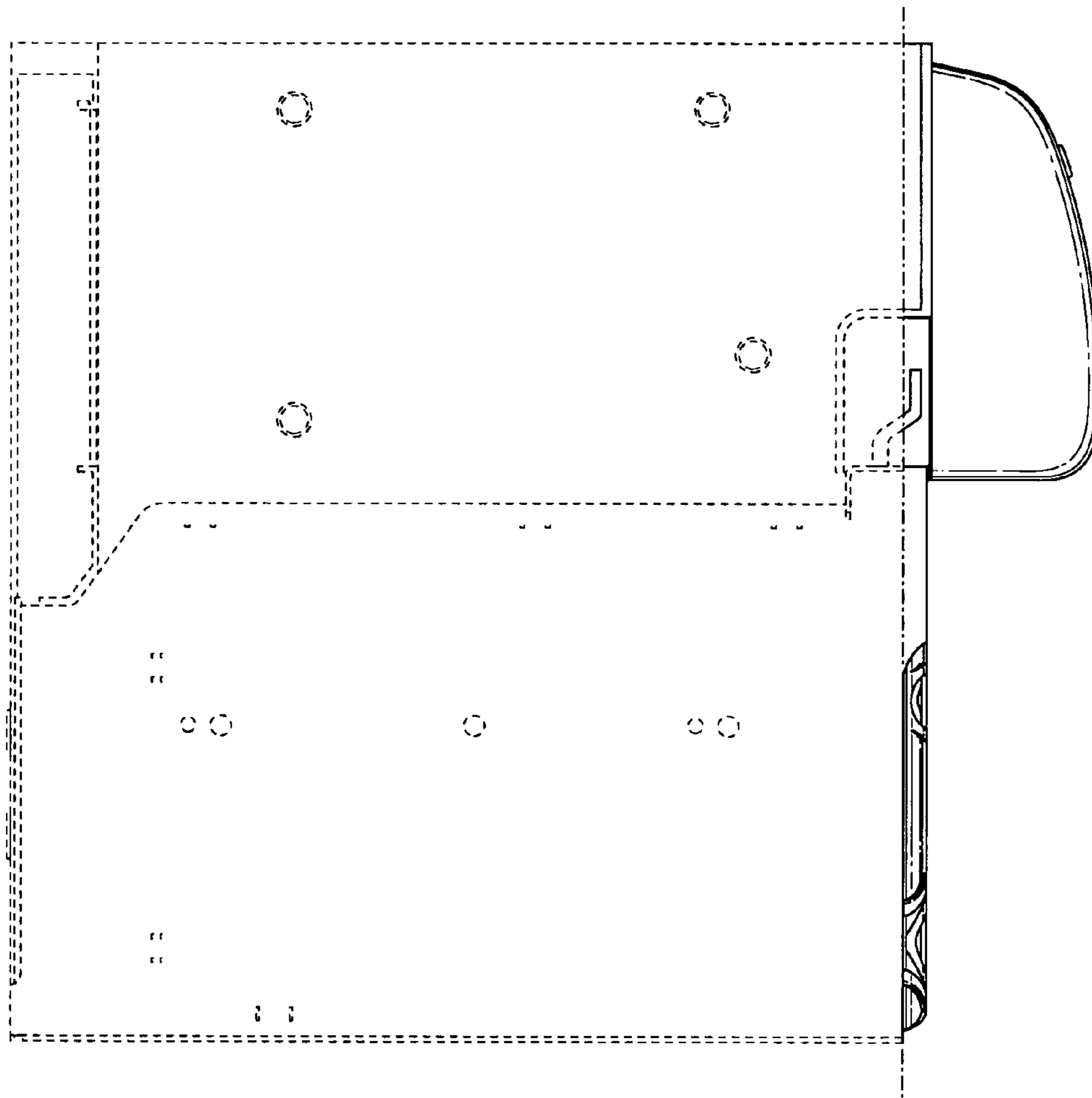


FIG. 5

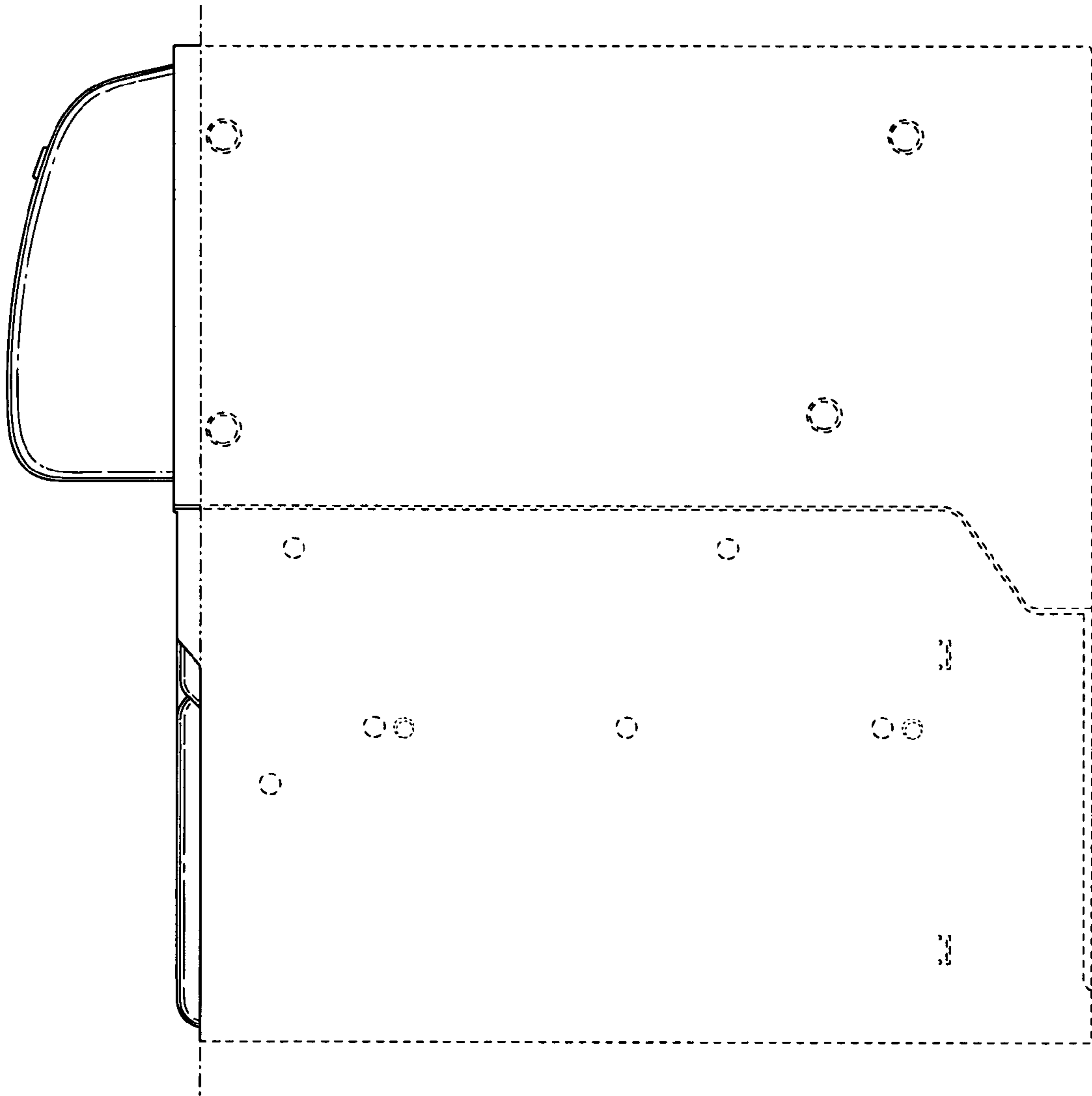


FIG. 6

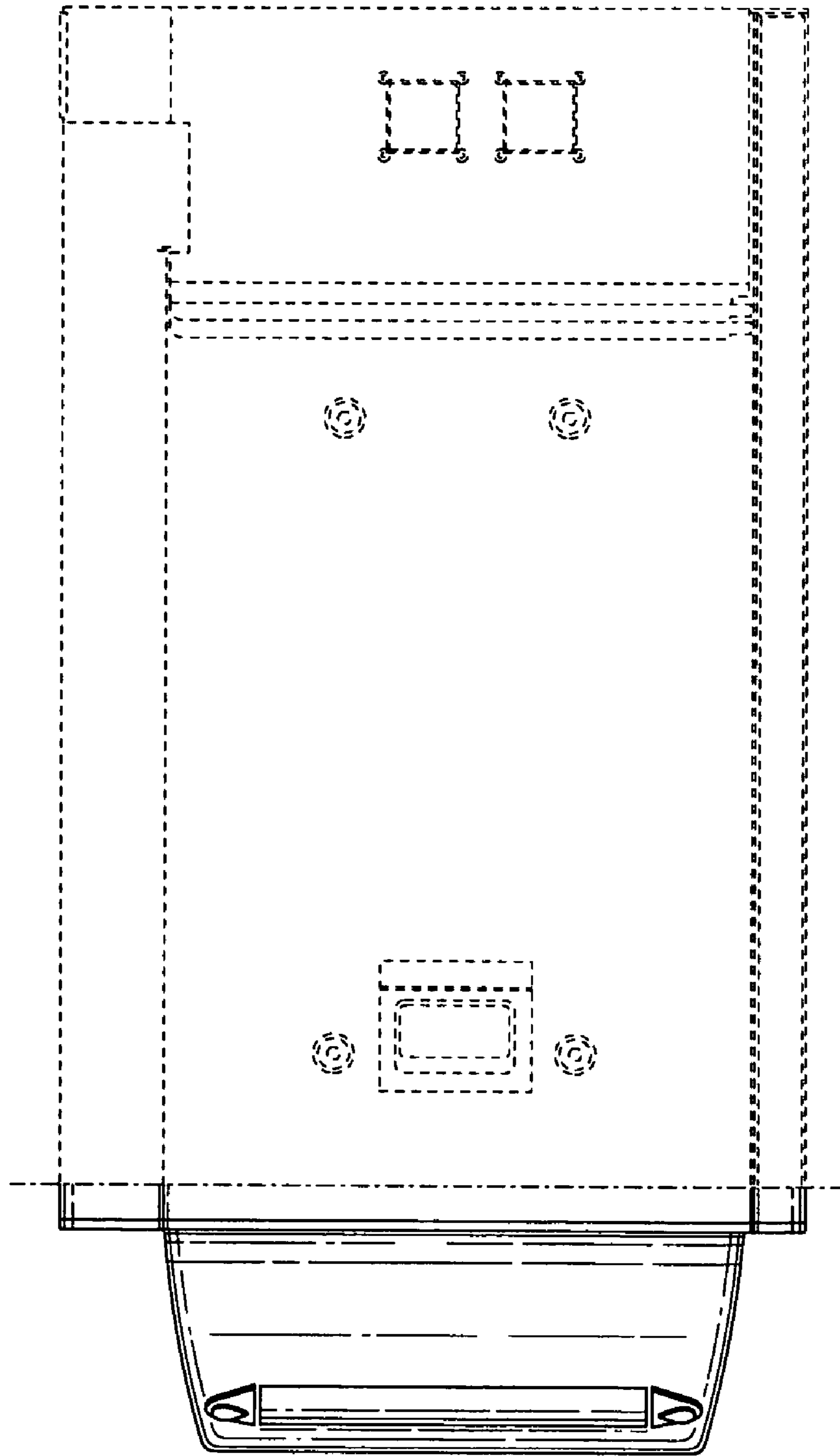


FIG. 7

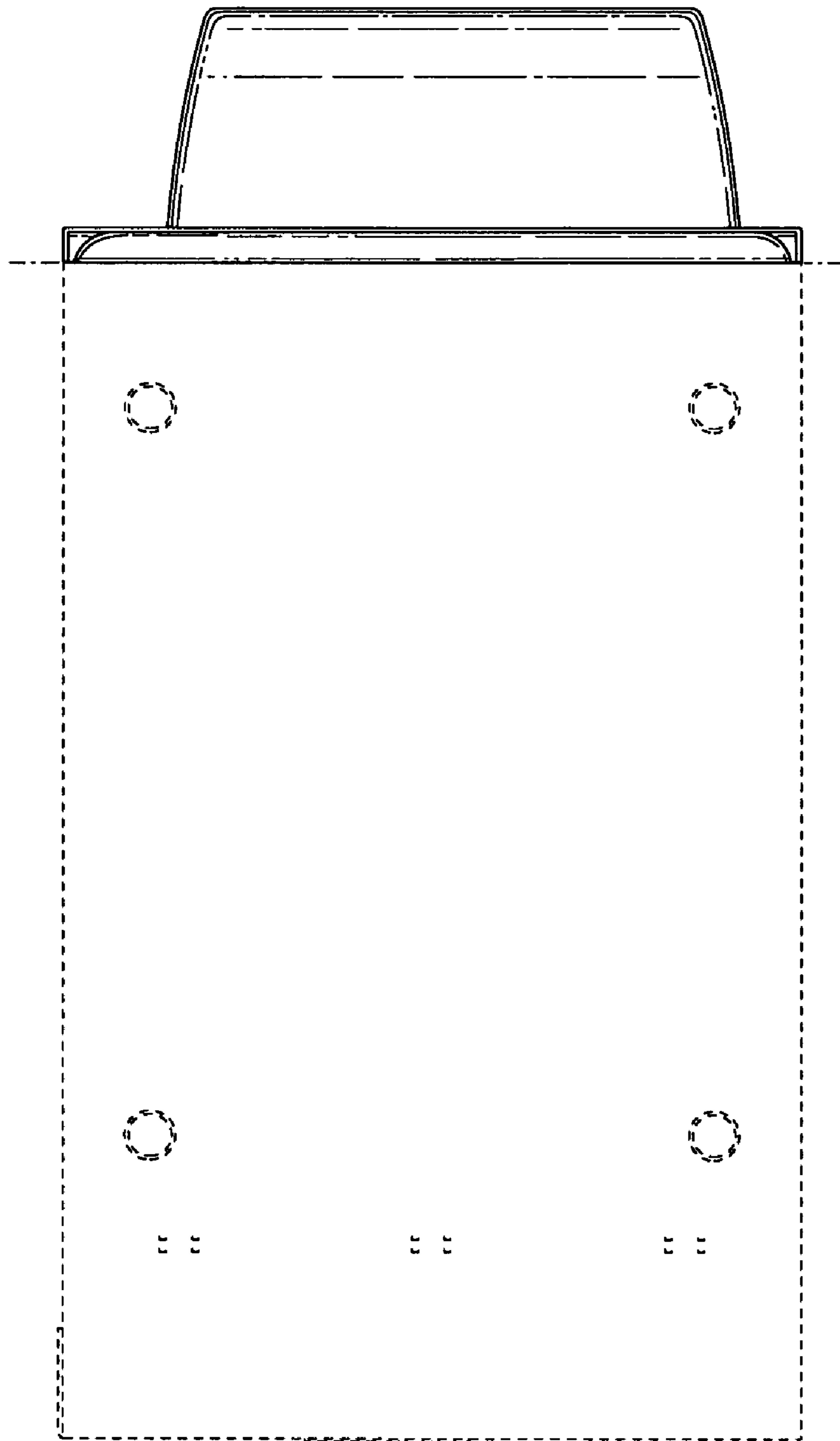


FIG. 8

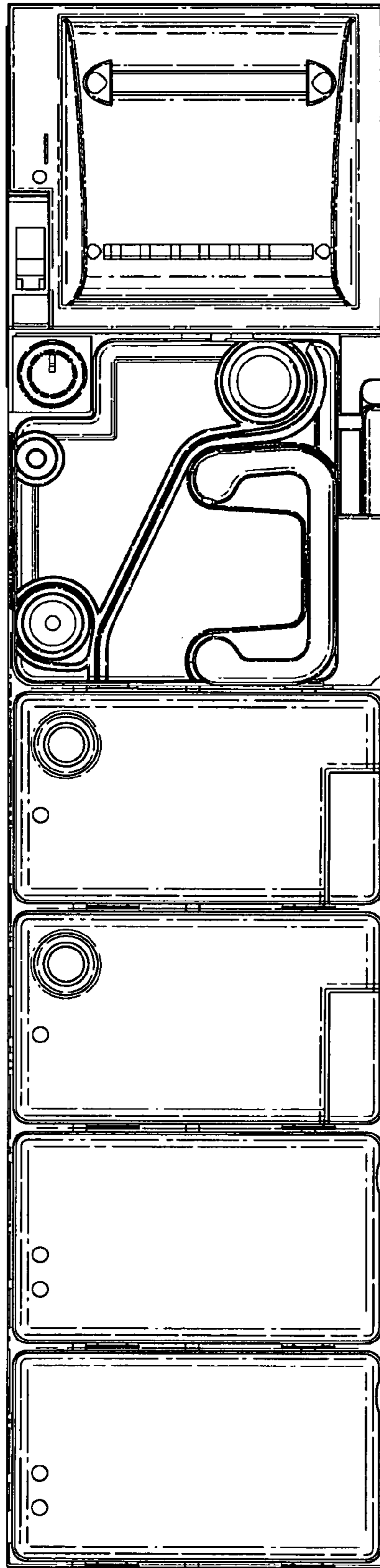


FIG. 9

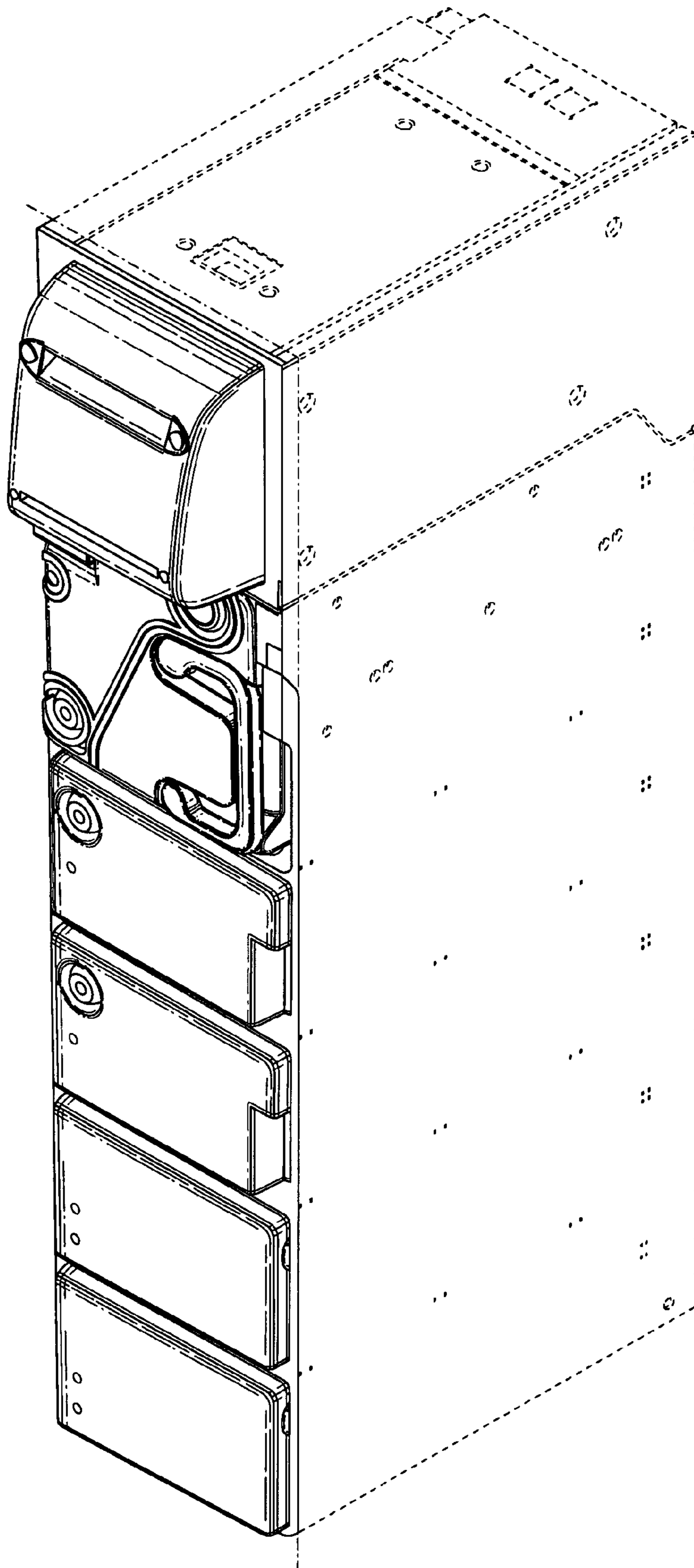


FIG. 10

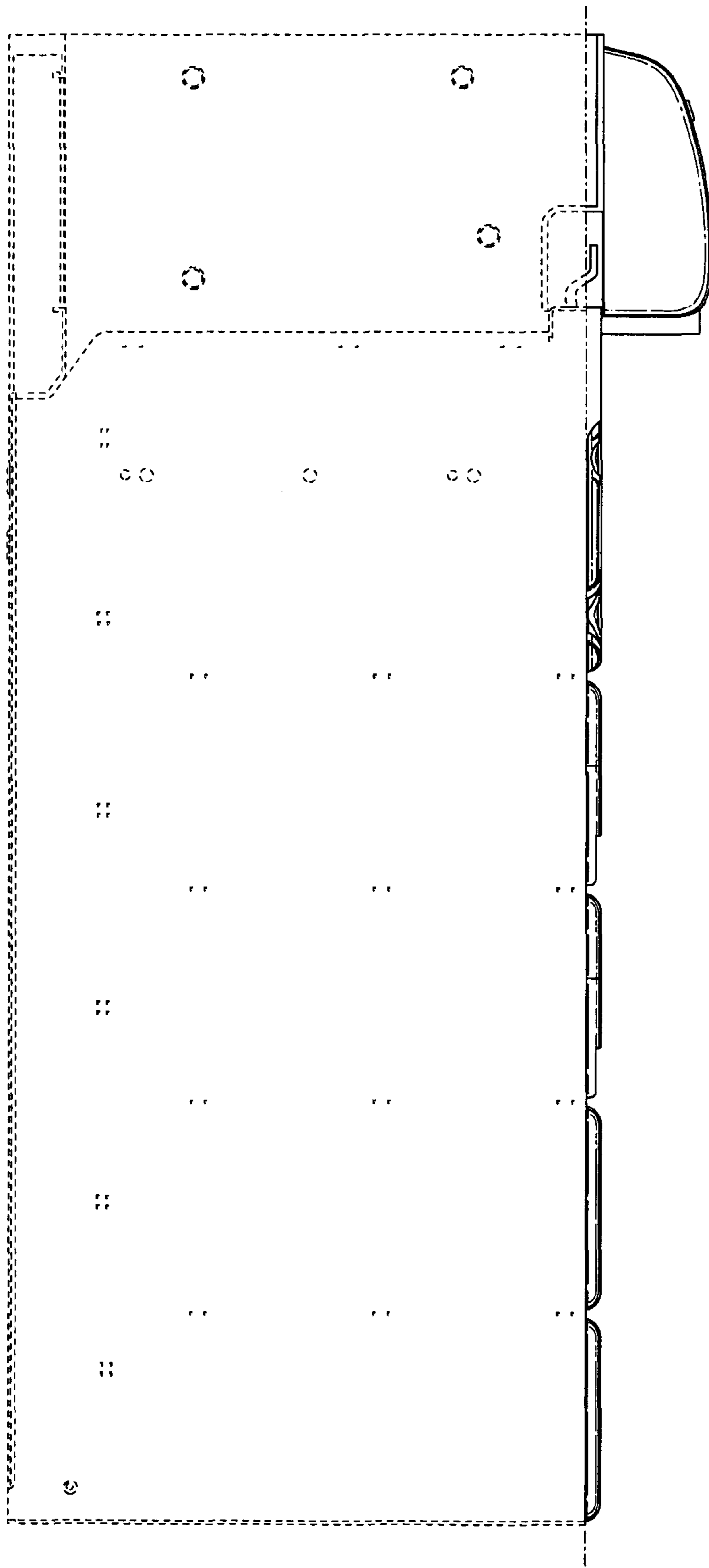


FIG. 11

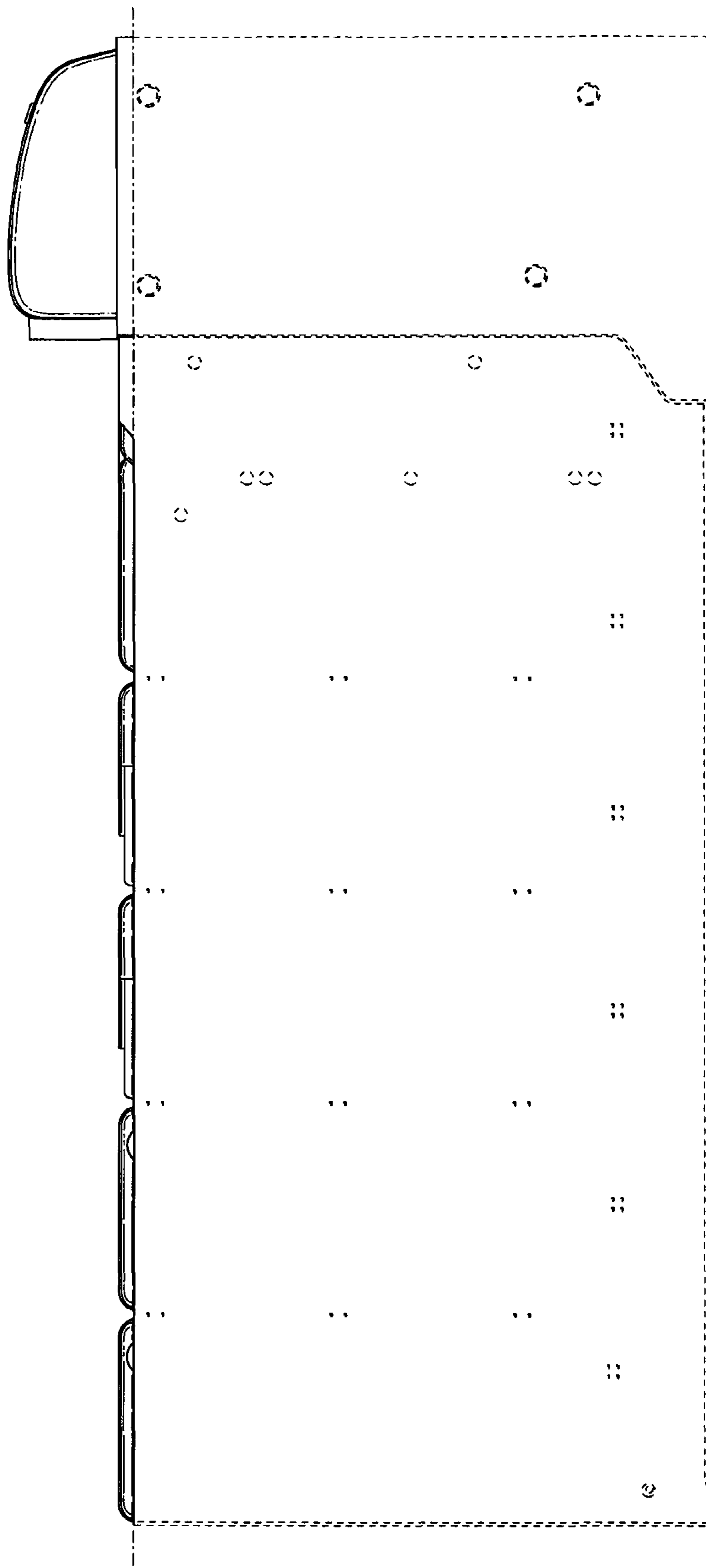


FIG. 12

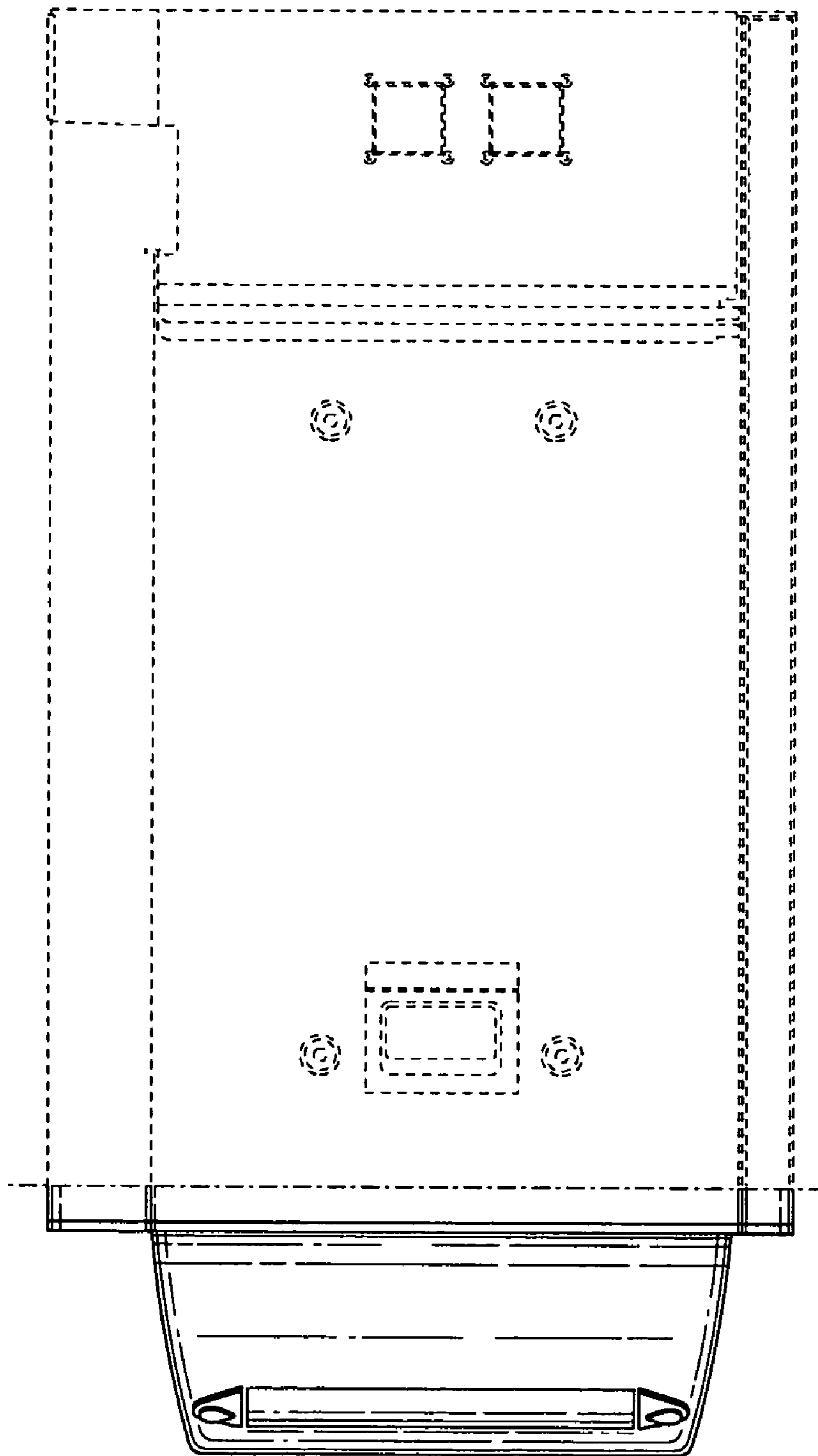


FIG. 13

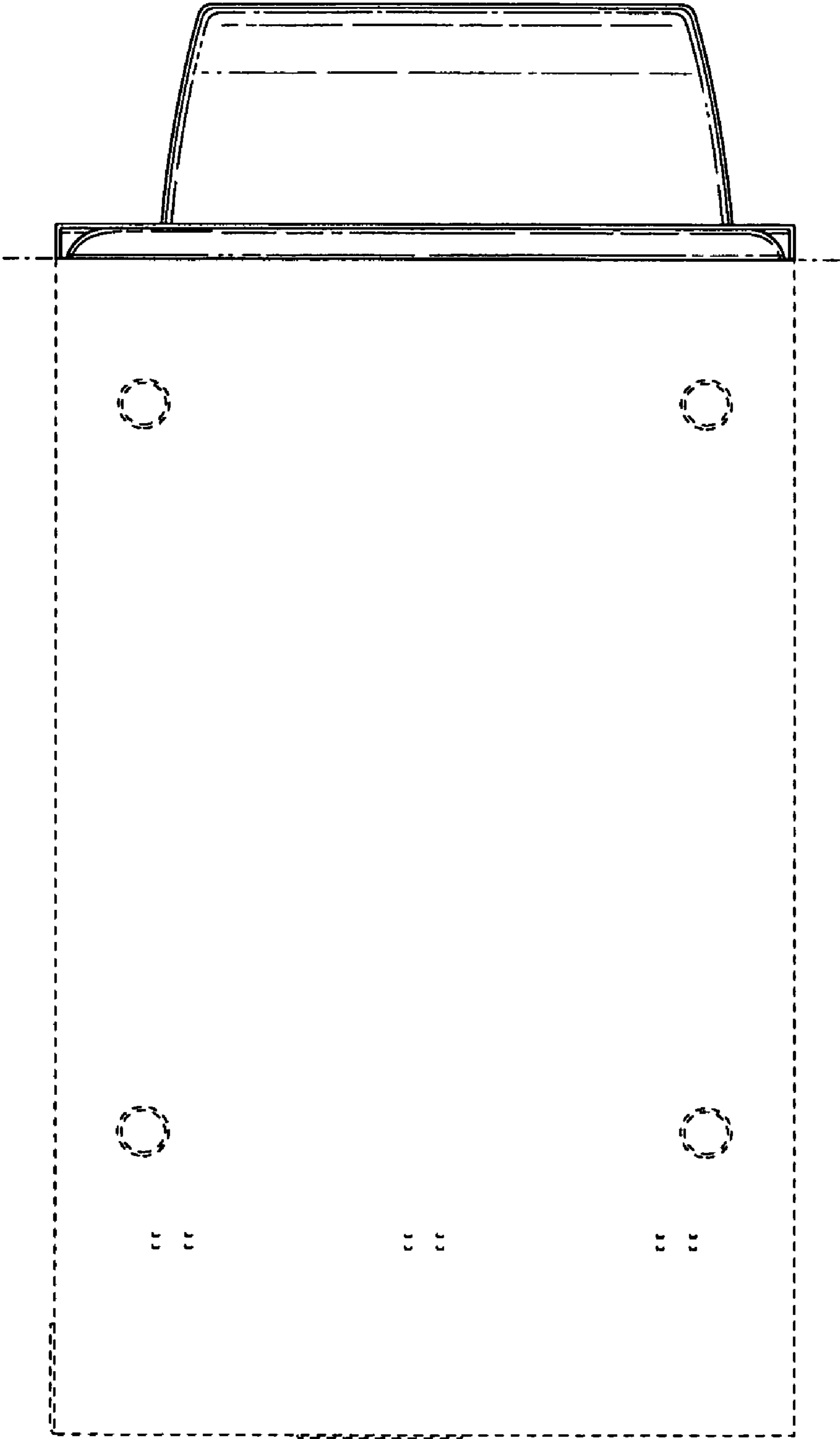


FIG. 14

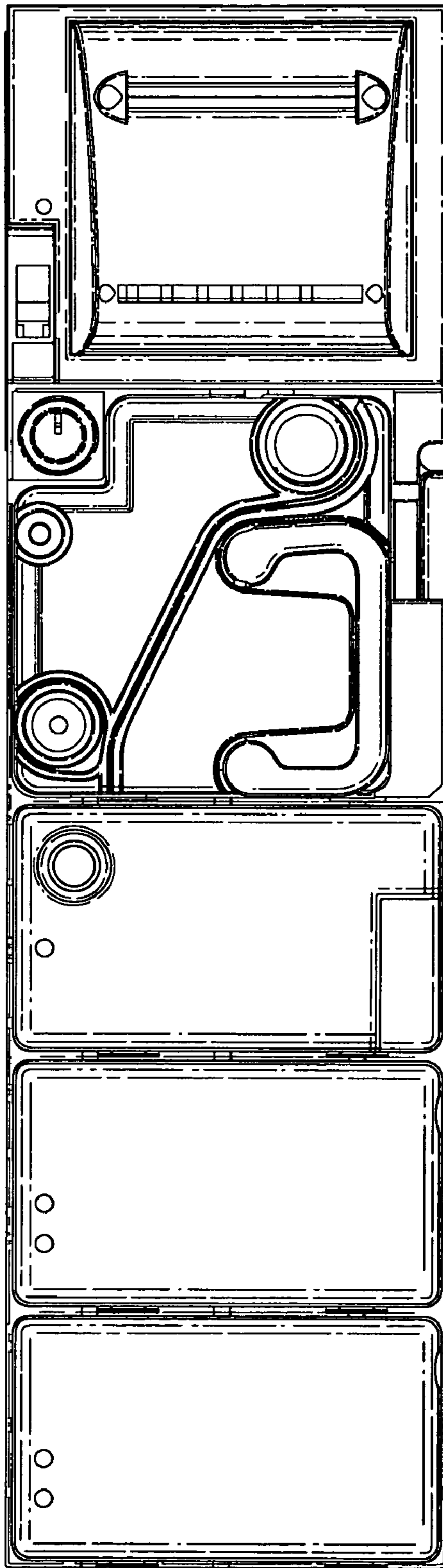


FIG. 15

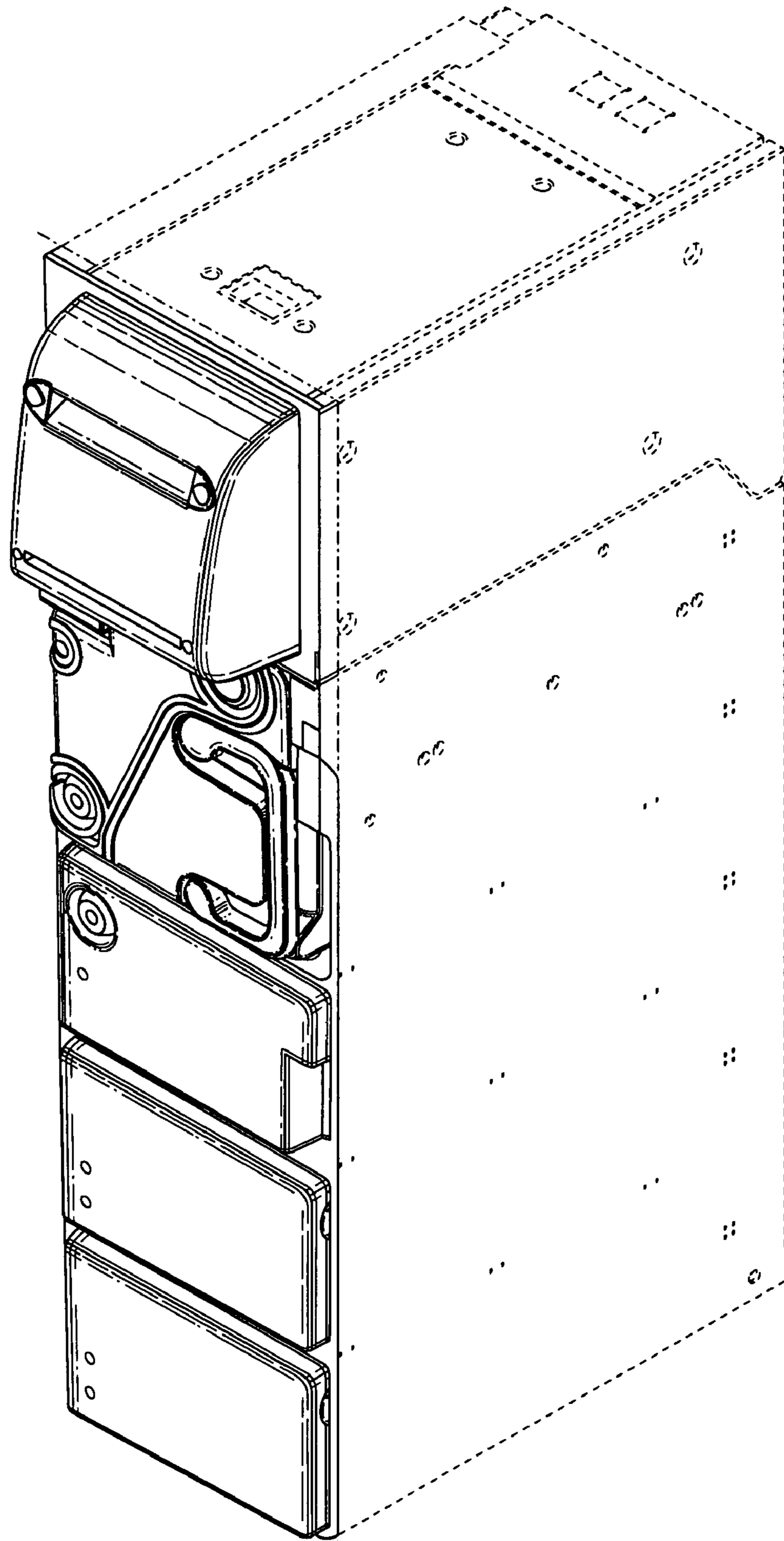


FIG. 16

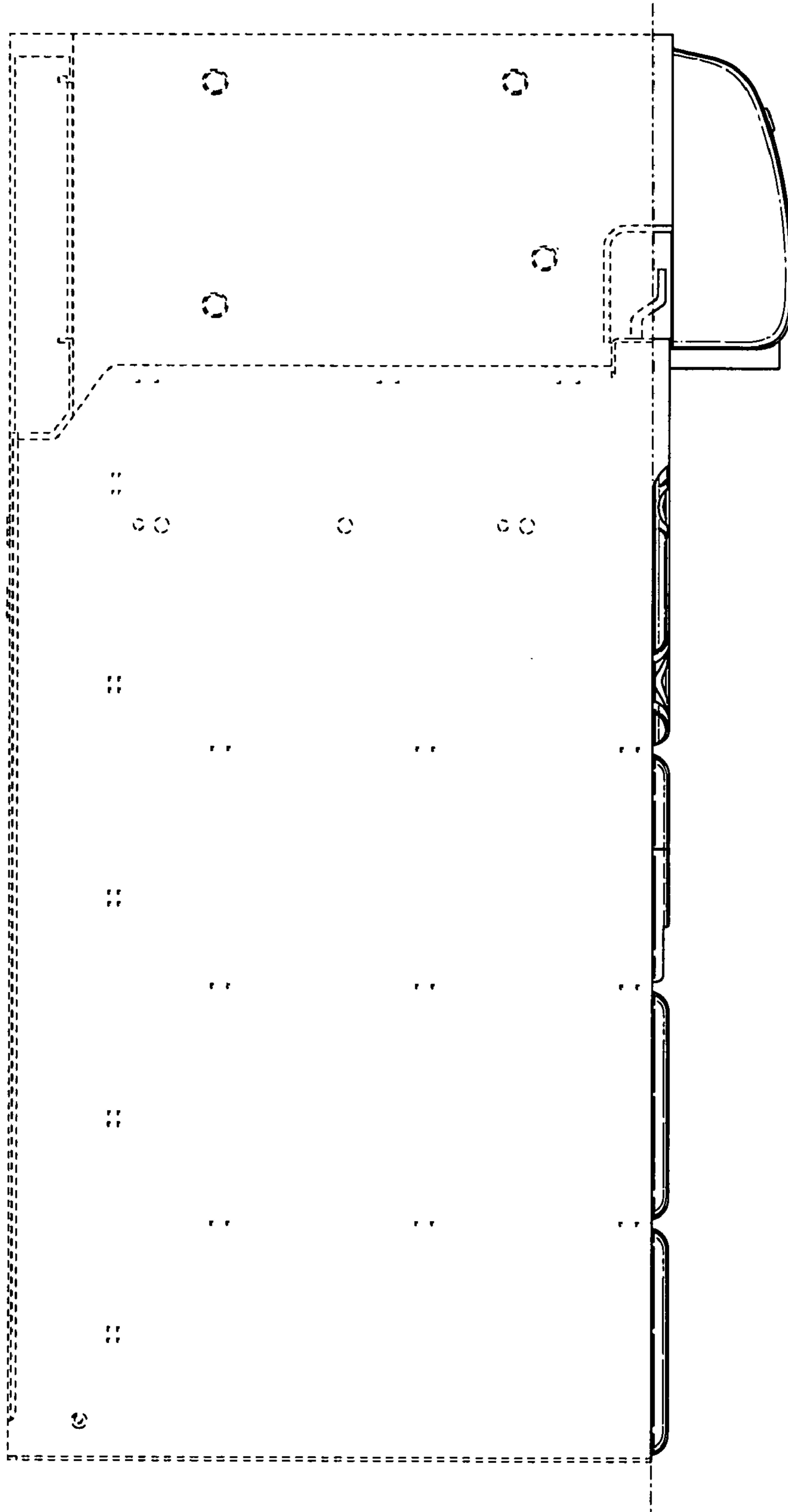


FIG. 17

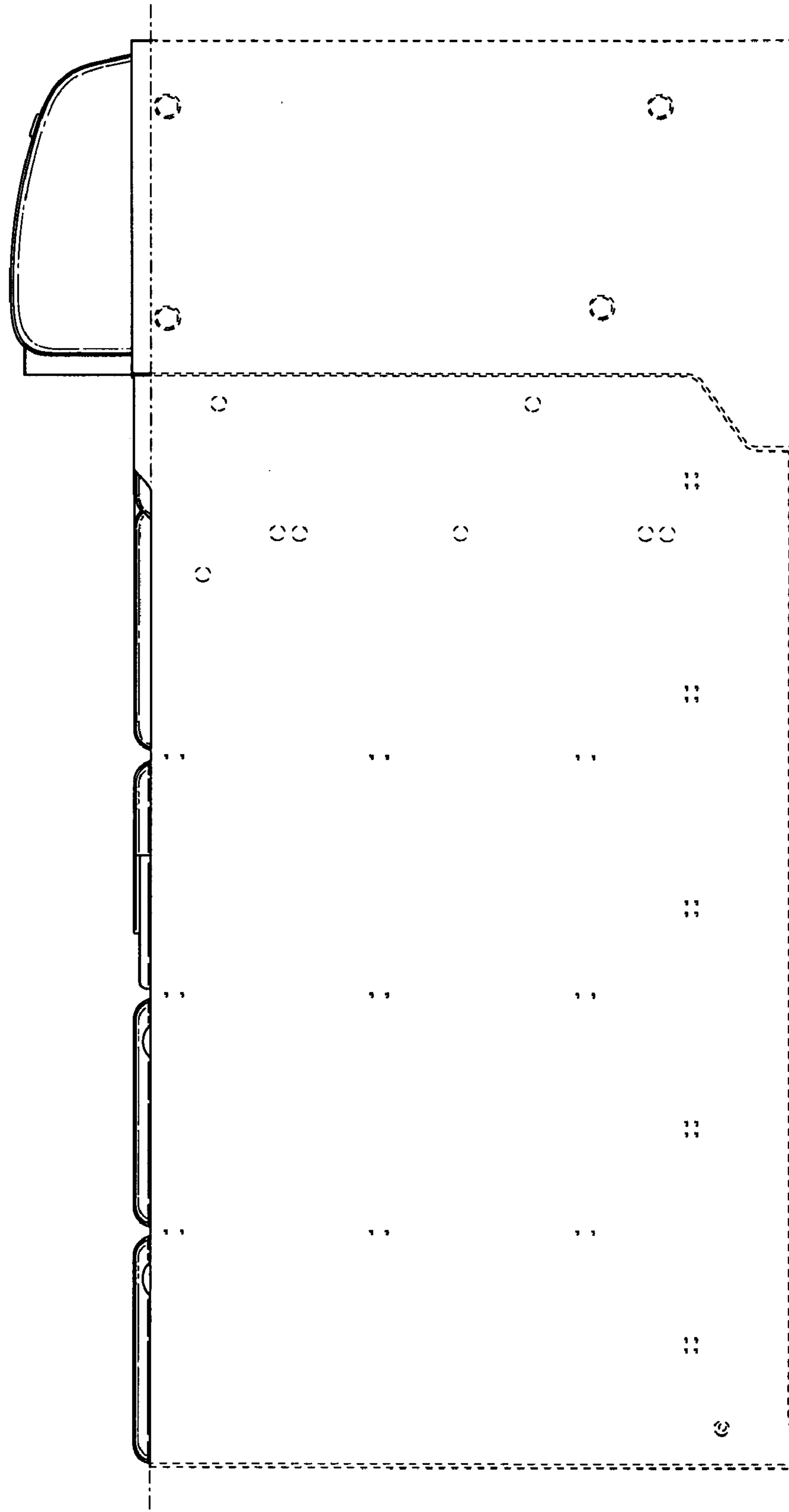


FIG. 18

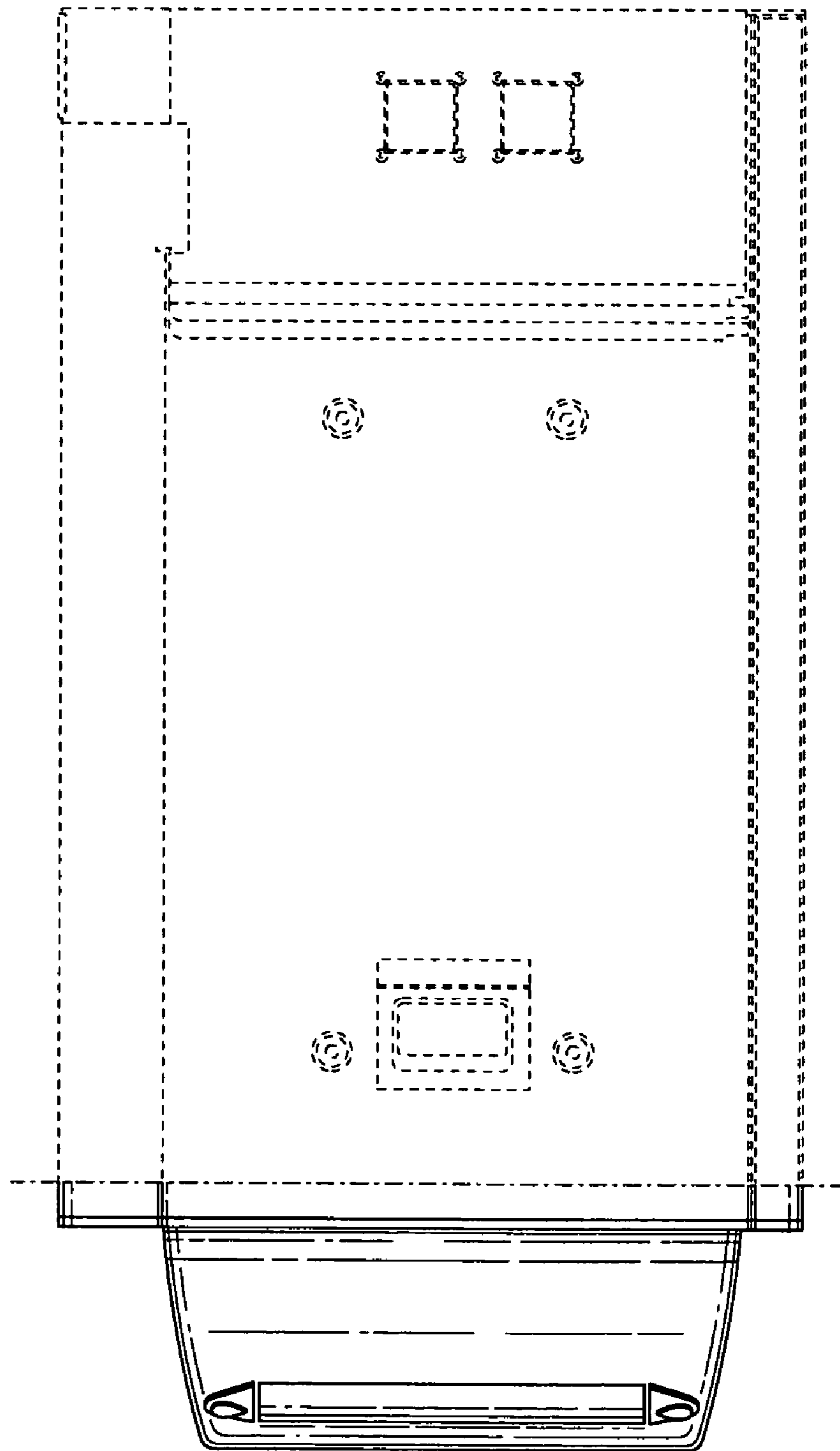


FIG. 19

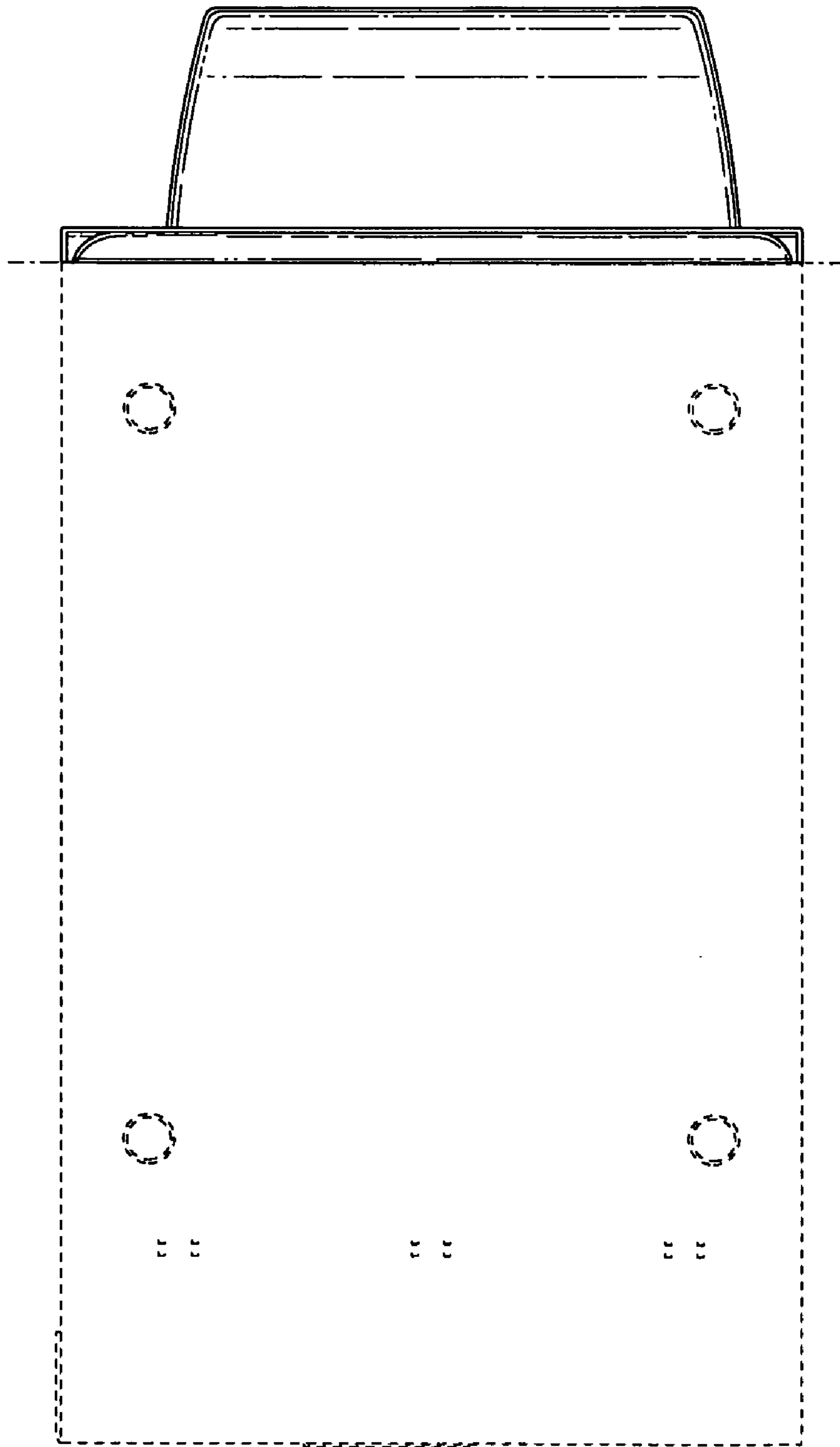


FIG. 20

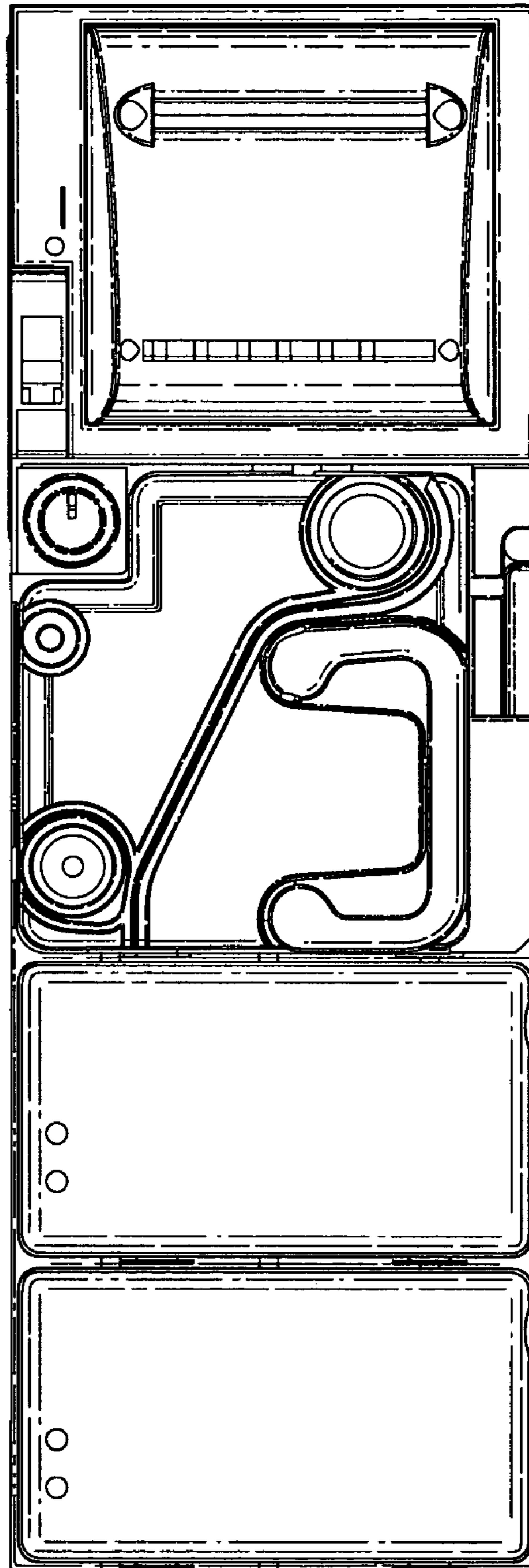


FIG. 21

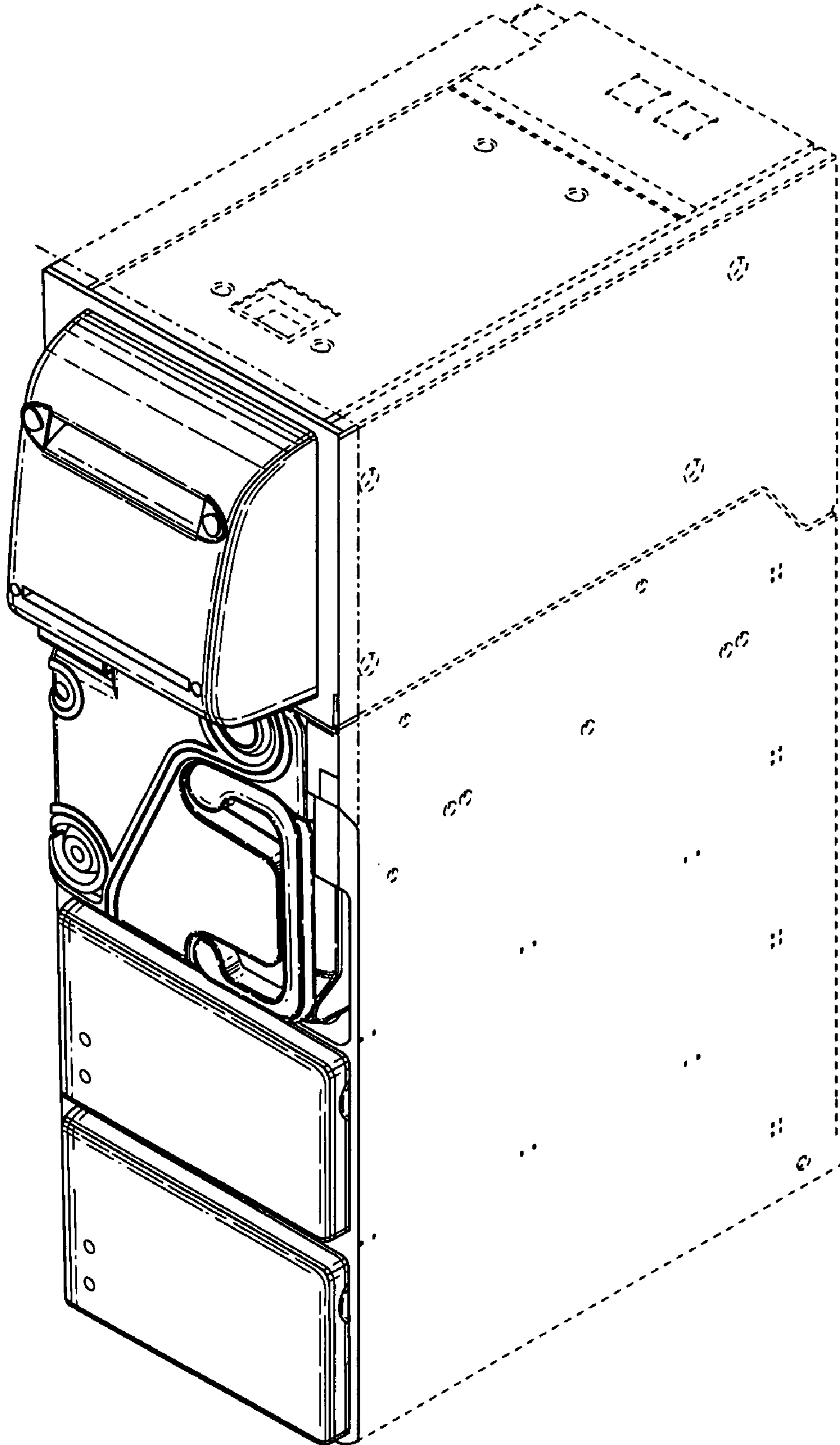


FIG. 22

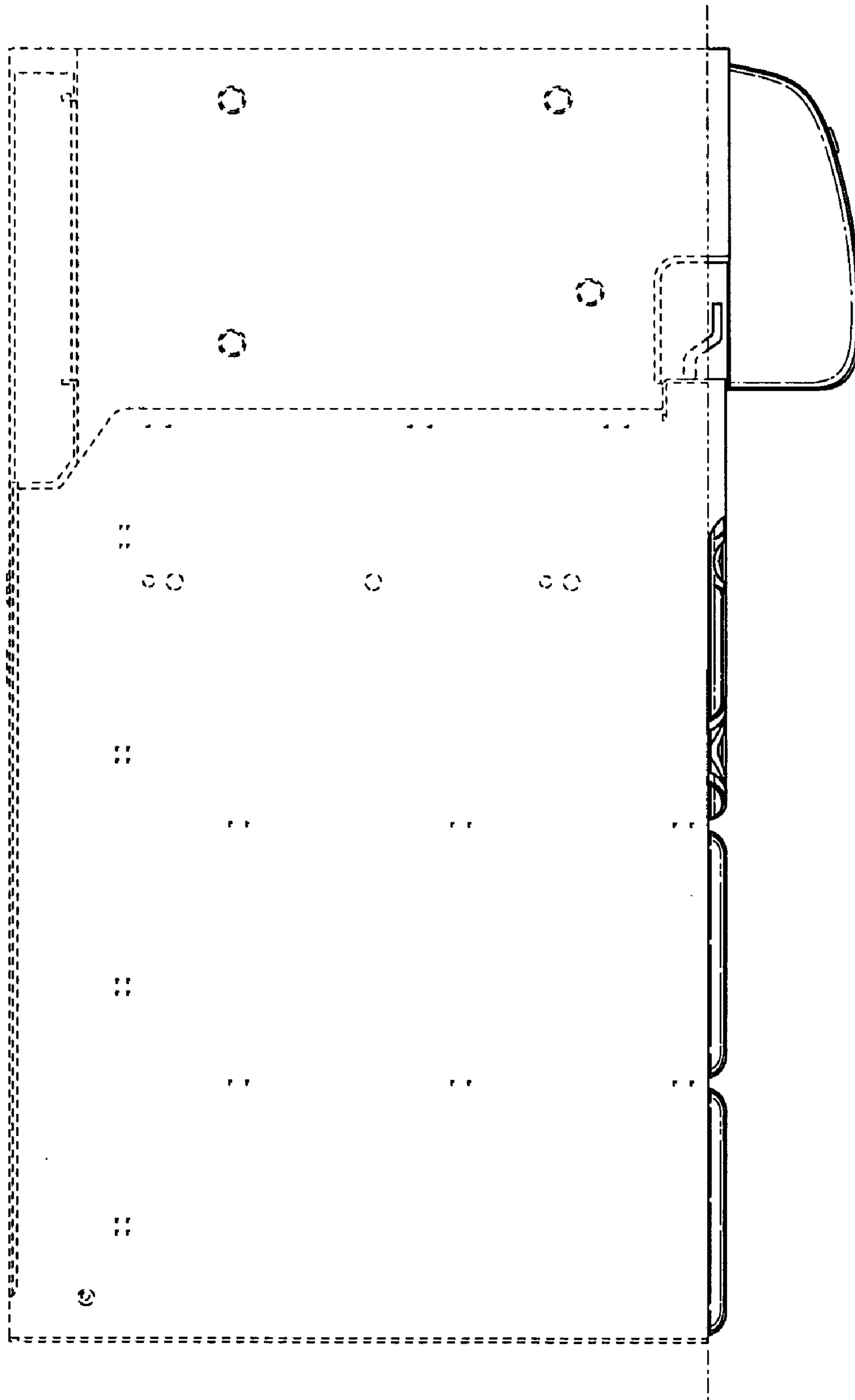


FIG. 23

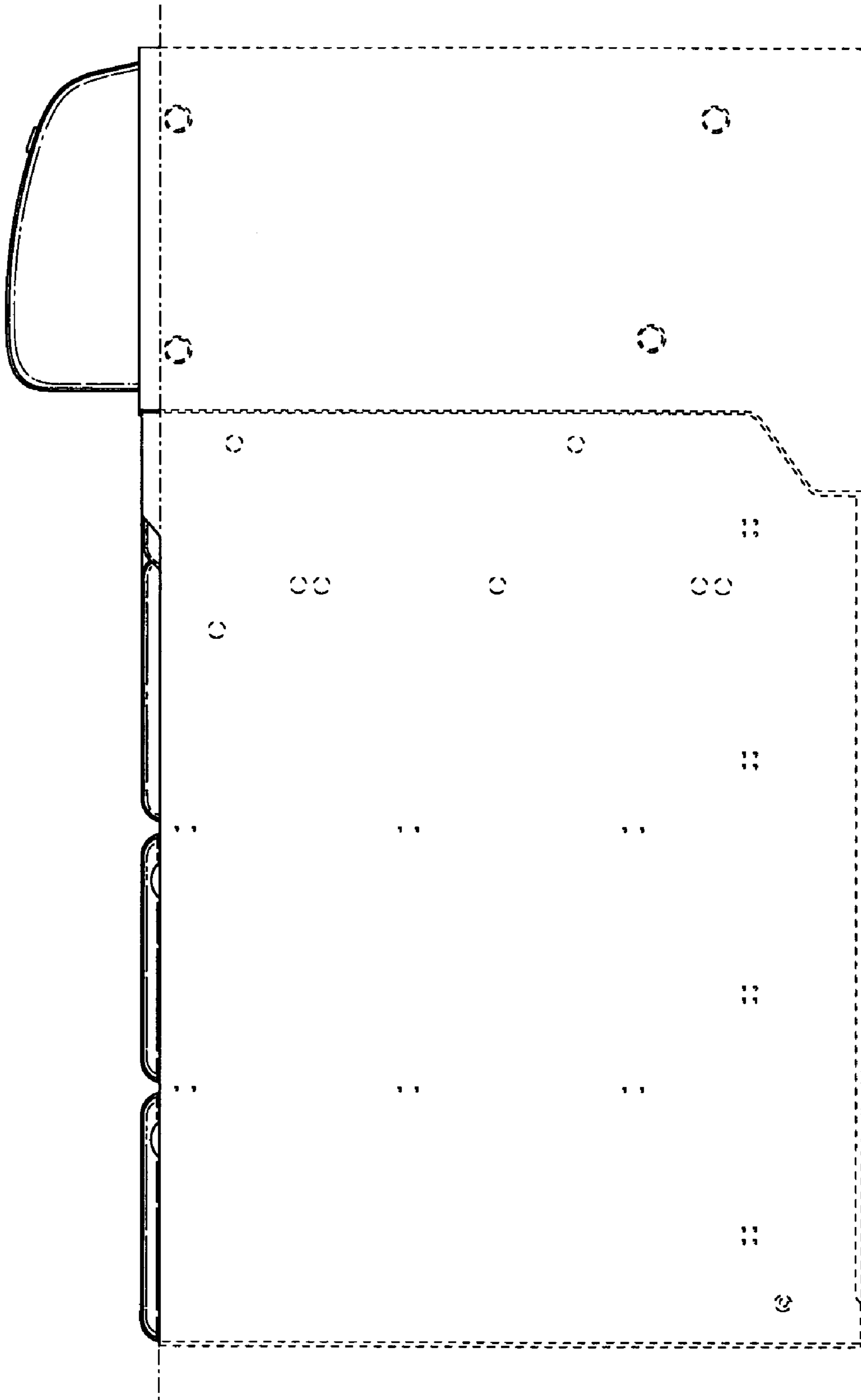


FIG. 24

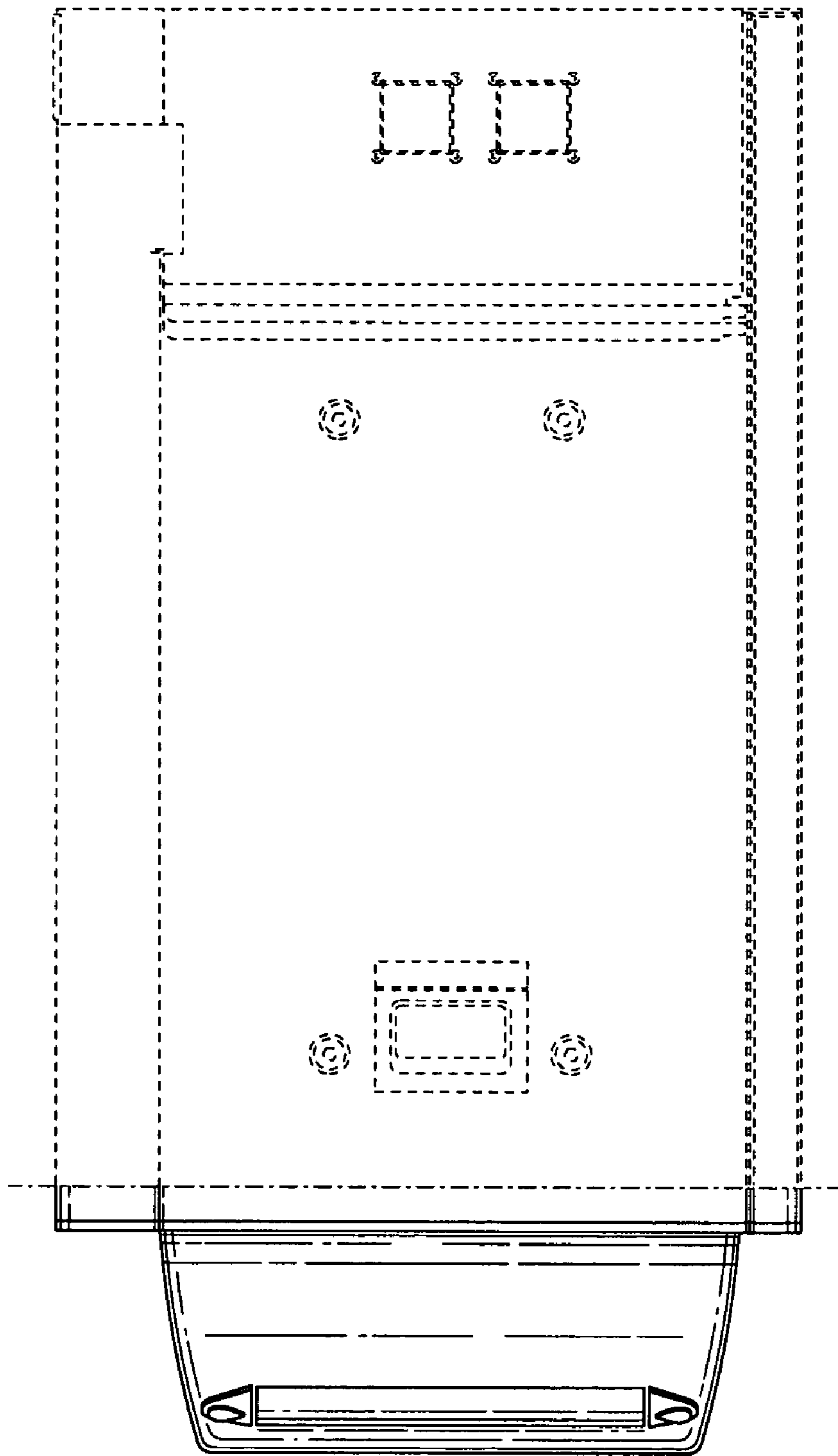


FIG. 25

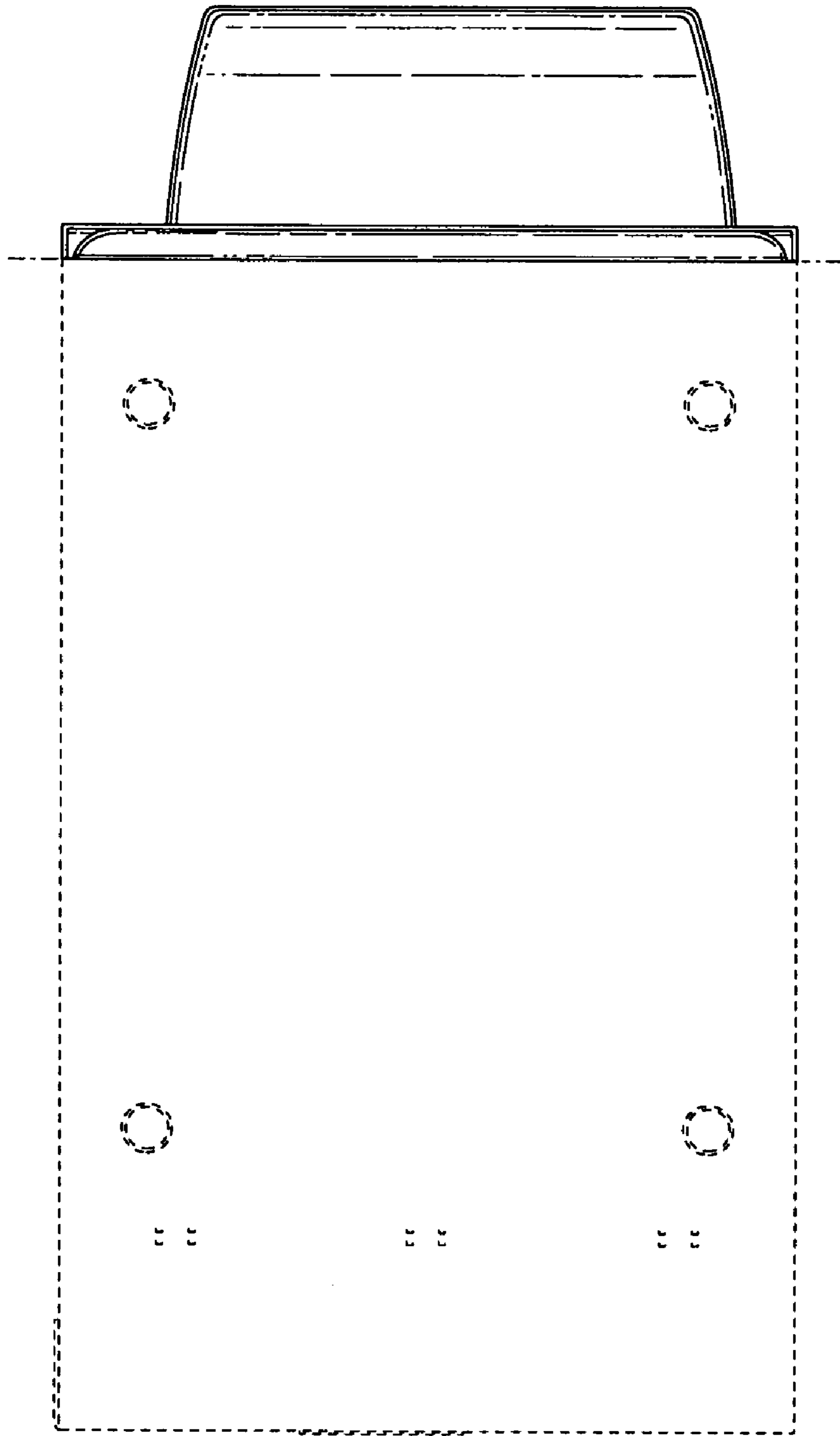


FIG. 26

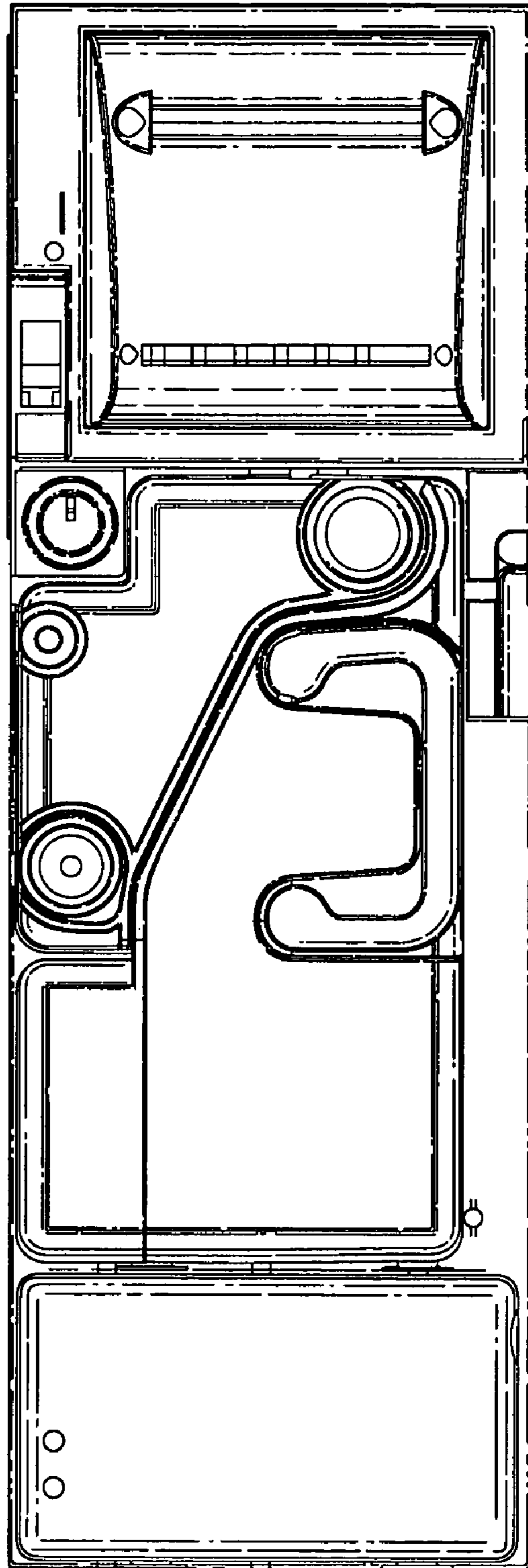


FIG. 27

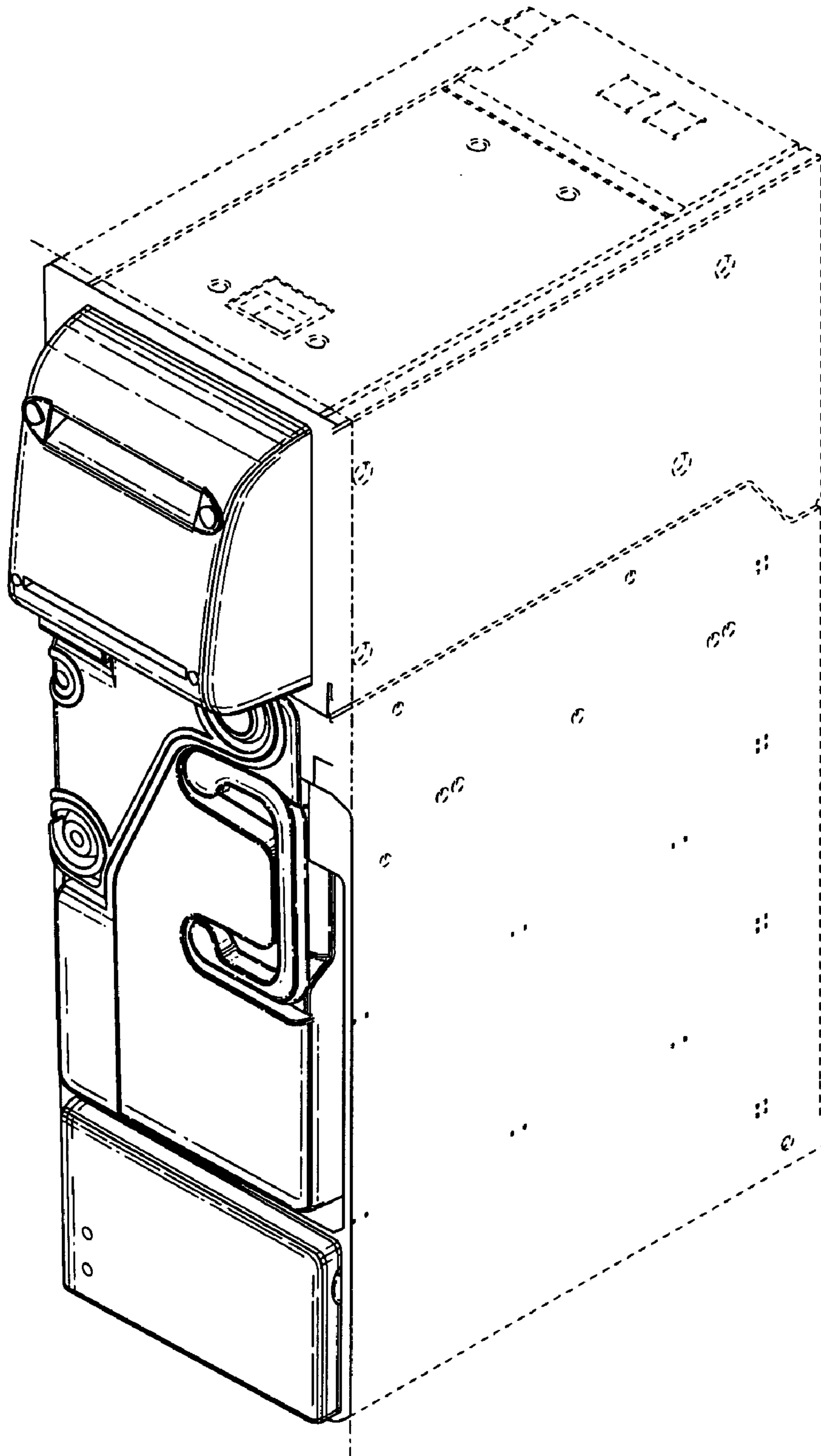


FIG. 28

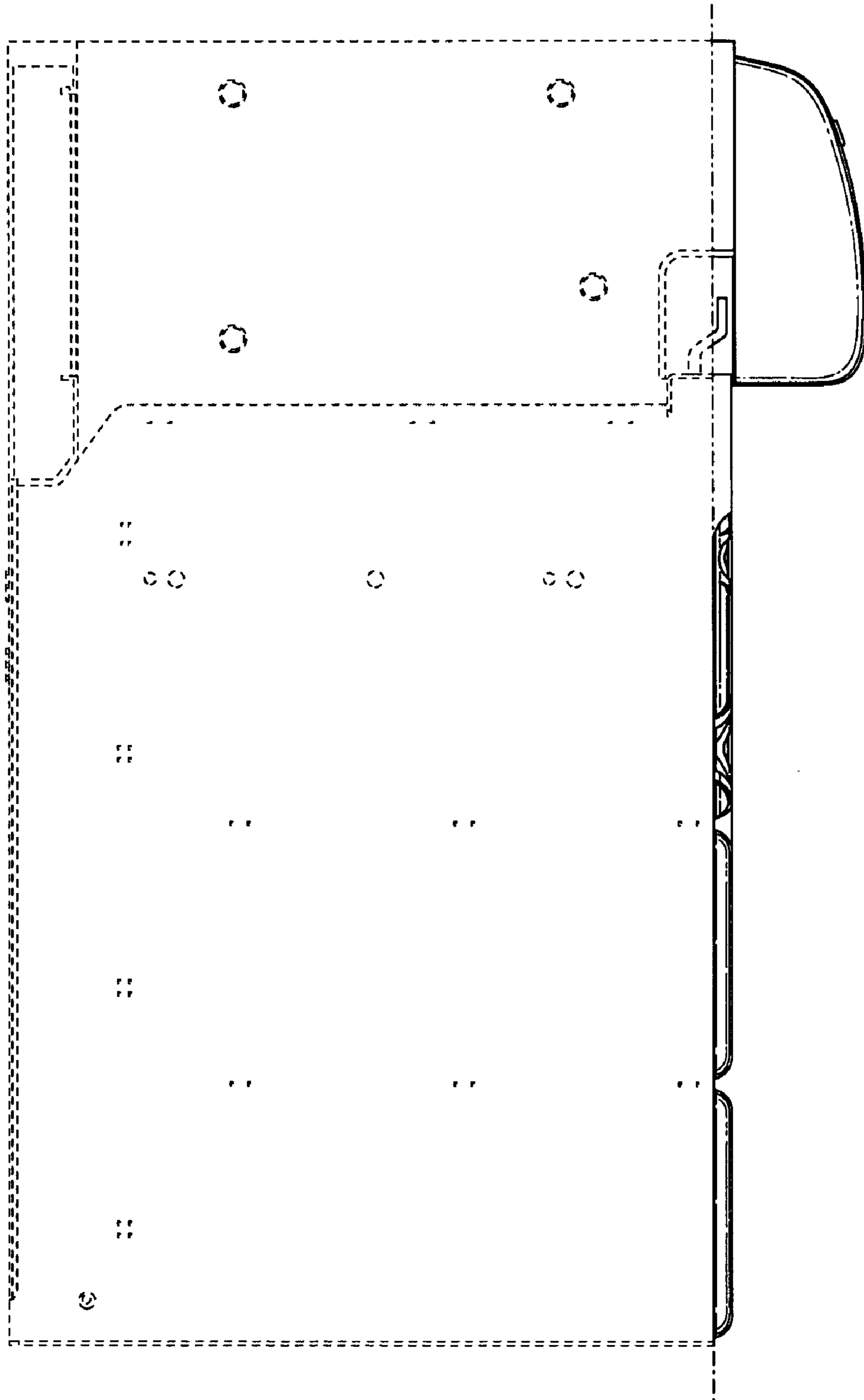


FIG. 29

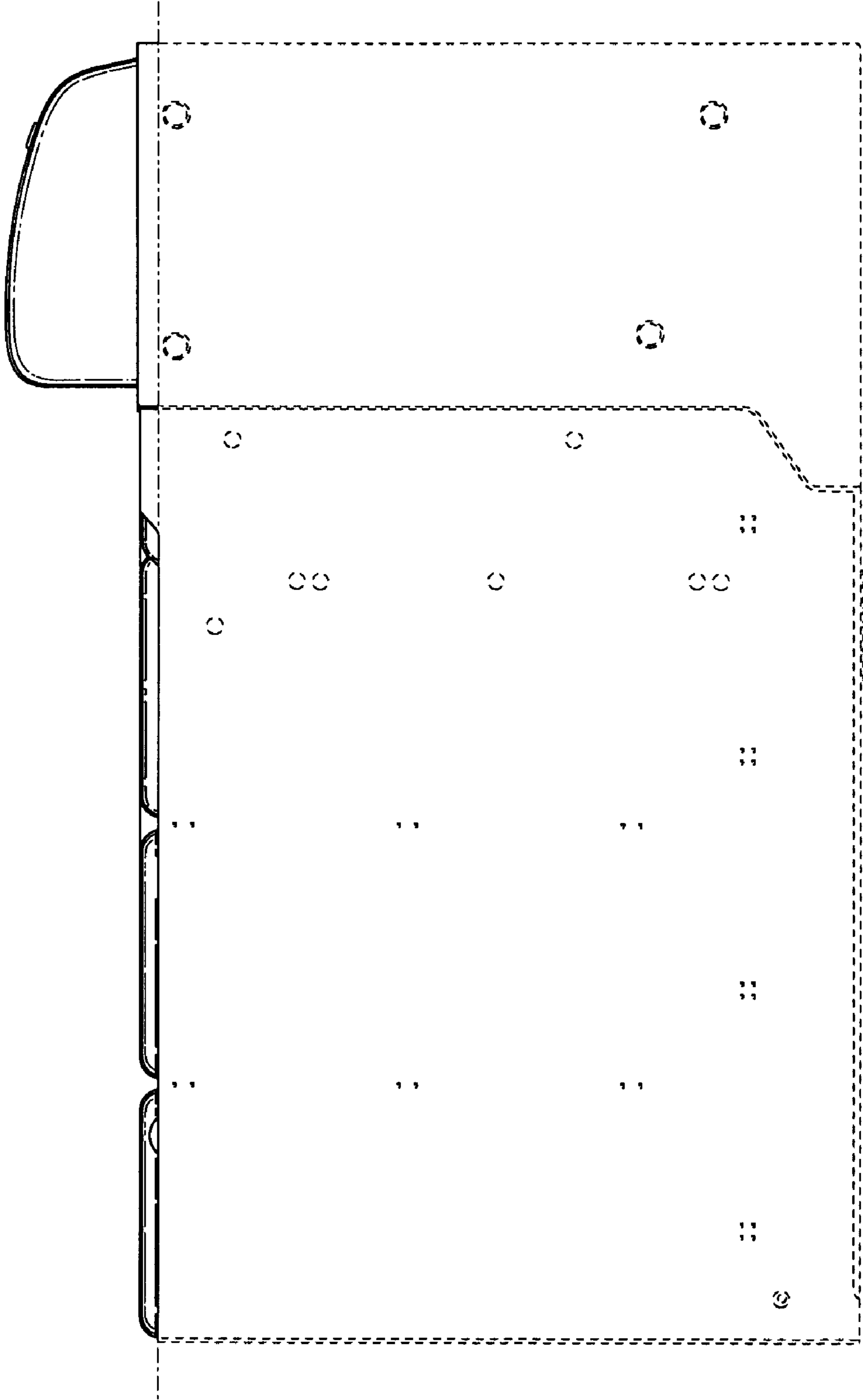


FIG. 30

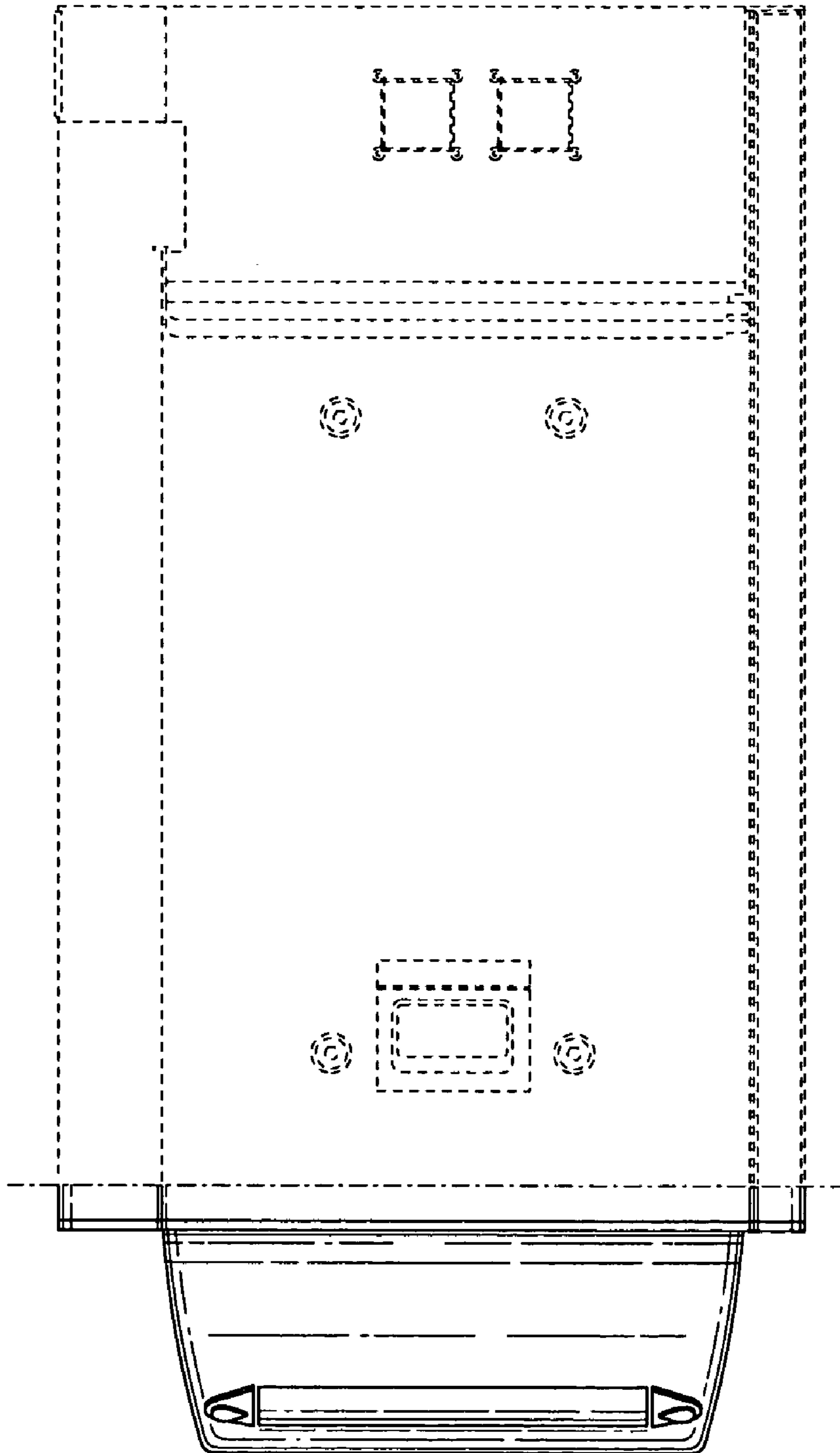


FIG. 31

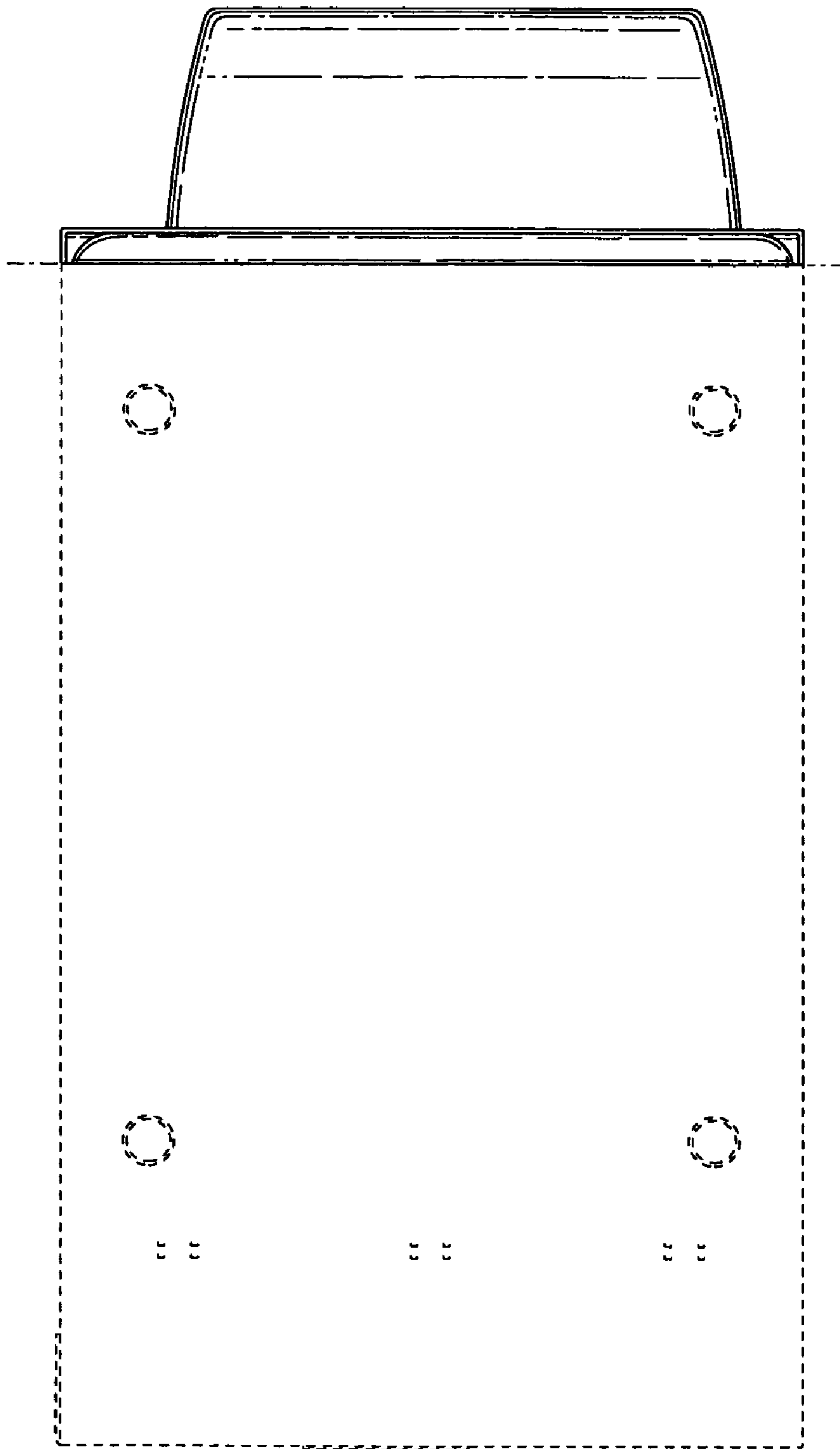


FIG. 32

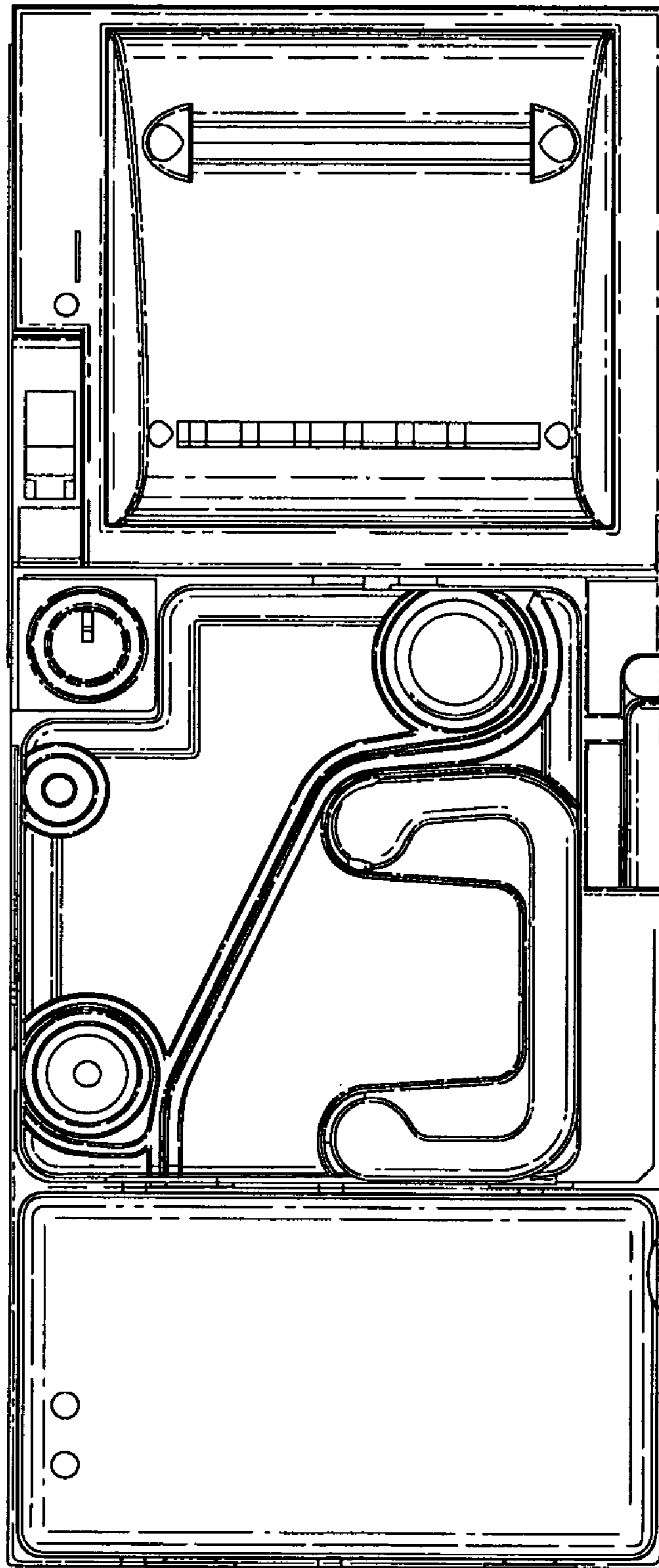


FIG. 33

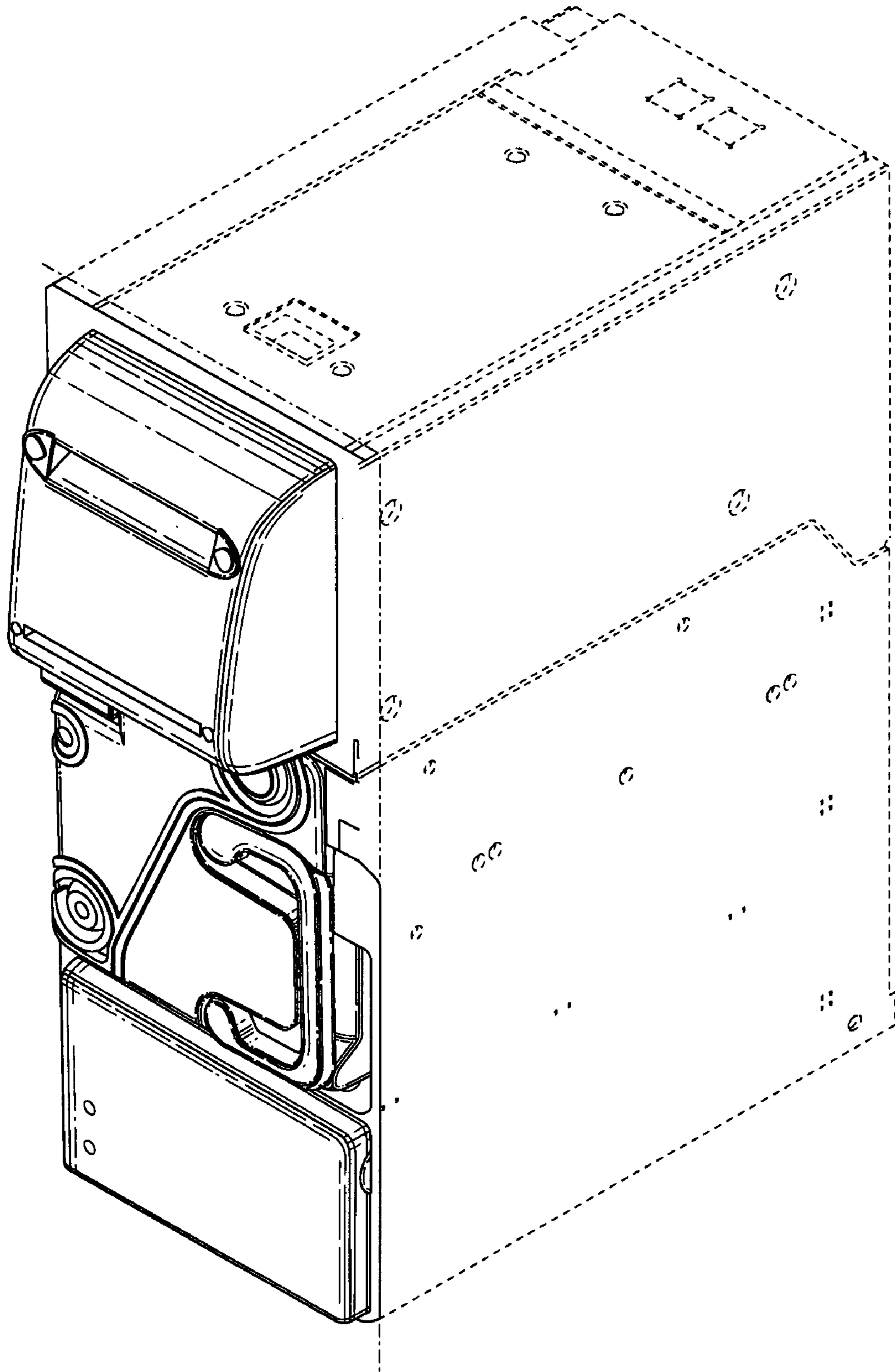


FIG. 34

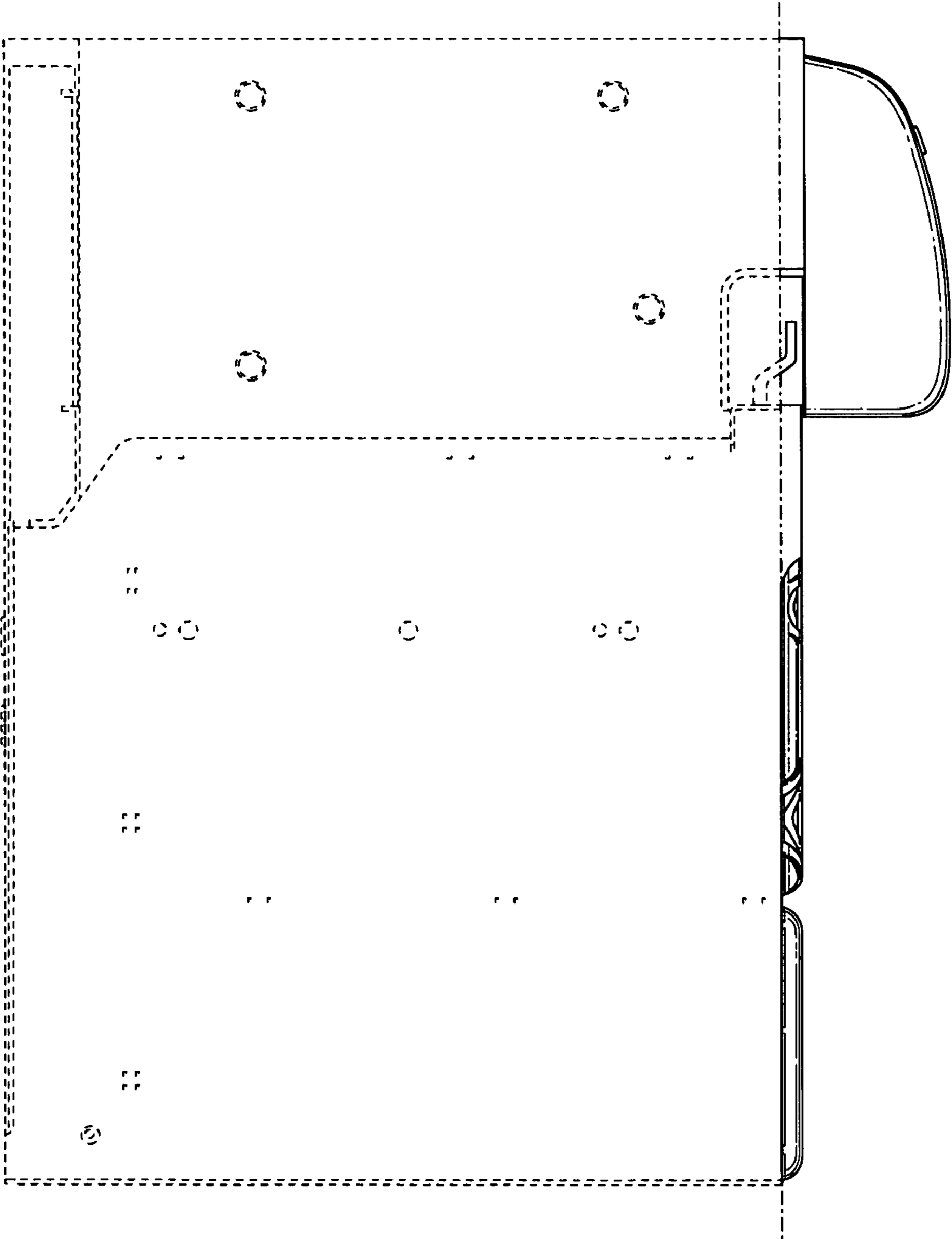


FIG. 35

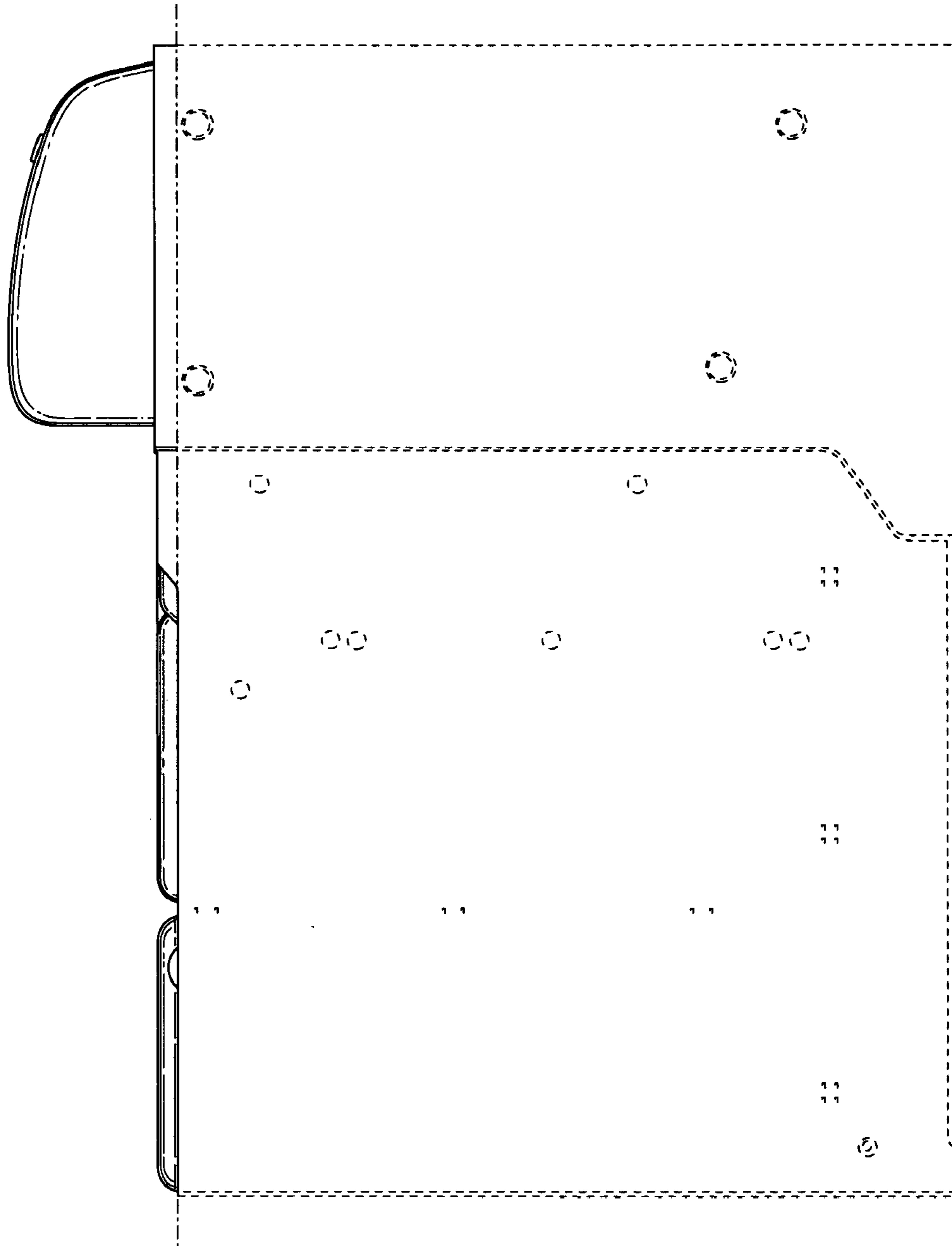


FIG. 36