



US00D617367S

(12) **United States Design Patent**
Gonzalez

(10) **Patent No.:** **US D617,367 S**
(45) **Date of Patent:** **** Jun. 8, 2010**

(54) **SUNGLASSES**

(75) Inventor: **Alvaro Gonzalez**, Florence (IT)

(73) Assignee: **J. Choo Limited**, London (GB)

(**) Term: **14 Years**

(21) Appl. No.: **29/315,002**

(22) Filed: **May 15, 2009**

(30) **Foreign Application Priority Data**

Nov. 17, 2008 (EM) 001042022-0001

(51) **LOC (9) Cl.** **16-06**

(52) **U.S. Cl.** **D16/335; D16/321**

(58) **Field of Classification Search** D16/101,
D16/300-342; D29/109-110; D24/110.2;
351/41, 44, 51-52, 62, 158, 92, 103-123,
351/140, 153, 45-46, 157; 2/426-432, 447-449,
2/441, 434-437, 13, 15; D21/483, 659-661
See application file for complete search history.

(56) **References Cited**

U.S. PATENT DOCUMENTS

D245,169 S 7/1977 Teufelhart
D294,951 S * 3/1988 Shelton et al. D16/321
D374,883 S * 10/1996 Luzlbauer D16/326
D507,882 S 8/2005 Gonzalez

D513,518 S * 1/2006 Stables D16/326
D515,616 S * 2/2006 Stables D16/321
D532,438 S * 11/2006 Yang D16/321
D582,967 S * 12/2008 Serlenga D16/326
D591,331 S * 4/2009 McLaughlin D16/321
D596,660 S 7/2009 Gonzalez

* cited by examiner

Primary Examiner—Raphael Barkai

(74) *Attorney, Agent, or Firm*—Fross, Zelnick, Lehrman & Zissu, P.C.; Lawrence E. Apolzon, Esq.

(57) **CLAIM**

The ornamental design for sunglasses, as shown and described.

DESCRIPTION

FIG. 1 is a front perspective view of sunglasses showing my new design;

FIG. 2 is a left side view of the sunglasses shown in FIG. 1;

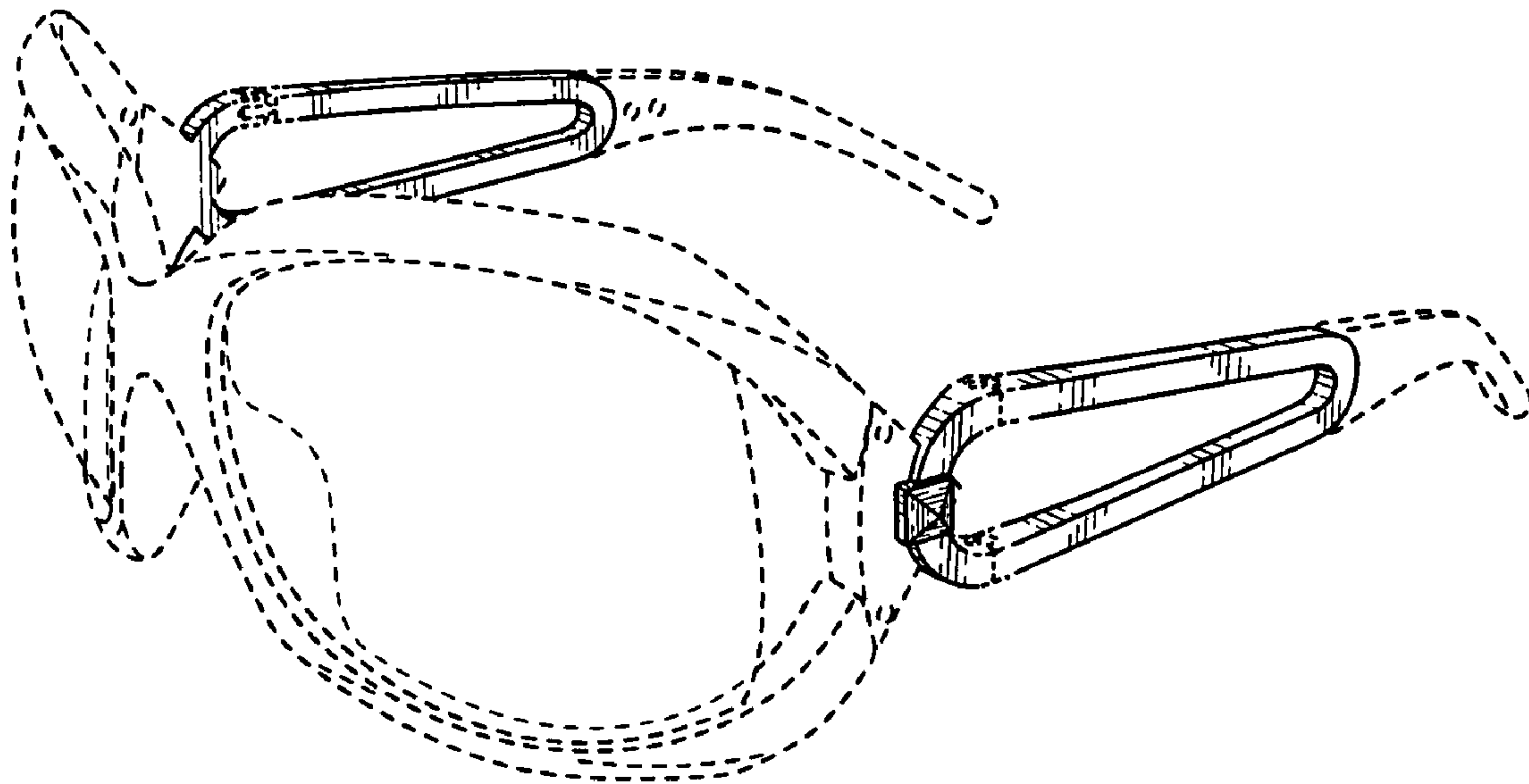
FIG. 3 is a right side view of the sunglasses shown in FIG. 1;

FIG. 4 is a top view of the sunglasses shown in FIG. 1; and,

FIG. 5 is a bottom view of the sunglasses shown in FIG. 1.

The broken line showing of the sunglasses frame, portions of the arms, screws, and hinges is for illustrative purposes only and forms no part of the claimed design.

1 Claim, 4 Drawing Sheets



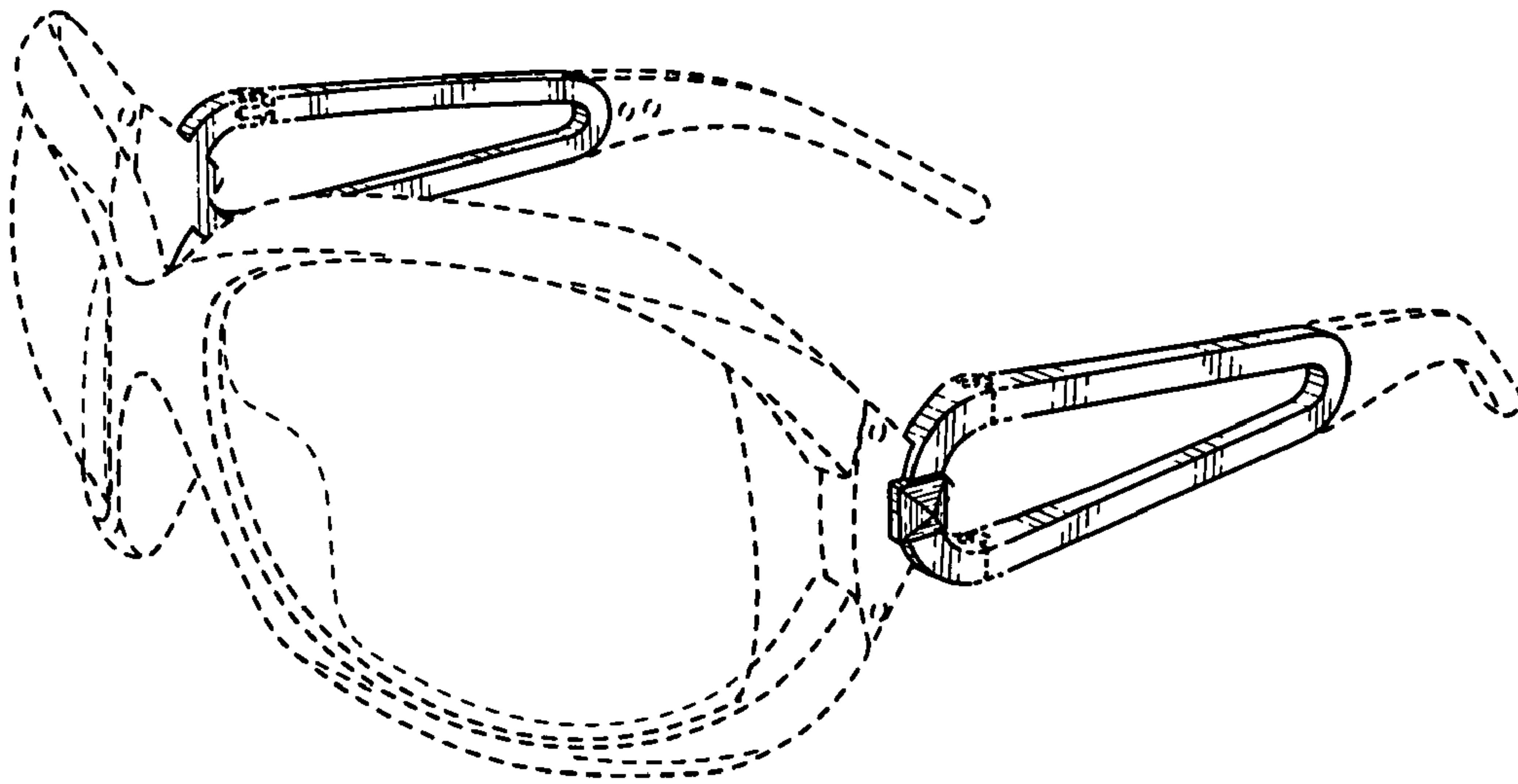


FIG. 1

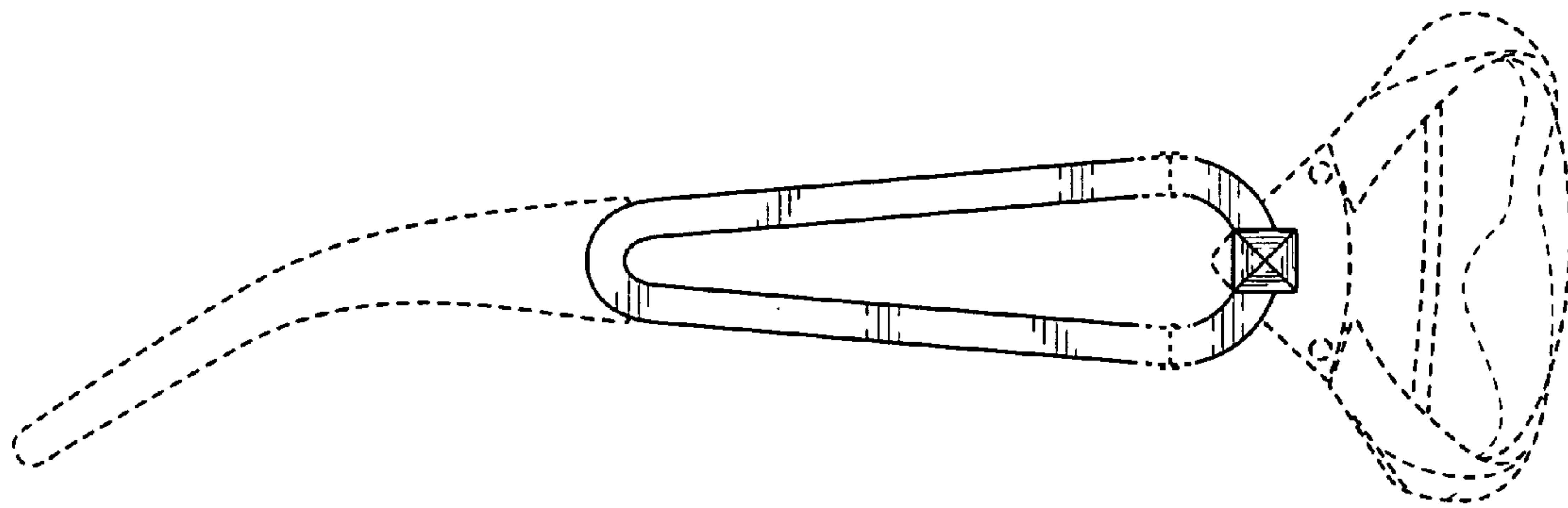


FIG. 2

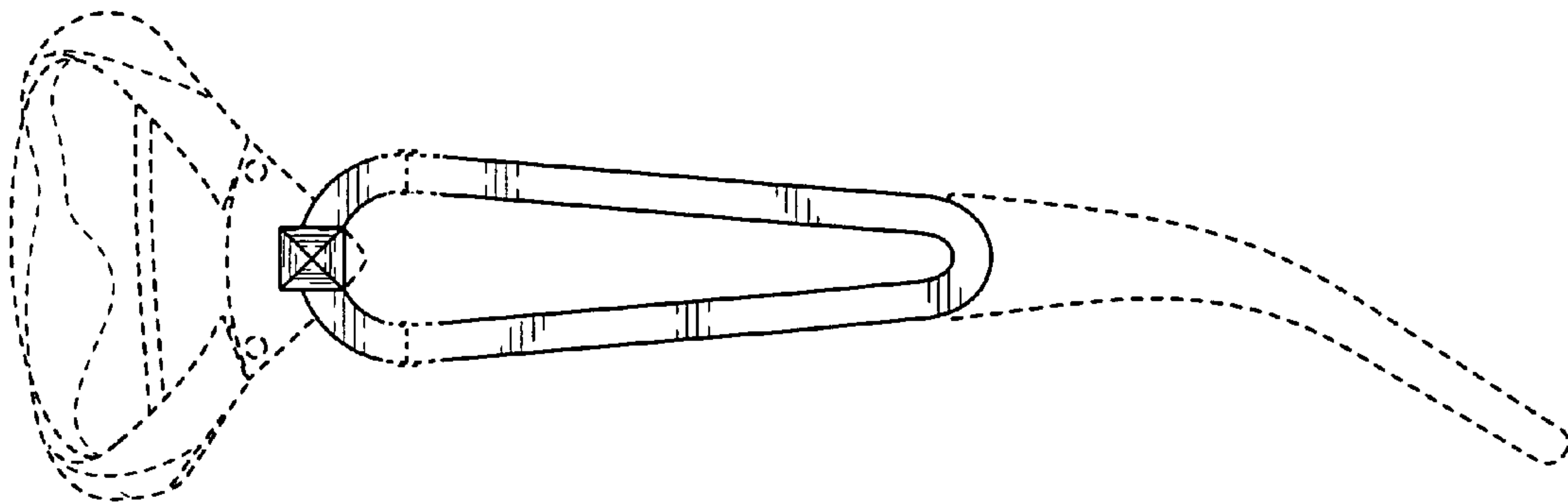


FIG. 3

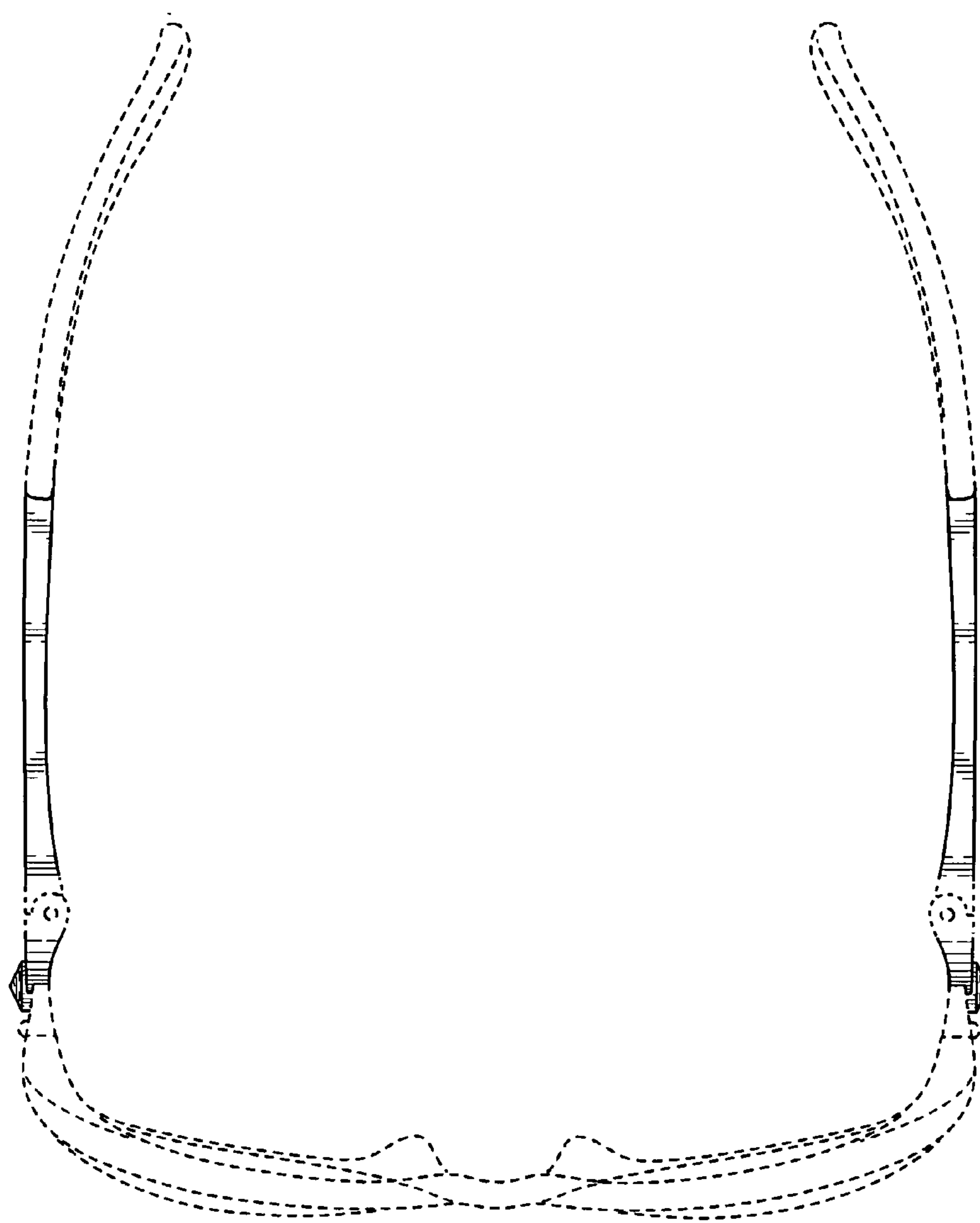


FIG. 4

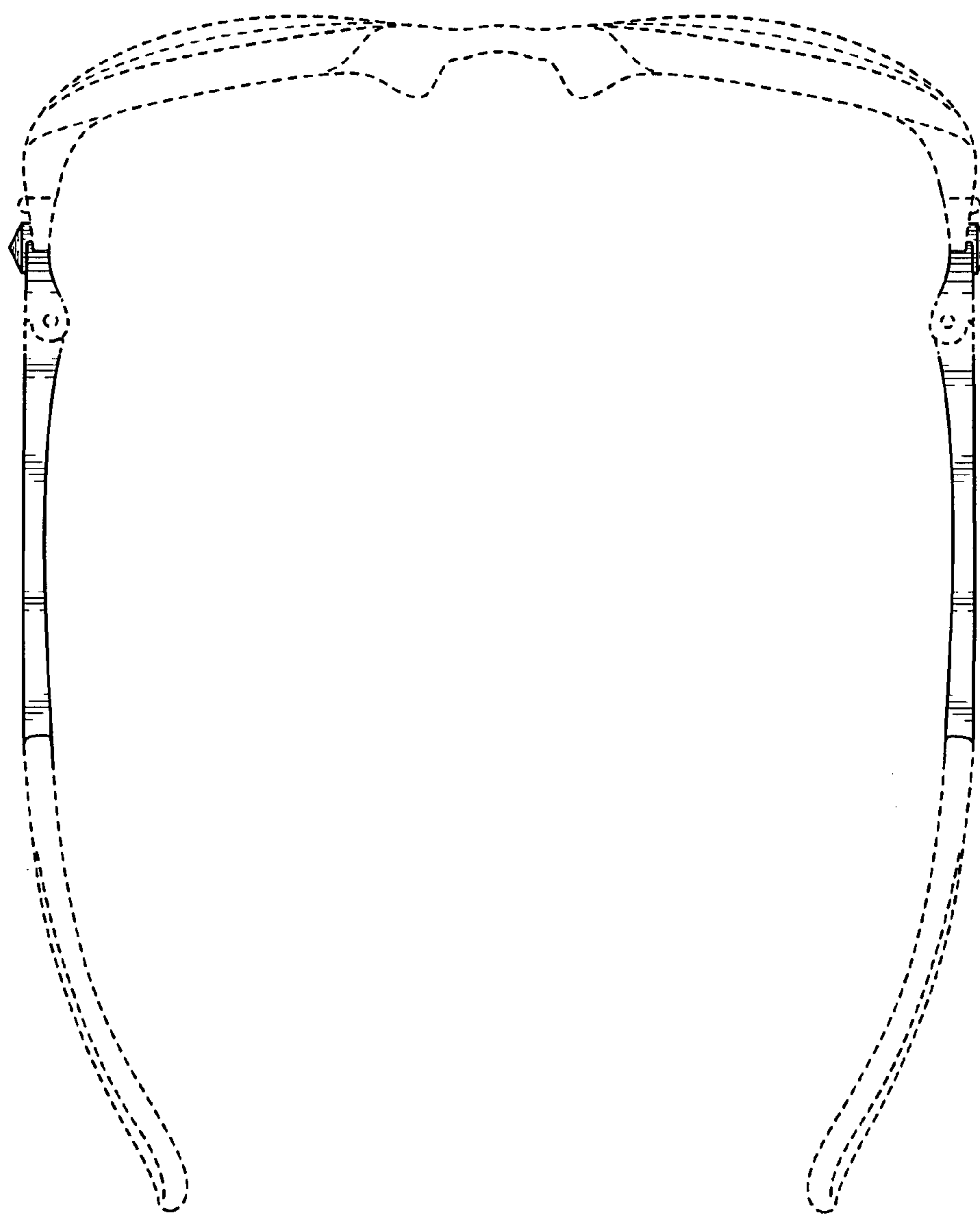


FIG. 5