



US00D617362S

(12) **United States Design Patent**  
**Olien**

(10) **Patent No.:** **US D617,362 S**  
(45) **Date of Patent:** **\*\* Jun. 8, 2010**

(54) **POST MOUNTING DEVICE**

(76) Inventor: **Michael A. Olien**, 17431 Sweet Song Dr., Tomball, TX (US) 77377

(\*\*) Term: **14 Years**

(21) Appl. No.: **29/336,317**

(22) Filed: **Apr. 30, 2009**

(51) **LOC (9) Cl.** ..... **16-05**

(52) **U.S. Cl.** ..... **D16/242; D6/495; D6/496**

(58) **Field of Classification Search** ..... D6/491,  
D6/495, 496; D16/242, 244, 245; 248/176.1,  
248/177.1, 178.1, 187.1; 352/343; 396/329,  
396/419, 427, 428

See application file for complete search history.

(56) **References Cited**

**U.S. PATENT DOCUMENTS**

1,463,446	A *	7/1923	Snowden	.....	396/428
2,336,104	A *	12/1943	Laube et al.	.....	248/178.1
D226,135	S *	1/1973	Horn	.....	D16/242
4,687,170	A	8/1987	Beaver		
D337,224	S *	7/1993	Shimonovite	.....	D6/495
D386,332	S *	11/1997	Grosfillex	.....	D6/495
D447,365	S *	9/2001	Chi	.....	D6/495
D480,239	S *	10/2003	Risdall	.....	D6/495
7,440,027	B2	10/2008	Weaver		
2005/0265711	A1	12/2005	Heibel		
2008/0107413	A1	5/2008	Moore		

\* cited by examiner

*Primary Examiner*—Adir Aronovich

(74) *Attorney, Agent, or Firm*—John K. Buche; Scott Compton; Buche & Associates, P.C.

(57) **CLAIM**

The ornamental design for a post mounting device, as shown and described.

**DESCRIPTION**

FIG. 1 is a front perspective view of a post mounting device showing my new design, wherein the features shown in broken lines depict environmental subject matter only and form no part of the claimed design;

FIG. 2 is a front elevational view of the same, wherein the features shown in broken lines depict environmental subject matter only and form no part of the claimed design;

FIG. 3 is a back elevational view of the same, wherein the features shown in broken lines depict environmental subject matter only and form no part of the claimed design;

FIG. 4 is a right side elevational view of the same, wherein the features shown in broken lines depict environmental subject matter only and form no part of the claimed design;

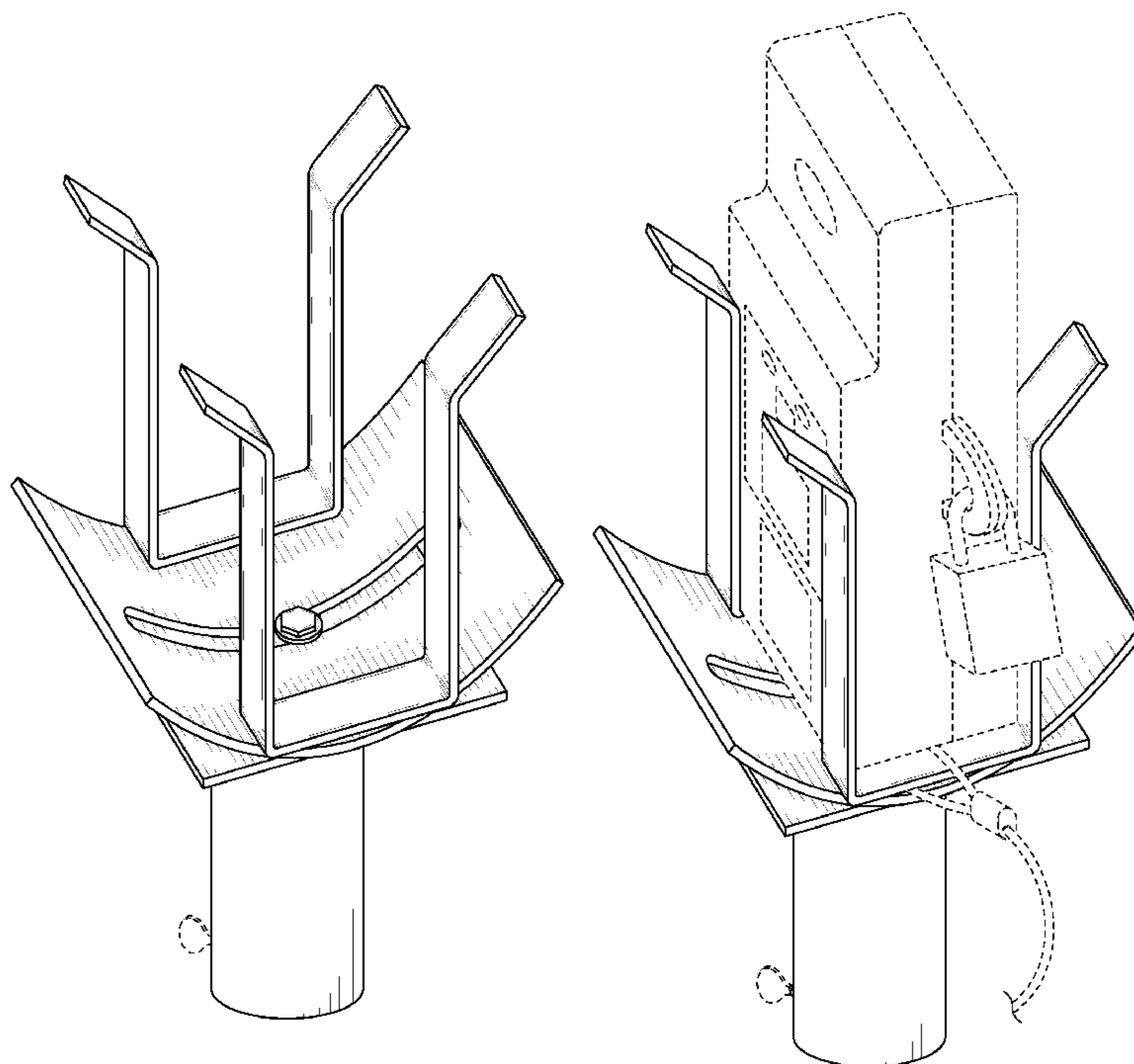
FIG. 5 is a left side elevational view of the same;

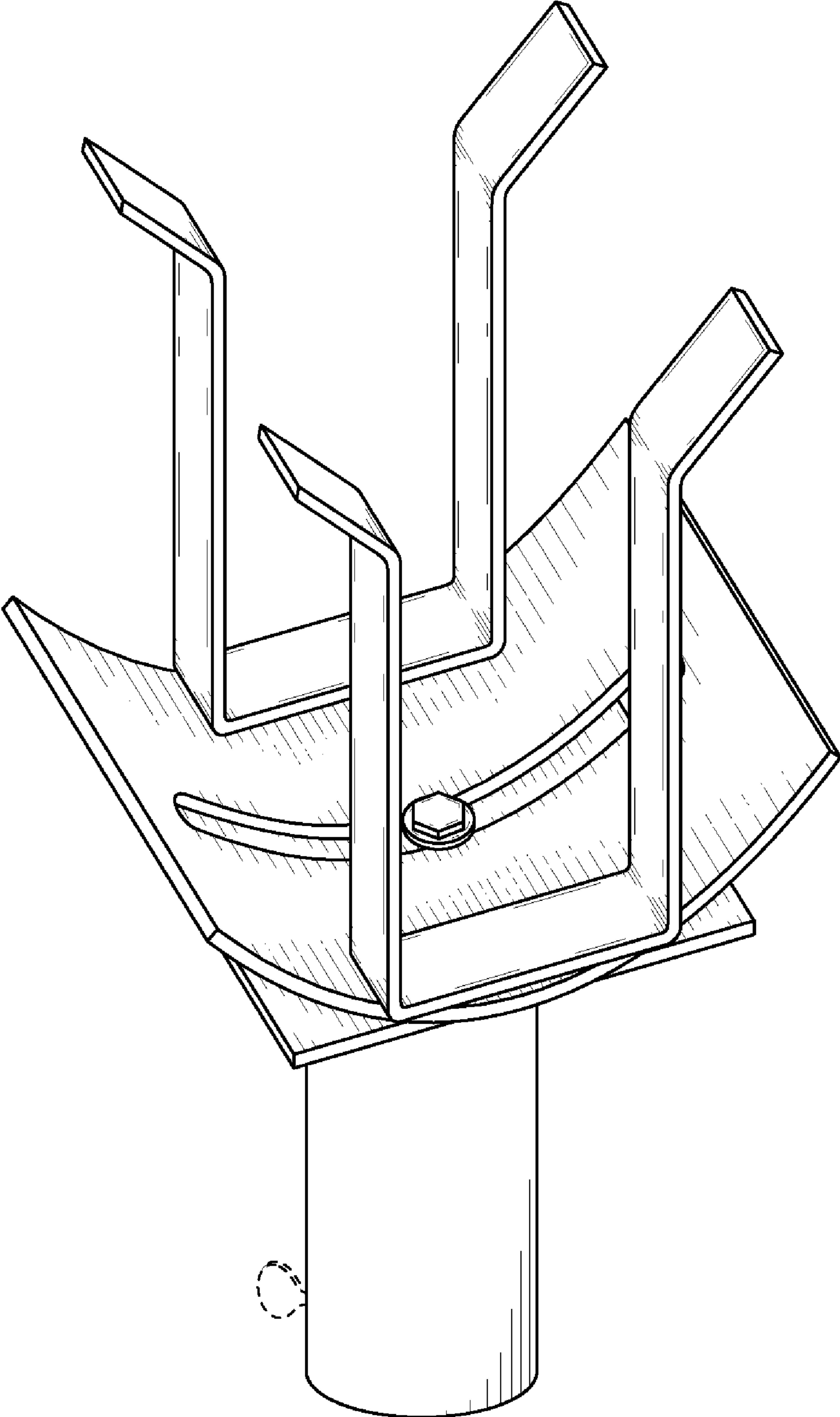
FIG. 6 is a top plan view of the same;

FIG. 7 is a bottom plan view of the same, wherein the features shown in broken lines depict environmental subject matter only and form no part of the claimed design; and,

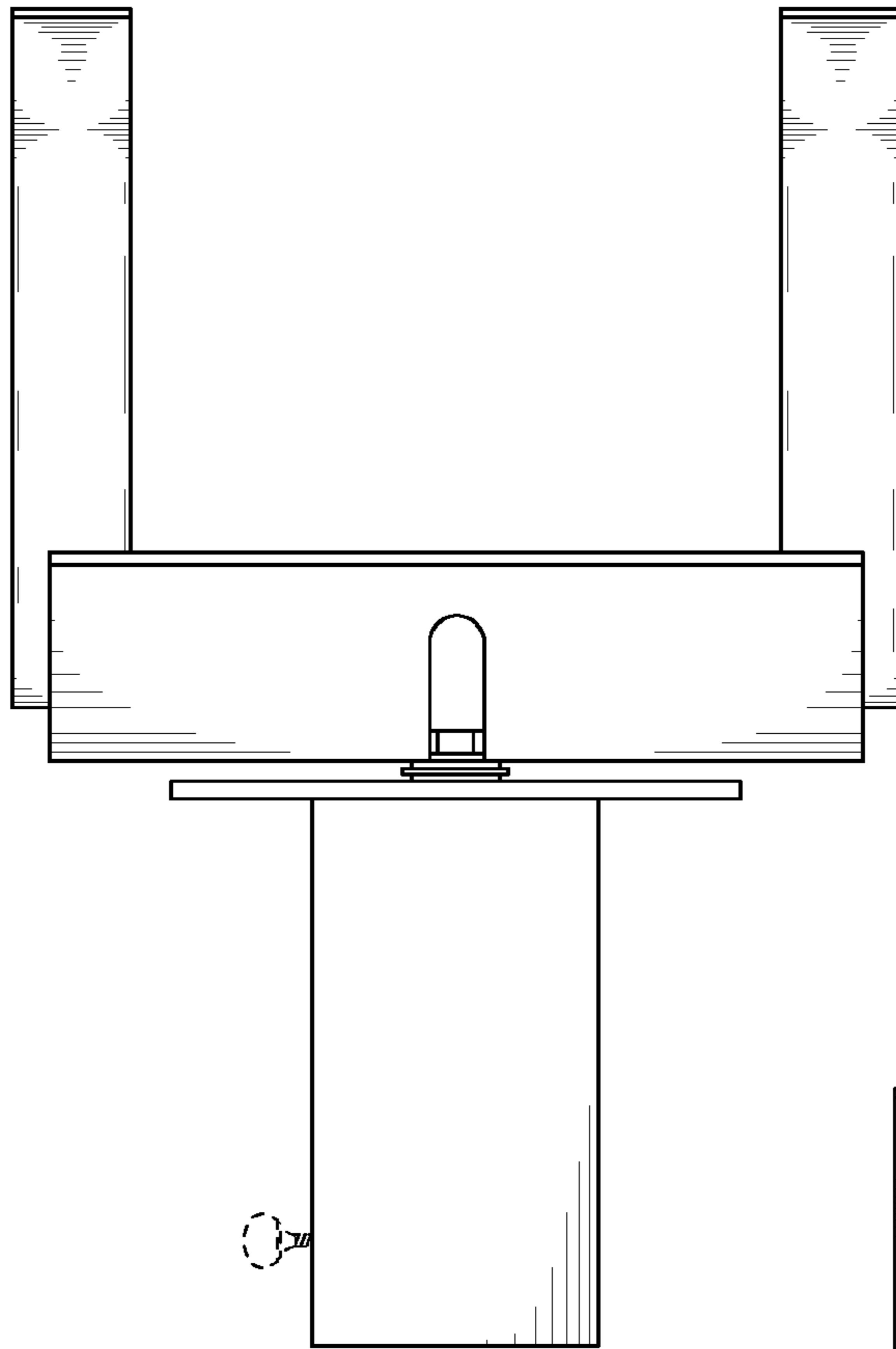
FIG. 8 is a front perspective view of the post mounting device, wherein the features shown in broken lines depict environmental subject matter only and form no part of the claimed design.

**1 Claim, 5 Drawing Sheets**

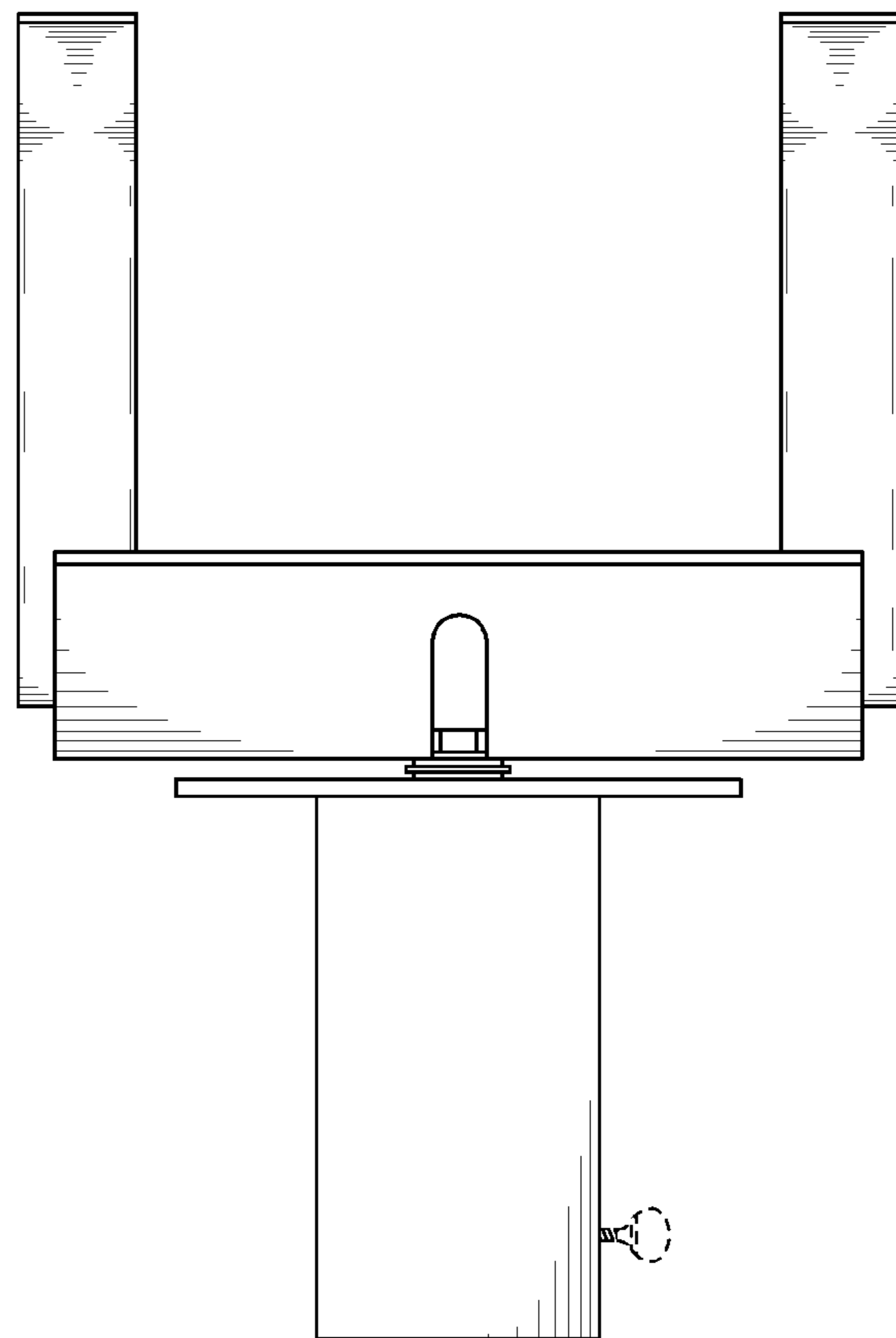




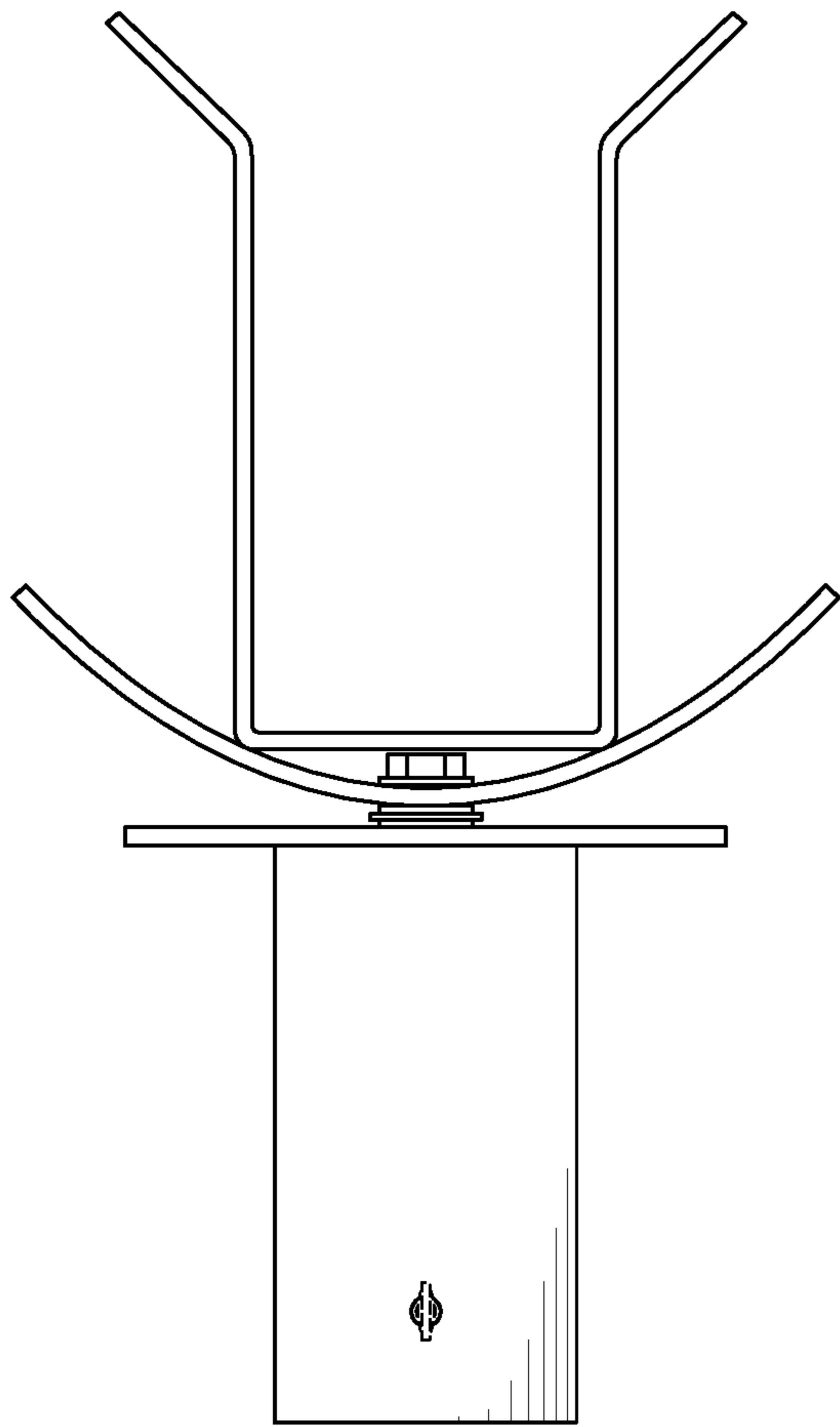
**FIG. 1**



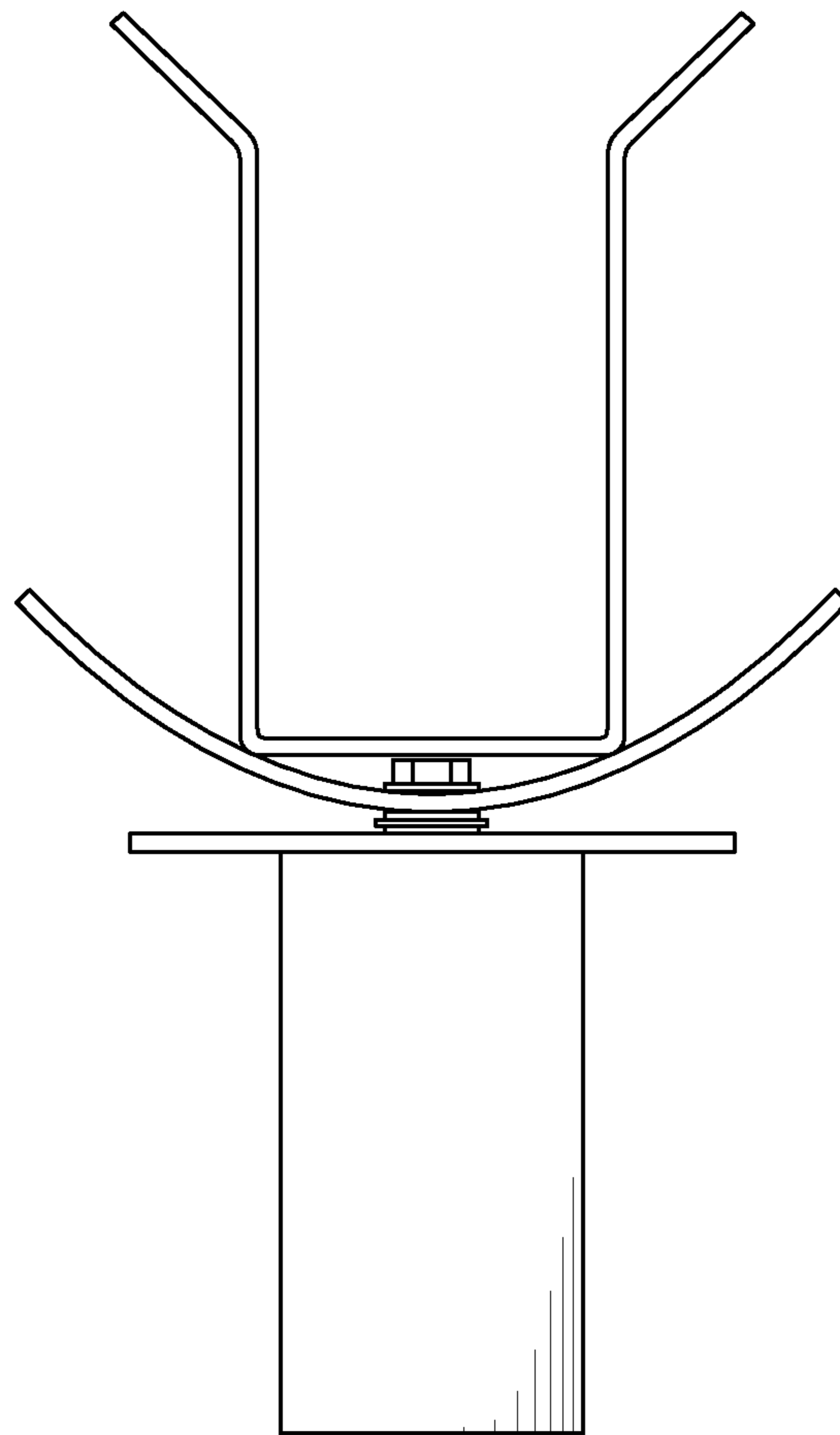
**FIG. 2**



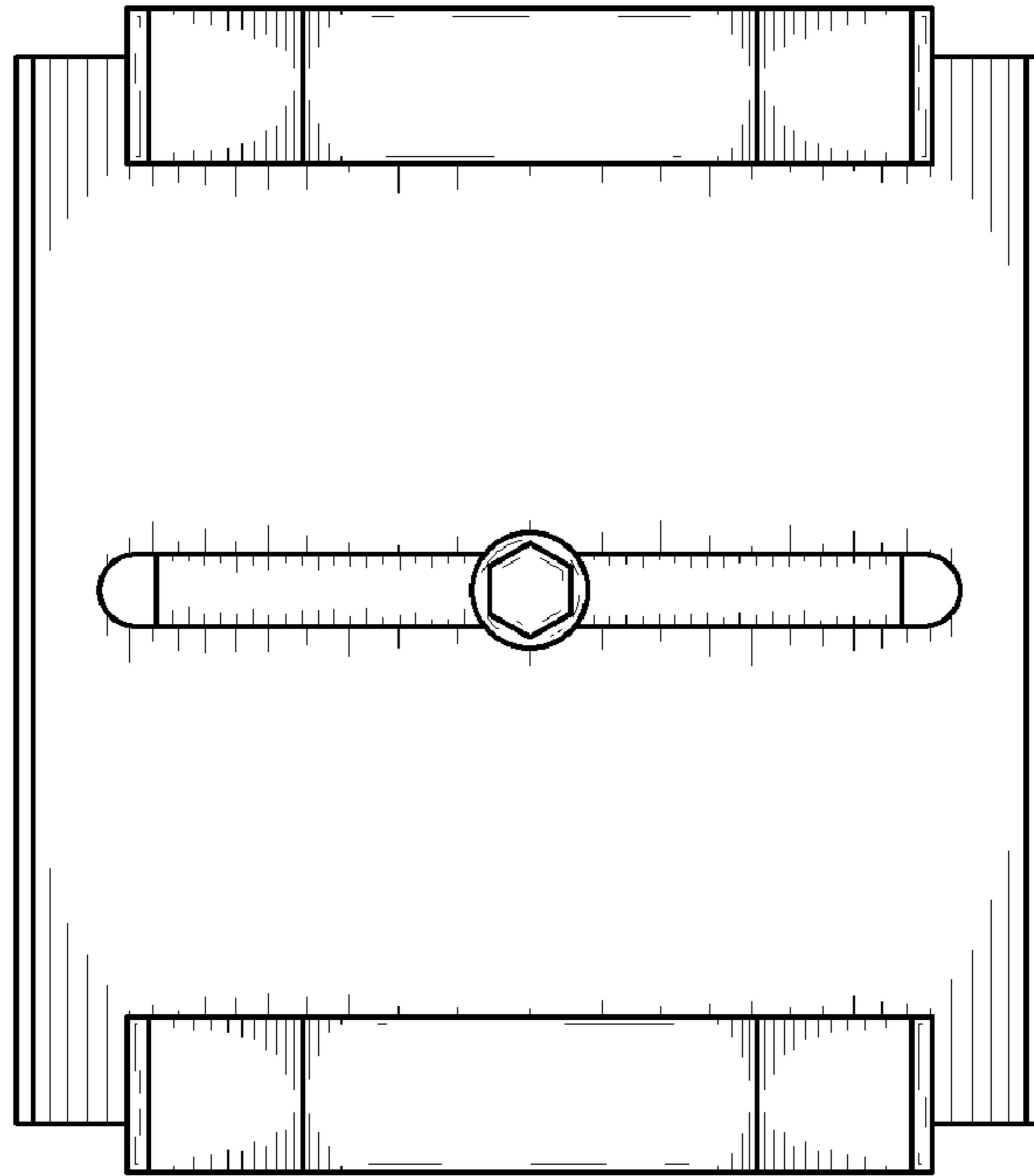
**FIG. 3**



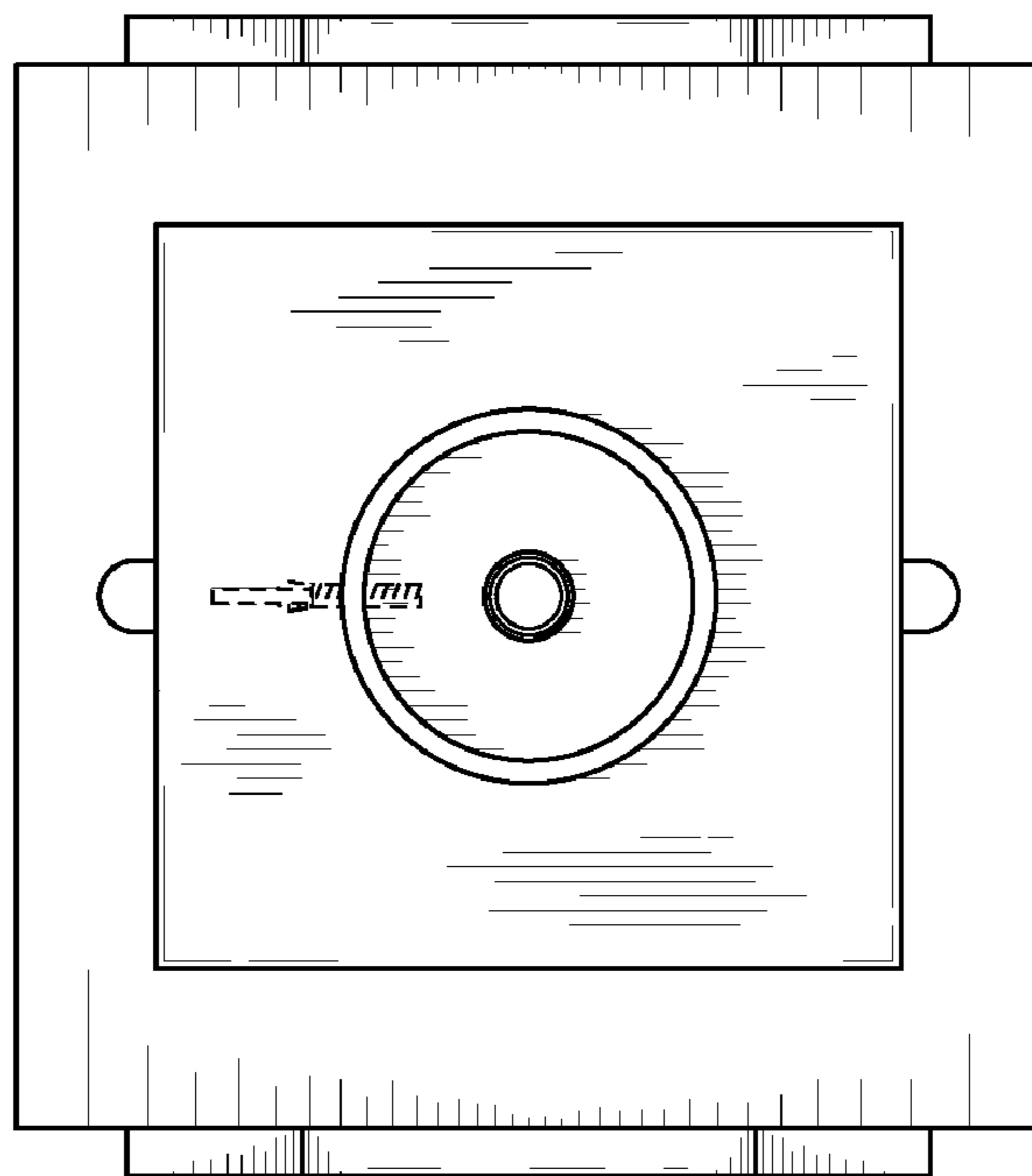
**FIG. 4**



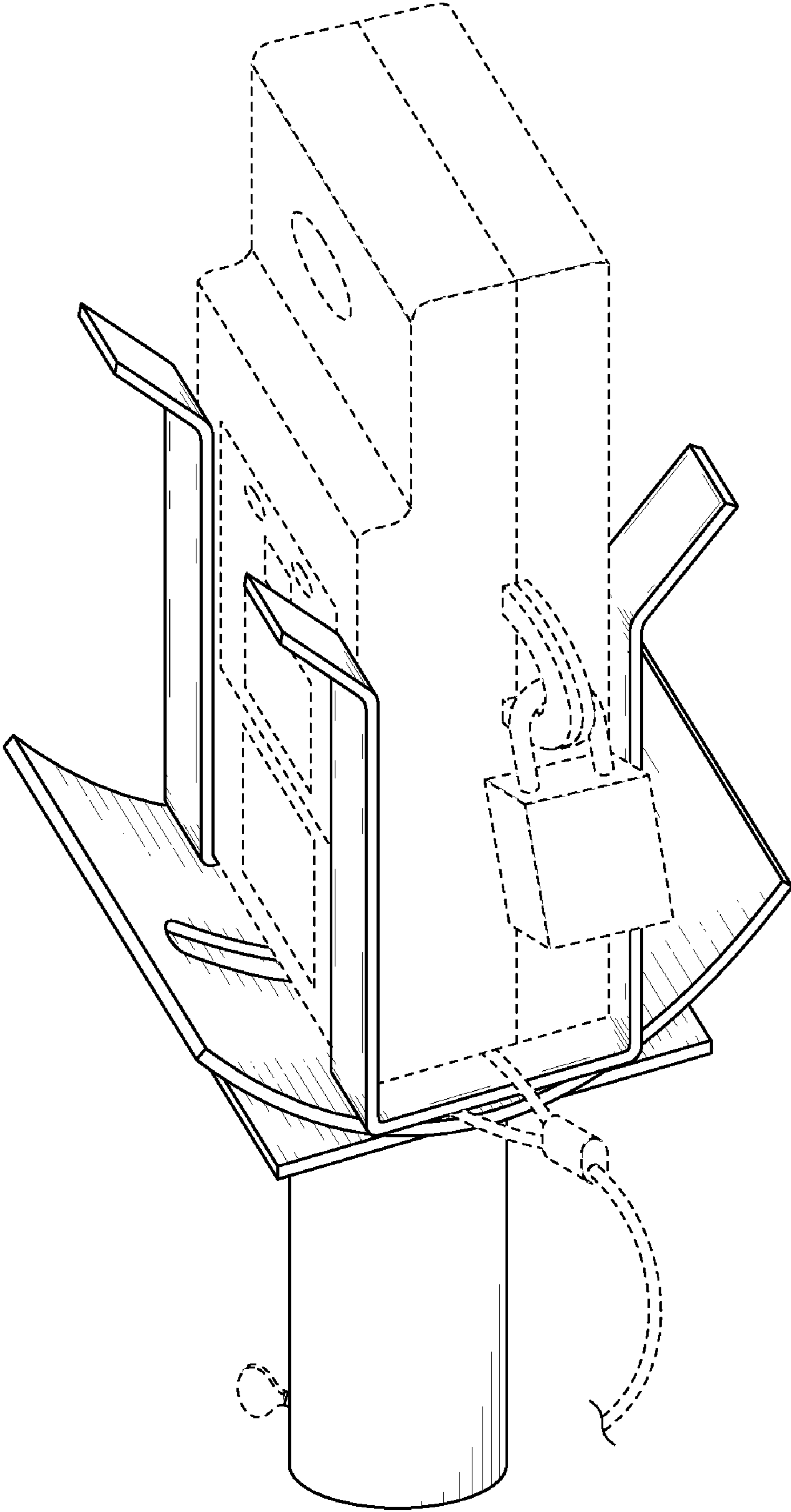
**FIG. 5**



**FIG. 6**



**FIG. 7**



**FIG. 8**