



US00D617361S

(12) **United States Design Patent**
Simonsen et al.

(10) **Patent No.:** **US D617,361 S**
(45) **Date of Patent:** **** Jun. 8, 2010**

(54) **3D IMAGING DEVICE**

(75) Inventors: **Peter Simonsen, Østerbro (DK); Clas Dyrholm Christensen, Østerbro (DK)**

(73) Assignee: **RealFiction (DK)**

(**) Term: **14 Years**

(21) Appl. No.: **29/332,917**

(22) Filed: **Feb. 27, 2009**

(30) **Foreign Application Priority Data**

Nov. 18, 2008 (EM) 001041289-0001

(51) **LOC (9) Cl.** **16-02**

(52) **U.S. Cl.** **D16/225; D6/449**

(58) **Field of Classification Search** D16/221,
D16/225, 229, 230, 233, 215, 222; D6/396,
D6/449; 348/333.1, 333.11, 333.12, 51,
348/54; 382/154; 345/6; 359/462, 471,
359/479, 726

See application file for complete search history.

(56) **References Cited**

U.S. PATENT DOCUMENTS

- 3,462,214 A * 8/1969 Glenn, Jr. D16/225
- 5,357,277 A * 10/1994 Nakayoshi et al. 348/54
- 6,072,600 A * 6/2000 Wertsberger D16/229
- 6,414,746 B1 * 7/2002 Stettner et al. 250/332

- 7,057,581 B1 * 6/2006 Knabenbauer 345/6
- D564,256 S * 3/2008 Simonsen D6/449
- 2008/0144175 A1 * 6/2008 Simonsen 359/479

FOREIGN PATENT DOCUMENTS

- EM 000835806-0001 1/2008
- EM 000852108-0001 1/2008

* cited by examiner

Primary Examiner—Ian Simmons

Assistant Examiner—Wan Laymon

(74) *Attorney, Agent, or Firm*—Renner, Otto, Boisselle & Sklar, LLP

(57) **CLAIM**

The ornamental design for a 3D imaging device, as shown and described.

DESCRIPTION

FIG. 1 is a front perspective view showing our design according to a first embodiment;

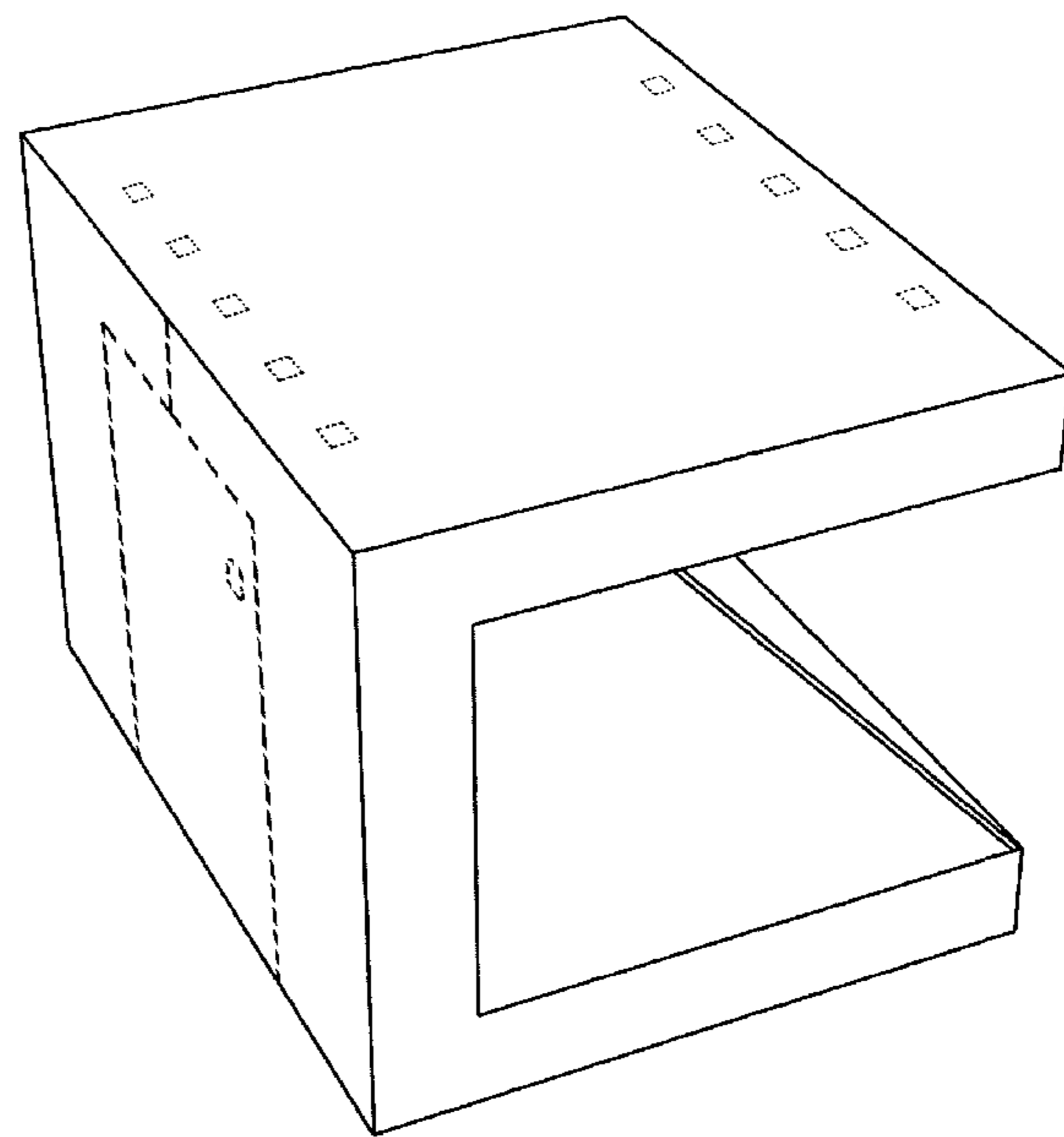
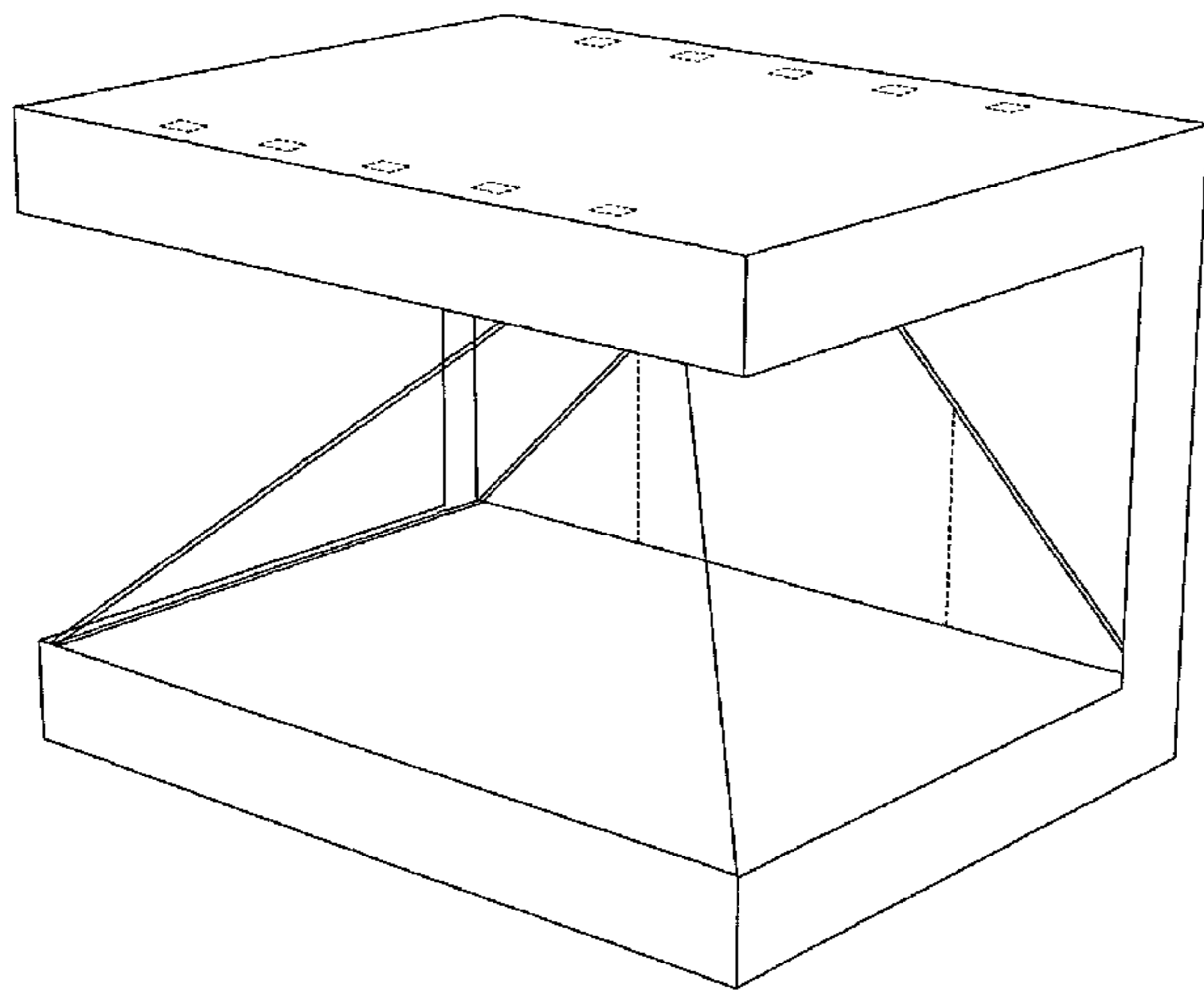
FIG. 2 is a rear perspective view thereof;

FIG. 3 is front view thereof; and,

FIG. 4 is a right side view thereof, the left side view being a mirror image thereof.

The broken line showing portions of a 3D imaging device is included for the purpose of illustrating environmental structure and forms no part of the claimed design.

1 Claim, 4 Drawing Sheets



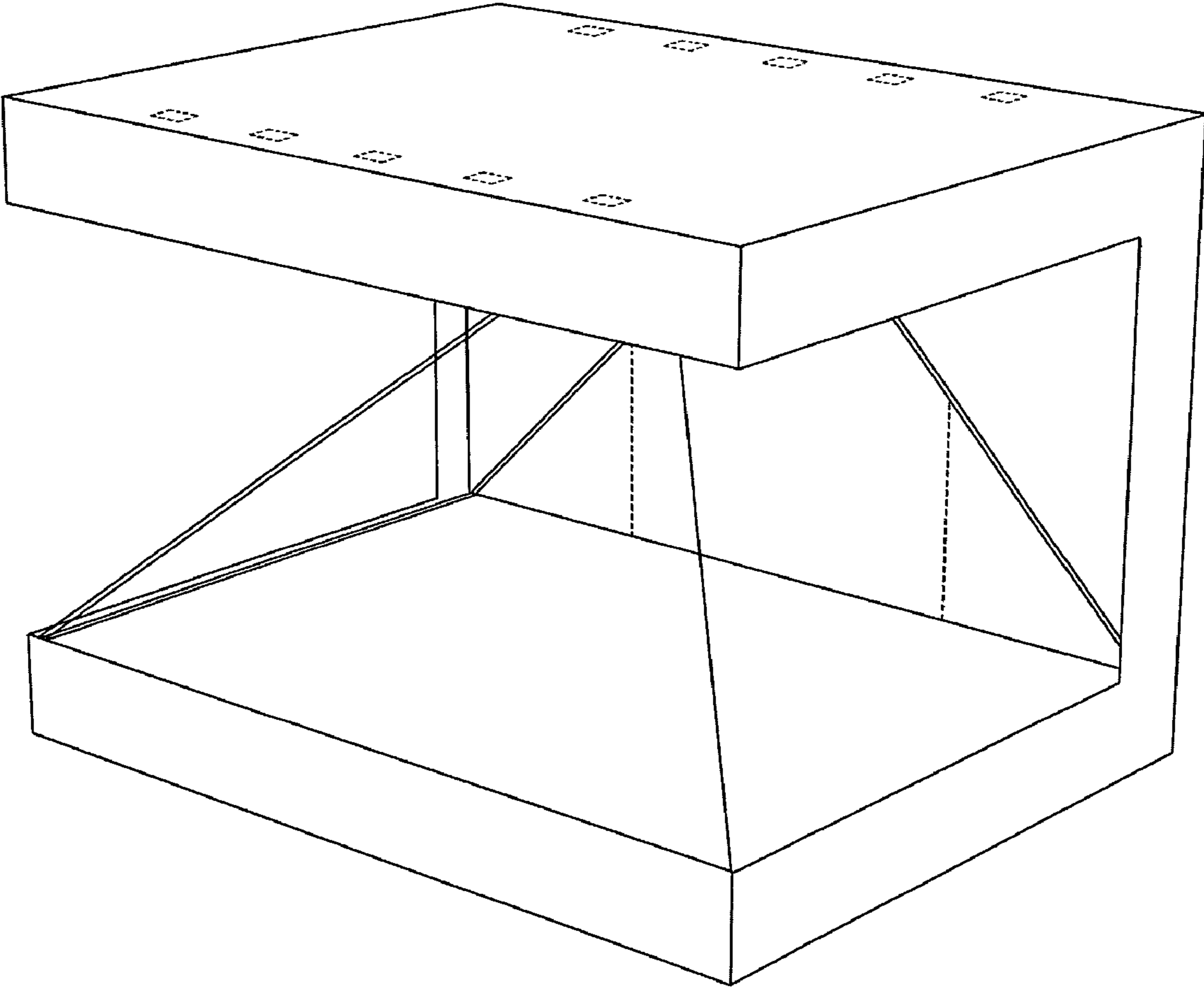


FIG. 1

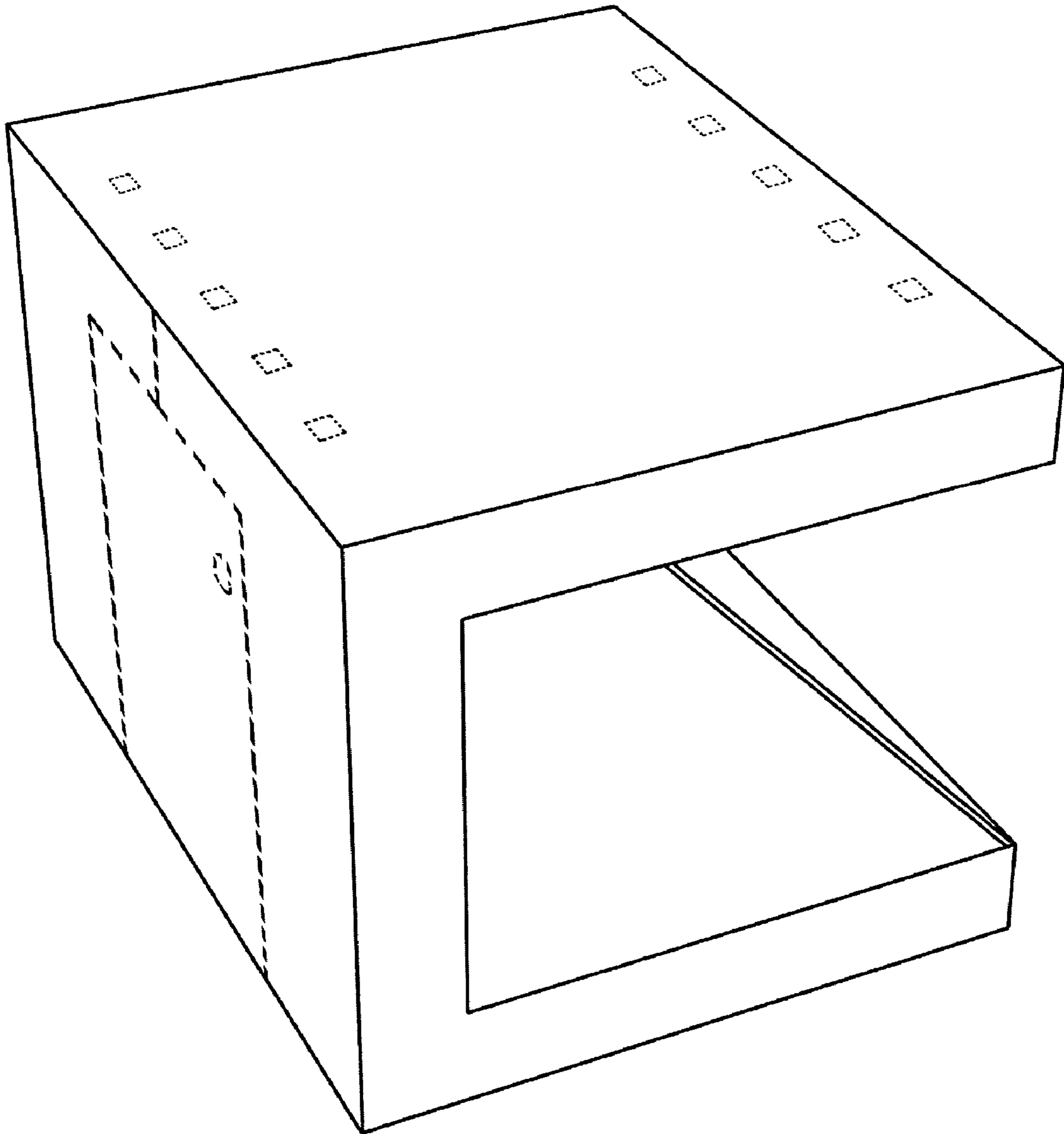


FIG. 2

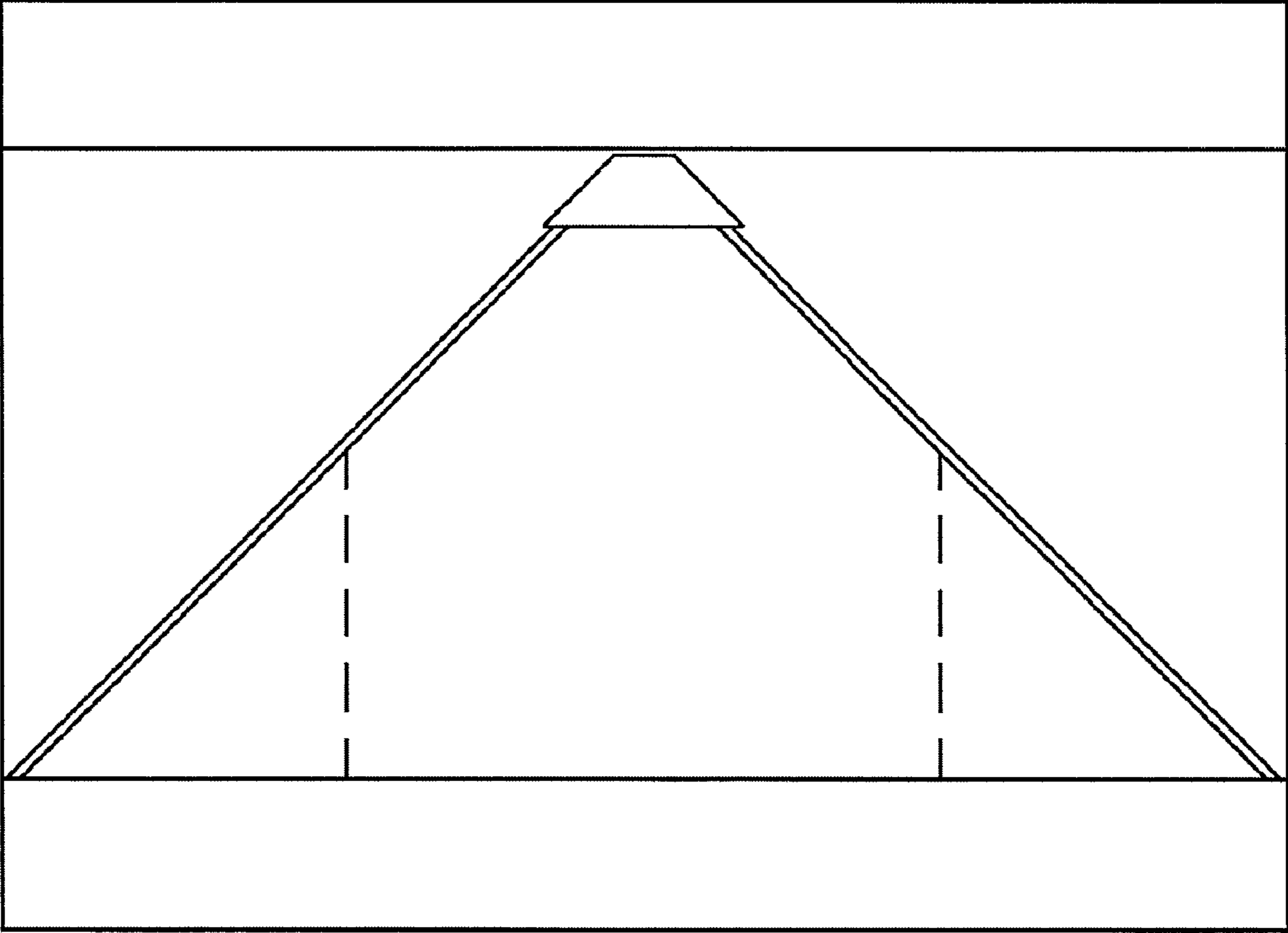


FIG. 3

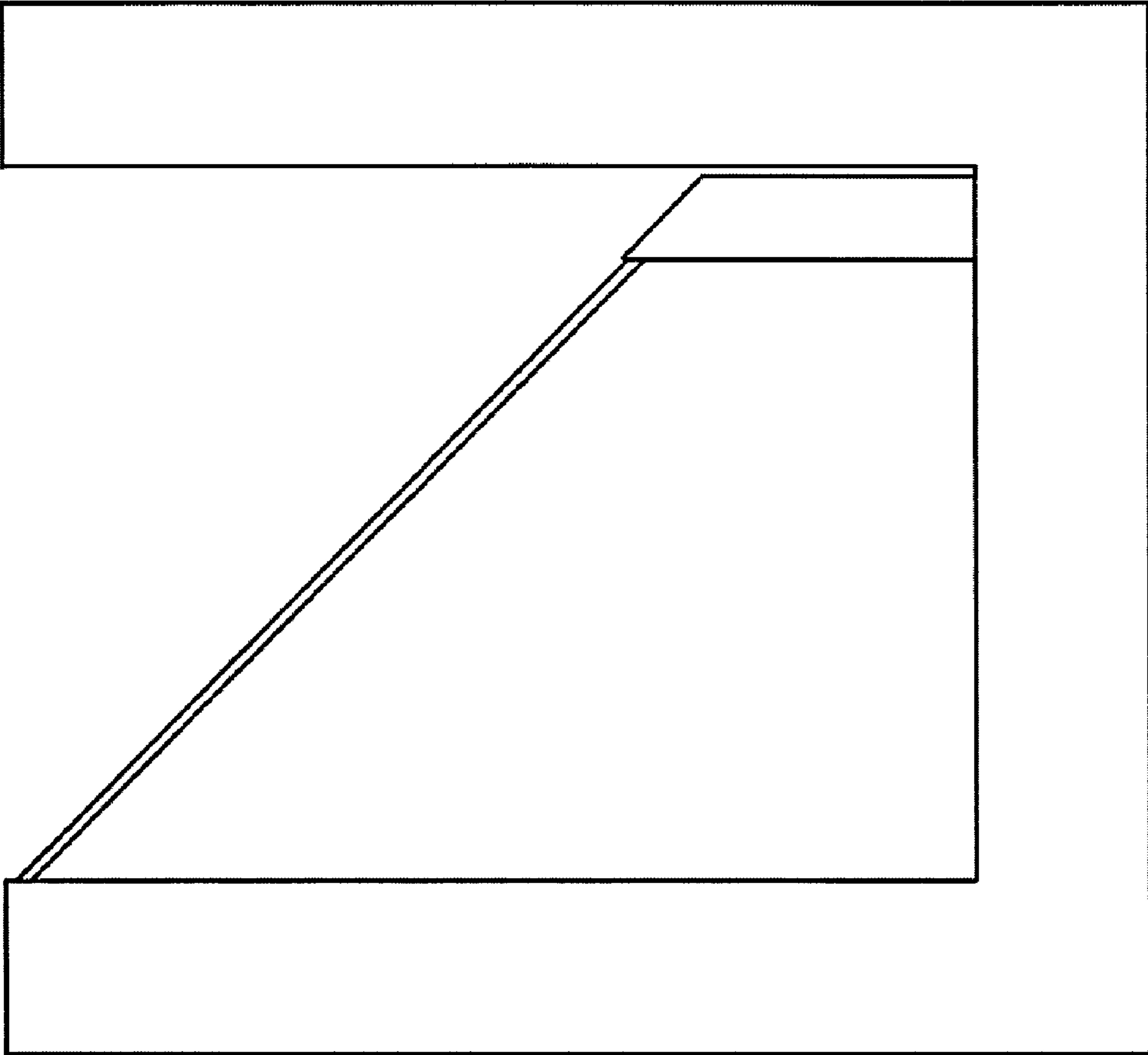


FIG. 4